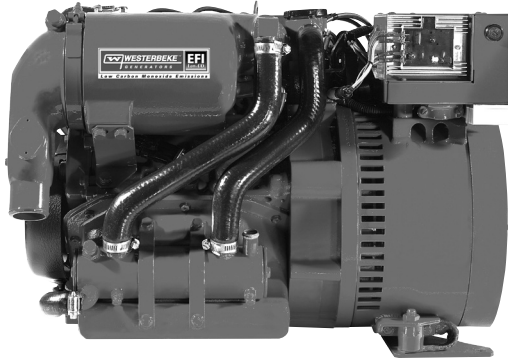
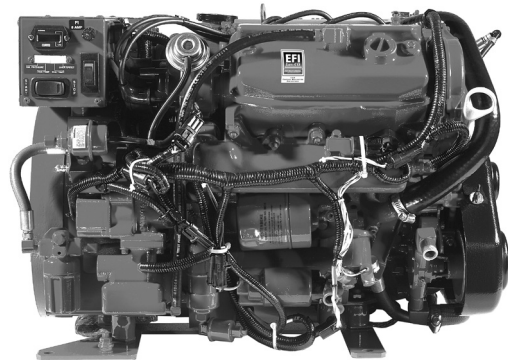




The First EFI Low-CO Generators



6.5 SBCG Marine Gasoline Generator



6.5 SBCG Marine Gasoline Generator

A Leader in Technology

Westerbeke is the first company to bring constant speed electronic fuel injected (EFI) generators to the marine market as well as the first low carbon monoxide generators.

EFI & Electronic Speed Control

The 6.5 SBCG, 60Hz (5.4 SBCG, 50Hz) “low-profile” generator features electronic fuel injection providing optimum fuel efficiency, easy starting and improved reliability. In conjunction with EFI, electronic speed control (via electronic governor) maintains the engine at a constant speed (precise frequency regulation) and eliminates “bogging down” when load is applied.

Smooth, Quiet & Compact

The 6.5 SBCG has one of the smallest envelopes available for a gasoline generator with its power rating. Operating with 3-cylinders and a balance shaft that virtually eliminates vibration, the generator is smooth running and very quiet at an electronically controlled 1800 or 1500-rpm.

Durable & Reliable

The 6.5 SBCG uses a heavy duty industrial base engine for long lasting service. The unit also operates at 28% of its maximum engine speed, so the owner can expect more durability and reliability compared with competing 3000 and 3600-rpm units running near maximum engine speed.

Westerbeke EFI, low-CO gensets are designed to operate in extreme ambient temperatures and incorporate a returnless fuel system to help eliminate fuel vapor-lock.

Five Year Limited Warranty

The 6.5 SBCG is backed by Westerbeke’s 5-year limited warranty. The presence of Westerbeke in over 65 countries around the world provides customers with easy access to parts, service and technical support. Established in 1937, Westerbeke is committed to providing its customers with quality products and unequalled after sales support.

Standard Features

- Simple, “one touch” start/stop control panel with running hour meter and LED lights
- Electronic fuel injection
- Returnless fuel system
- Electronic governing
- Safety shut-downs — overspeed, low oil pressure, high exhaust temperature
- Fresh water cooling and coolant recovery tank
- Field convertible to 50 or 60Hz
- A.C. circuit breaker
- 12 amp battery charger
- 90° water injected exhaust elbow
- Belt-driven, raw water pump
- Vibration isolators
- Lube oil drain hose
- Belt guard
- Operators’ manual and parts list
- Meets U.S.C.G. regulation 33CFR-183

Generator Design

DESIGN: Brushless, four pole, revolving field.
VOLTAGE REGULATION: Standard +/- 5% no load to full load.
FREQUENCY REGULATION: .5 Hz (1%) no load to full load.
INSULATION: Class "H" as defined by NEMA MG1-1.66.

TEMPERATURE RISE: Within NEMA MG1-22.40 operating at full load.
COOLING: Cast centrifugal blower, direct connected.
ELECTROMAGNETIC INTERFERENCE LEVEL: Exceeds requirements for most marine radio-telephones and standard TV's.

Model	Electrical Characteristics					Ratings		Engine	
	Volts	Amps	Hertz	Phase	Wire	Power Factor	KW	RPM	Start
6.5 SBCG-614	120	54.1	60	1	4	1.0	6.5	1800	Remote
5.4 SBCG-514	230	23.4	50	1	4	1.0	5.4	1500	Remote

Specifications

Number of cylinders	3 Cylinder, vertical in-line
Type	4 cycle
Displacement	40.3 cu. in. (.66 liter)
Bore and stroke	2.56" x 2.61" (65.0mm x 66.3mm)
Compression ratio	9.8:1
Rated RPM	60 Hz-1800 rpm 50 Hz-1500 rpm
HP @ 1800/1500 rpm	10.0/8.5 HP
Maximum angle of operation	Not to exceed 25° in all directions
Exhaust elbow conn.	2.0" OD (50.8mm)
Raw water conn.	1.0" OD (25.4mm)
Dry weight	381 lbs (172.8 kg)
Combustion system	Semi-spherical type
Aspiration	Naturally aspirated
Lubrication system	Forced pump
Cooling system	3.5 quarts (3.3 liter)
Full load fuel consumption	.7 GPH (2.6 LPH) @ 1800 rpm
75% load fuel consumption	.6 GPH (2.3 LPH) @ 1500 rpm
Governor	Electronic
Lube oil filter	Full flow, spin on element
Lubricant capacity	3.0 quarts (2.8 liters)
Fuel transfer pump	Electric type

Fuel supply	.25" ID (6.35mm)
Starting motor	12 volt, 1.4kW
Battery charging	12 amps, integral electric type
Cold cranking amps	105 amps @ 70 degrees F
Electrical system	12 volts DC, negative ground

Construction-Engine Components

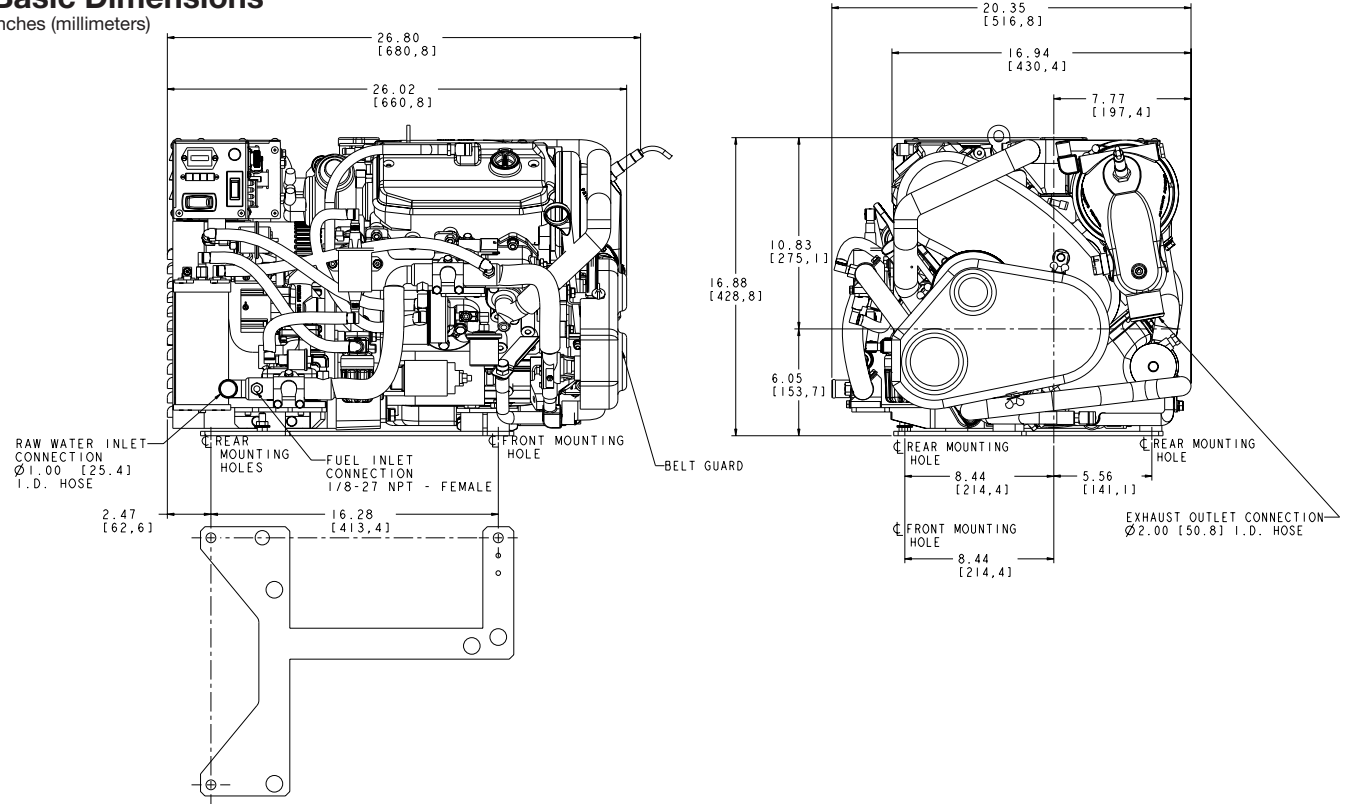
Cylinder head	Aluminum
Cylinder block	Cast iron
Crankshaft	Forged crankshaft, four main bearings
Valves	Overhead, rotating type
Fuel system	Throttle body E.F.I.
Cooling system	Fresh water-cooled with heat exchanger
Exhaust manifold	Cast aluminum, fresh water-cooled

Optional Equipment

- Remote start-stop panel
- Ship-shore switch
- Hydro-hush muffler and fittings
- Ship-shore switch
- "A" on-board spare parts kit; "B" extended cruising spare parts kit
- Anti-siphon valve for overboard cooling water discharge
- Technical Manual

Basic Dimensions

Inches (millimeters)



Drawings are for reference only and should not be used for installation. Detailed installation drawings are available upon request.