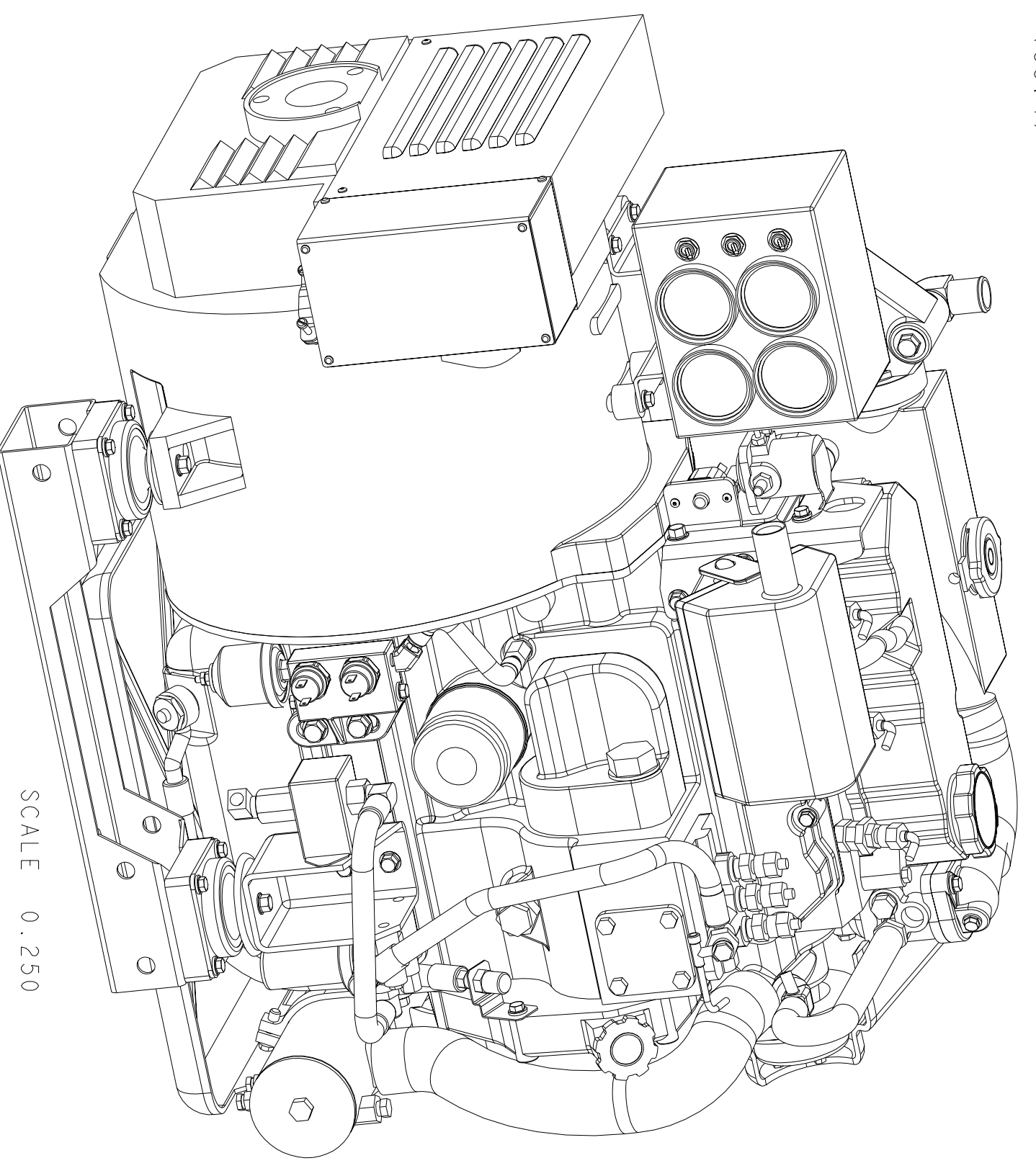
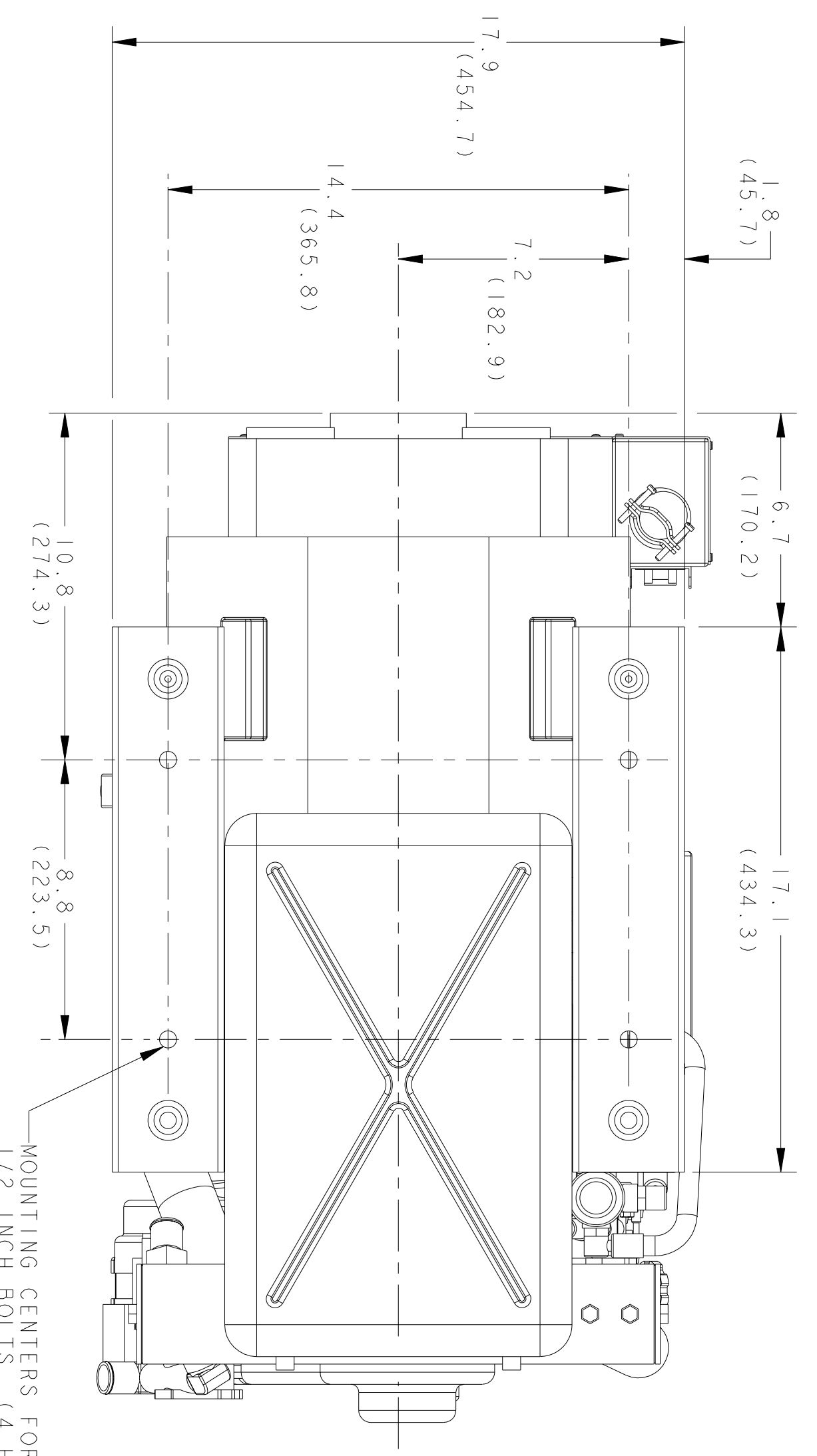
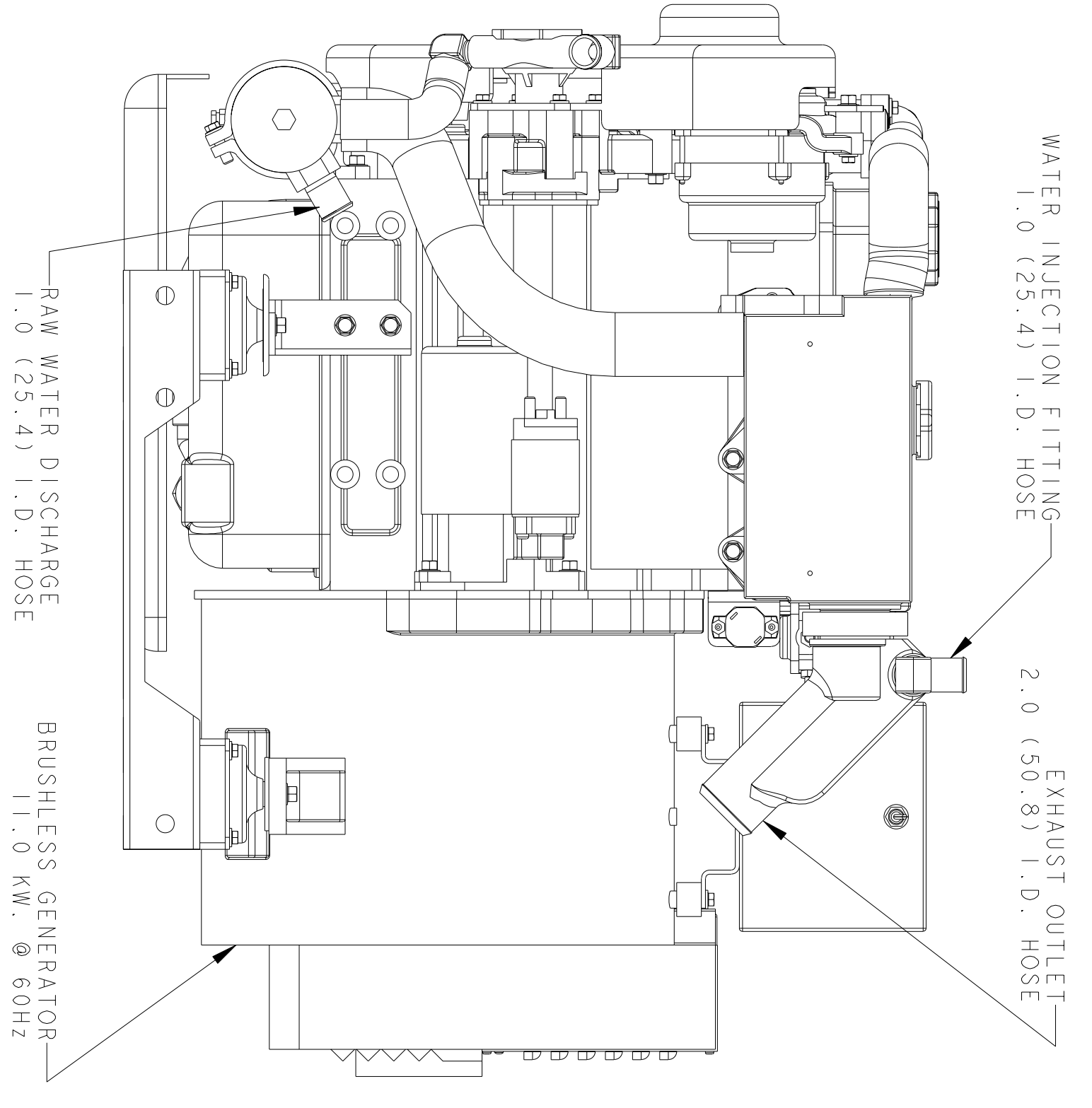
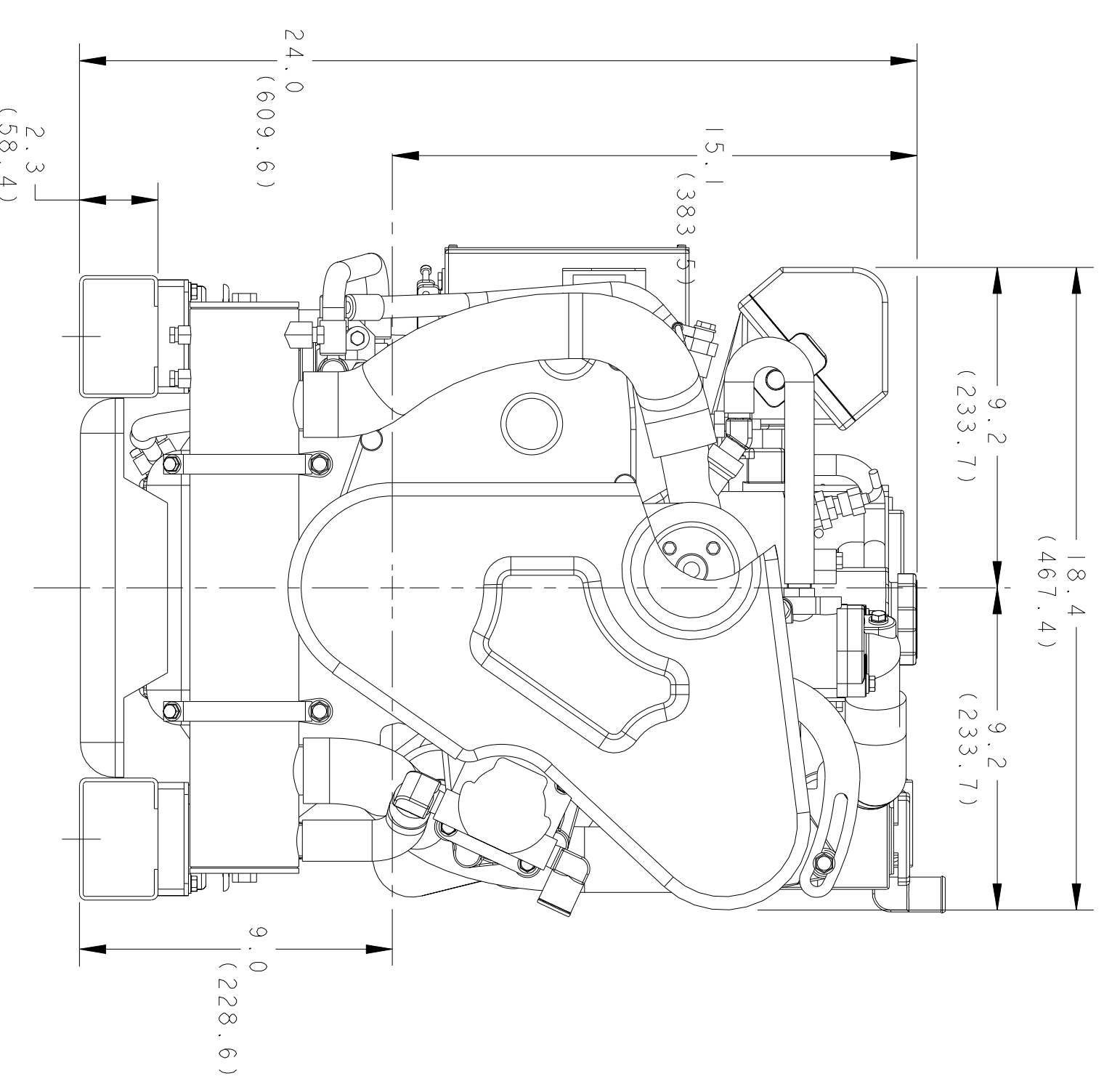
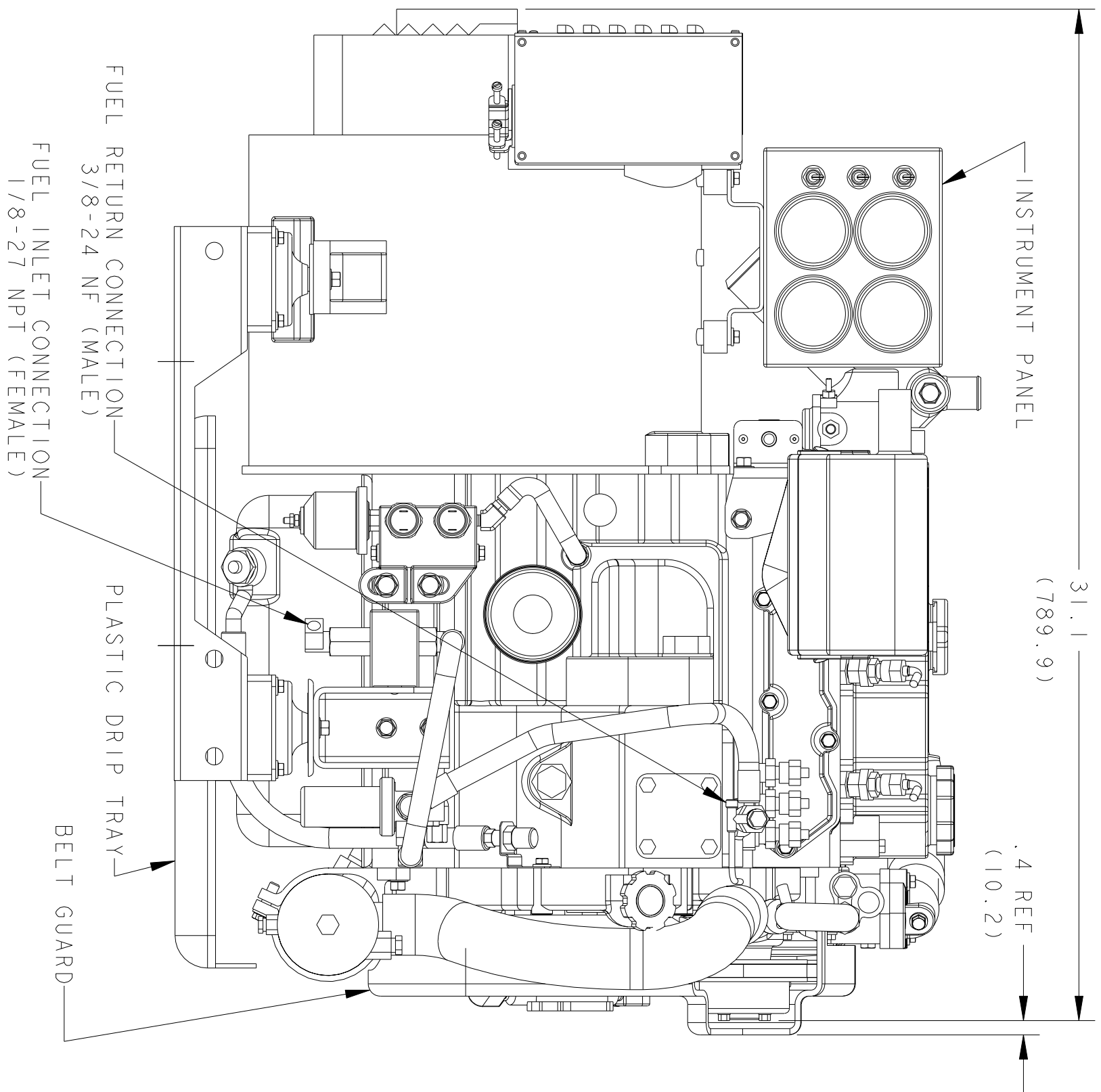
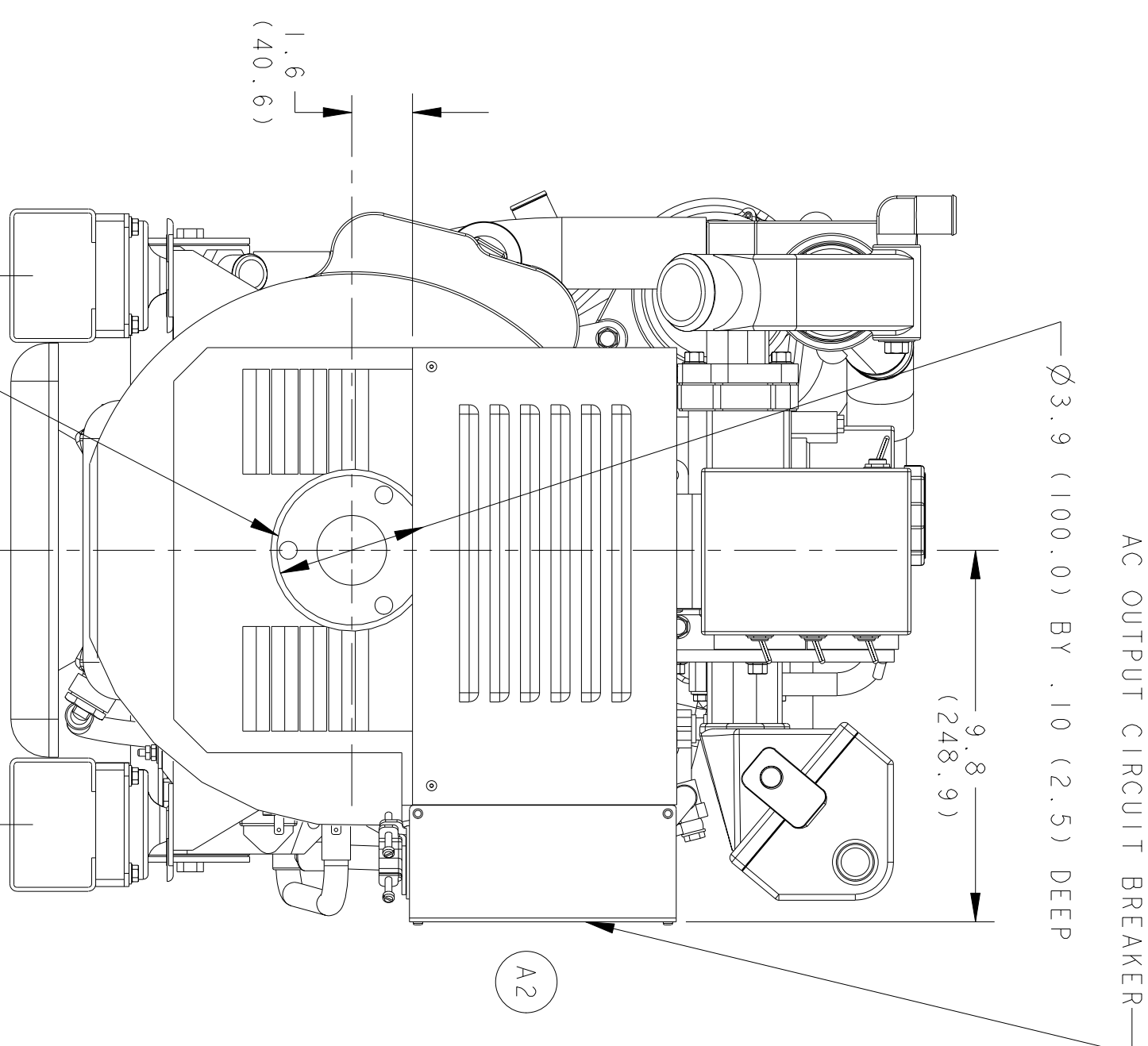
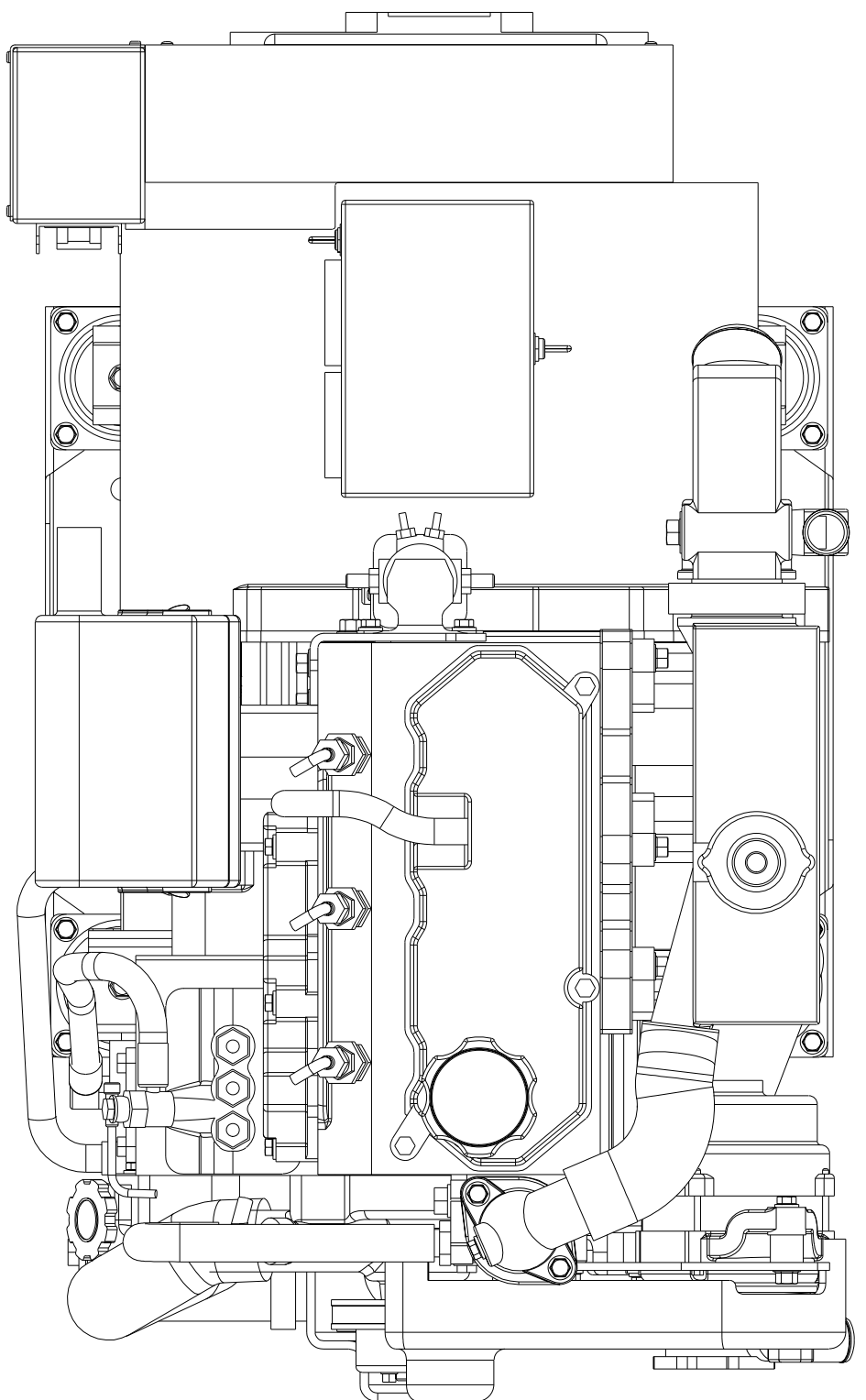


ECO NO.	DATE	REV.	REVISION RECORD	AUTH.	DR. BY
4364	1-11-2000	A	MODEL NUMBER 10 BTDA WAS 11 BTDA		
		2	REVISED BREAKER BOX MOUNTING		JM



MOUNTING CENTERS FOR
 1/2 INCH BOLTS. (4 HOLES)

MODEL WITH 50 AMP ALTERNATOR

TOLERANCES (UNLESS OTHERWISE NOTED)		WESTERBEKE CORPORATION AVON, MA., 02322	
INCHES XX : .02 X : .05 CAST : .03 ANGLES : .5° FINISH : S	MILLIMETERS X : .1 XX : .25	TITLE INSTALLATION DRAWING	(A1)
DIMENSIONS INCHES MILLIMETERS		BRNWN BY JM	DATE 9-18-99
SCALE 1/4		APPROVED BY	MATERIAL
SHT. 1 OF 1		DATE	DRAWING NUMBER 44197
		REC.	A