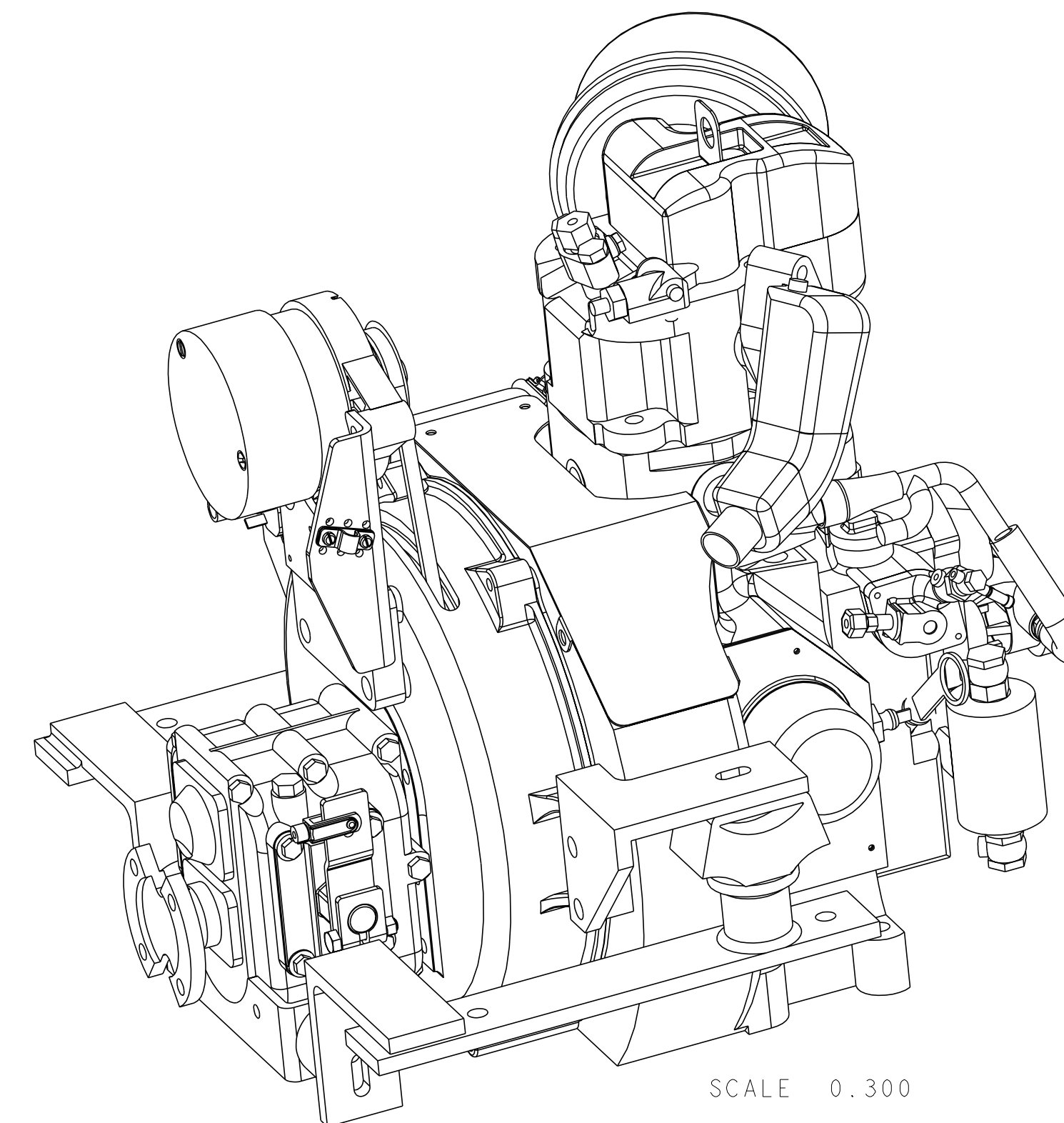
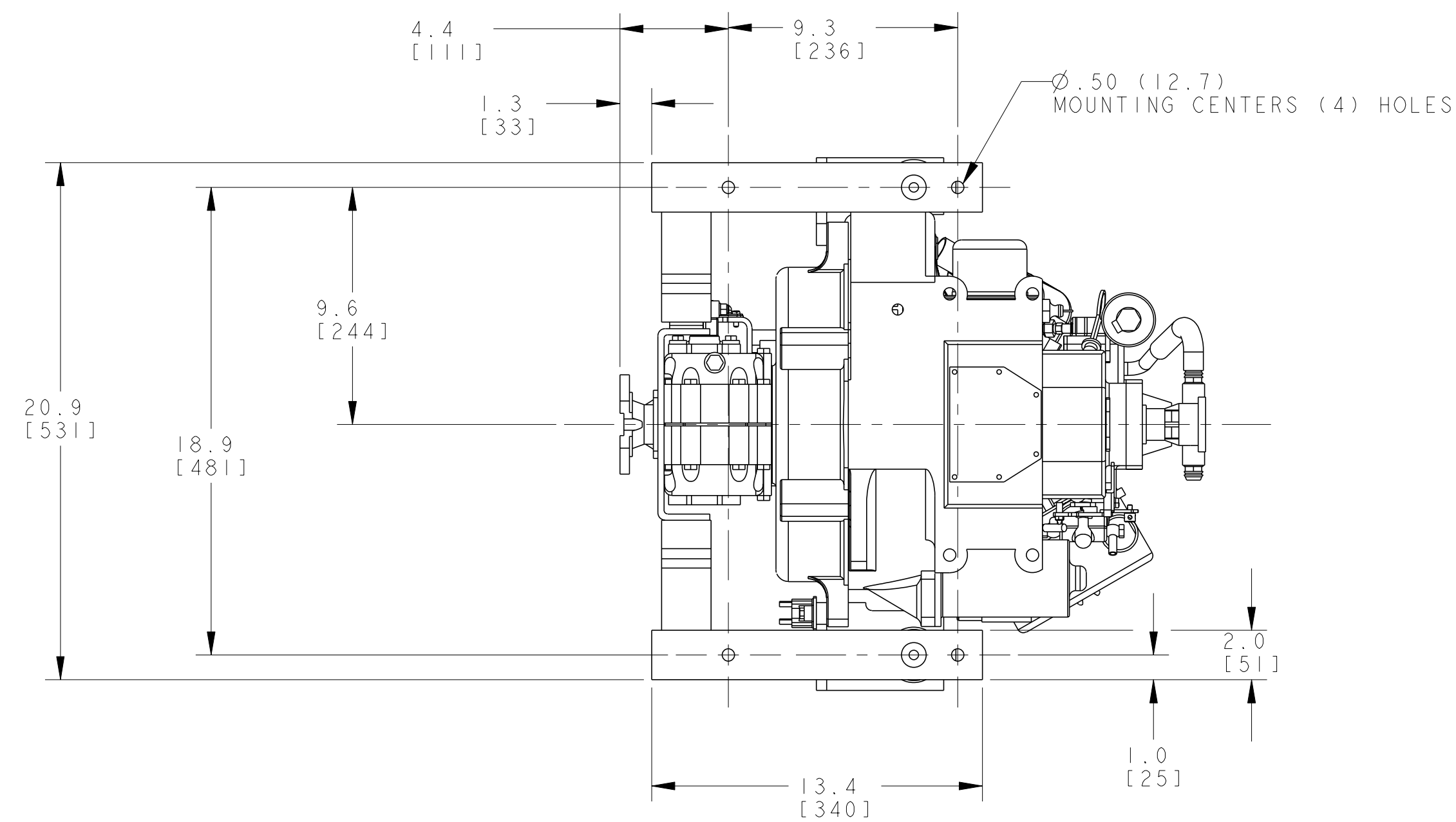
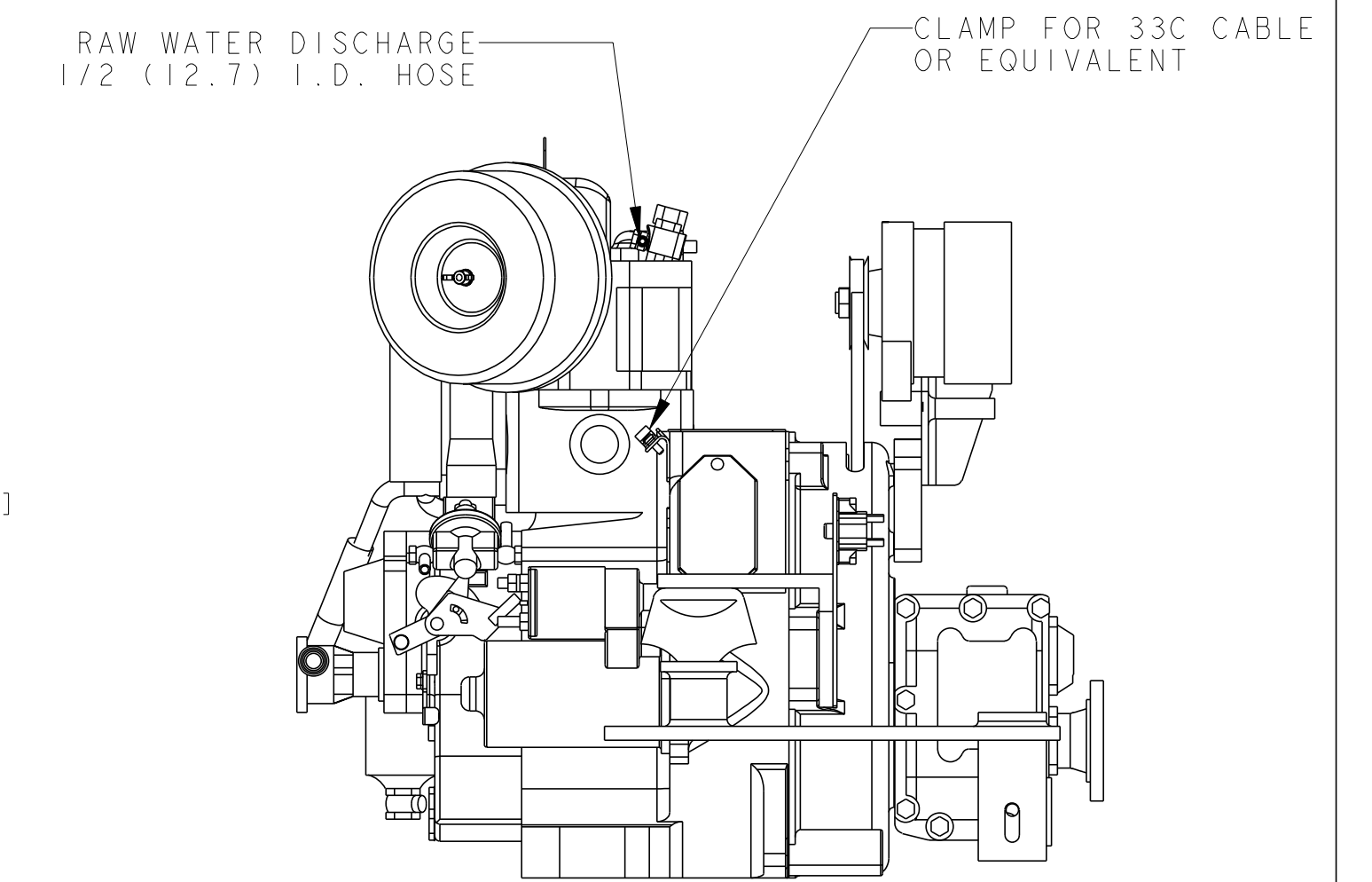
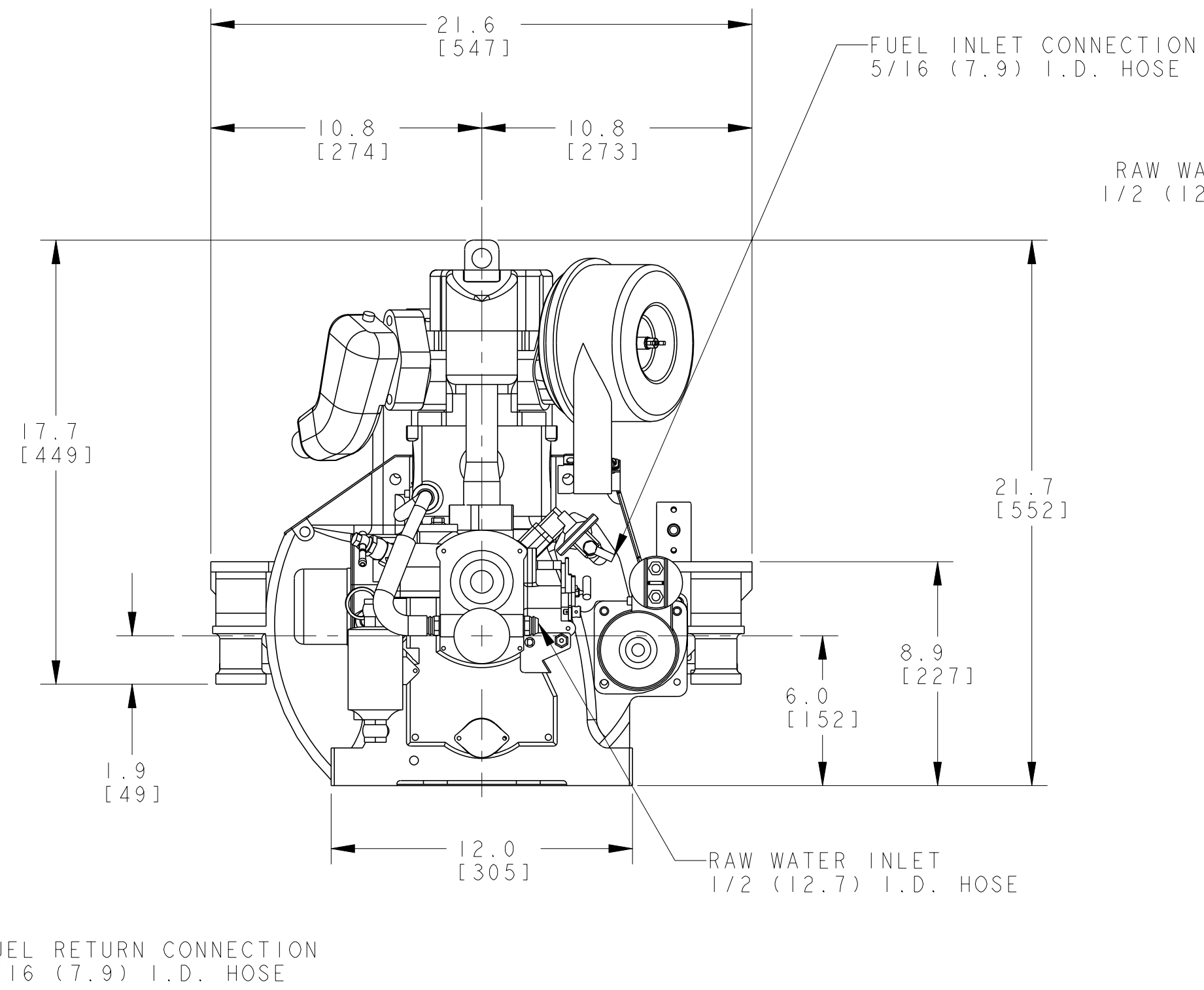
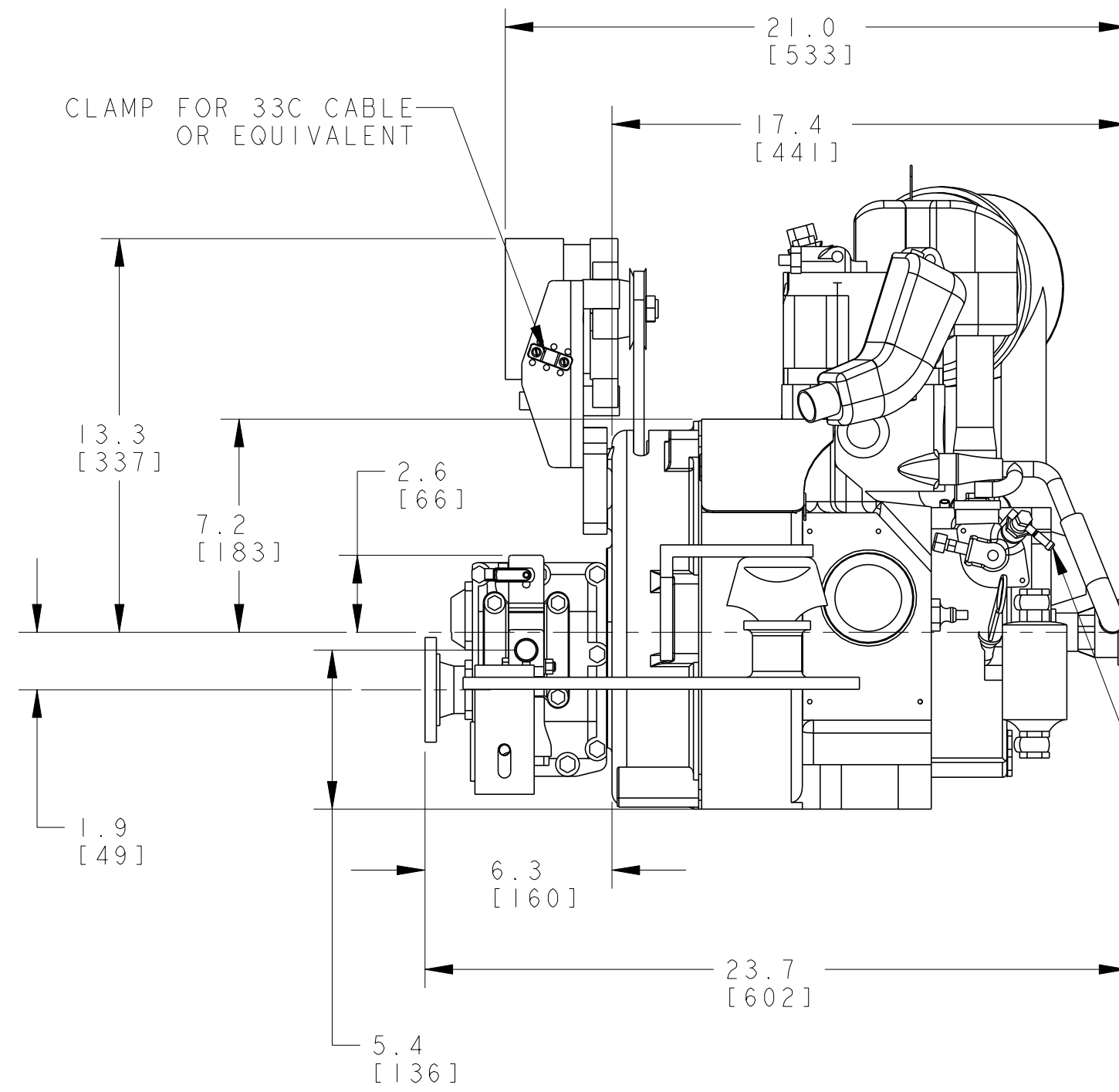
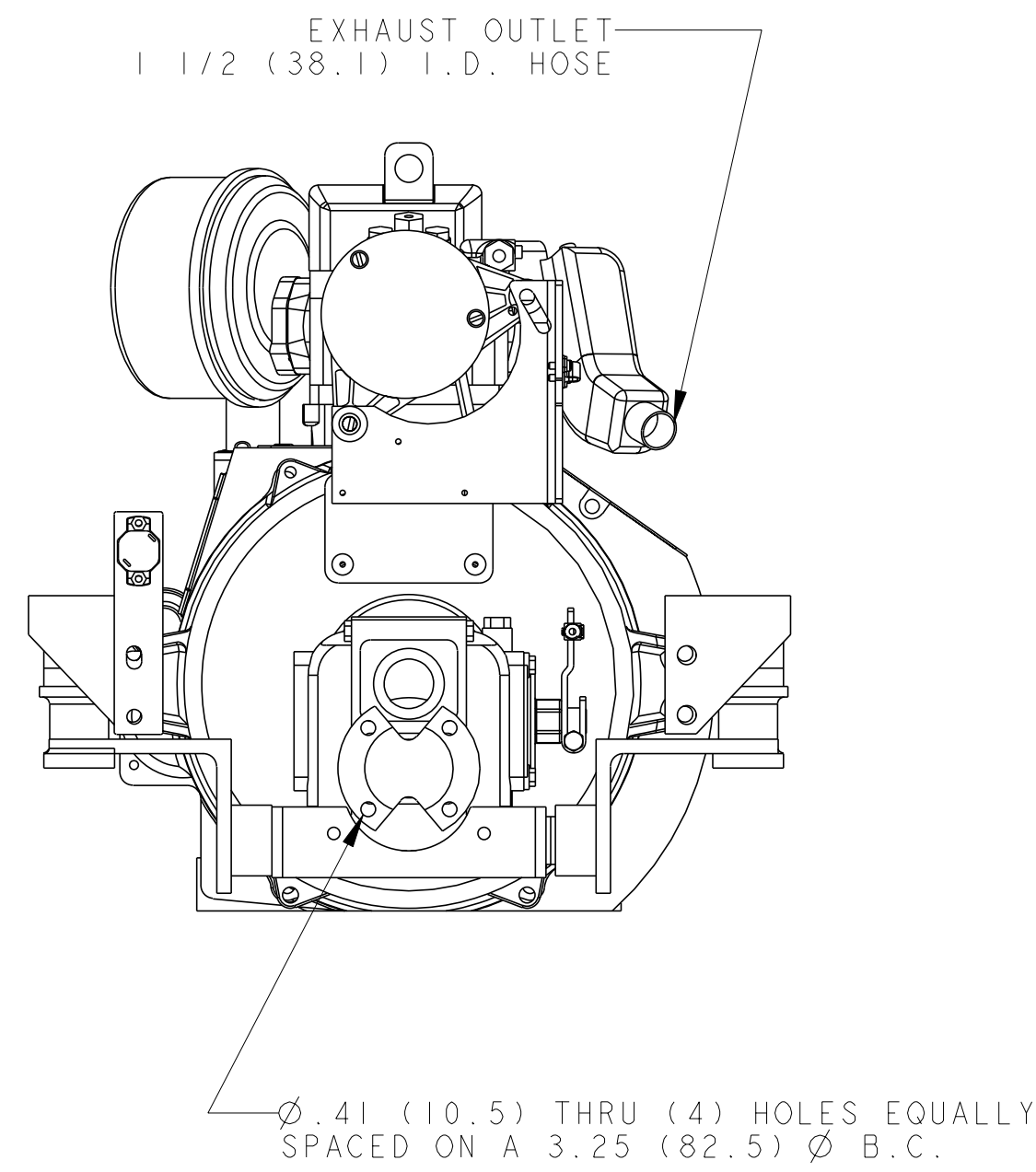
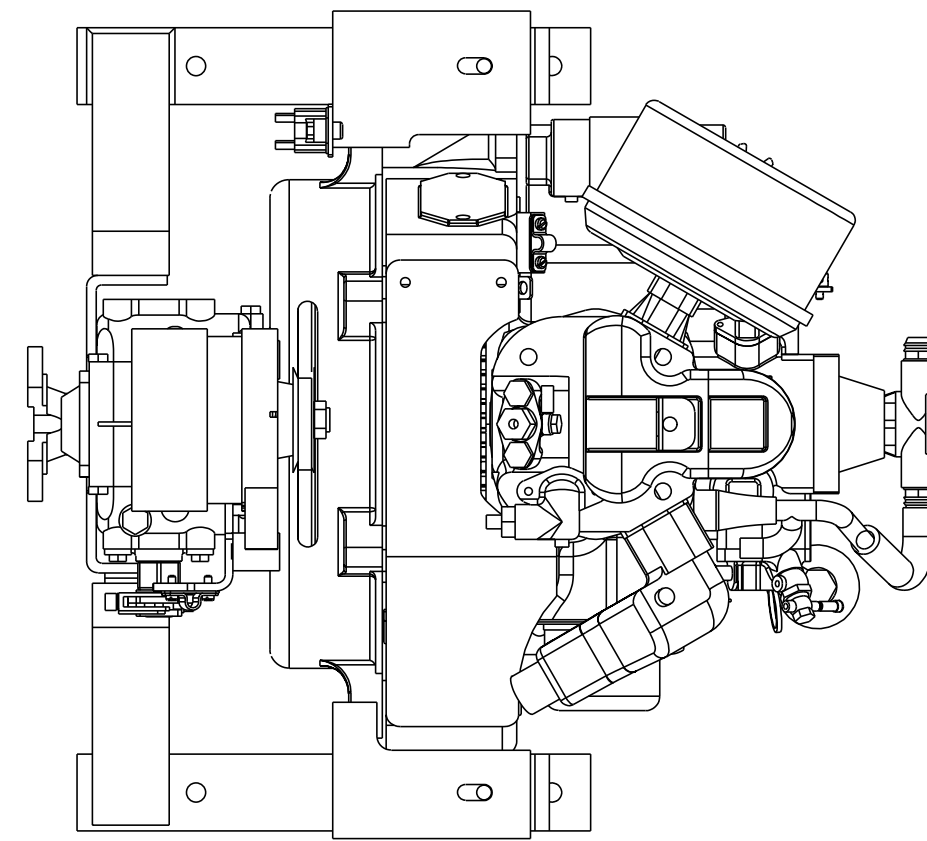


ECO NO.	DATE	REV.	REVISION RECORD	AUTH.	DR. BY
-	8/6 01	A	CHANGED TITLE 10A-1 TO 11A-1.		TSM



SCALE 0.300

TOLERANCES (UNLESS OTHERWISE NOTED)		WESTERBEKE CORPORATION AVON MA. 02322	
INCHES	MILLIMETERS	TITLE	
.XX : .02	X. :	INSTALLATION DRAWING	
.XXX : .005	.X :	11A ONE WITH HBW 40 TRANSMISSION (A)	
CAST : .03	.XX :	DRAWN BY	DATE
FINISH (S)		CHRIS SABINA	10/06/00
		APPROVED BY	DATE
DIMENSIONS		SCALE	SIZE
← INCHES →		0.200	D
← MILLIMETERS →			
(WHEN APPLICABLE)		SHT. 1 OF 1	DRAWING NUMBER
			44923
			REV.
			A