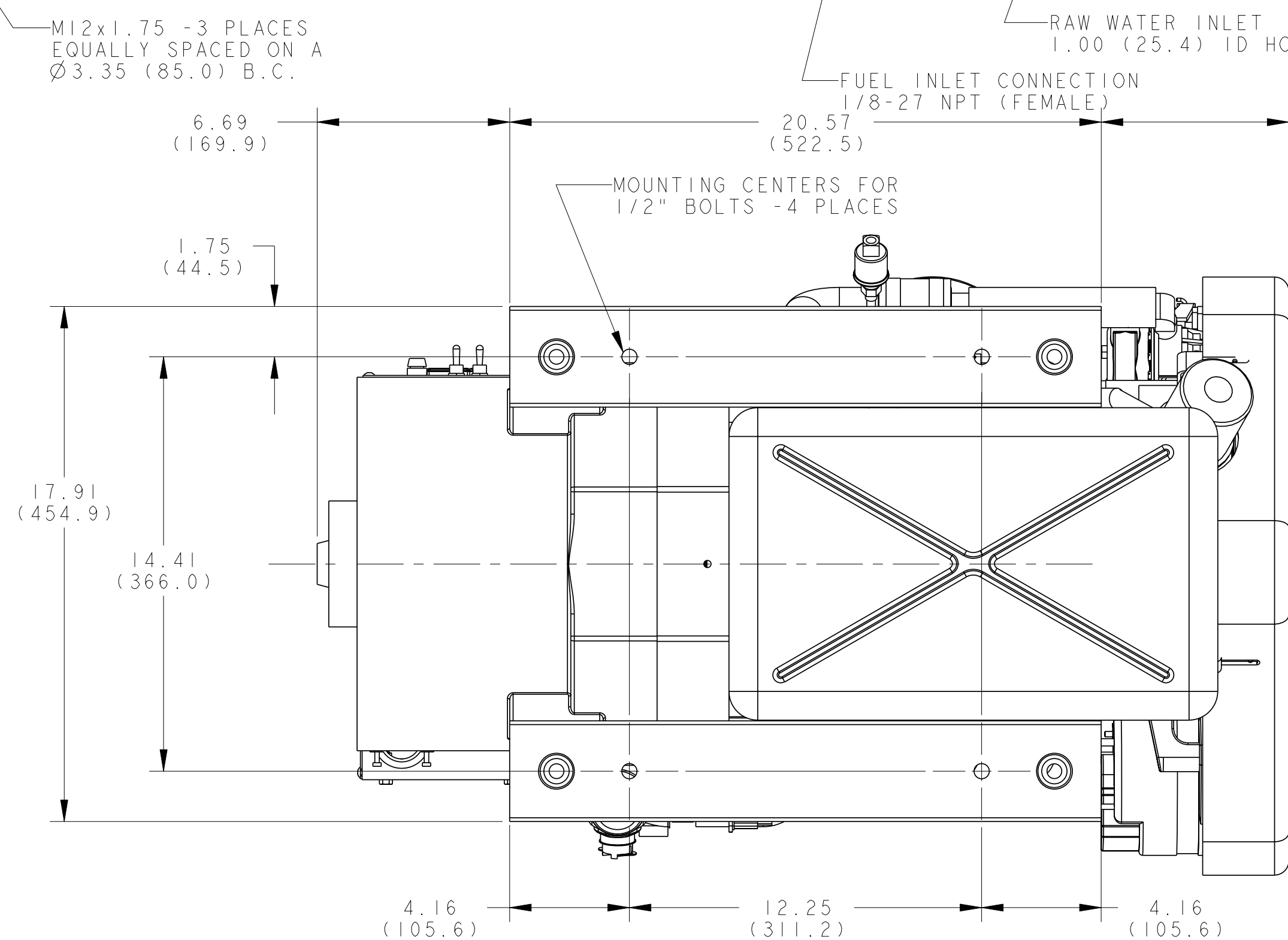
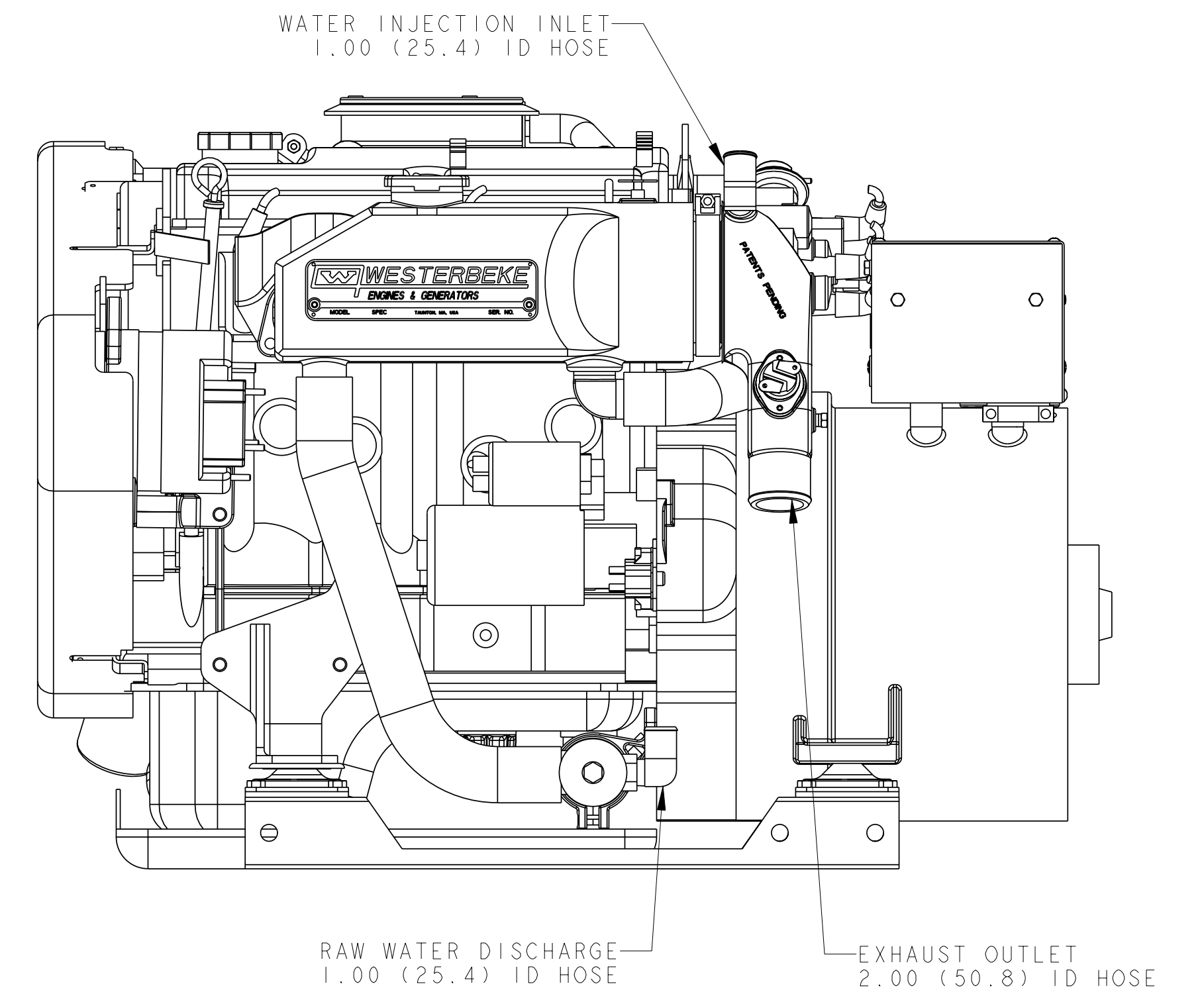
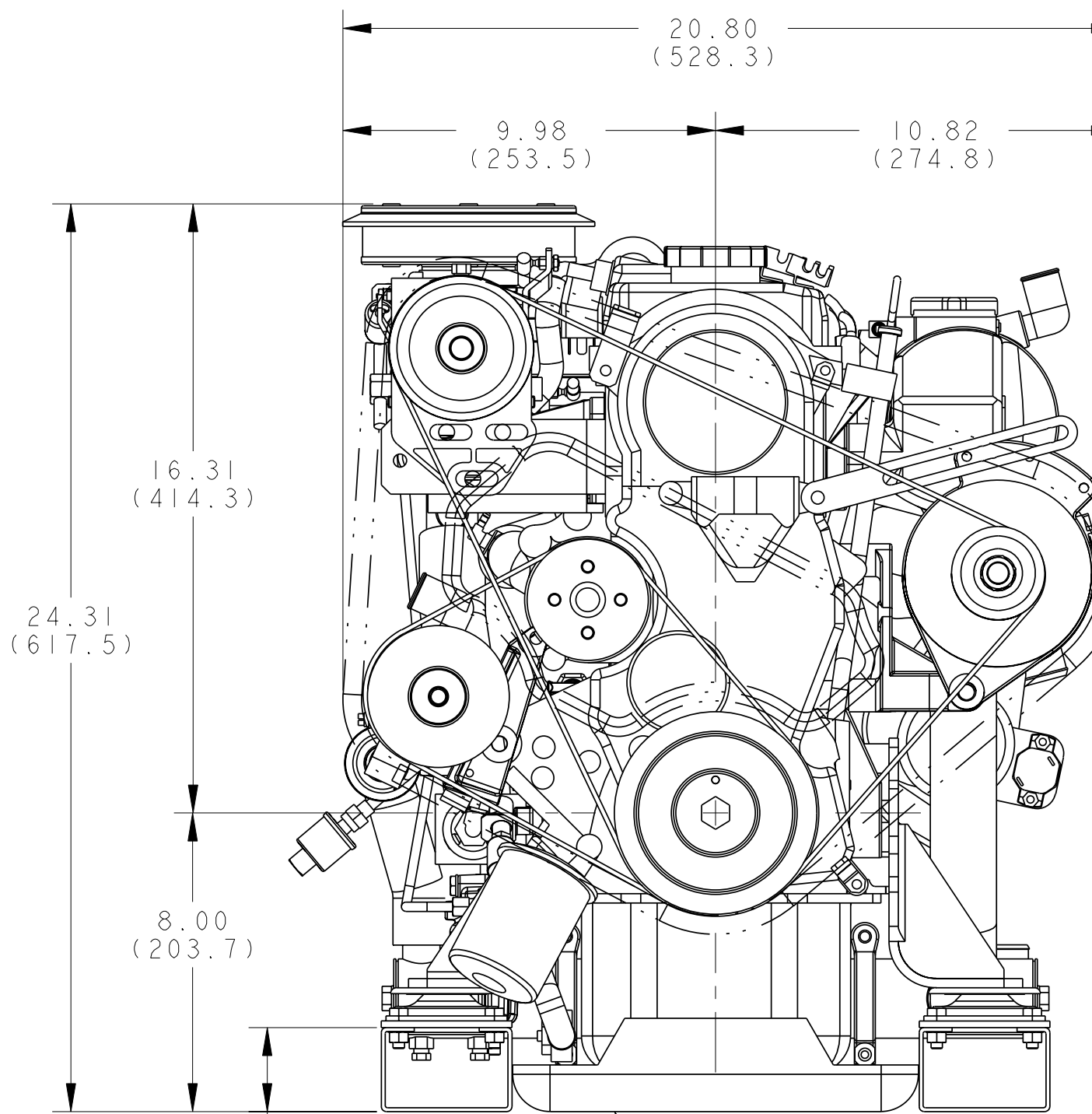
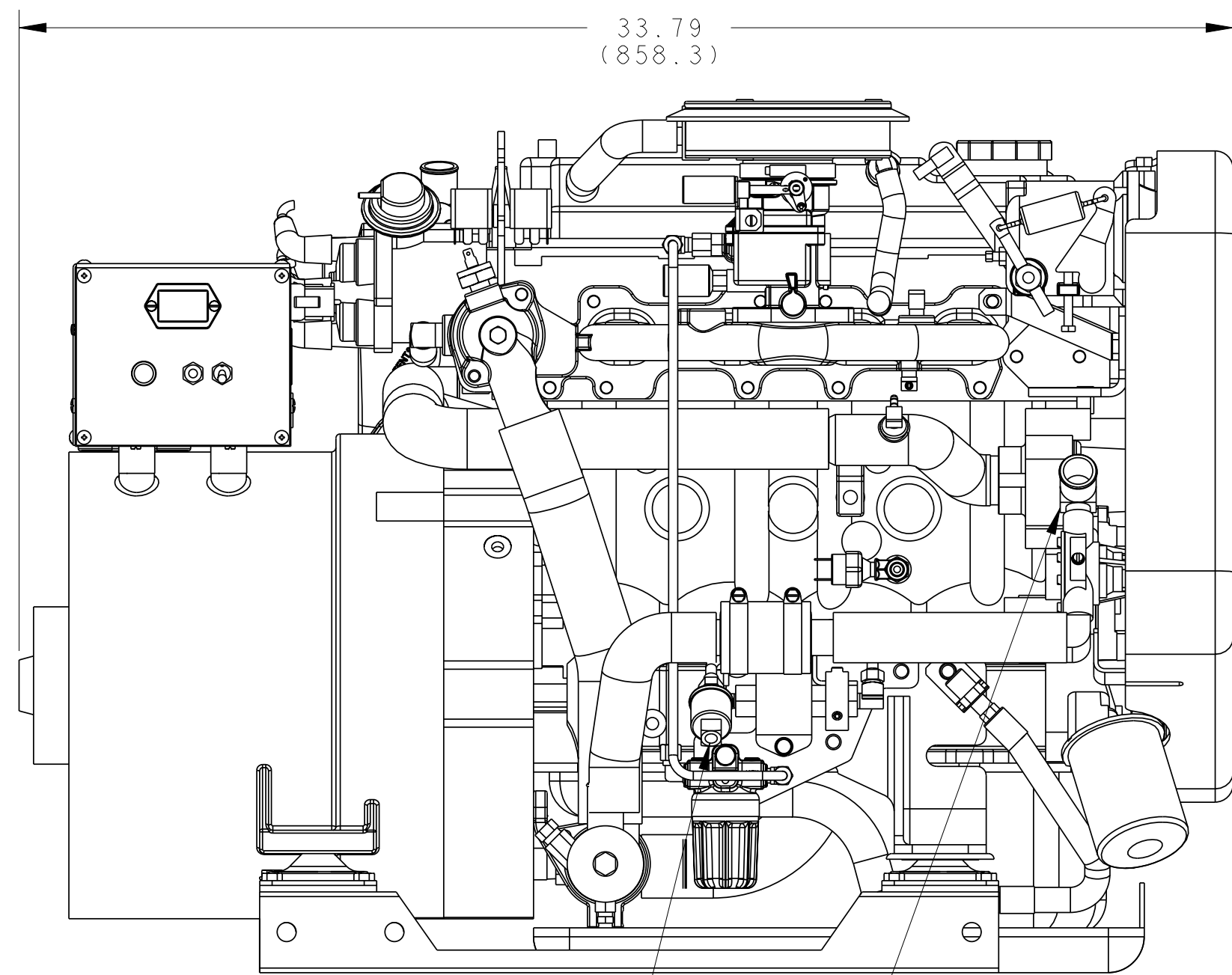
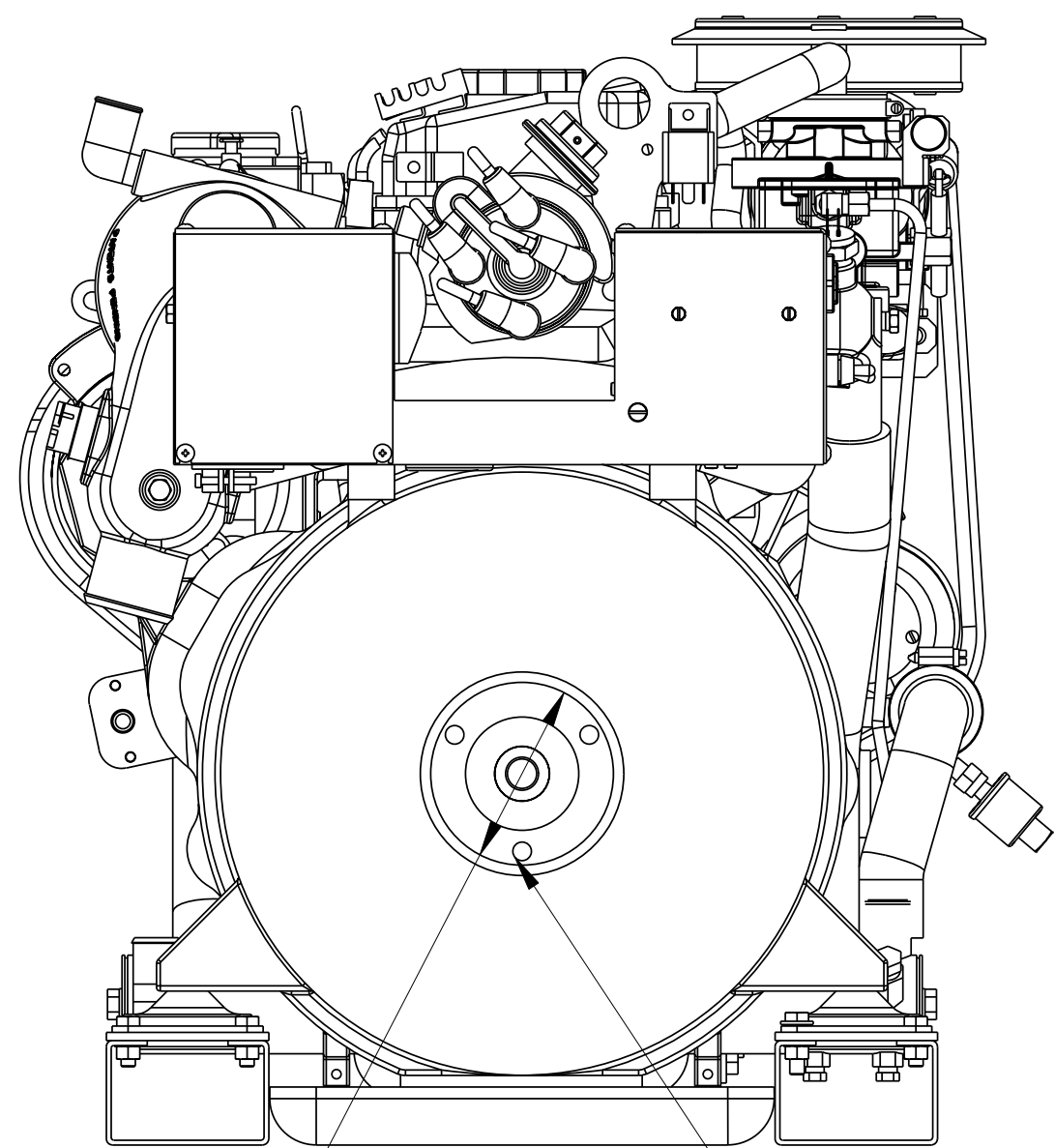
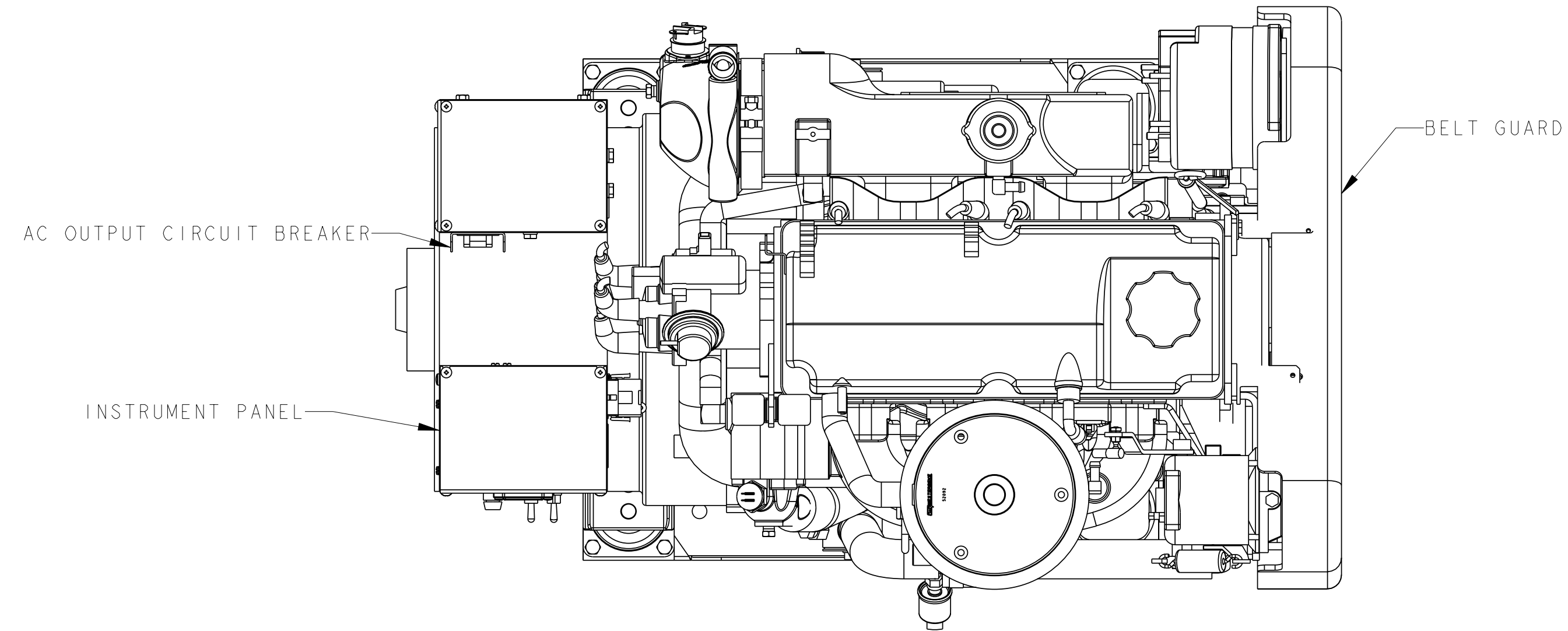


| ECO NO. | DATE | REV. | REVISION RECORD | AUTH. | DR. BY |
|---------|----------|------|------------------------------------|-------|--------|
| 5425 | 12-12-02 | A | ADDED PART #48076 TO ASSEMBLY | | BM |
| 6089 | 10-20-05 | B | UPDATE DRAWING WITH NEW CARBURETOR | | GA |



| TOLERANCES (UNLESS OTHERWISE NOTED) | | WESTERBEKE CORPORATION TAUNTON MA. 02780 | |
|--|-------------|---|-----------|
| INCHES | MILLIMETERS | TITLE | |
| .XX : .02 | .X : | INSTALLATION DRAWING | |
| .XXX : .005 | .X : | 10.0 KW BEG | |
| CAST : .03 | .XX : | | |
| ANGLES : 5° | | | |
| FINISH | | | |
| DIMENSIONS | | DRAWN BY | DATE |
| INCHES MILLIMETERS | | Jeremy Anderson | 02/Jul/01 |
| (WHEN APPLICABLE) | | APPROVED BY | DATE |
| | | | |
| SCALE 0.250 | SIZE | DRAWING NUMBER | REV. |
| SHT. 1 OF 1 | D | 46479 | B |