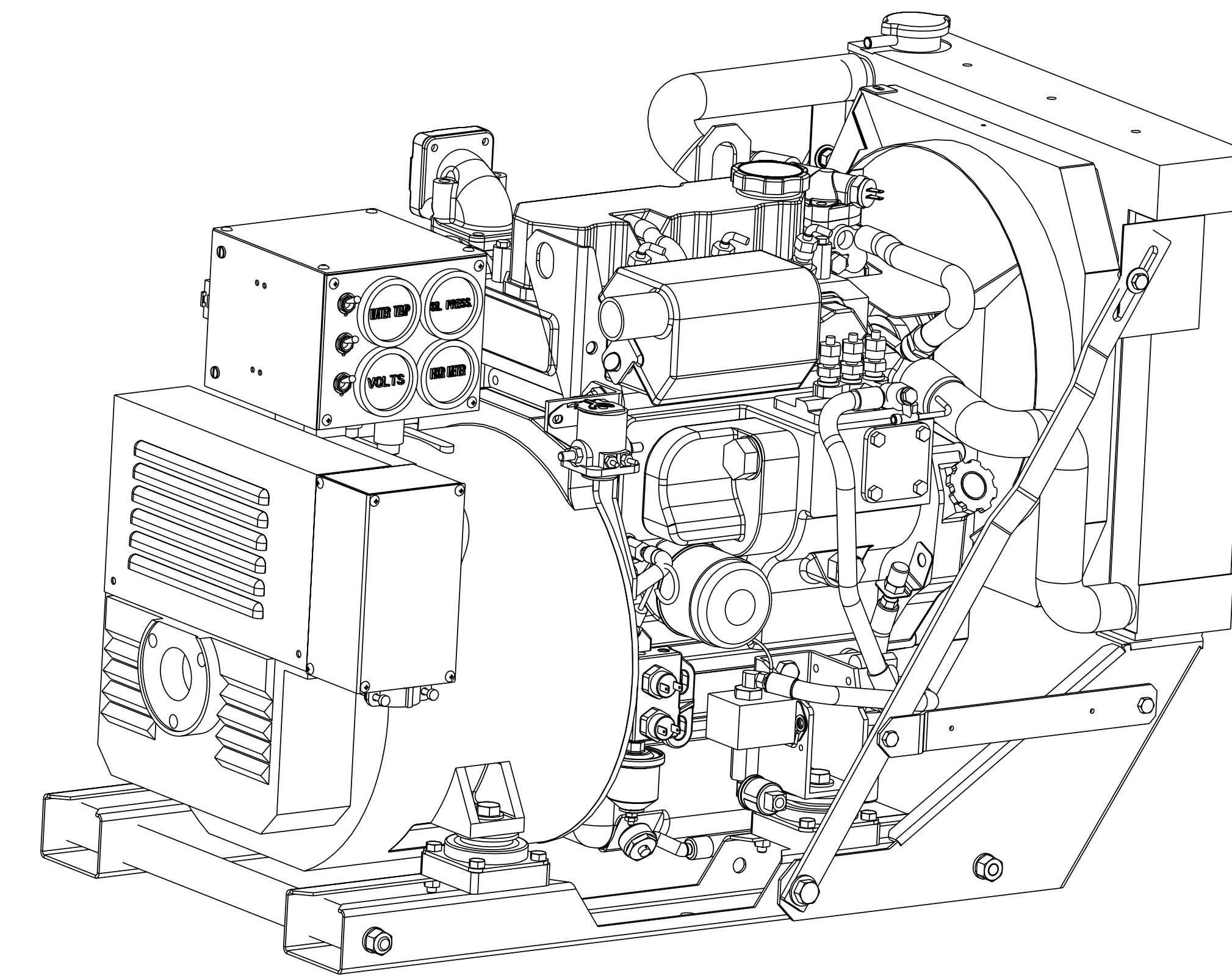
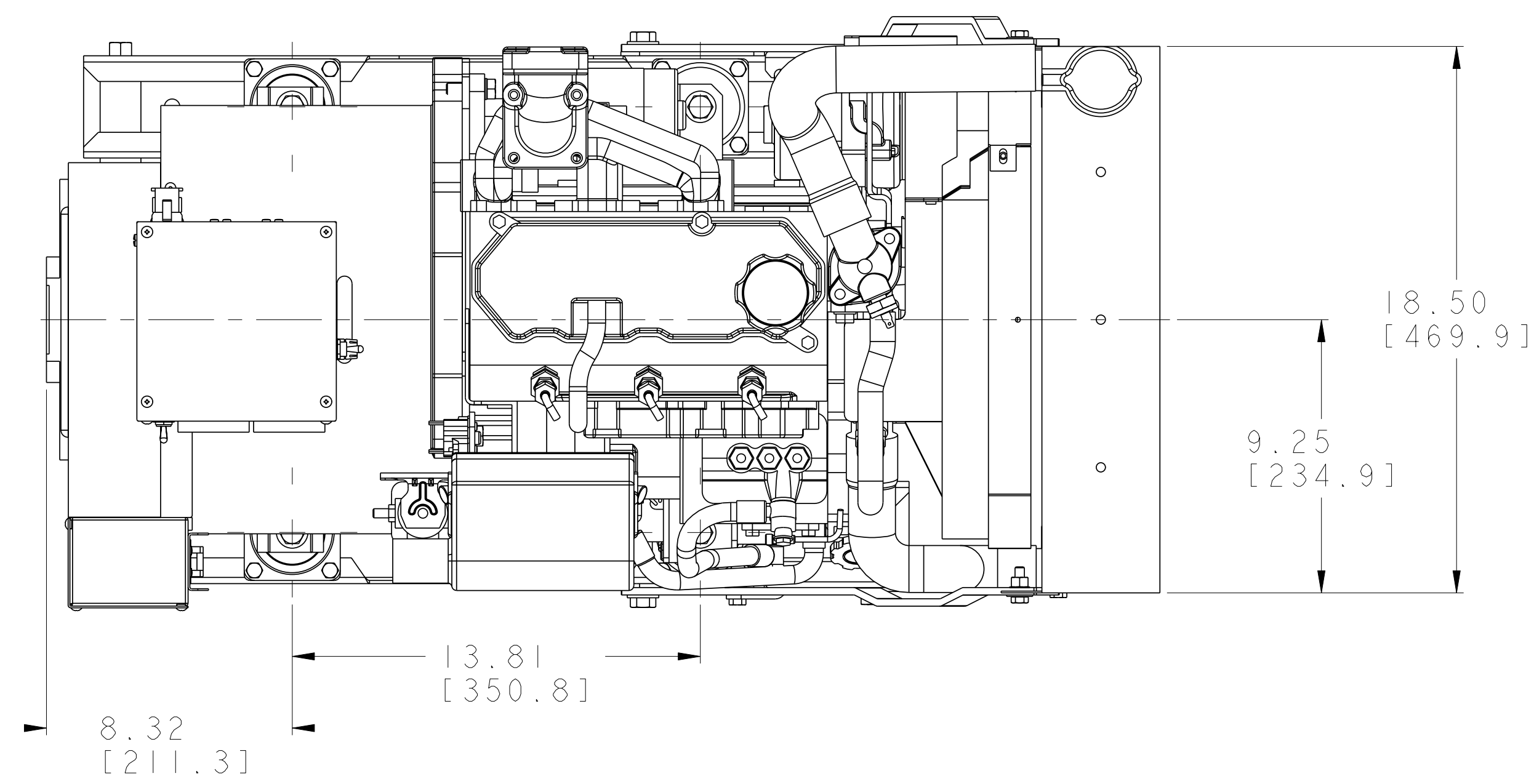


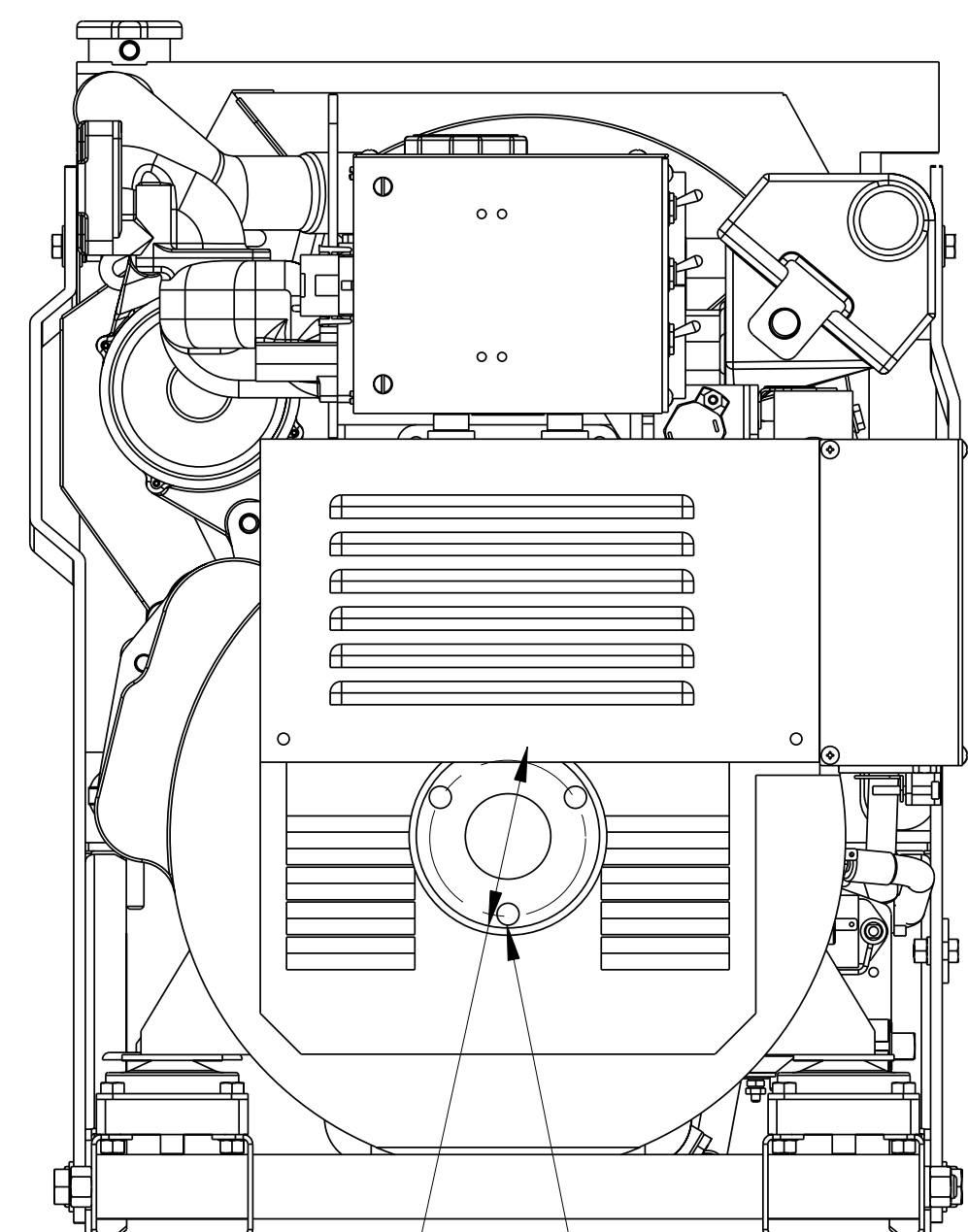
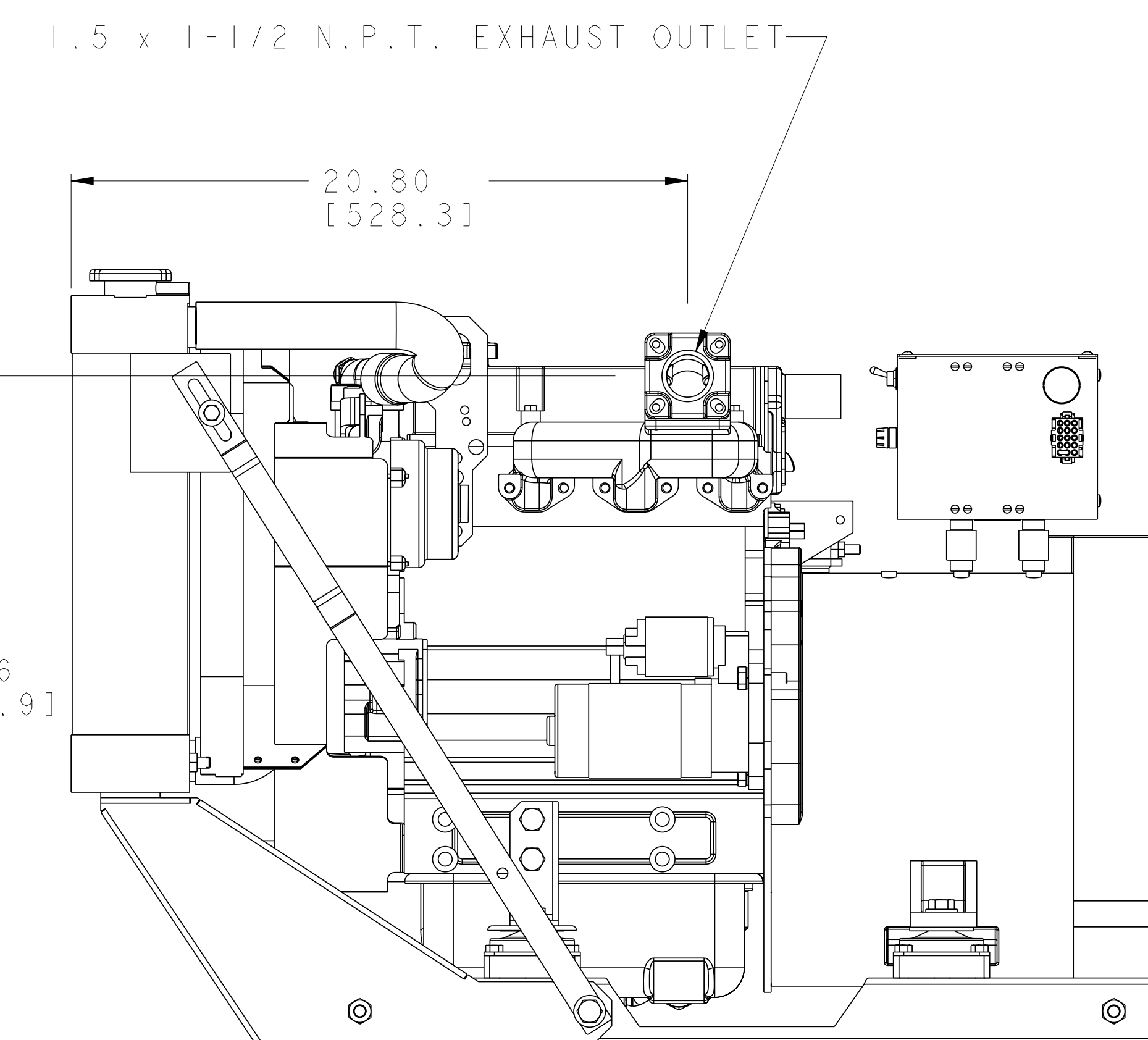
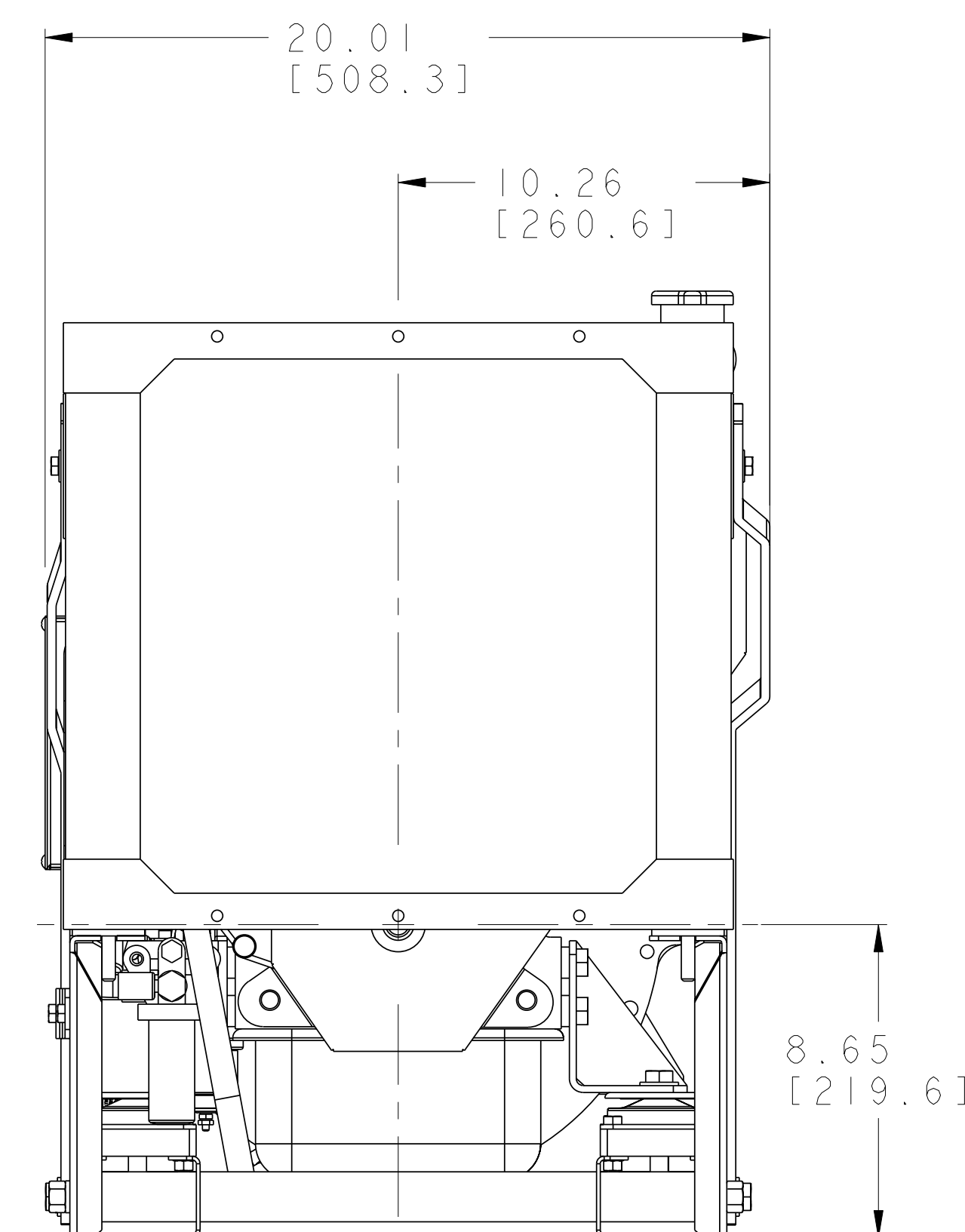
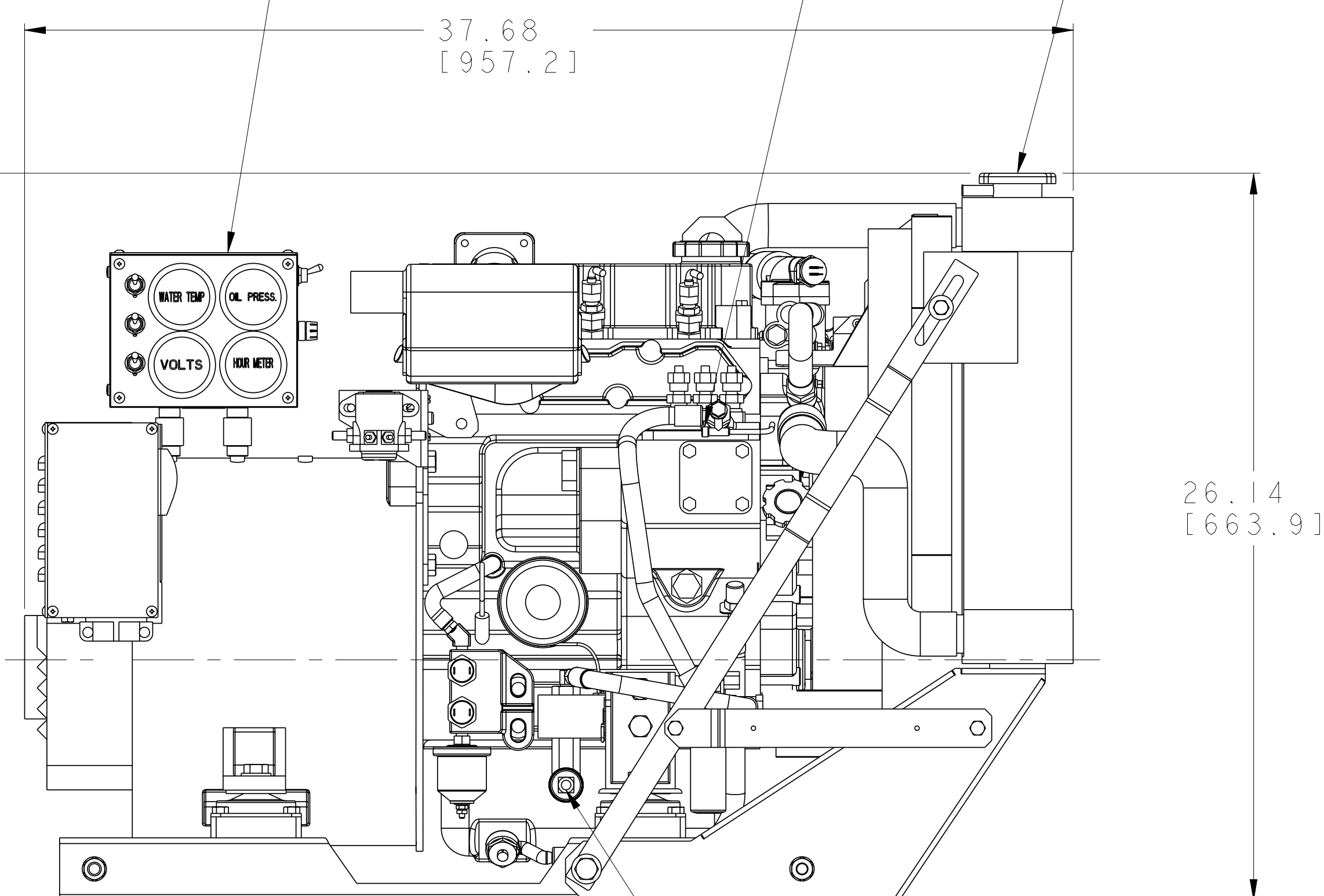
ECO NO.	DATE	REV.	REVISION RECORD	AUTH.	DR. BY
5325	12-22-03	A	UPDATE ASM TO REFLECT CURRENT BOM	BM	BM
5424	12-12-03	B	ADDED PART #48076 TO ASSEMBLY	BM	BM
6184	12-21-06	C	FIXED TITLE	GA	GA



SPECIAL FUEL RETURN CONNECTOR SUPPLIED - 1/4 INCH HOSE BARB

FILLER CAP (14 P.S.I.)

INSTRUMENT PANEL

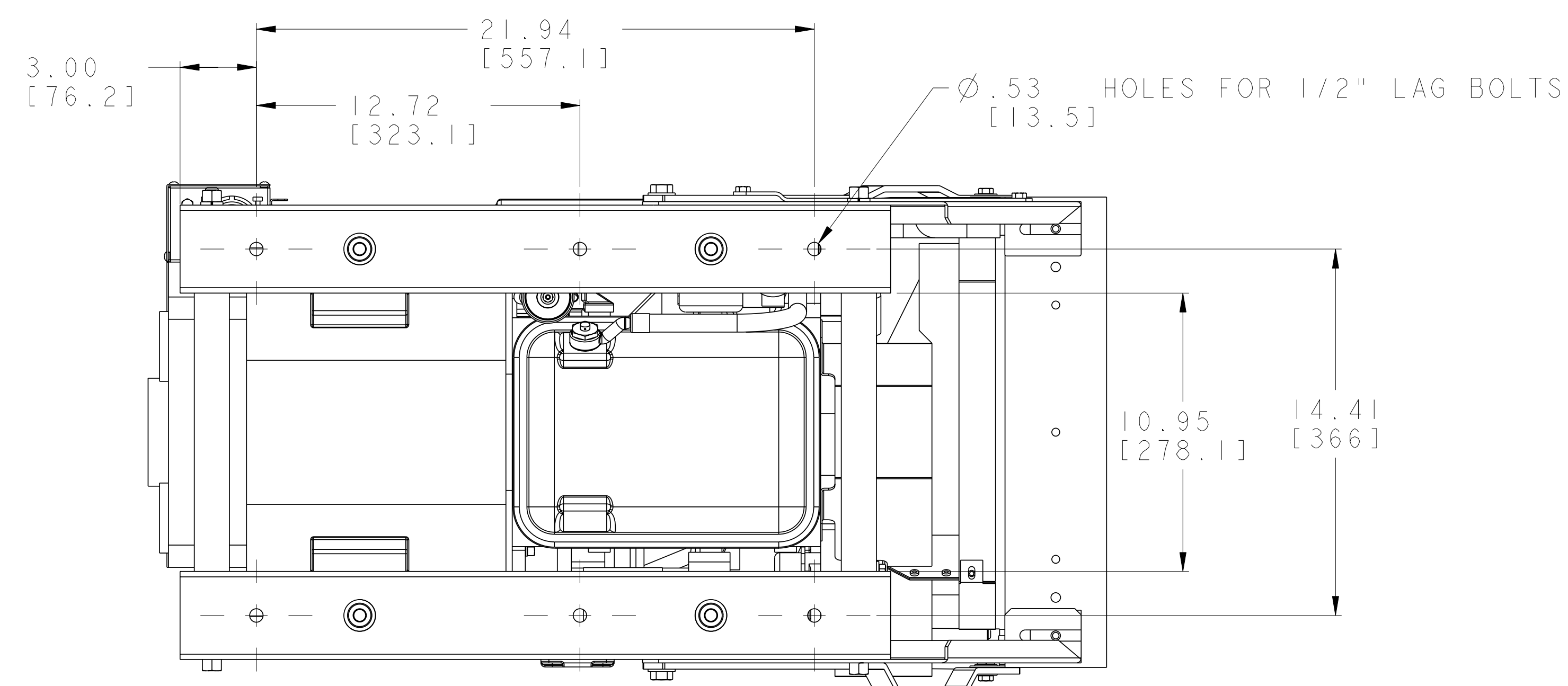


M12 x 1.75 x 25mm DEEP, 3 HOLES EQUALLY SPACED ON A Ø3.346[Ø85] B.C.

Ø3.94 x .10[2.5] DEEP PILOT [100]

FUEL INLET CONNECTOR 1/8-27 NPT (FEMALE)

30.17 [766.4]



TOLERANCES (UNLESS OTHERWISE NOTED)		WESTERBEKE CORPORATION TAUNTON, MA. 02780	
INCHES	MILLIMETERS	TITLE	
.XX	±.02	INSTALLATION DRAWING	
.XXX	±.005	10.0 KW BTDR GENERATOR	
CAST	±.03		
ANGLES	±.13		
FINISH	2		
DIMENSIONS		DRAWN BY	DATE
INCHES			04/AUG/00
MILLIMETERS		APPROVED BY	
		SCALE 0.250	SIZE DRAWING NUMBER
		SHT. 1 OF 1	E 45112
			REV. C