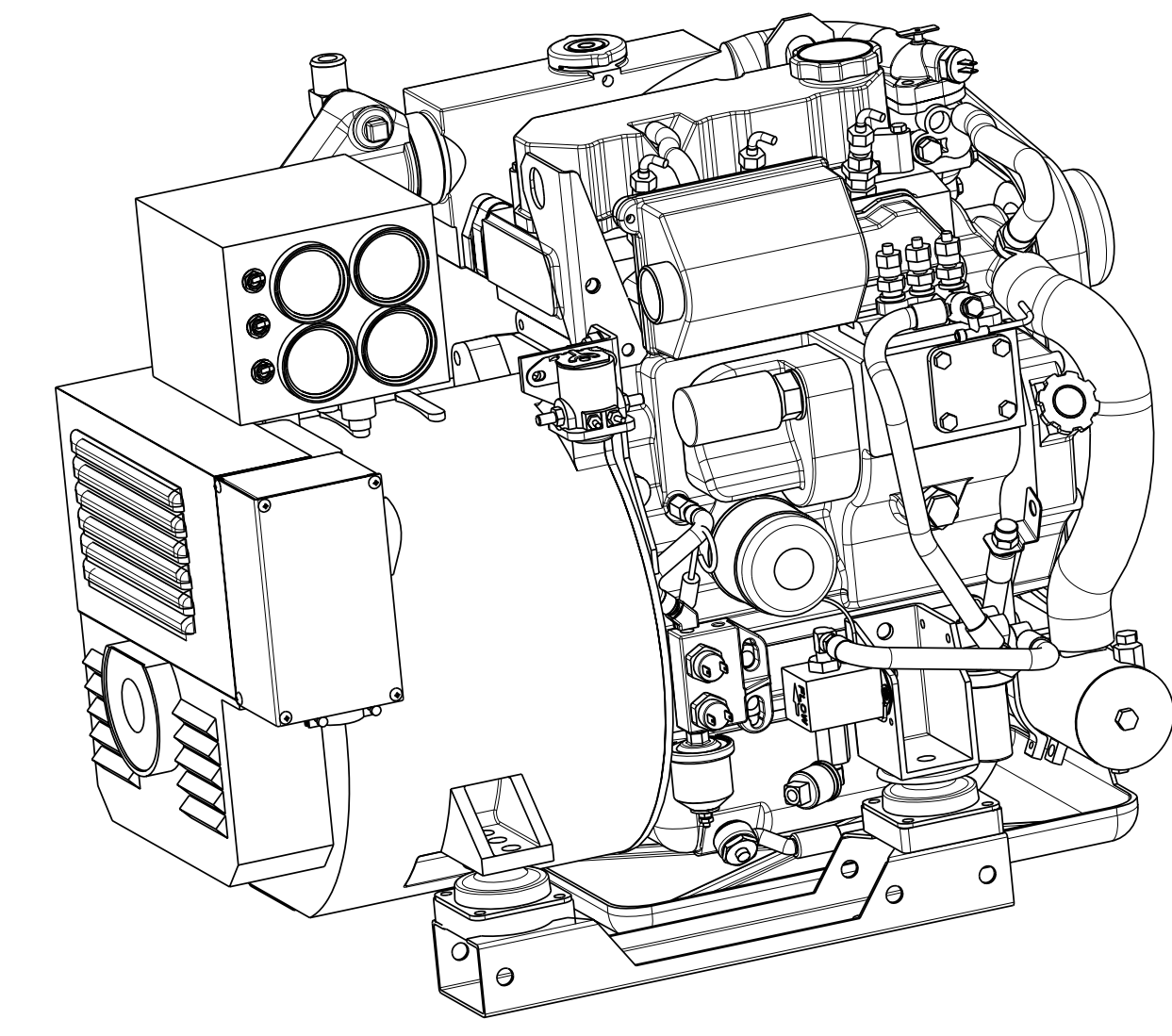
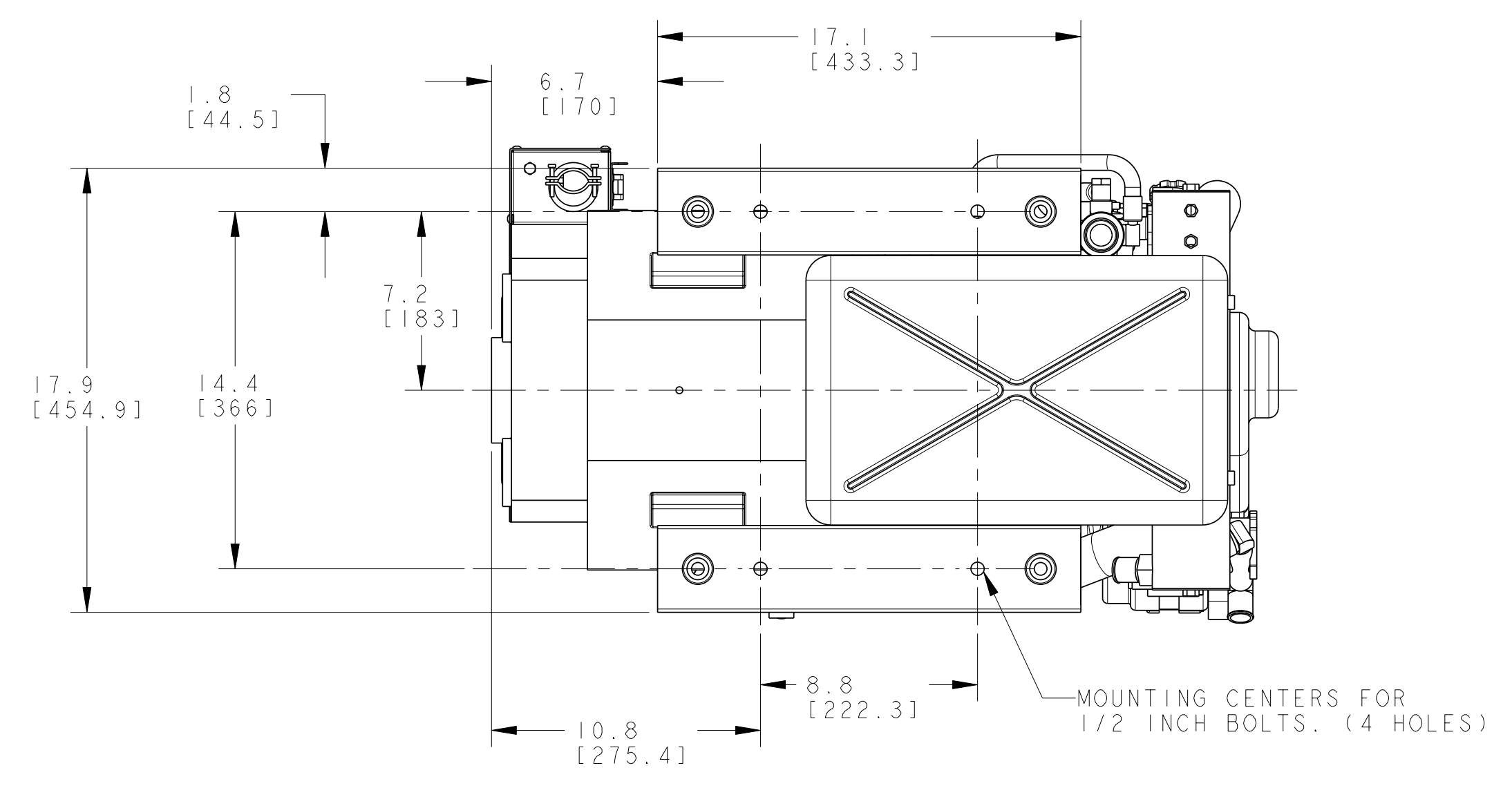
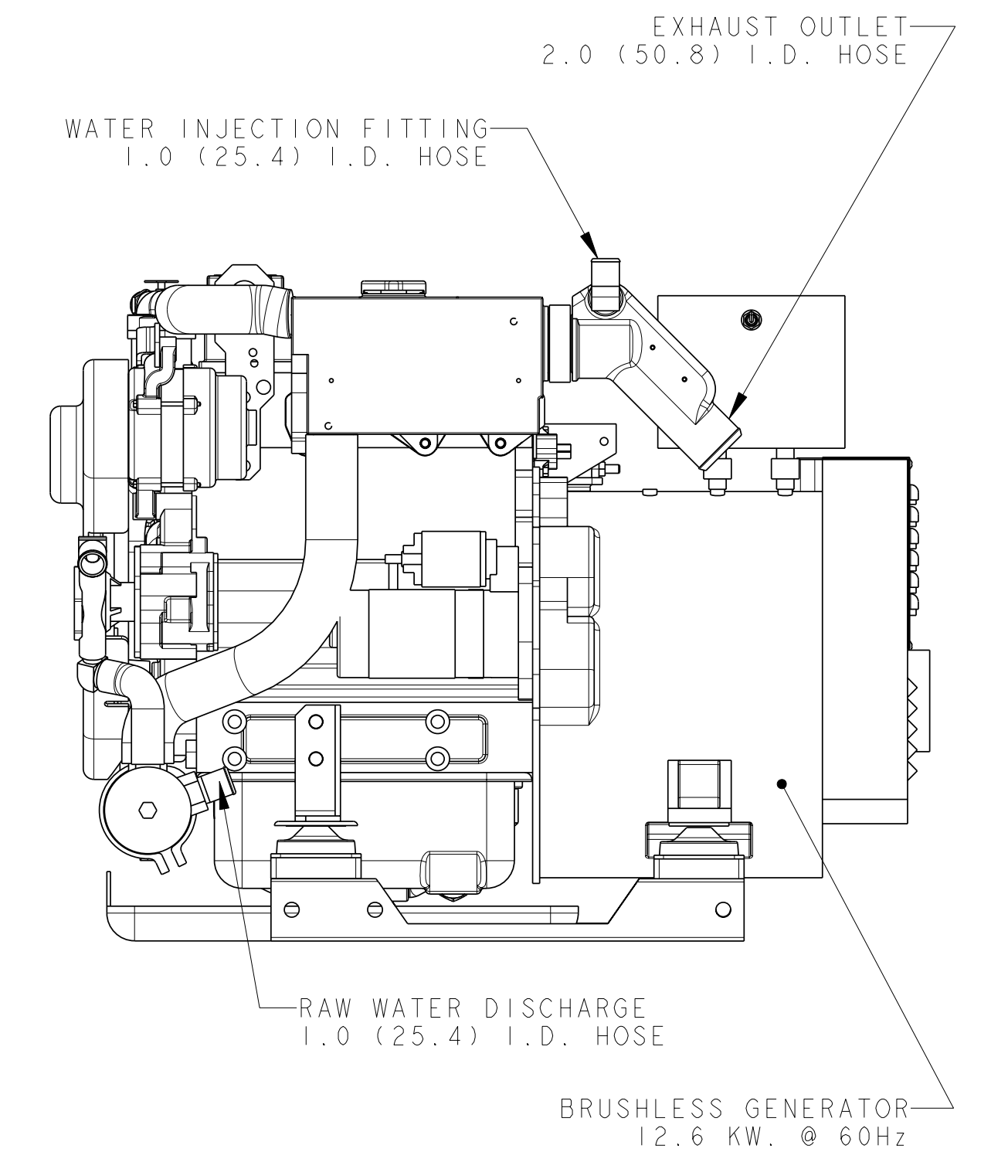
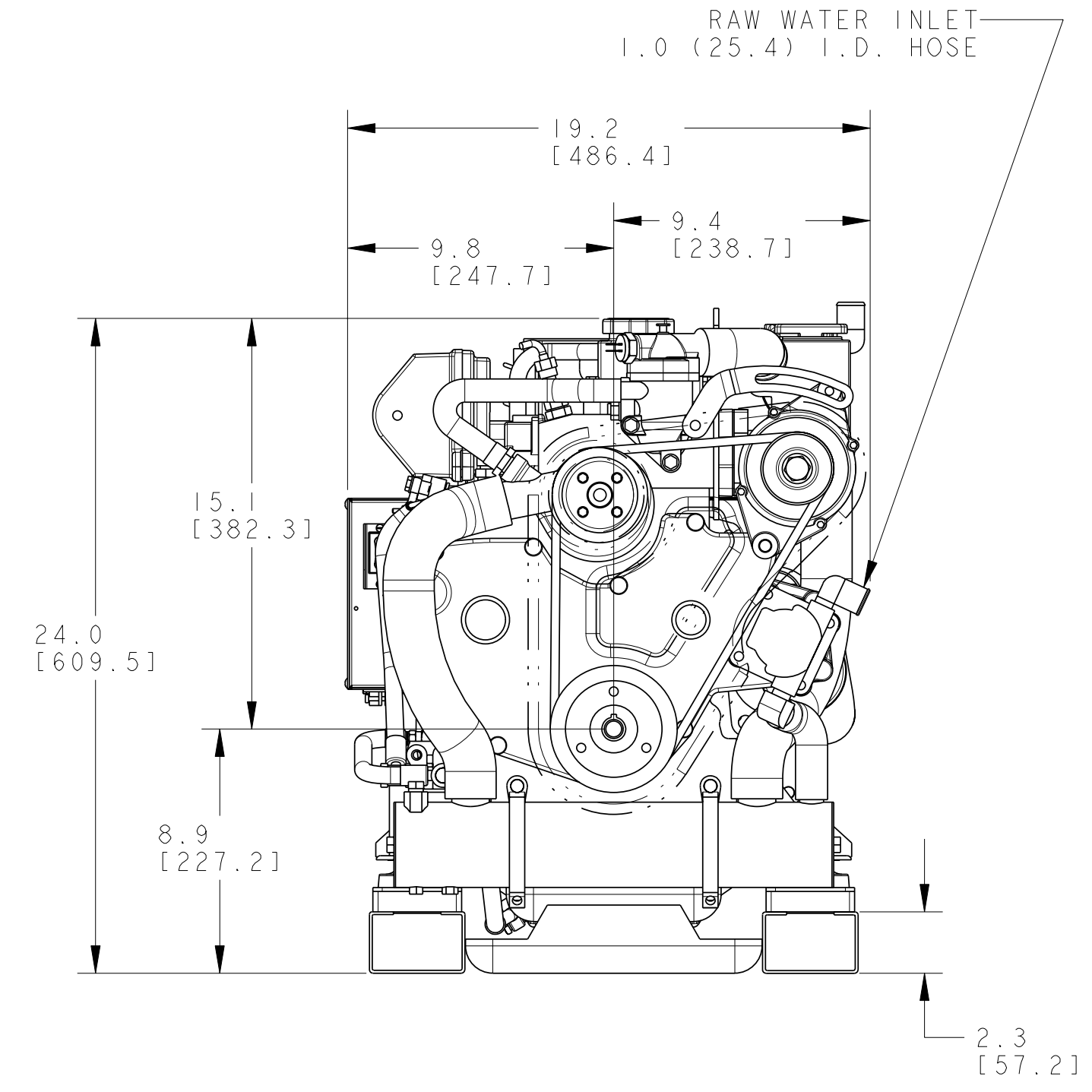
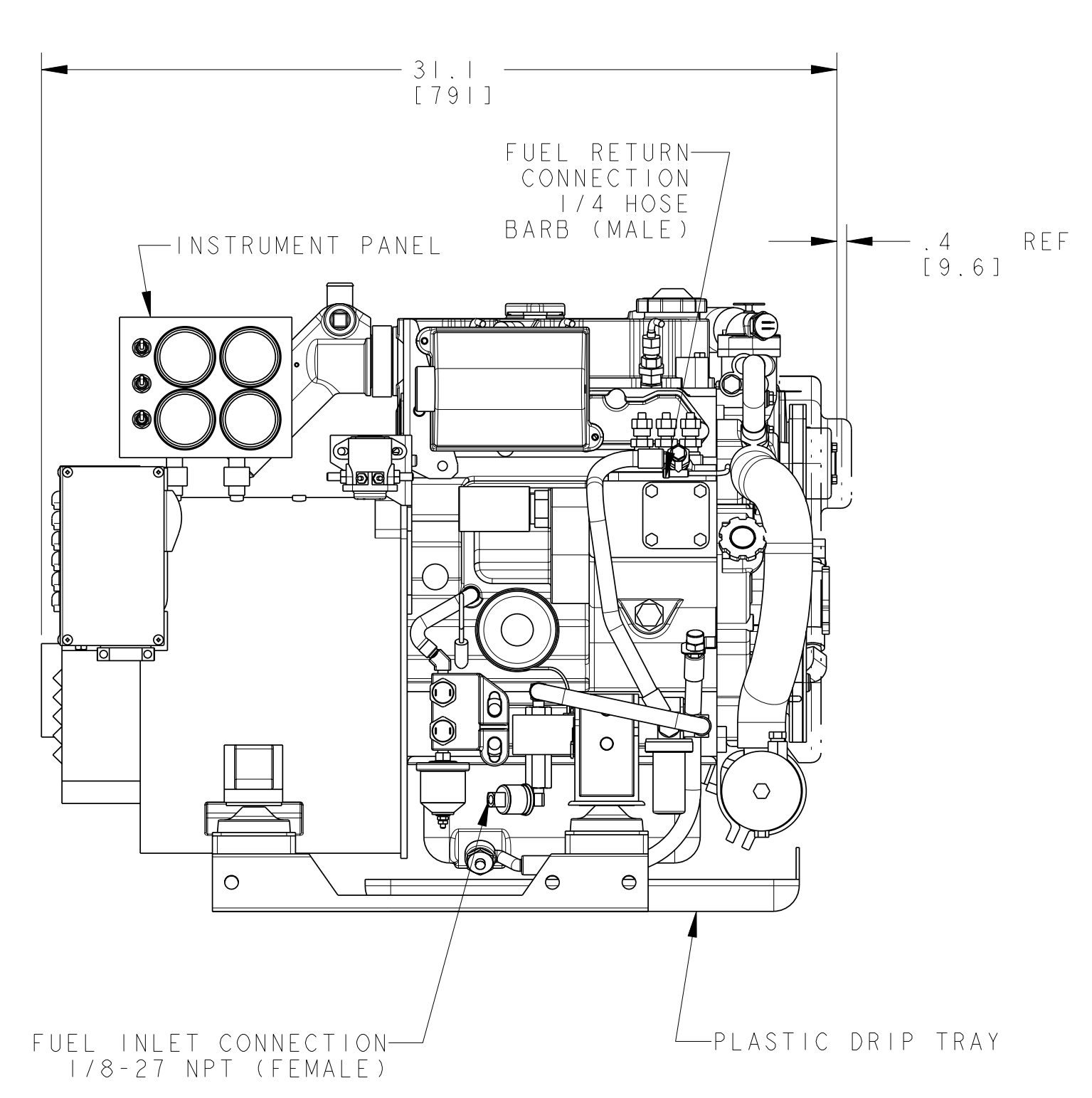
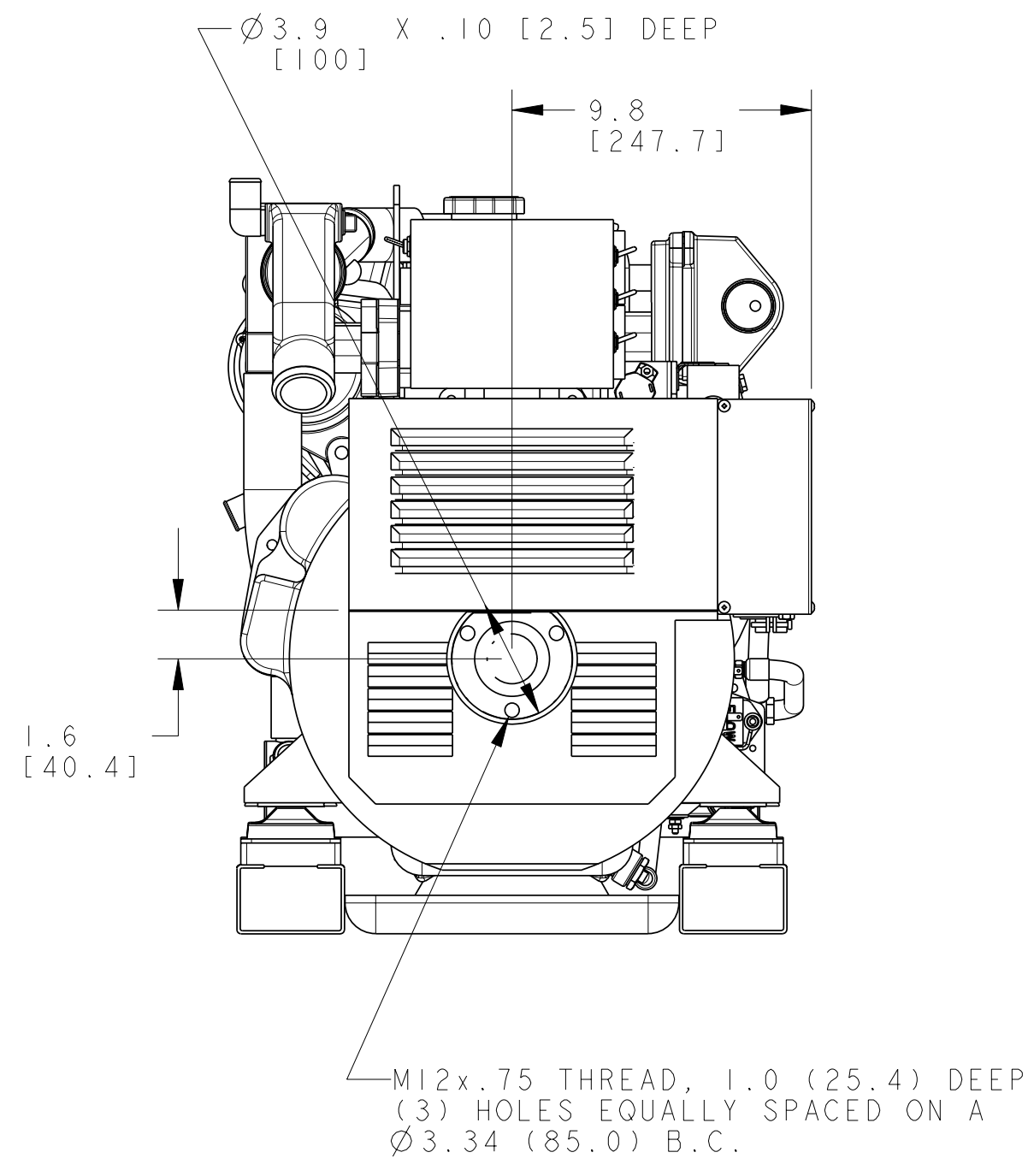
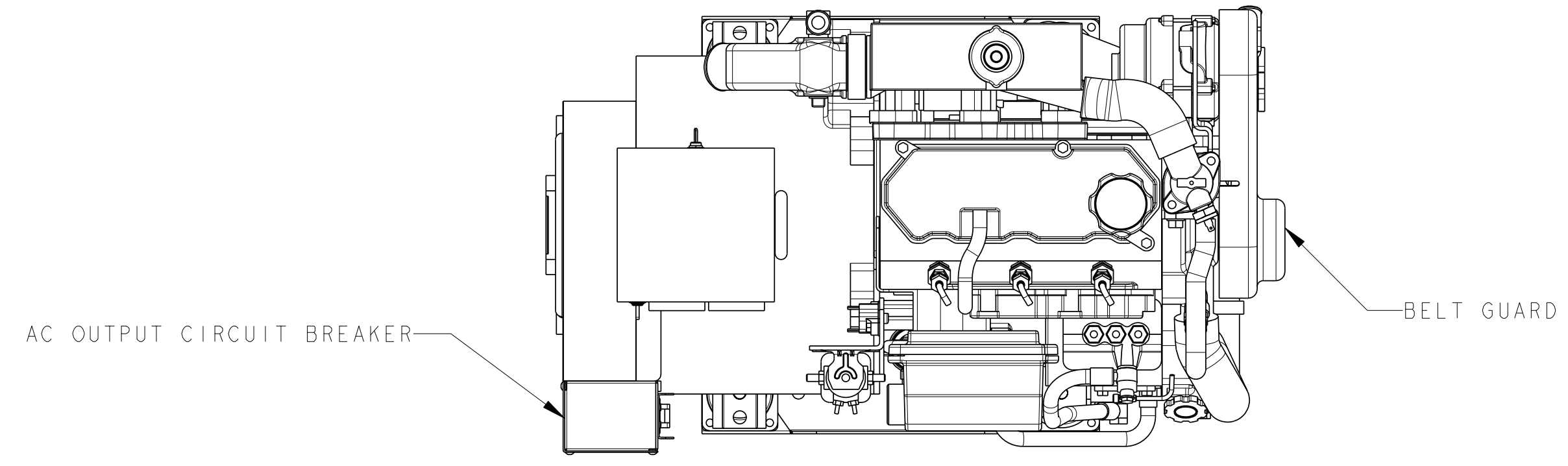


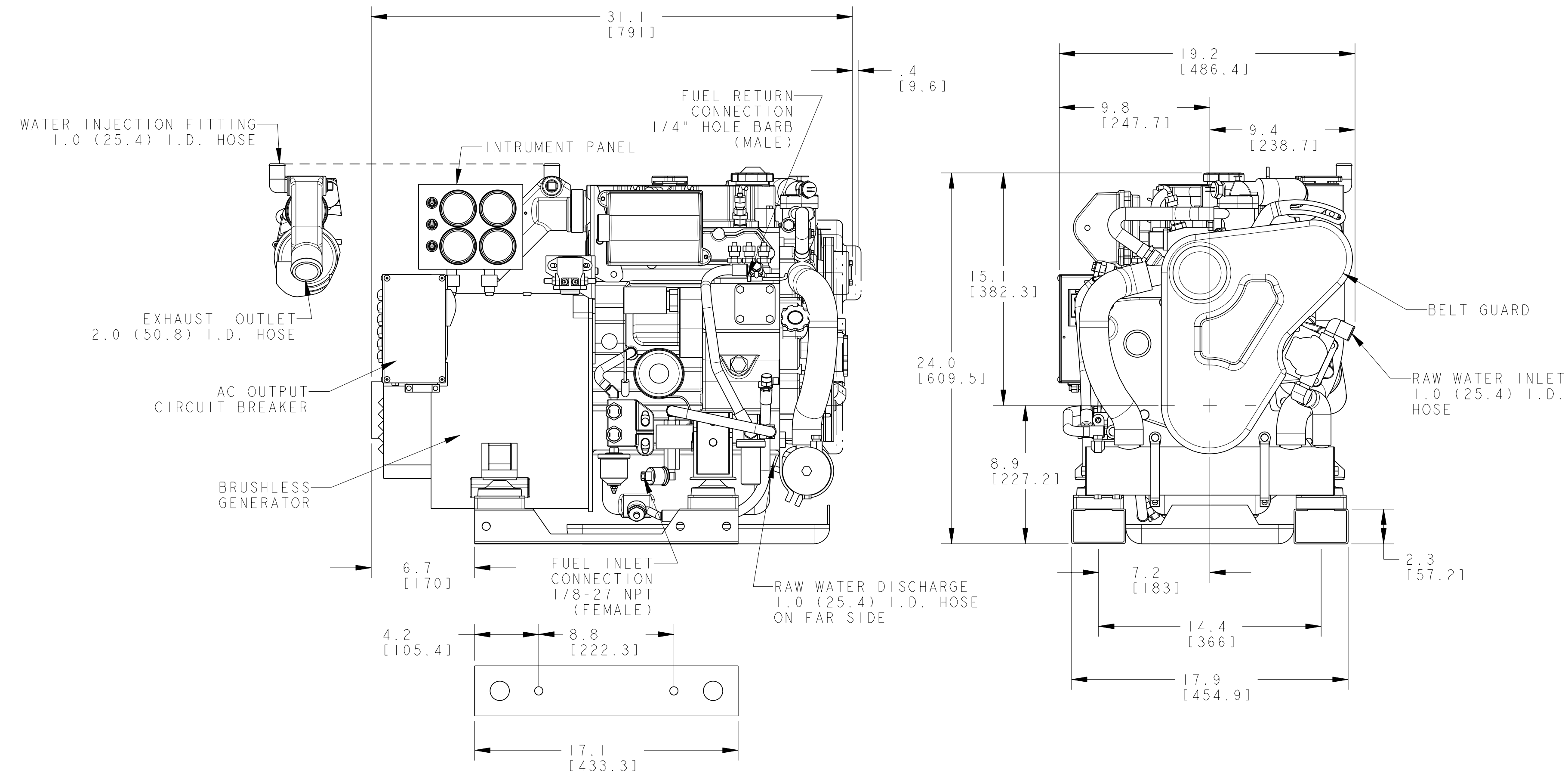
ECO NO.	DATE	REV.	REVISION RECORD	AUTH.	DR. BY
5348	8-15-02	A	UPDATE ASM TO REFLECT CURRENT BOM		BM
5424	12-12-02	B	ADDED PART #48076 TO ASSEMBLY		BM
6518	5-23-2008	C	UPDATE MODEL NAME TO 11.5 BTD IN TITLE BLOCK.	GA	GA



MODEL WITH 50 AMP ALTERNATOR

TOLERANCES (UNLESS OTHERWISE NOTED)		WESTERBEKE CORPORATION TAUNTON, MA. 02780	
INCHES	MILLIMETERS	TITLE	MATERIAL
.XX : .02	.X : ± 1.0	INSTALLATION DRAWING 11.5 BTD 60HZ, 9.2 BTD 50HZ ELECT GOVERNING	
.XXX : .005	.X : ± .5		
CAST : .03	.XX : ± .13		
FINISH		DRAWN BY	DATE
		GA	28/May/02
		APPROVED BY	DATE
DIMENSIONS		SCALE	SIZE
INCHES		0.187	D
MILLIMETERS			
(WHEN APPLICABLE)		SHT. 1 OF 2	DRAWING NUMBER
			47847
			REV. C

ECO NO.	DATE	REV.	REVISION RECORD	AUTH.	DR. BY



TOLERANCES (UNLESS OTHERWISE NOTED)		WESTERBEKE CORPORATION TAUNTON, MA. 02780	
INCHES	MILLIMETERS	TITLE	DATE
.XX : .02	.X : ± 1.0	INSTALLATION DRAWING 11.5 BTD 60 HZ	22/Apr/04
.XXX : .005	.X : ± .5	9.2 BT 50HZ W/ ELECT GOVERNING	
CAST : .03	.XX : ± .13	DRAWN BY	MATERIAL:
ANGLES : 9°		GA	-
FINISH : 63		DATE	DATE
		APPROVED BY	DATE
DIMENSIONS		SCALE 0.187	SIZE D
INCHES MILLIMETERS		SHT. 2 OF 2	DRAWING NUMBER 47847
(WHEN APPLICABLE)			REV. C