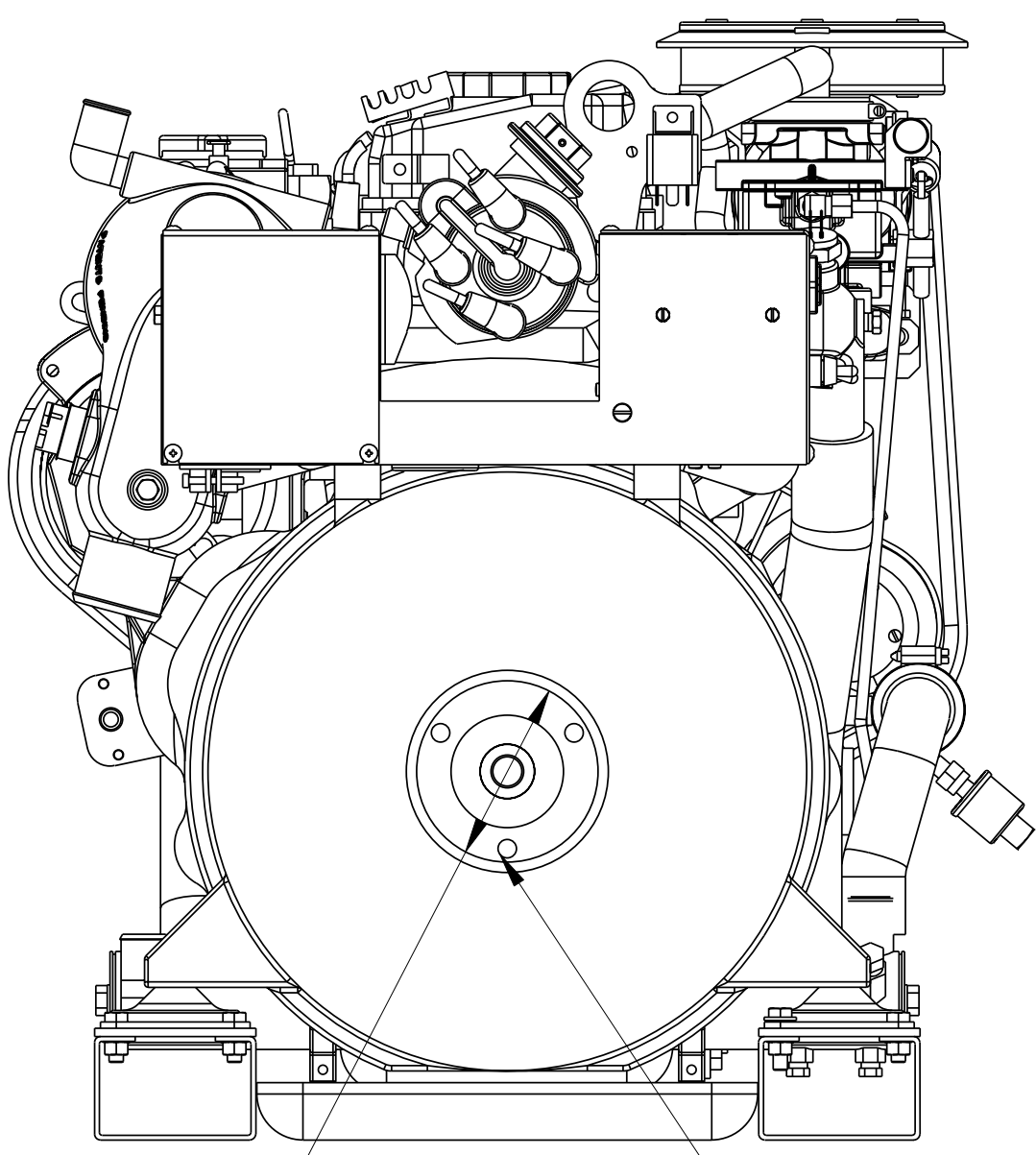
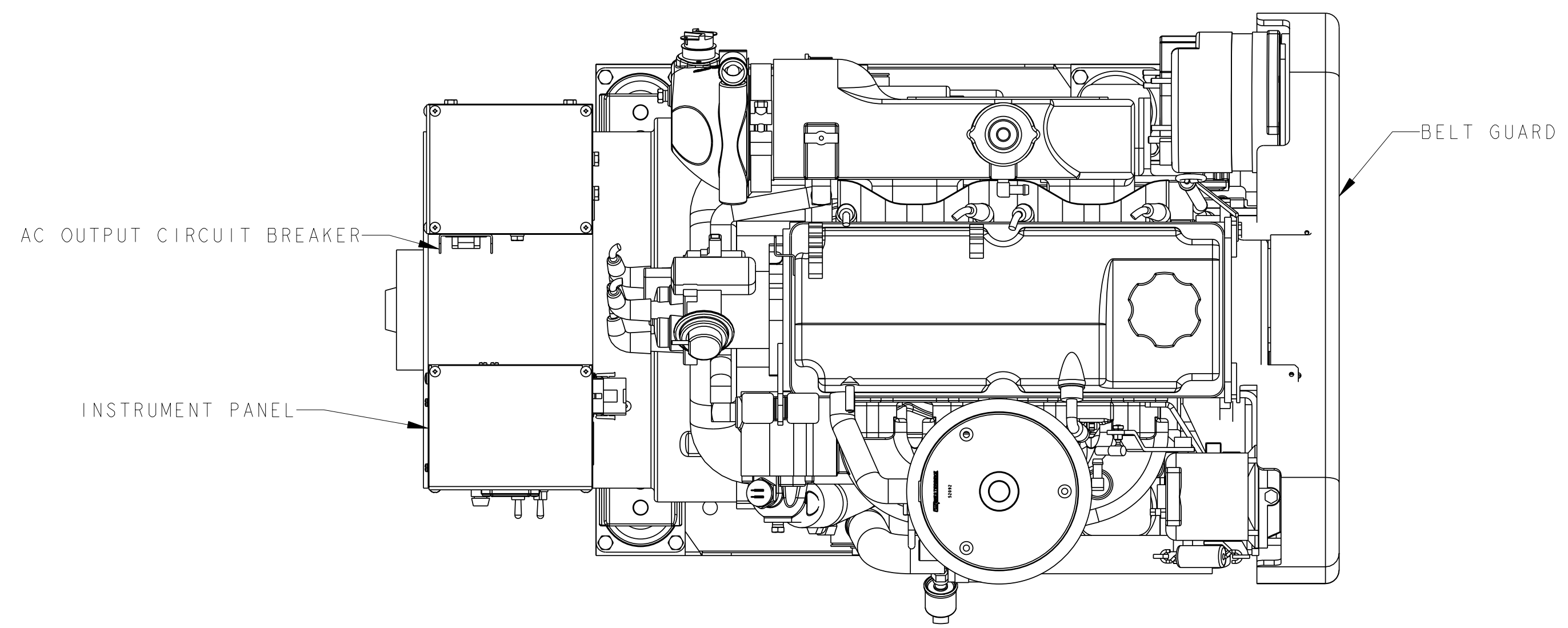
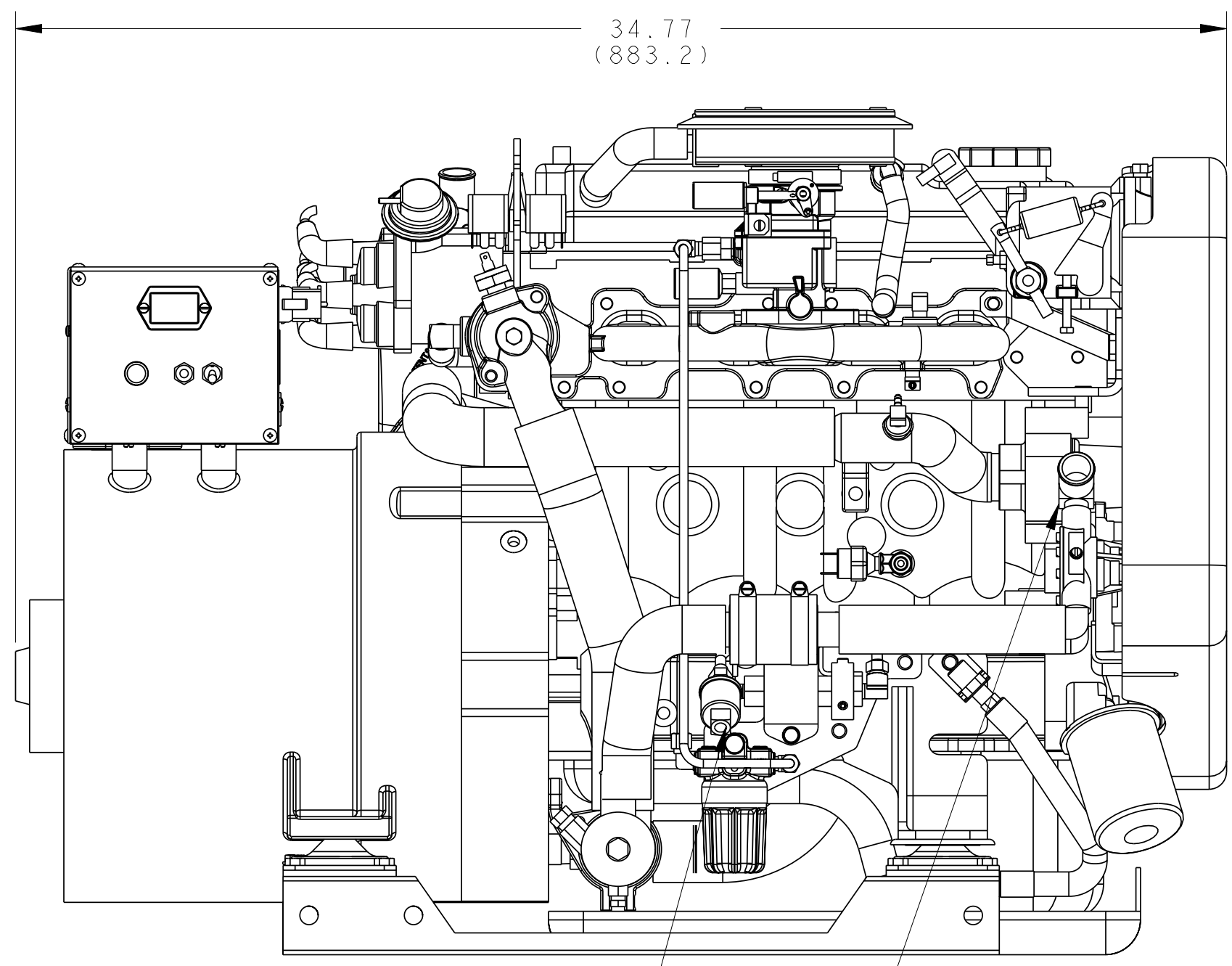


ECO NO.	DATE	REV.	REVISION RECORD	AUTH.	DR. BY
5425	12-12-02	A	ADDED PART #48076 TO ASSEMBLY		BM
6089	10-20-05	B	UPDATE DRAWING WITH NEW CARBURETOR.		GA



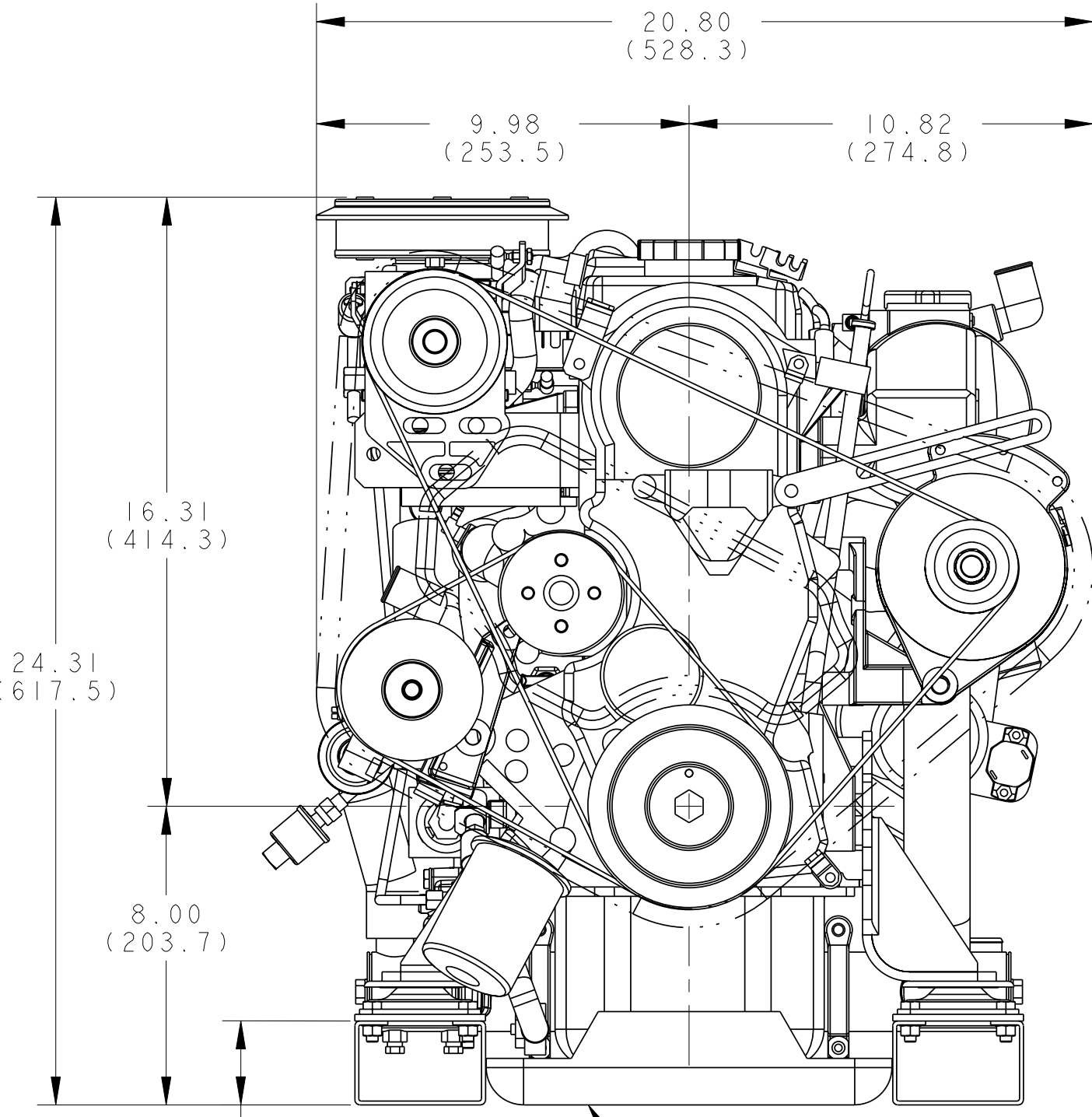
M12x1.75 -3 PLACES
EQUALLY SPACED ON A
Ø3.35 (85.0) B.C.

Ø3.94 (100.0) BY
.10 (2.5) DEEP

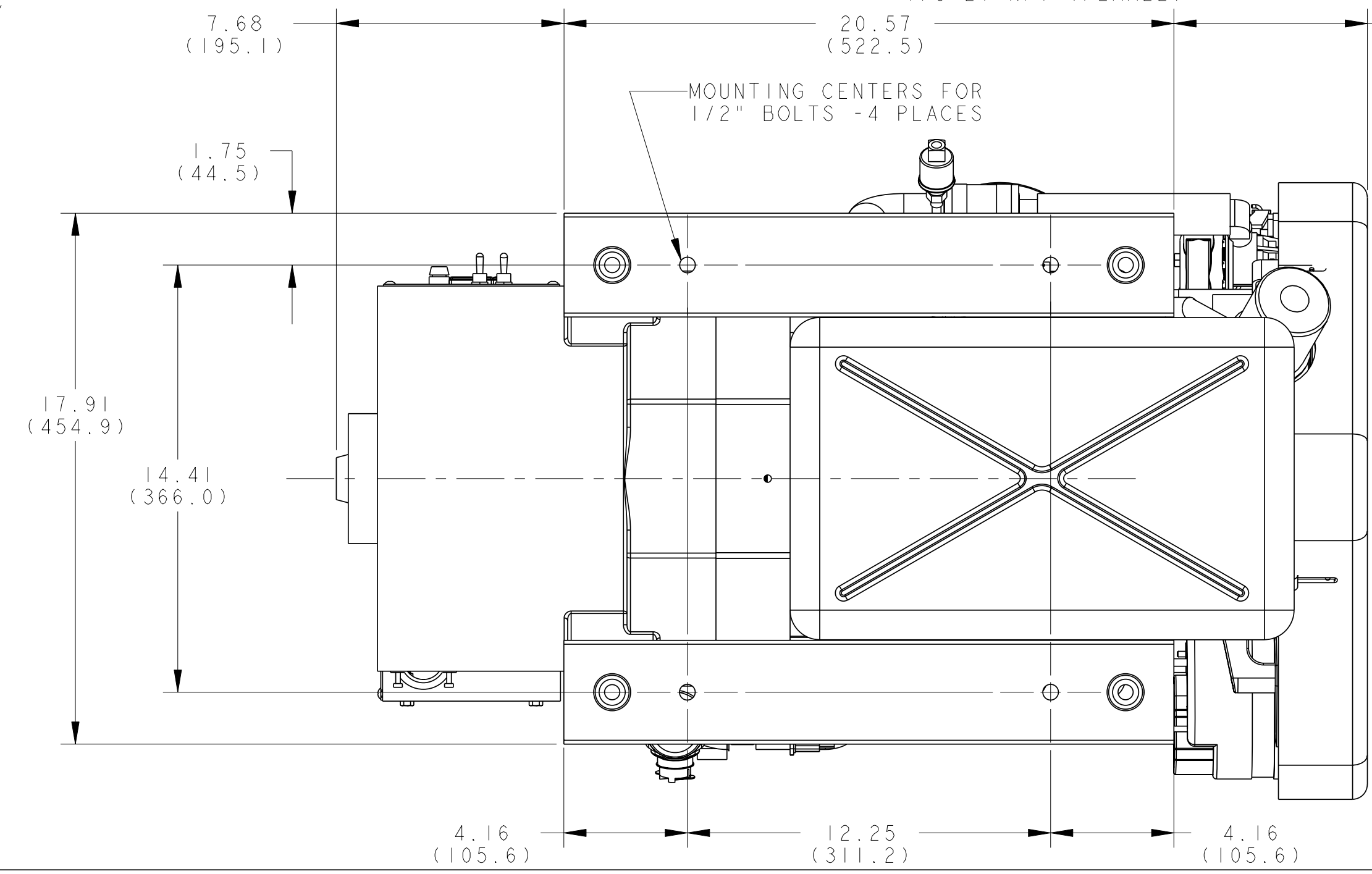
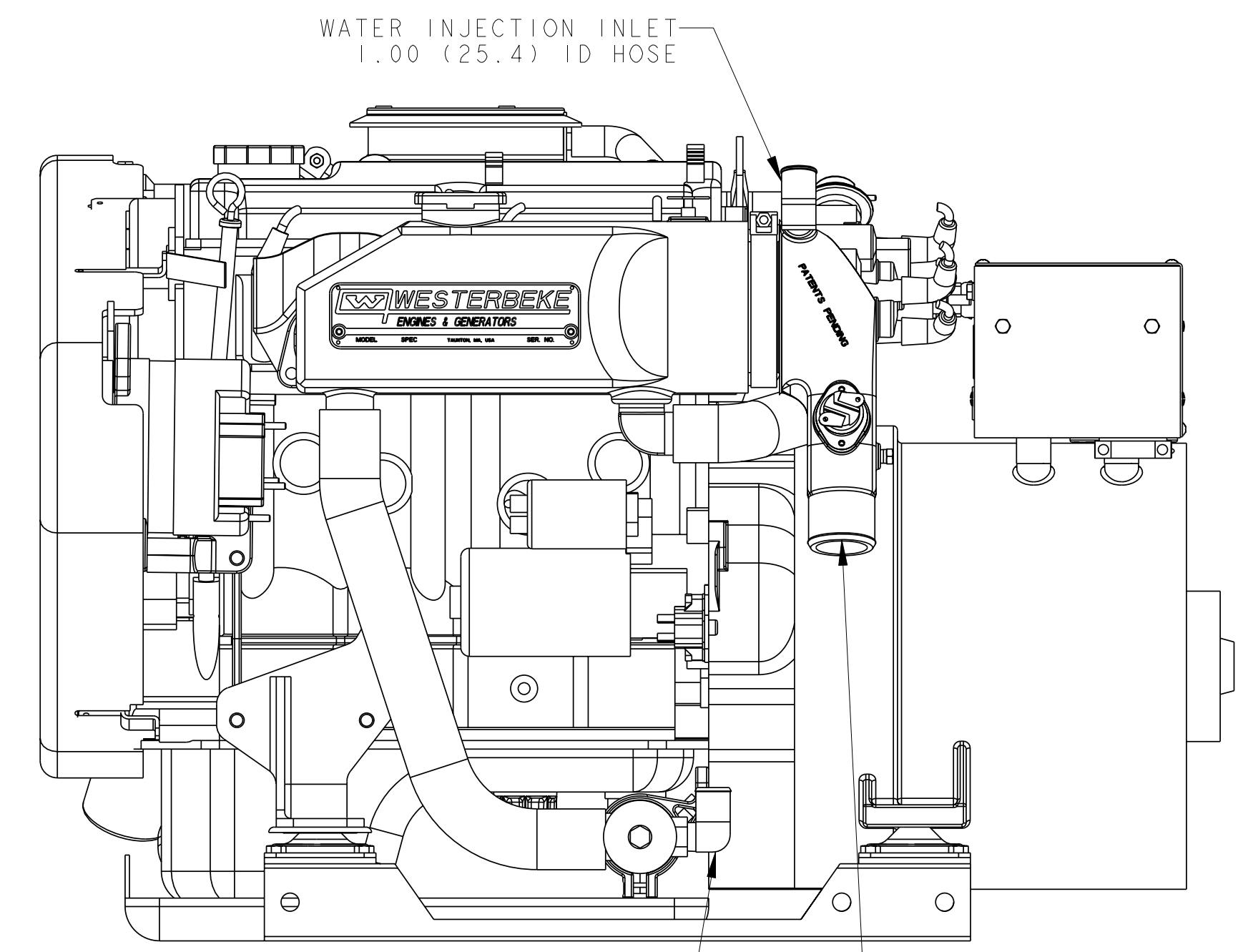


RAW WATER INLET
1.00 (25.4) ID HOSE

FUEL INLET CONNECTION
1/8-27 NPT (FEMALE)



PLASTIC DRIP TRAY



MOUNTING CENTERS FOR
1/2" BOLTS -4 PLACES

TOLERANCES (UNLESS OTHERWISE NOTED)		WESTERBEKE CORPORATION TAUNTON MA. 02780	
INCHES	MILLIMETERS	TITLE	
.XX : .02	.X : .1	INSTALLATION DRAWING	
.XXX : .005	.X : .XX	12.5 KW BEG	
CAST : .03			
ANGLES : 5°			
FINISH : 63			
DIMENSIONS		DRAWN BY	DATE
INCHES		Jeremy Anderson	02/Jul/01
MILLIMETERS		APPROVED BY	DATE
(WHEN APPLICABLE)			
SCALE 0.250	SIZE	DRAWING NUMBER	REV.
SHT. 1 OF 1	D	46480	B