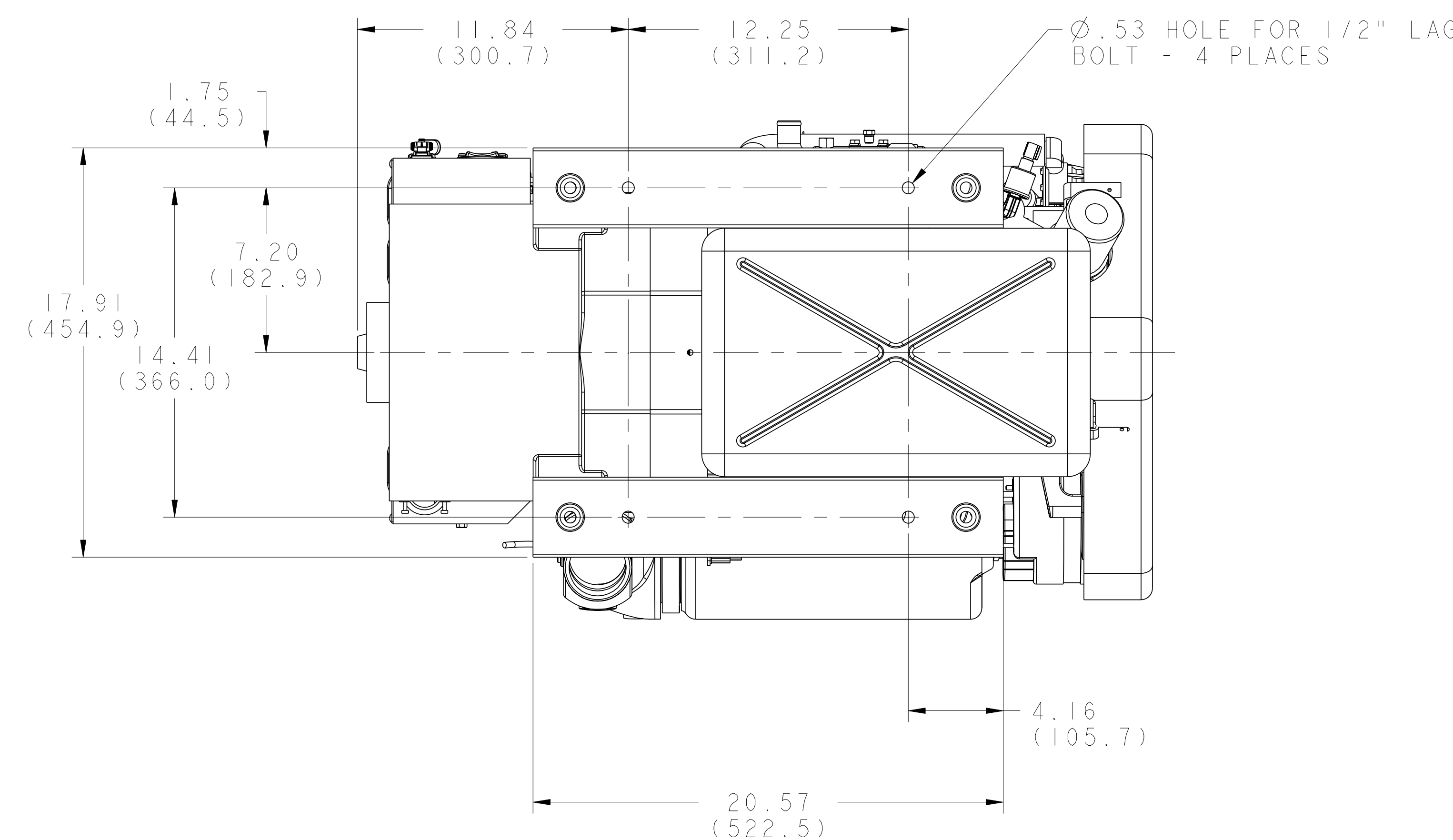
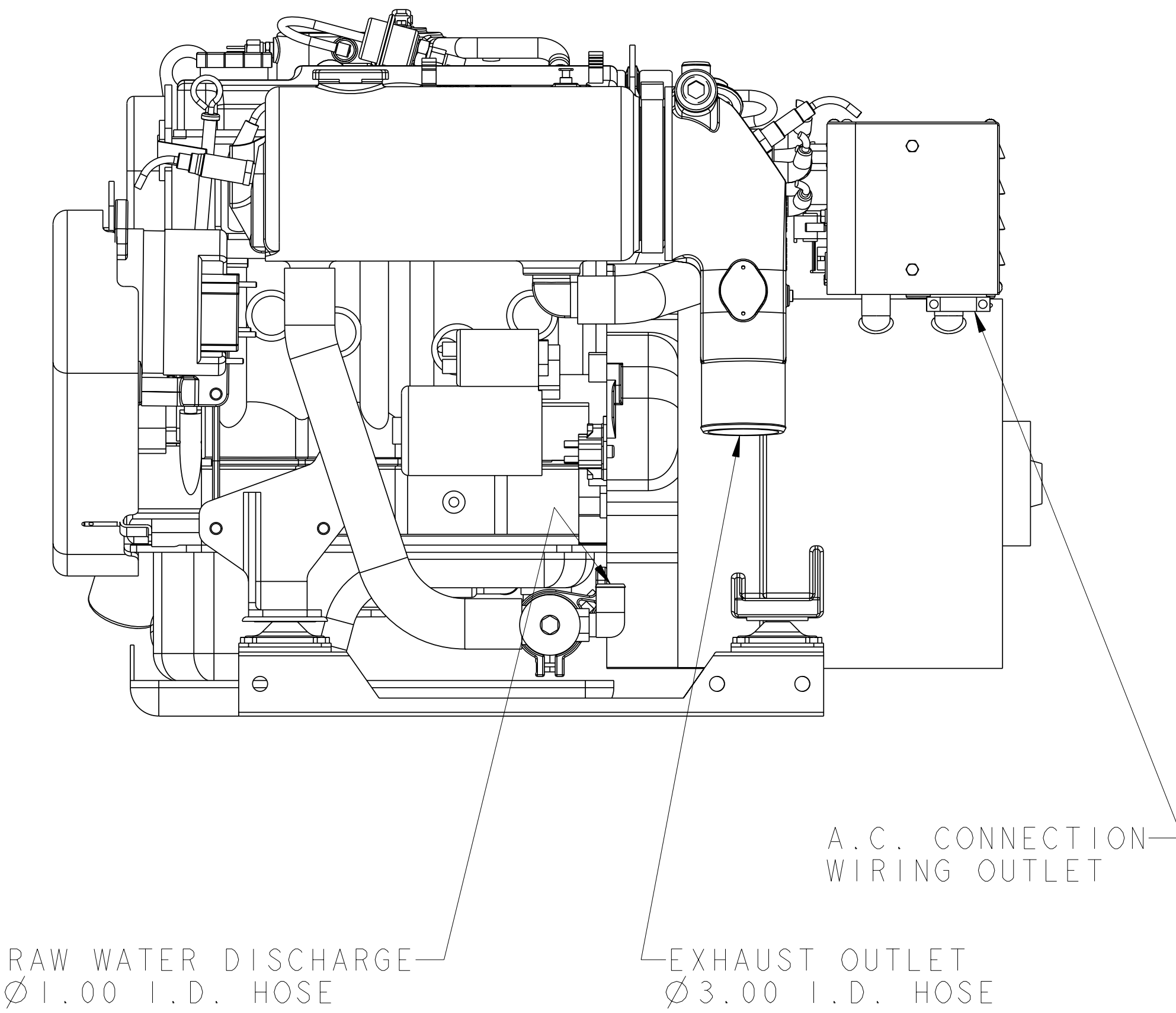
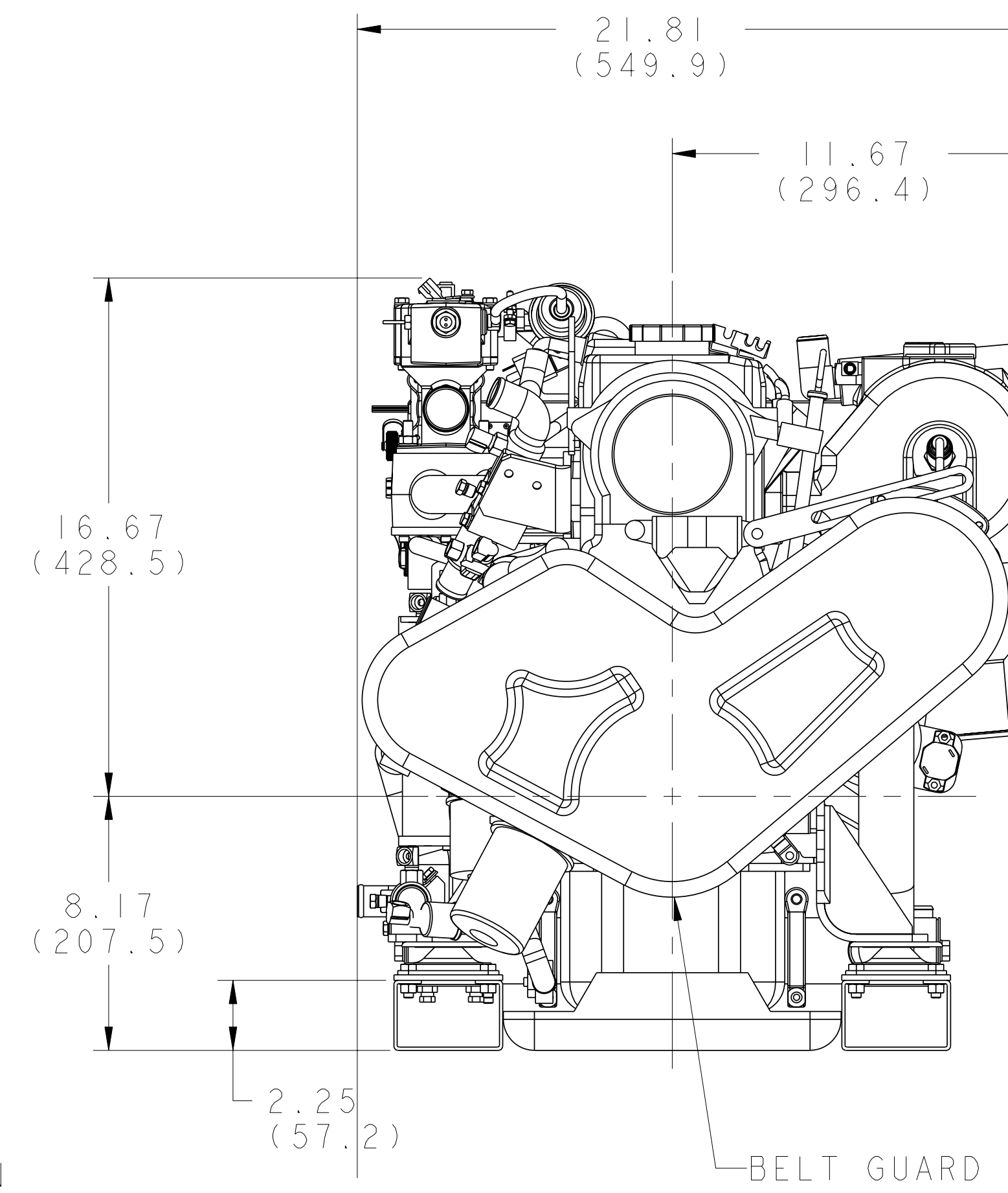
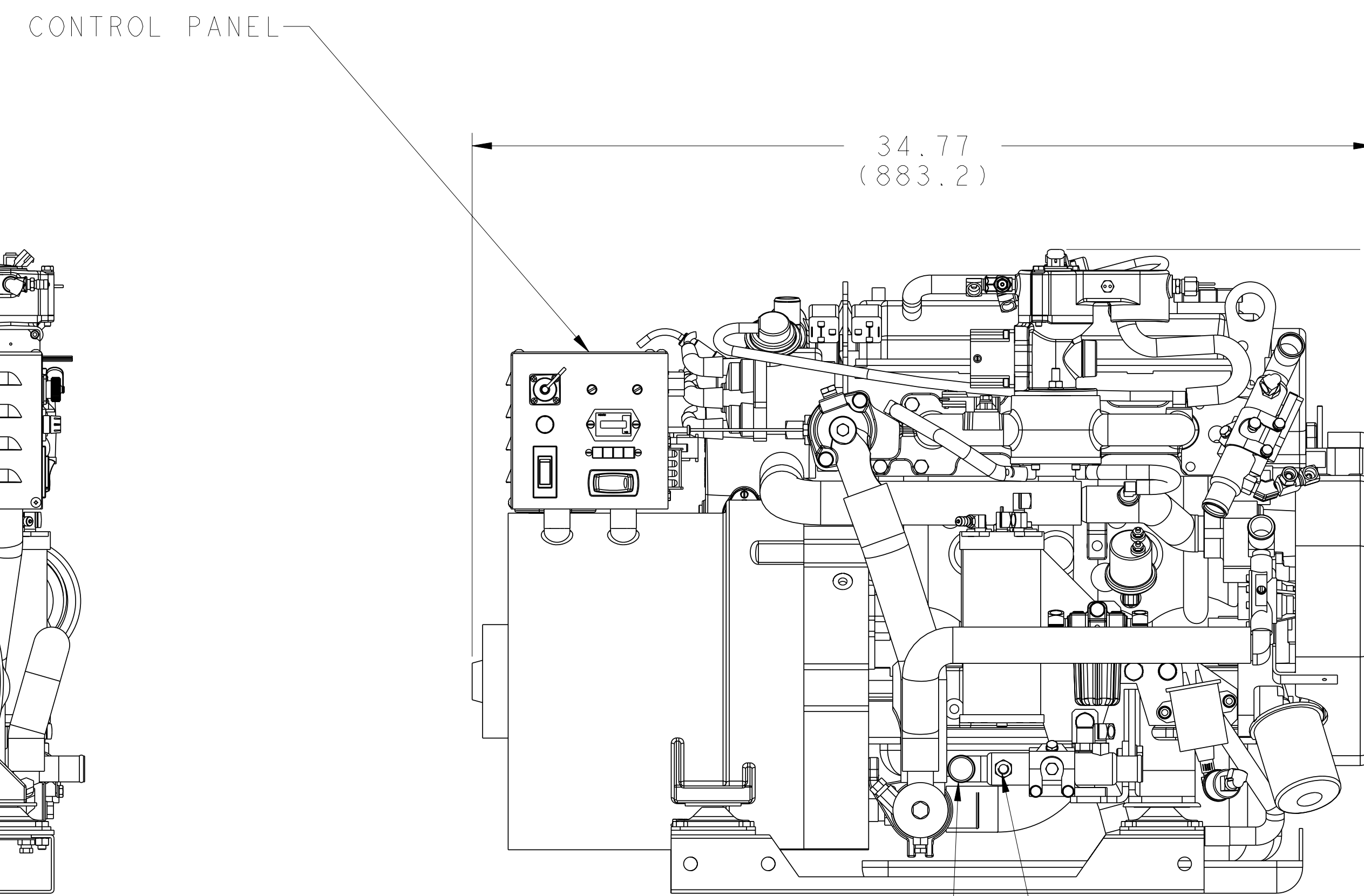
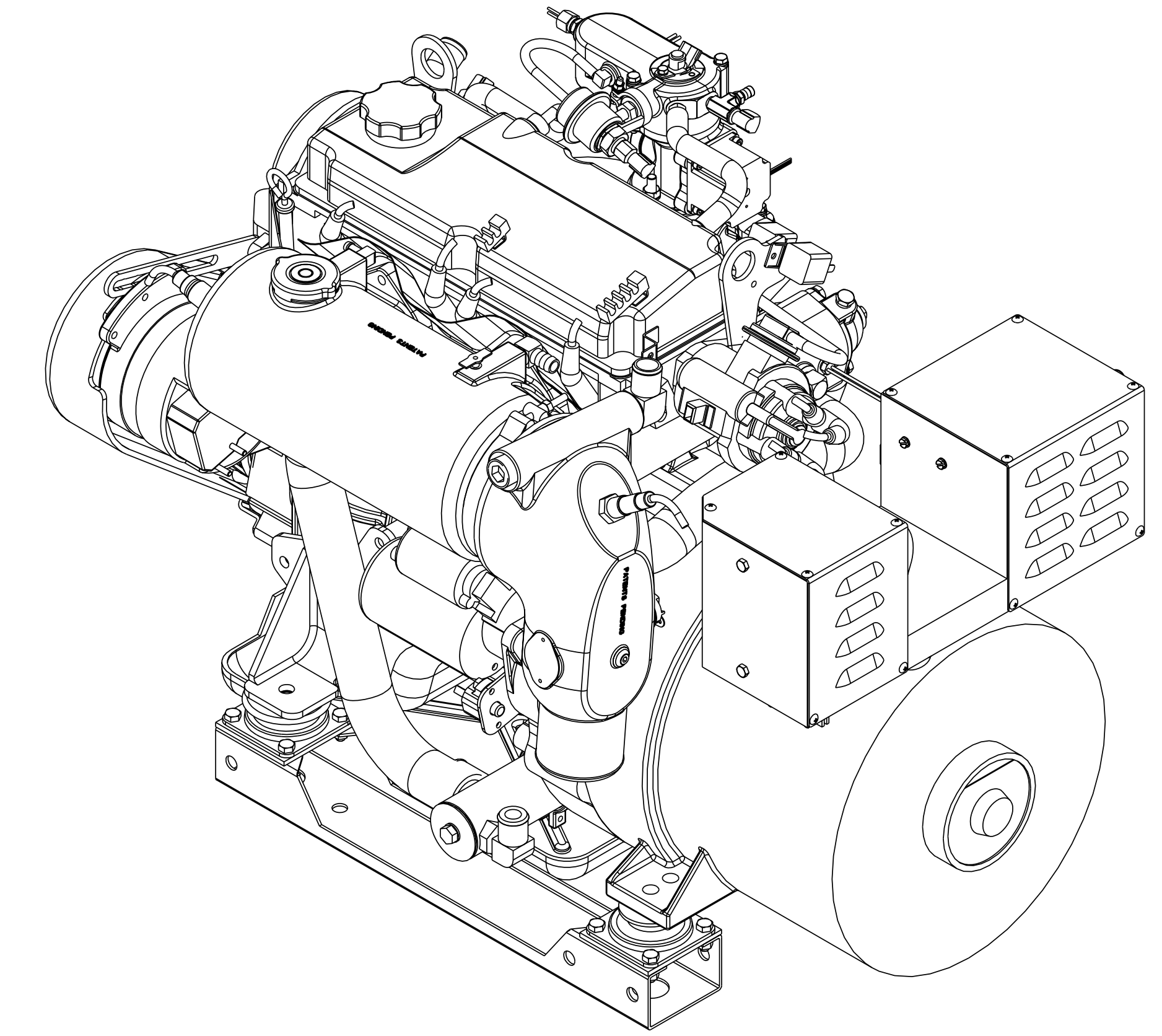
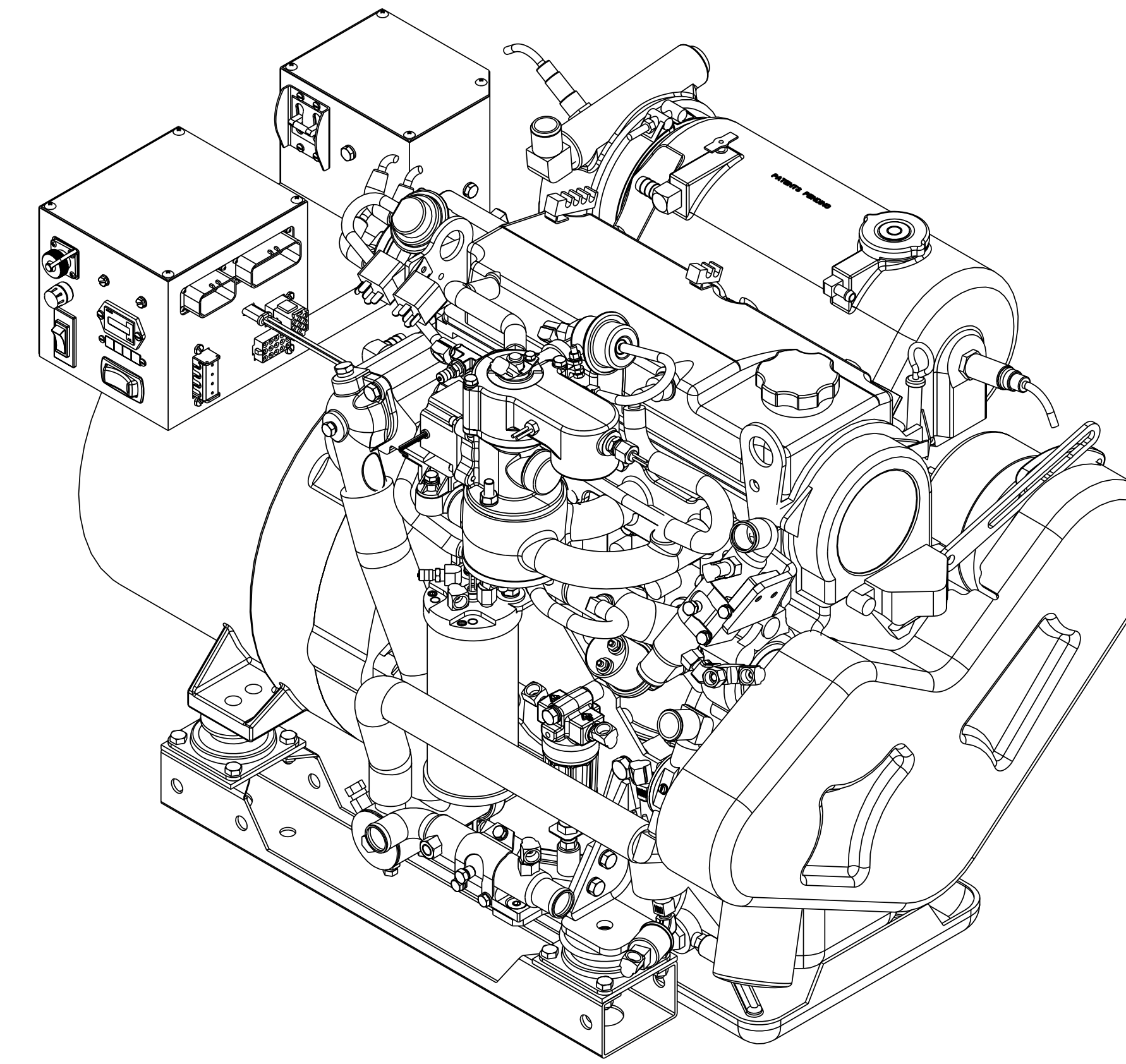
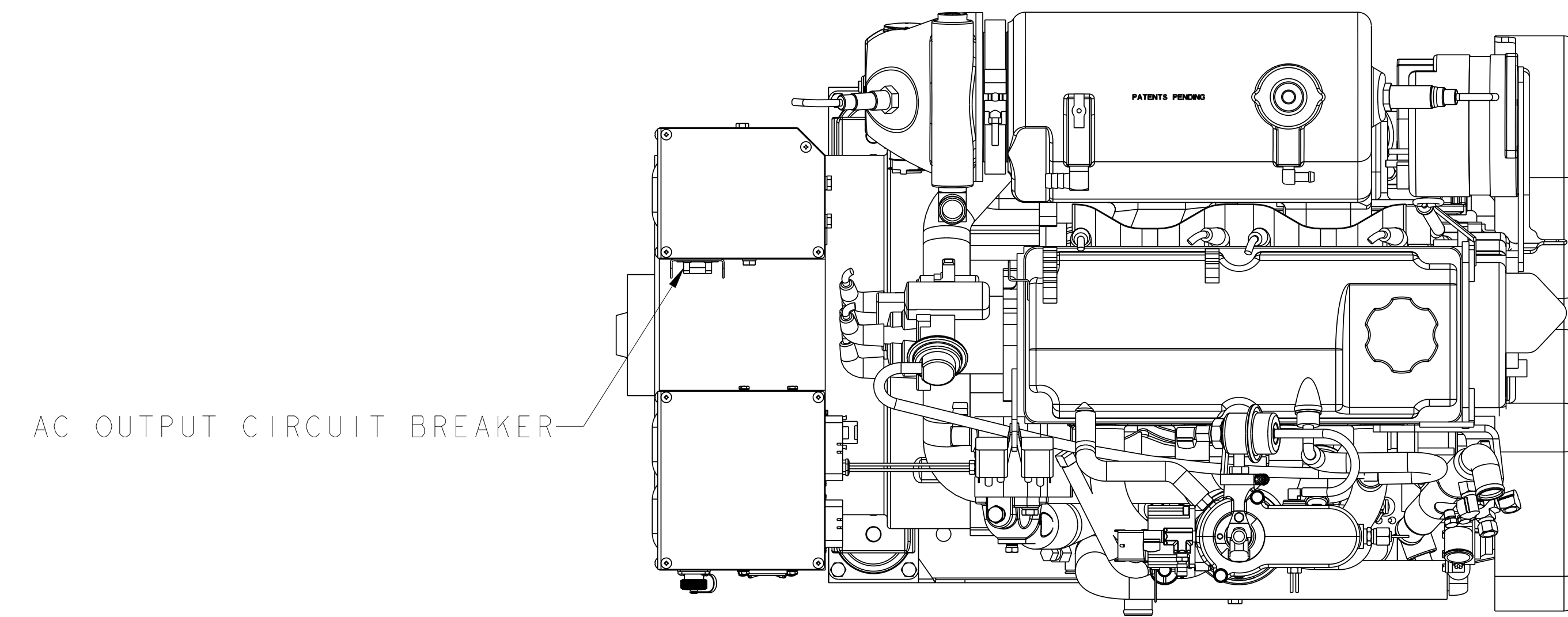


ECO NO.	DATE	REV.	REVISION RECORD	AUTH.	DR. BY
7-30	04	A	REVISED INTAKE AND THROTTLE BODY ASSEMBLY	WRM	
6092	10-3	B	UPDATE INSTALLATION DRAWING WITH NEW RETURNLESS FUEL SYS.		GA



DIMENSIONS IN BRACKETS ARE IN MILLIMETERS

TOLERANCES (UNLESS OTHERWISE NOTED)		WESTERBEKE CORPORATION TAUNTON, MA. 02780	
INCHES	MILLIMETERS	TITLE	
.XX ± .02	.X ± .13	INSTALLATION DRAWING	
.XXX ± .005	.XX ± .13	12.5.0 KW. SBEG	
CAST ± .03			
FINISH ± .01			
DIMENSIONS		DRWN BY	DATE
INCHES		WRM	04/Mar/104
MILLIMETERS		APPROVED BY	
SCALE 0.250		DATE	
SHT. 1 OF 1		SIZE	DRAWING NUMBER
		E	49271
		REV.	B