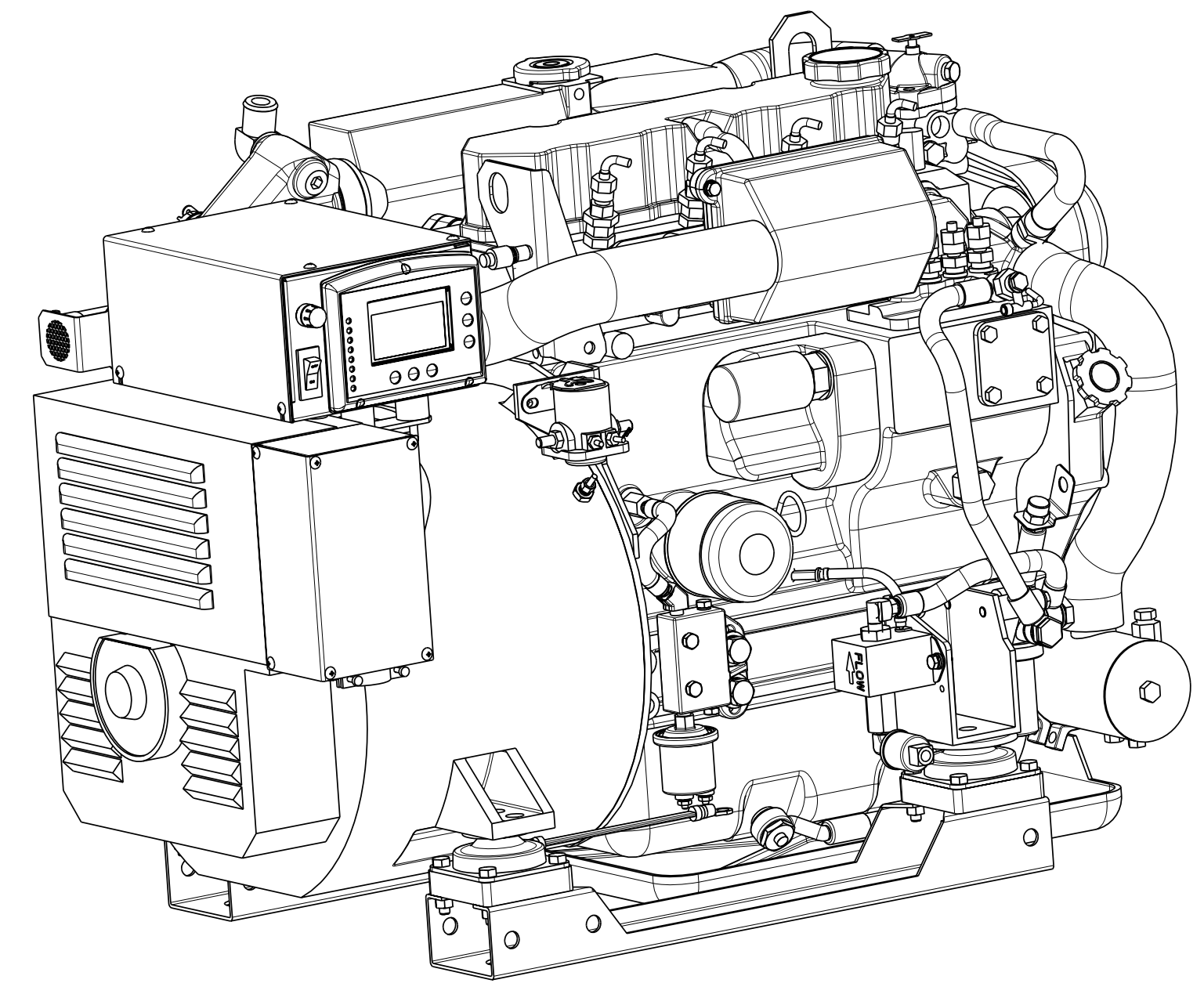
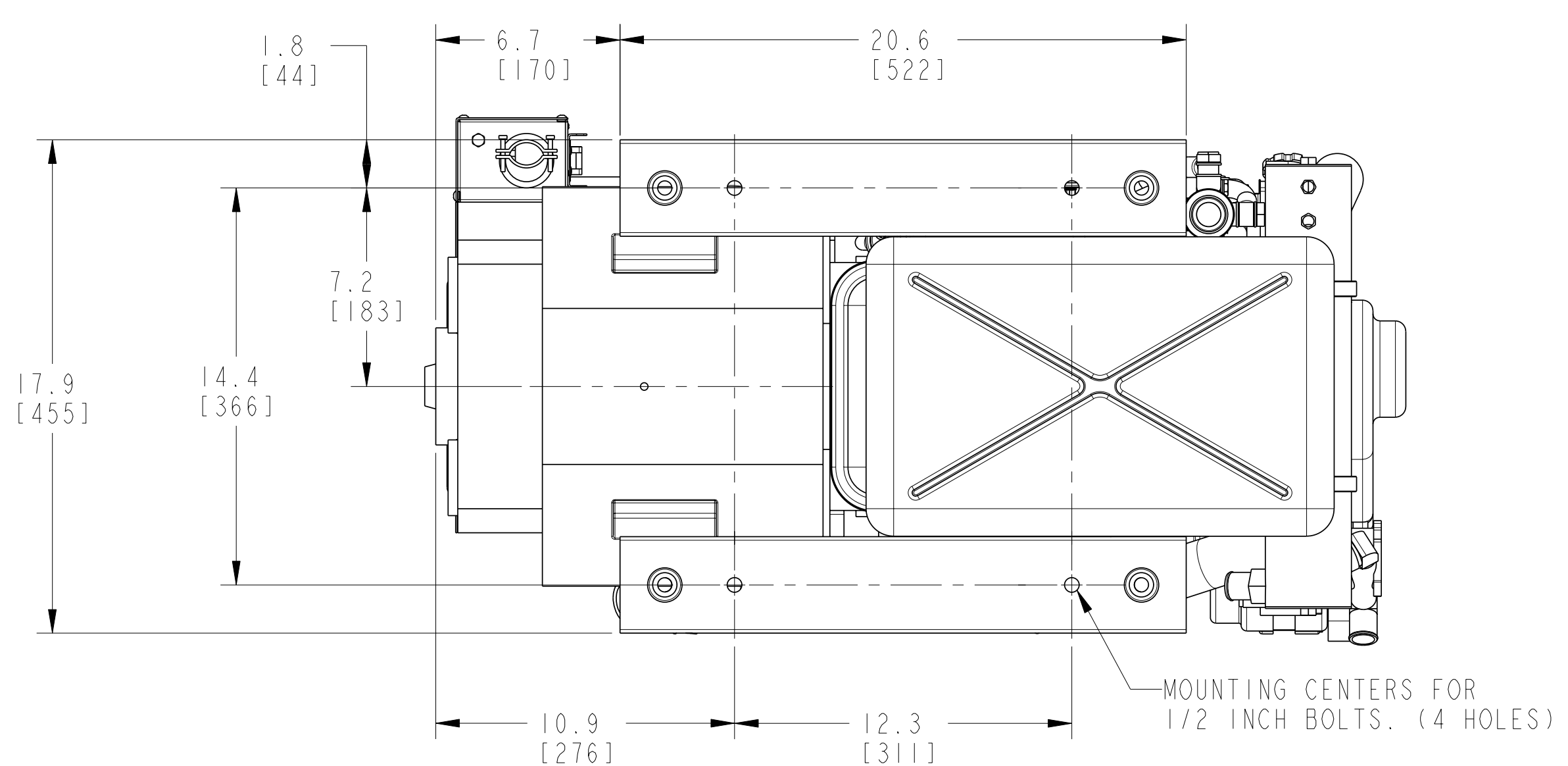
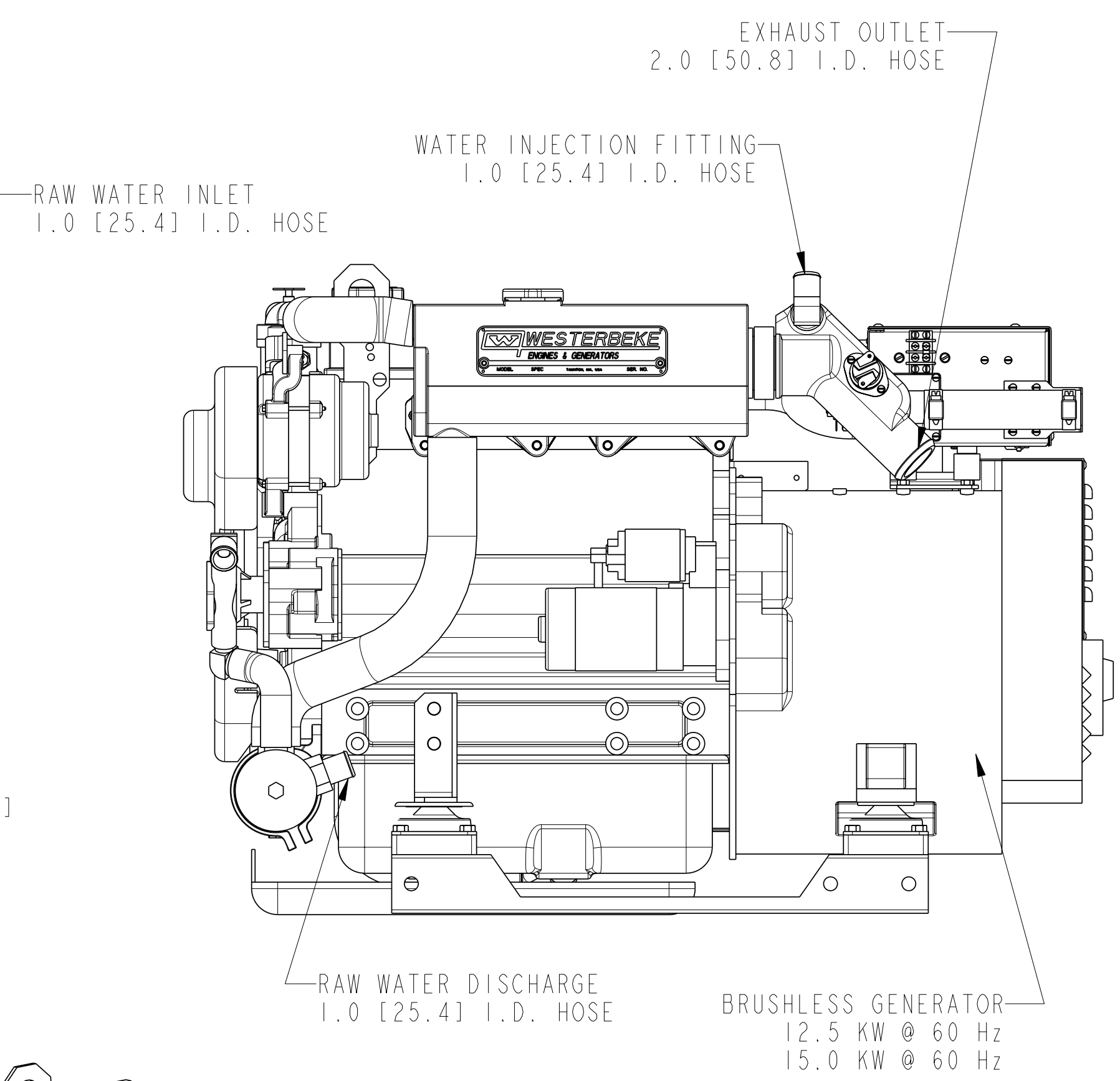
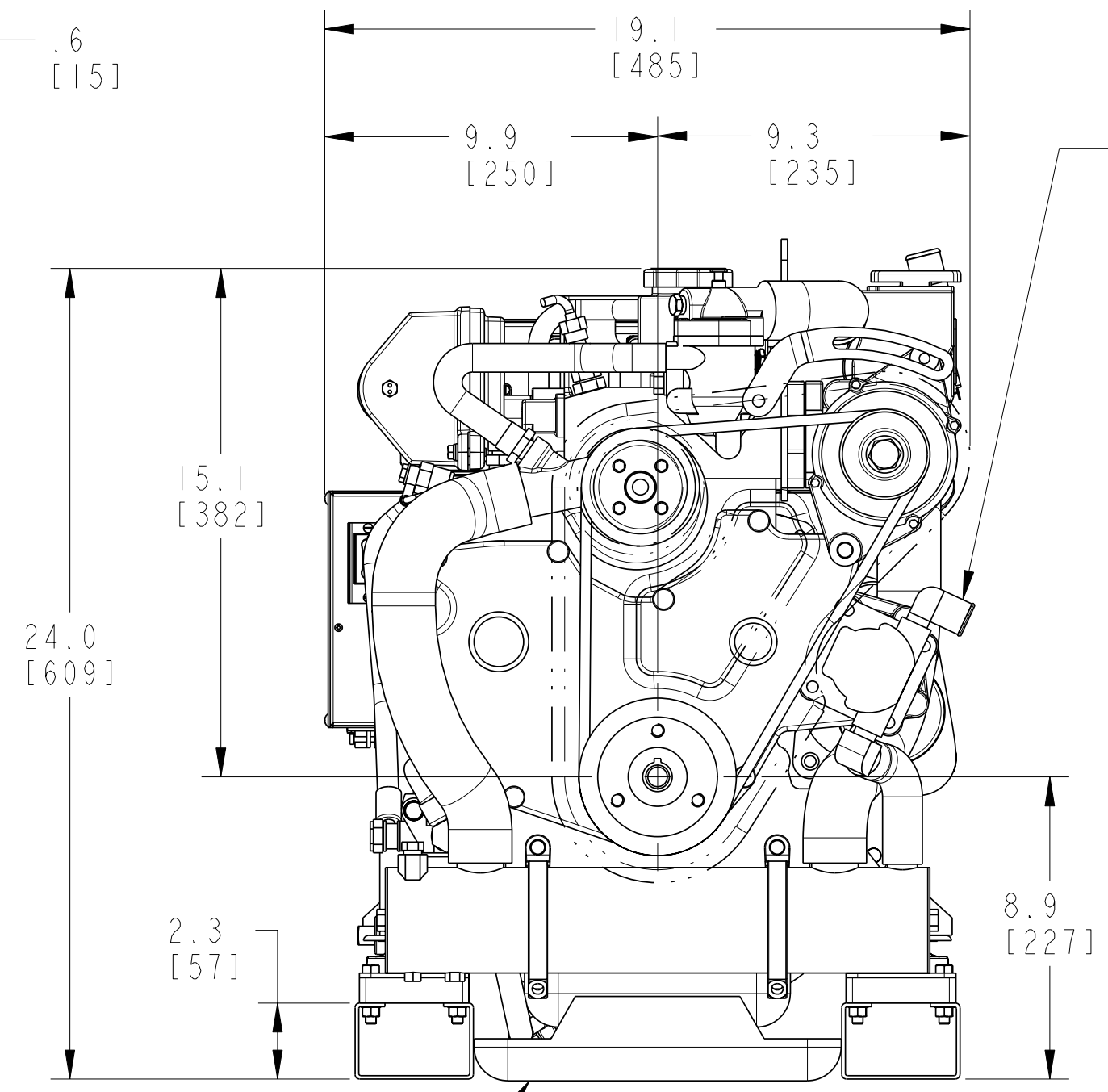
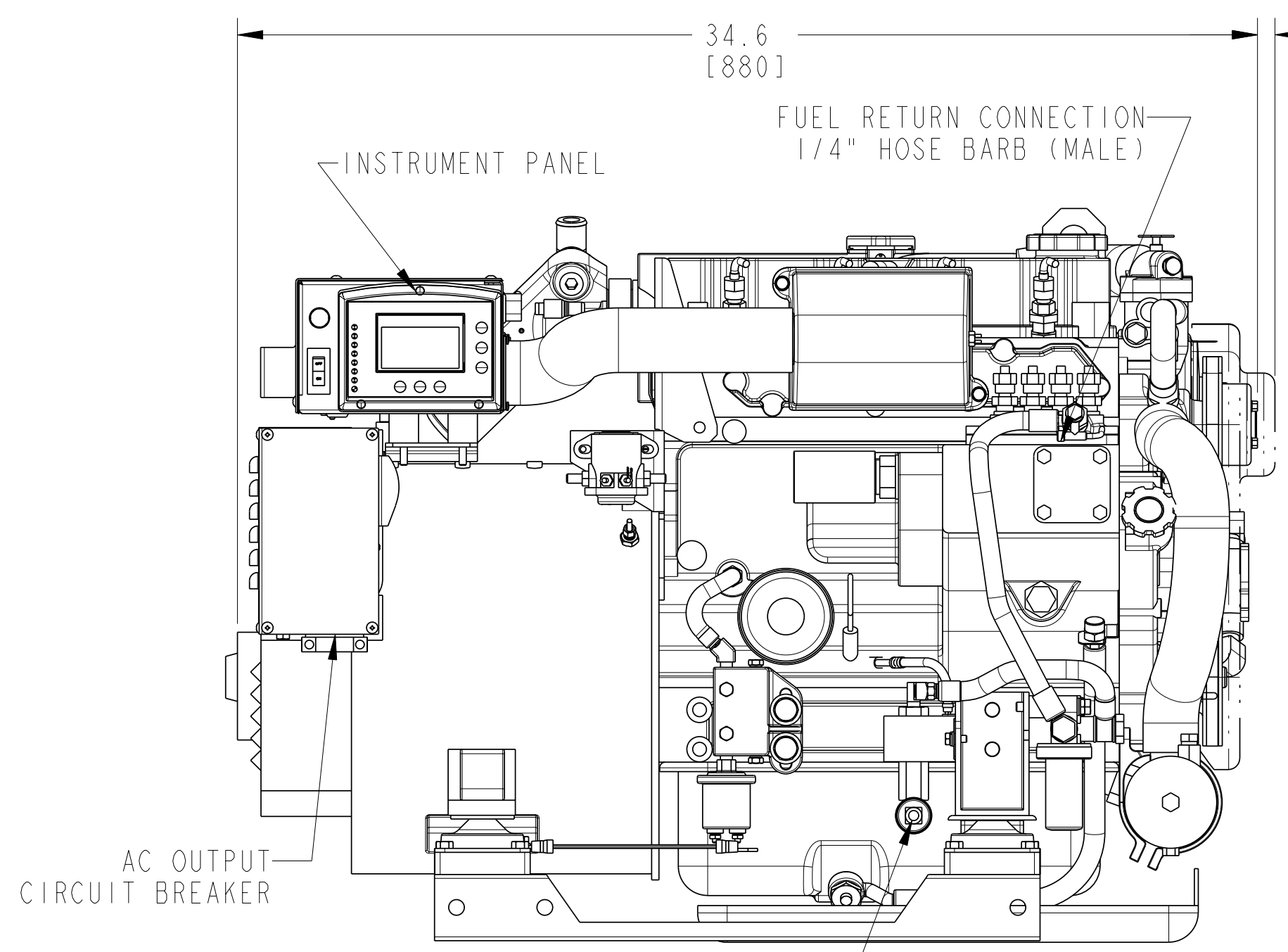


M12x.75 THREAD, 1.0 (25.4) DEEP
 (3) HOLES EQUALLY SPACED ON A
 Ø 3.34 (85.0) B.C.



MODEL WITH 50 AMP ALTERNATOR

TOLERANCES (UNLESS OTHERWISE NOTED)		WESTERBEKE CORPORATION TAUNTON, MA. 02780			
INCHES	MILLIMETERS	TITLE INSTALLATION DRAWING			
.XX : .02	X : ± 1.0	12.5-15.0 EDT@60Hz, 9.4-12.0 EDT@50Hz			
.XXX : .005	XX : ± .5	DRAWN BY GA			
CAST : .03	.XX : ± .13	DATE 24/May/2007			
ANGLES : 5°		MATERIAL:			
FINISH : Ⓢ		APPROVED BY			
DIMENSIONS		DATE			
INCHES		SCALE 0.218			
MILLIMETERS		SIZE			
(WHEN APPLICABLE)		DRAWING NUMBER			
		SHT. 1 OF 2			
		D 53426			
		REV.			
		-			