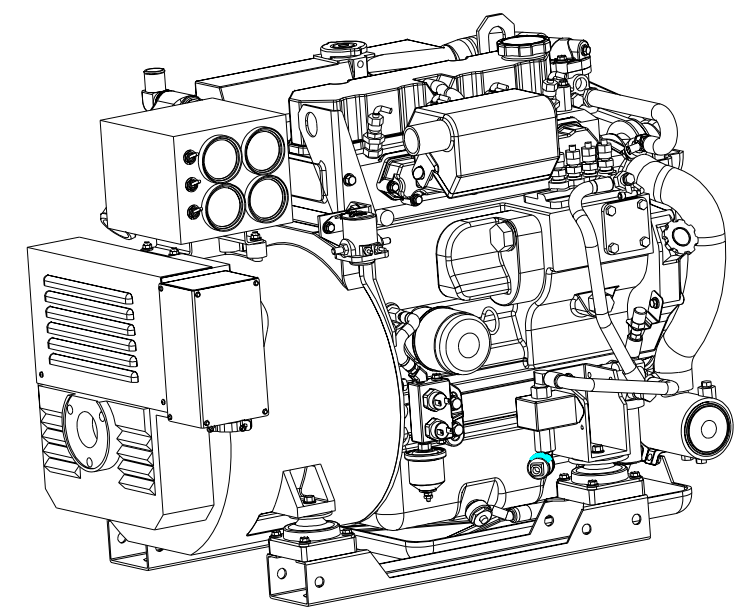
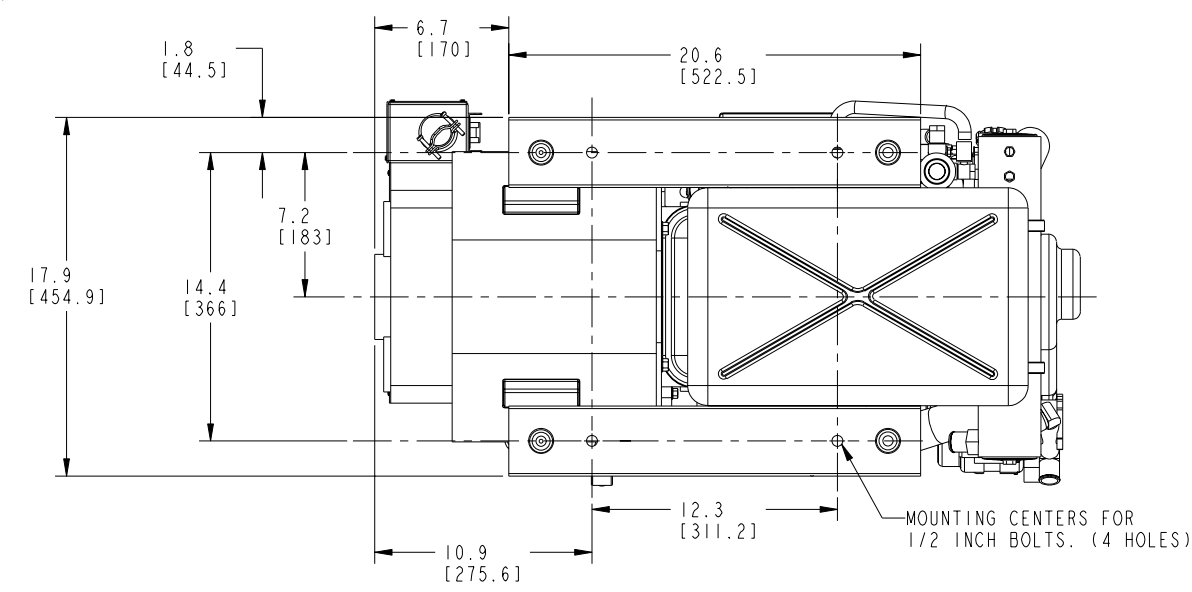
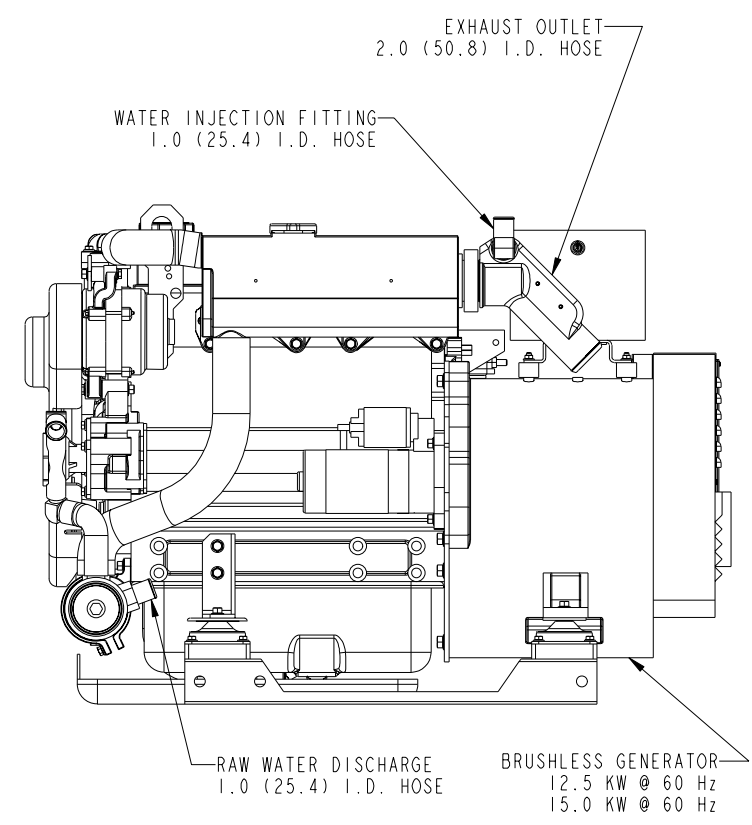
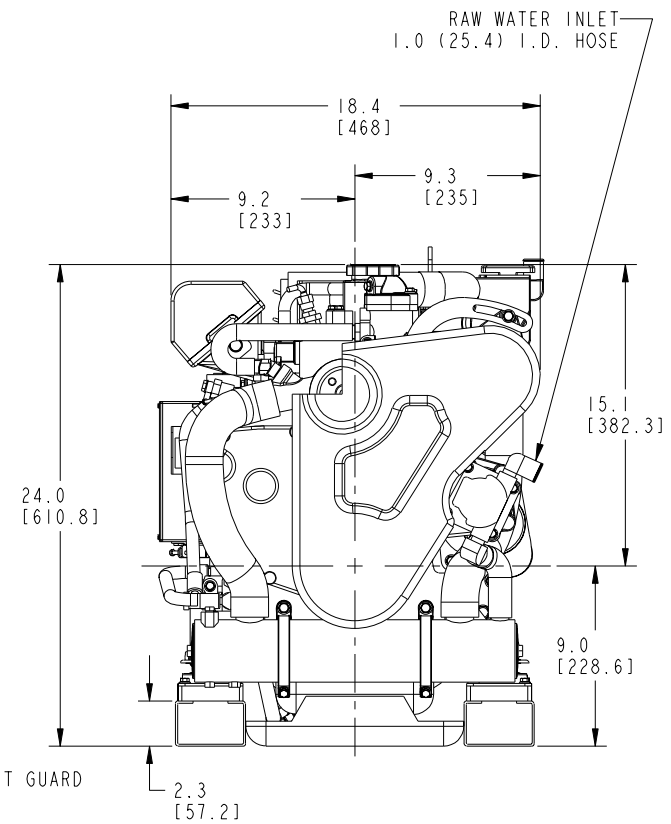
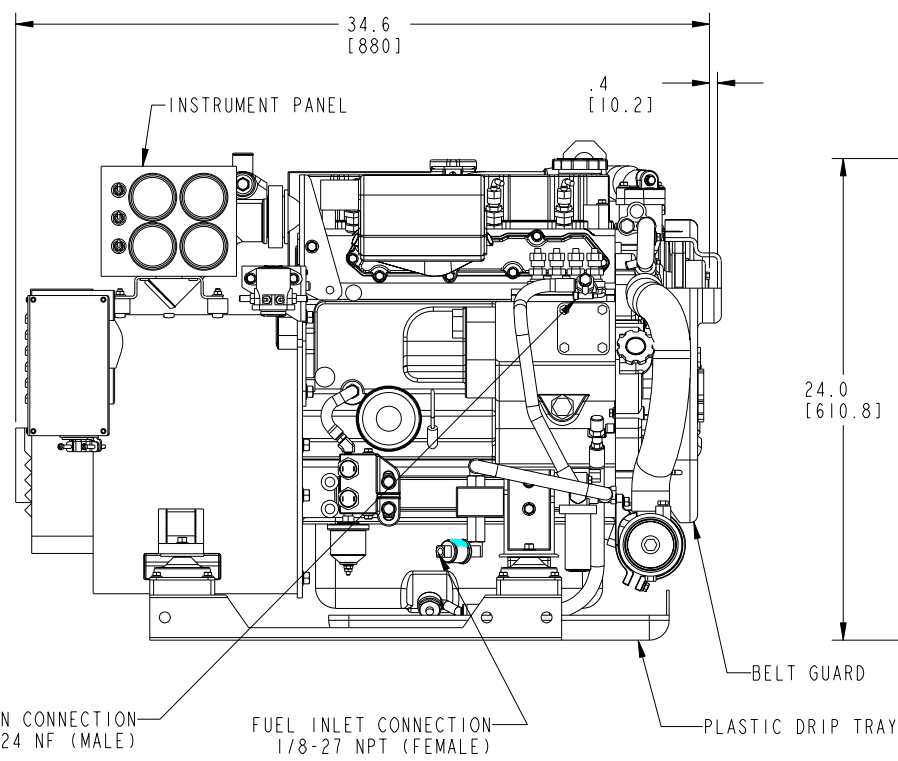
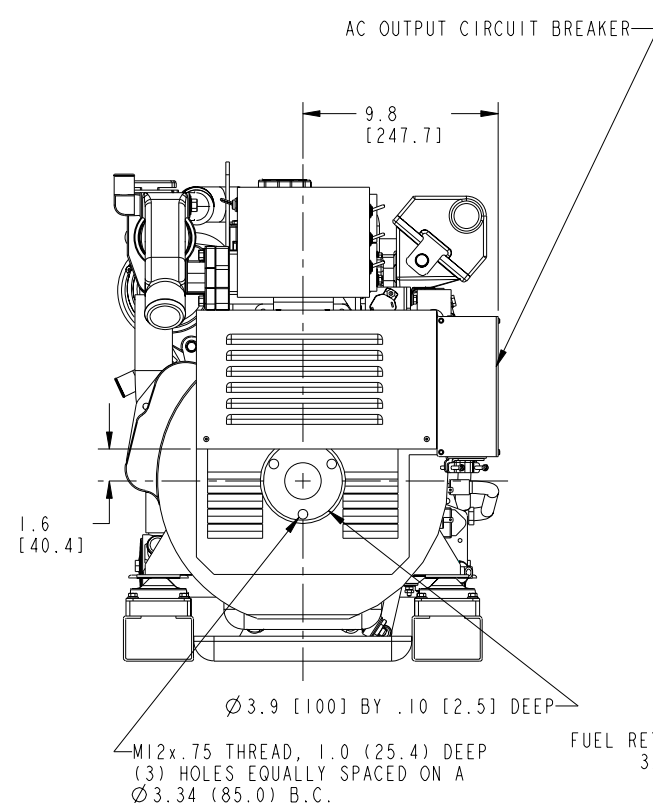
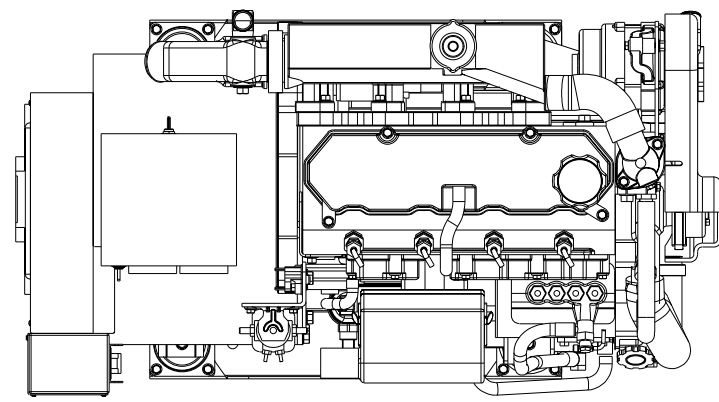


ECO NO.	DATE	REV.	REVISION RECORD	AUTH.	DR. BY
4325	11-30-99	A	REVISED BREAKER BOX MOUNTING		JM
5337	7-30-02	B	UPDATE ASM TO REFLECT CURRENT BOM		BM
5424	12-12-02	C	ADDED PART #48076 TO ASSEMBLY		BM



SCALE 0.218

MODEL WITH 50 AMP ALTERNATOR

TOLERANCES (UNLESS OTHERWISE NOTED)		WESTERBEKE CORPORATION TAUNTON, MA. 02780	
INCHES	MILLIMETERS	TITLE	
.XX	.X ± 1.0	INSTALLATION DRAWING	
.XXX	.X ± .5	12.5 KW BTDB AND 15.0 KW BTDC	
CAST	.XX ± .13	DRAWN BY JM	
ANGLES	.5°	DATE 14/Jul/99	
FINISH		MATERIAL:	
DIMENSIONS		APPROVED BY	
INCHES		DATE	
MILLIMETERS		SCALE 0.218	
(WHEN APPLICABLE)		SIZE D	
SHT. 1 OF 1		DRAWING NUMBER 44196	
		REV. C	