

ECO NO.	DATE	REV.	REVISION RECORD	AUTH.	DR. BY
5425	12-12-02	A	ADDED PART #48076 TO ASSEMBLY		BM
6089	10-20-05	B	UPDATE DRAWING WITH NEW CARBURETOR.		GA

AC OUTPUT CIRCUIT BREAKER

INSTRUMENT PANEL

BELT GUARD

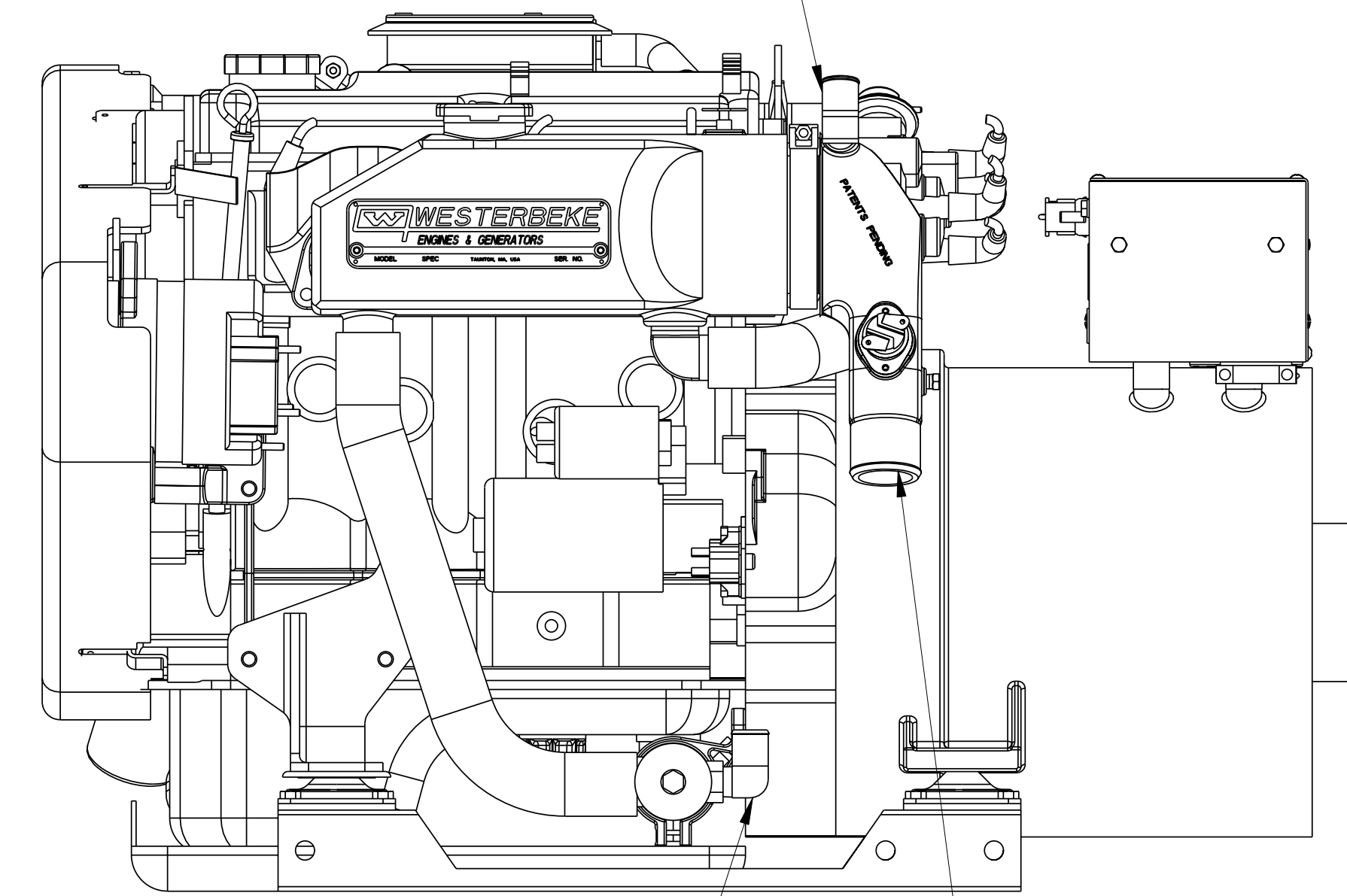
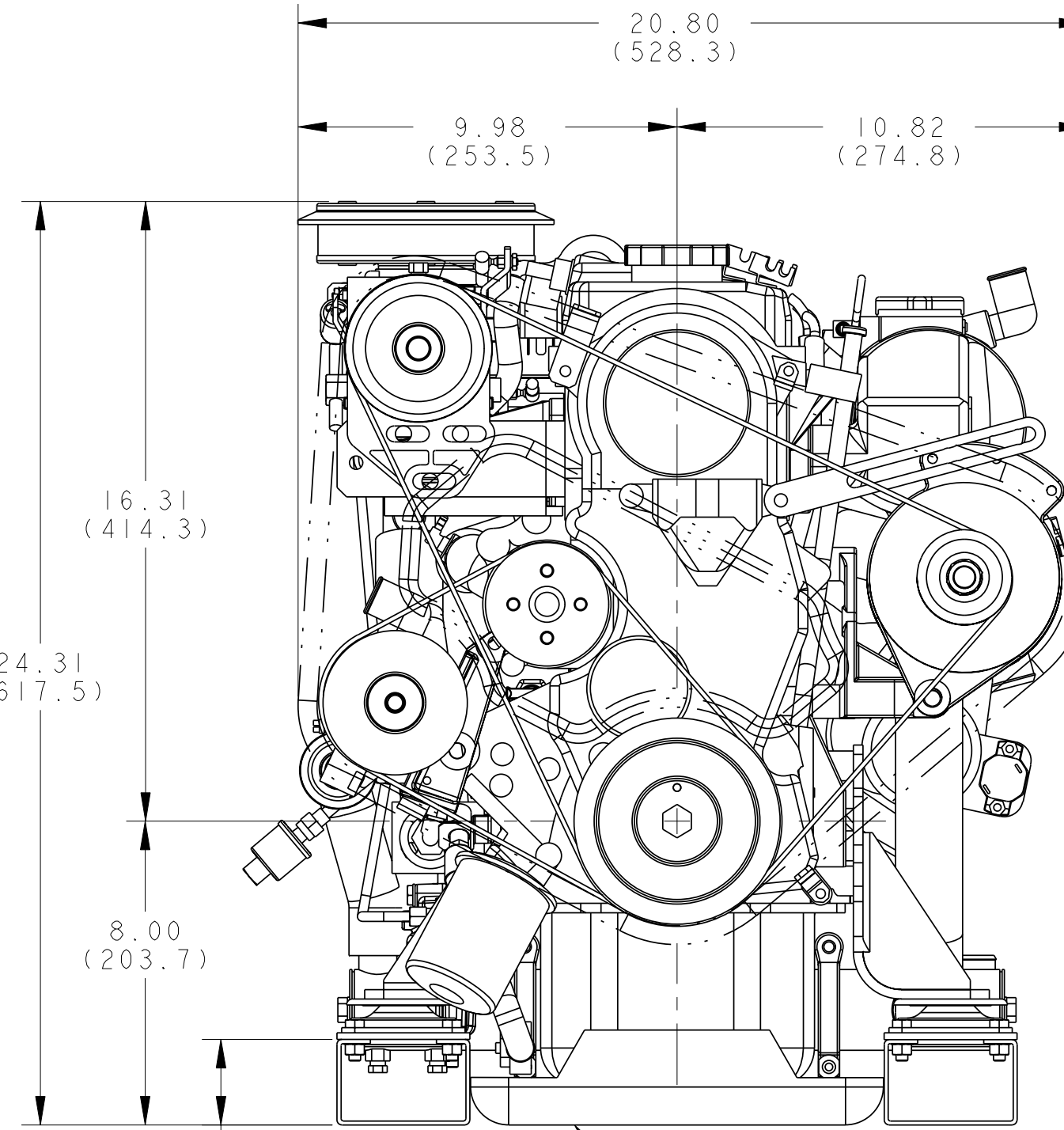
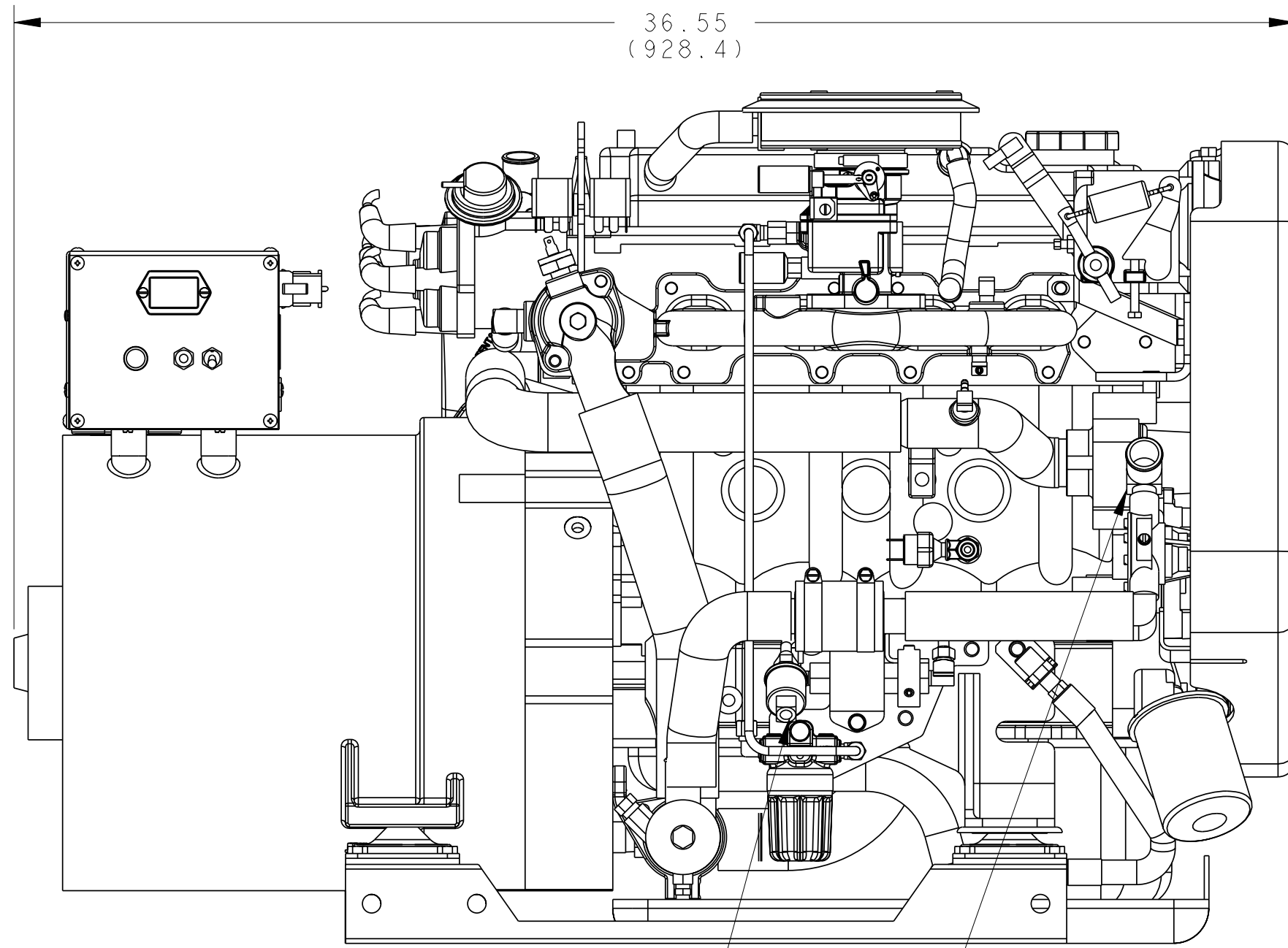
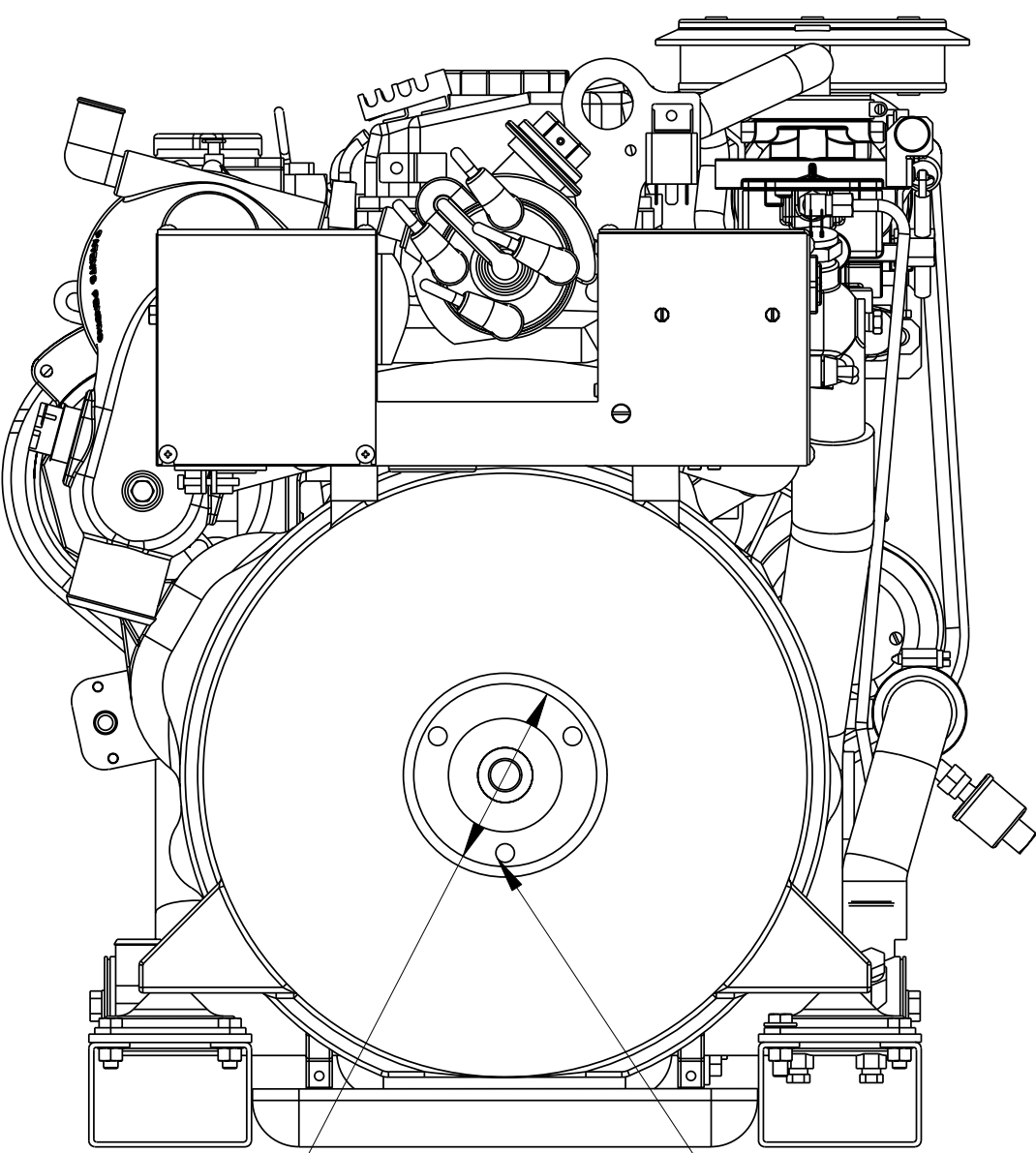
36.55
(928.4)

20.80
(528.3)

9.98
(253.5)

10.82
(274.8)

WATER INJECTION INLET
1.00 (25.4) ID HOSE



M12x1.75 -3 PLACES
EQUALLY SPACED ON A
Ø3.35 (85.0) B.C.
Ø3.94 (100.0) BY
.10 (2.5) DEEP

RAW WATER INLET
1.00 (25.4) ID HOSE
FUEL INLET CONNECTION
1/8-27 NPT (FEMALE)

PLASTIC DRIP TRAY

RAW WATER DISCHARGE
1.00 (25.4) ID HOSE

EXHAUST OUTLET
2.00 (50.8) ID HOSE

9.45
(240.0)

20.57
(522.5)

6.53
(165.9)

MOUNTING CENTERS FOR
1/2" BOLTS -4 PLACES

1.75
(44.5)

17.91
(454.9)

14.41
(366.0)

4.16
(105.6)

12.25
(311.2)

4.16
(105.6)

TOLERANCES (UNLESS OTHERWISE NOTED)		WESTERBEKE CORPORATION TAUNTON MA. 02780	
INCHES	MILLIMETERS	TITLE	
.XX : .02	.X : .1	INSTALLATION DRAWING	
.XXX : .005	.X : .XX	15.0 KW BEG	
CAST : .03	.XX :		
ANGLES : 9°			
FINISH : 63			
DIMENSIONS		DRAWN BY	DATE
INCHES		Jeremy Anderson	02/Jul/01
MILLIMETERS		APPROVED BY	DATE
(WHEN APPLICABLE)			
SCALE 0.250	SIZE	DRAWING NUMBER	REV.
SHT. 1 OF 2	D	46481	B