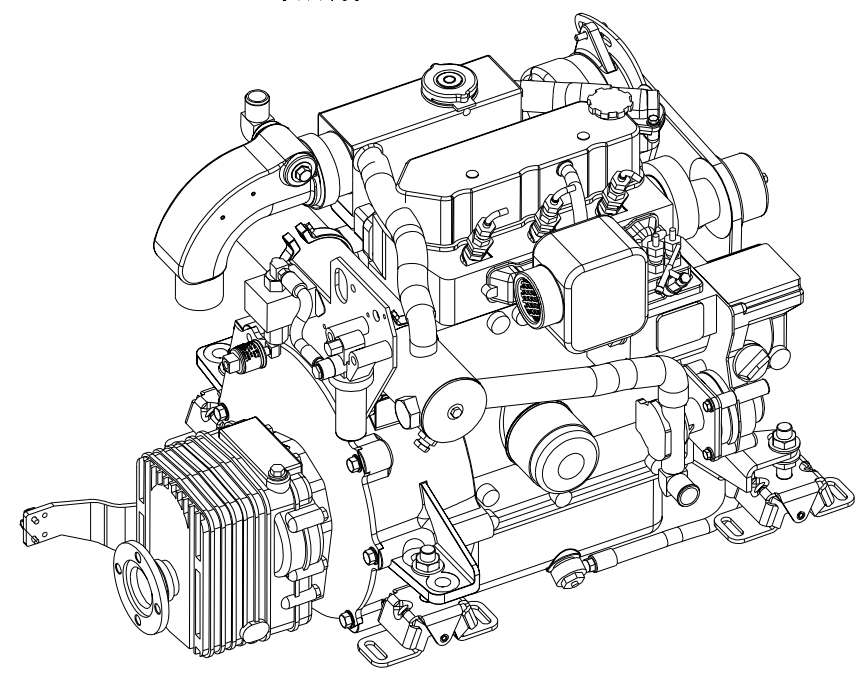
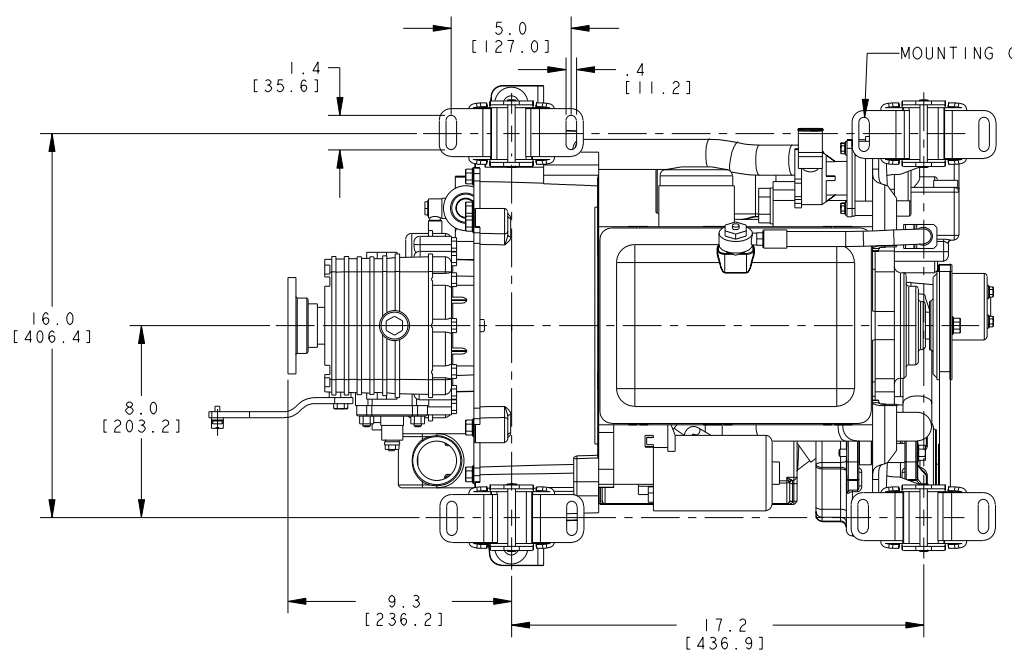
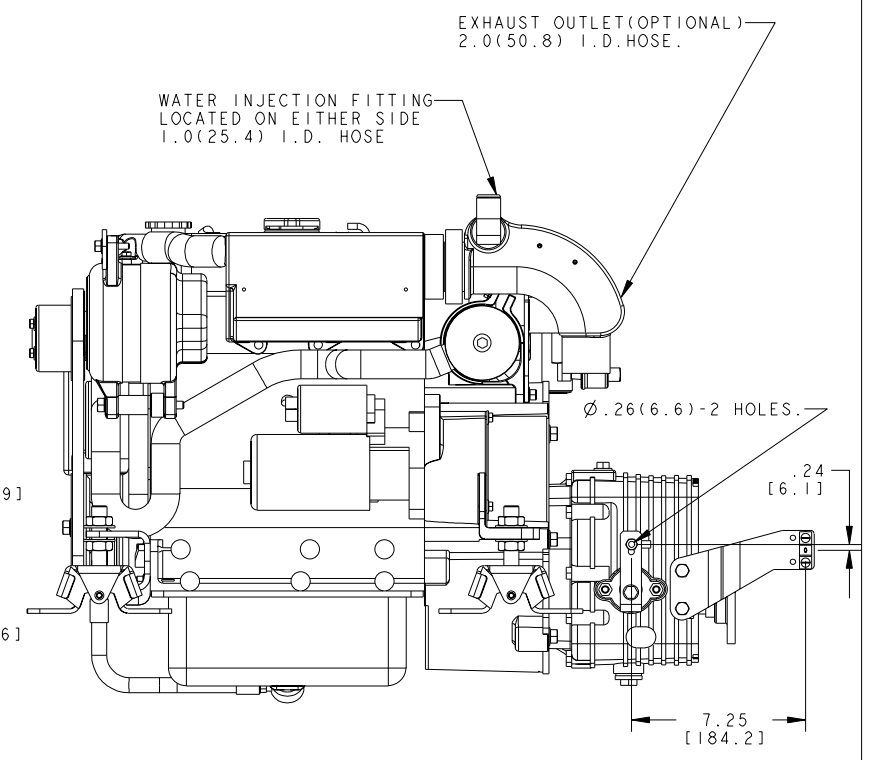
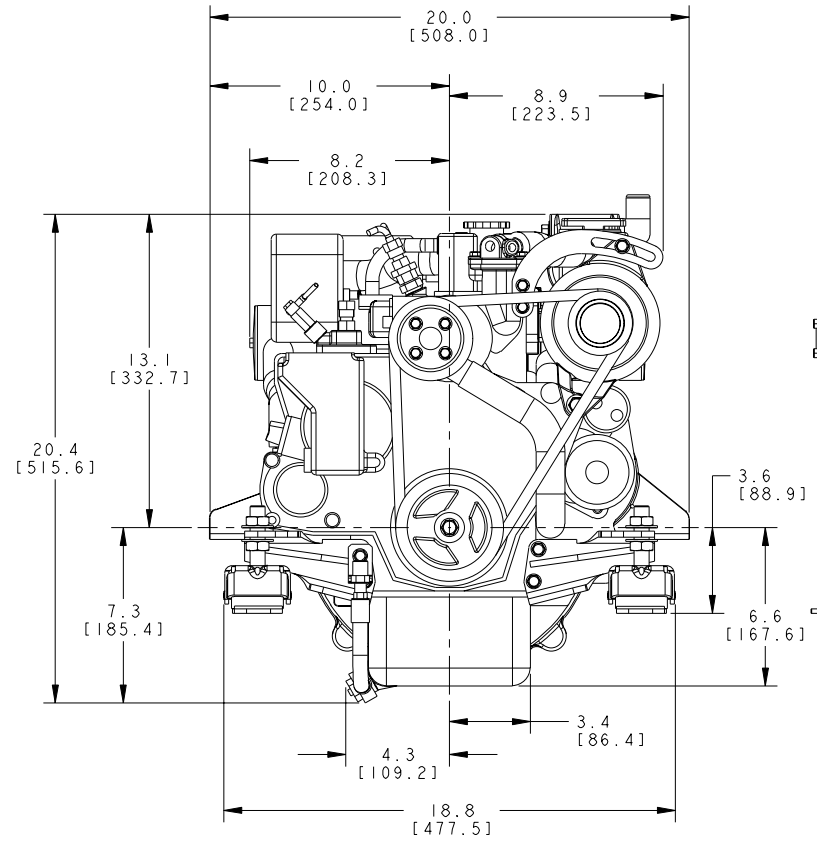
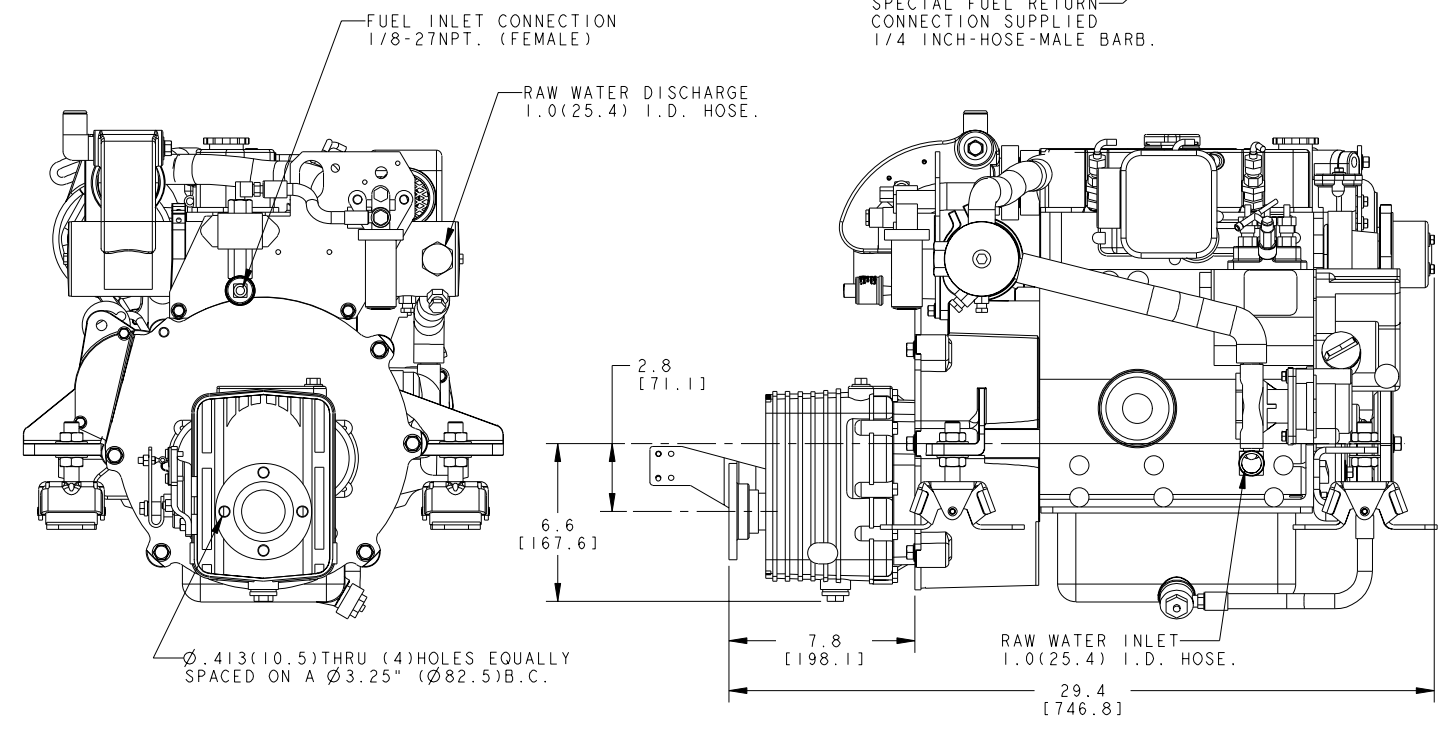
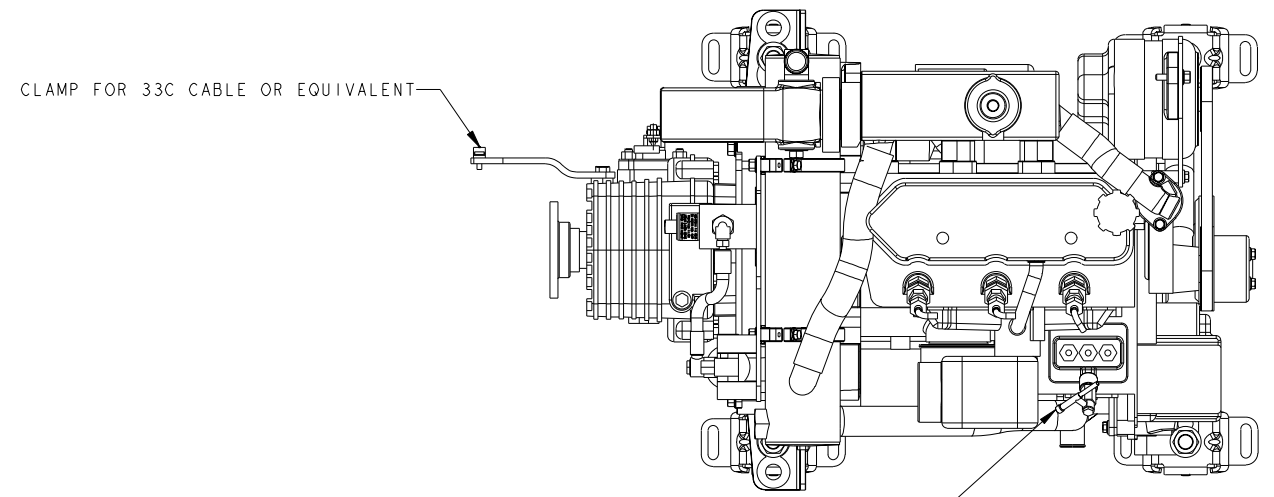


ECO NO.	DATE	REV.	REVISION RECORD	AUTH.	DR. BY
5361	9-6-02	A	UPDATE ASM TO REFLECT CURRENT BOM		BM
5426	12-12-02	B	ADDED PART #48076 TO ASSEMBLY		BM
5683	3-1-04	C	CHANGE ALT. FROM .30594 TO 49245		GA



TOLERANCES (UNLESS OTHERWISE NOTED)		WESTERBEKE CORPORATION TAUNTON MA. 02780	
INCHES	MILLIMETERS	TITLE	
.XX : .02	X : .1	INSTALLATION DRAWING	
.XXX : .005	.X : .05	30B WITH PRM80 TRANSMISSION.	
CAST : .03	.XX :	DRAWN BY	DATE
FINISH : S		BRONIUS SKRABULIS	09/Jul/01
		APPROVED BY	DATE
DIMENSIONS		SCALE 0.250	SIZE
INCHES			DRAWING NUMBER
MILLIMETERS			46484
(WHEN APPLICABLE)		SHT. 1 OF 1	REV. C