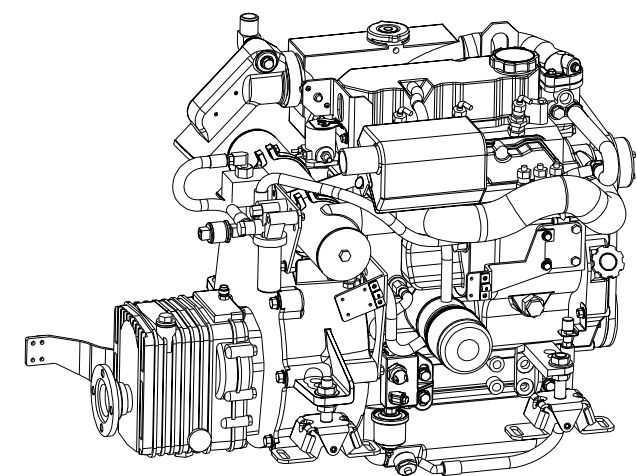
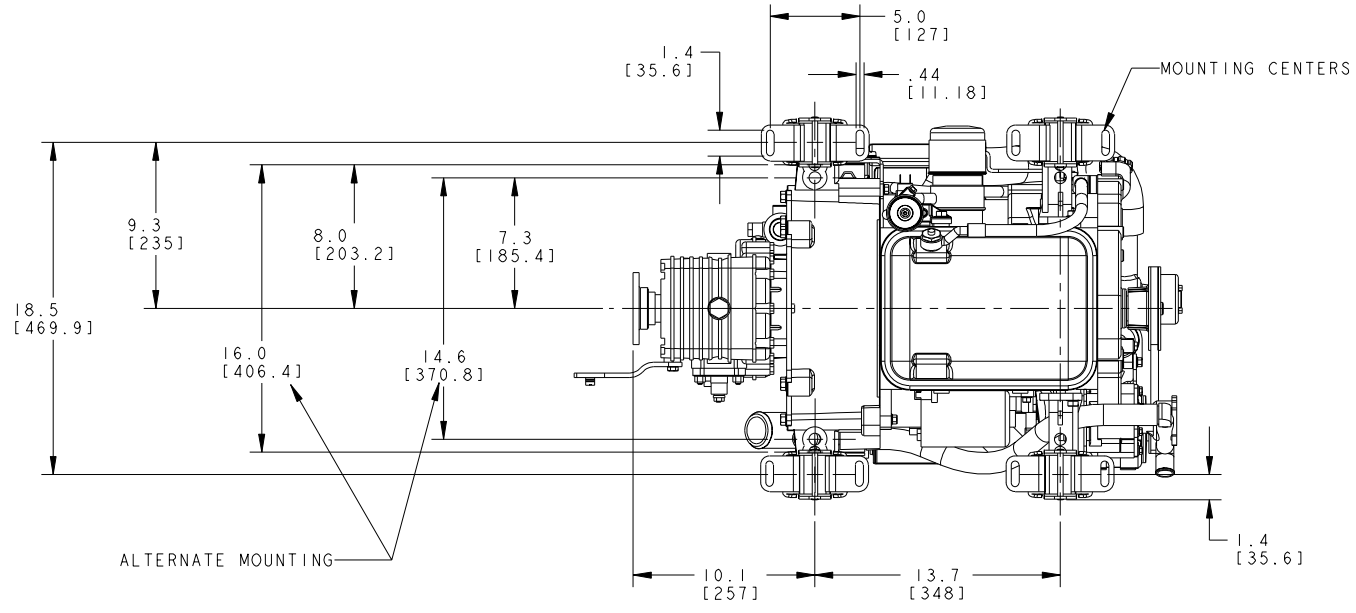


Ø .413 (10.5) THRU (4) HOLES EQUALLY SPACED ON A 3.25 (82.5) ØB.C.



MODEL WITH 50 AMP ALTERNATOR

TOLERANCES (UNLESS OTHERWISE NOTED)		WESTERBEKE CORPORATION TAUNTON, MA. 02780	
INCHES	MILLIMETERS	TITLE	
.XX : .02	X ± 1.0	INSTALLATION DRAWING	
.XXX : .005	.X ± .5	35D THREE WITH PRM120 TRANSMISSION	
CAST : .03	.XX ± .13	DRAWN BY	DATE
FINISH $\frac{1}{8}$		GA	20/May/03
DIMENSIONS		APPROVED BY	MATERIAL:
INCHES		DATE	---
MILLIMETERS		SCALE 0.187	SIZE
(WHEN APPLICABLE)		SHT. 1 OF 2	DRAWING NUMBER
		D	43763
			REV.
			-