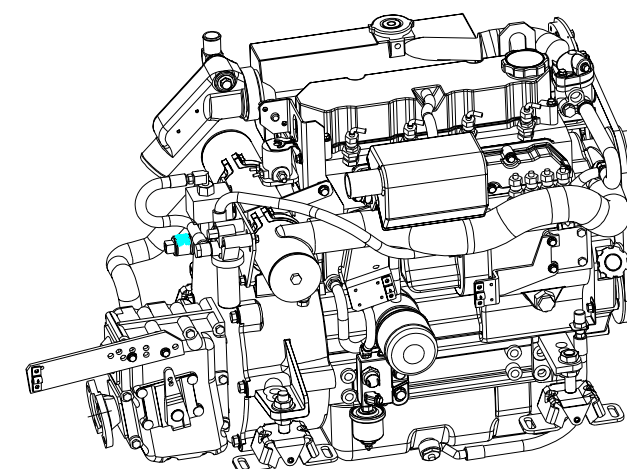
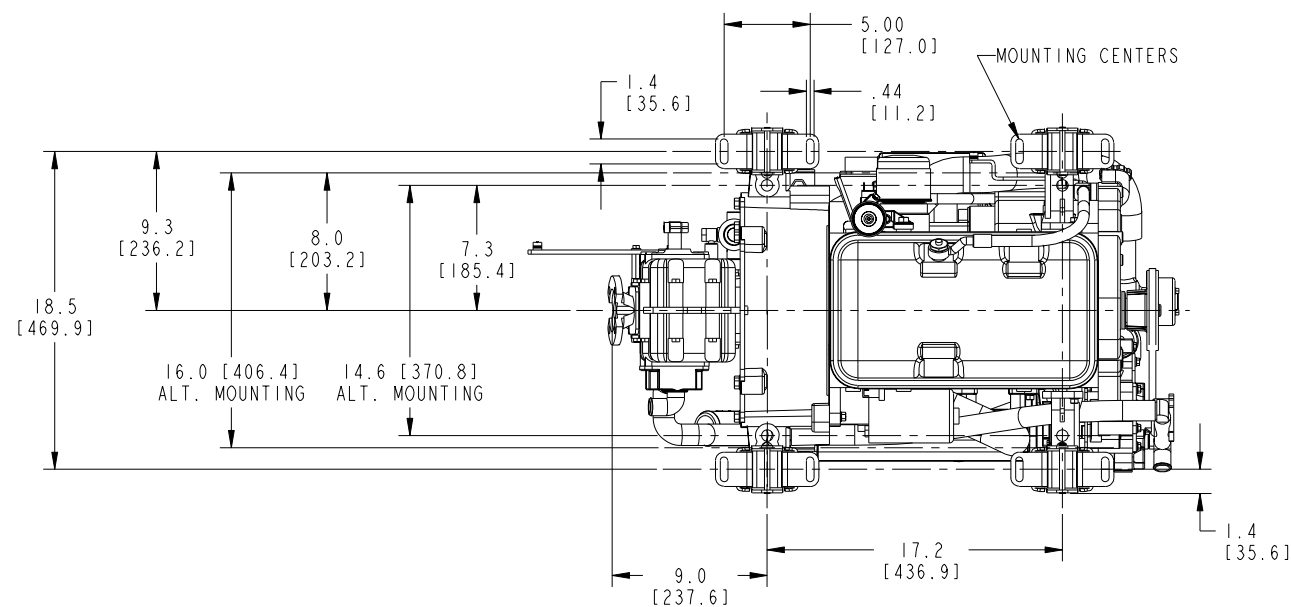
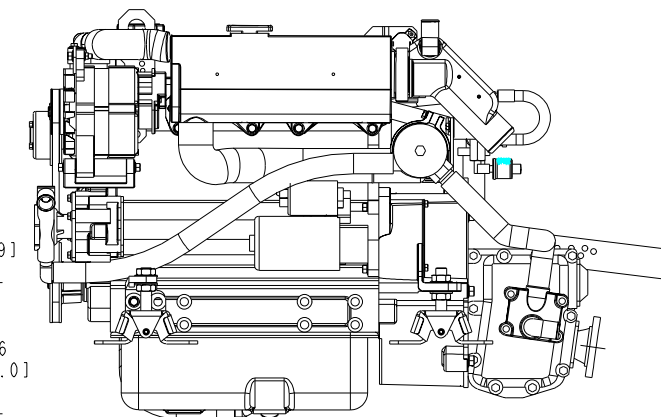
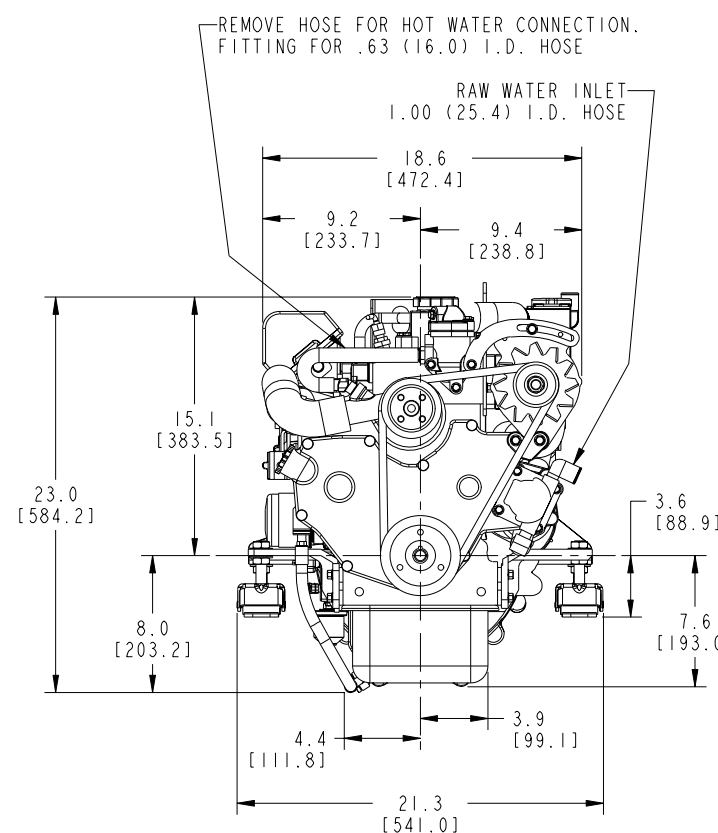
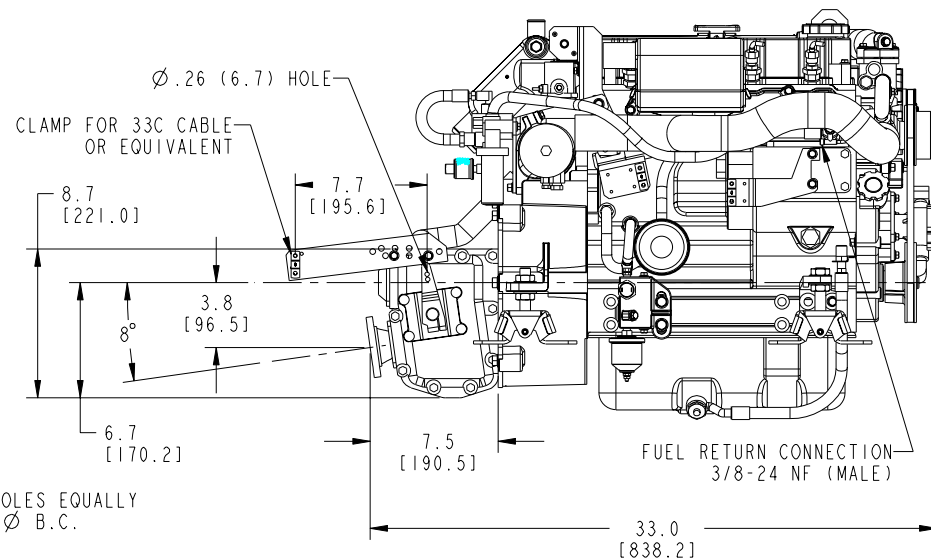
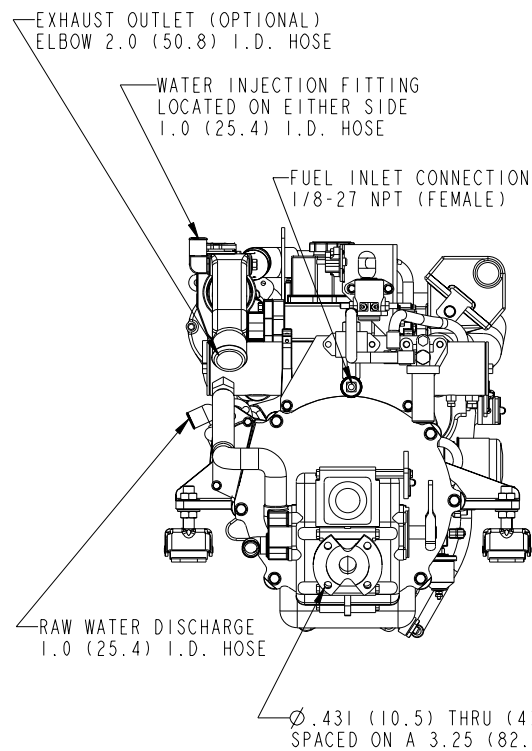
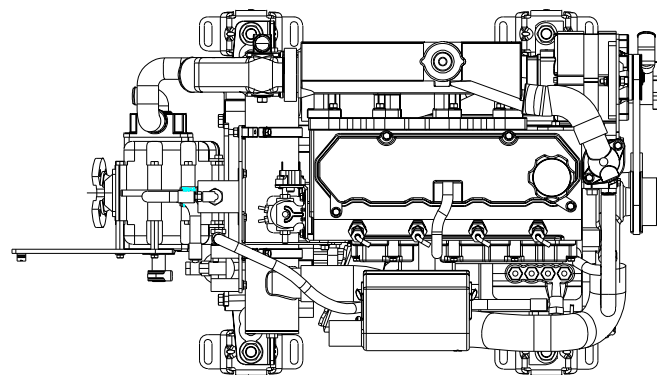


ECO NO.	DATE	REV.	REVISION RECORD	AUTH.	DR. BY
5317	07-09 2002	A	UPDATE ASM TO REFLECT CURRENT BOM		BM
5426	12-12 02	B	ADDED PART #48076 TO ASSEMBLY		BM



MODEL WITH 72 AMP ALTERNATOR

TOLERANCES (UNLESS OTHERWISE NOTED)		WESTERBEKE CORPORATION TAUNTON, MA. 02780	
INCHES .XX : .02 .XXX : .005 CAST : .03 ANGLES : .5° FINISH : Ⓢ	MILLIMETERS X : ± 1.0 .X : ± .5 .XX : ± .13	TITLE INSTALLATION DRAWING 44A FOUR WITH HBW150A TRANSMISSION	
DIMENSIONS		DRAWN BY BM	DATE 02/Jul/02
APPROVED BY		MATERIAL:	
SCALE : 1:1		SIZE D	DRAWING NUMBER 44109
(WHEN APPLICABLE)		SHT. 1 of 1	REV. B