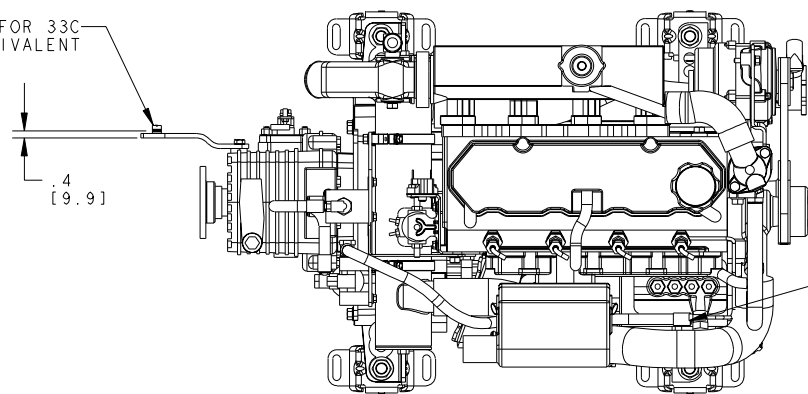


CLAMP FOR 33C
CABLE OR EQUIVALENT



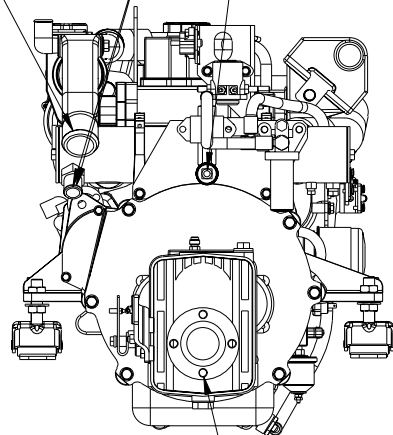
FUEL RETURN CONNECTION
1/4 HOSE BARB (MALE)

.4
[9.9]

EXHAUST OUTLET (OPTIONAL 90°)
ELBOW 2.0 [50.8] I.D. HOSE

RAW WATER DISCHARGE
1.0 [25.4] I.D. HOSE

FUEL INLET CONNECTION
1/8-27 NPT (FEMALE)



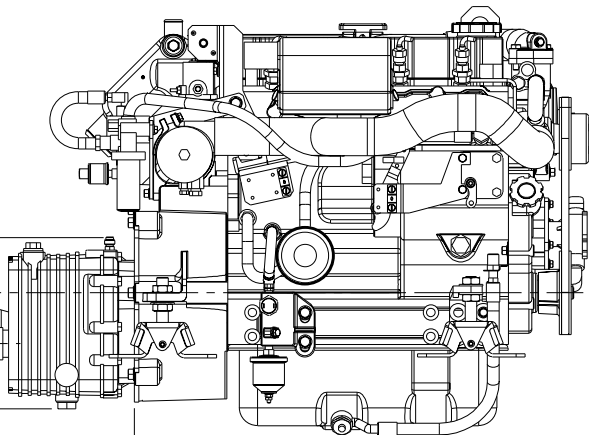
Ø.413 THRU (4) HOLES
[10.49]
EQUALLY SPACED ON A
3.25 [82.5] Ø B.C.

9.5
[242.2]

6.5
[164]

2.8
[72]

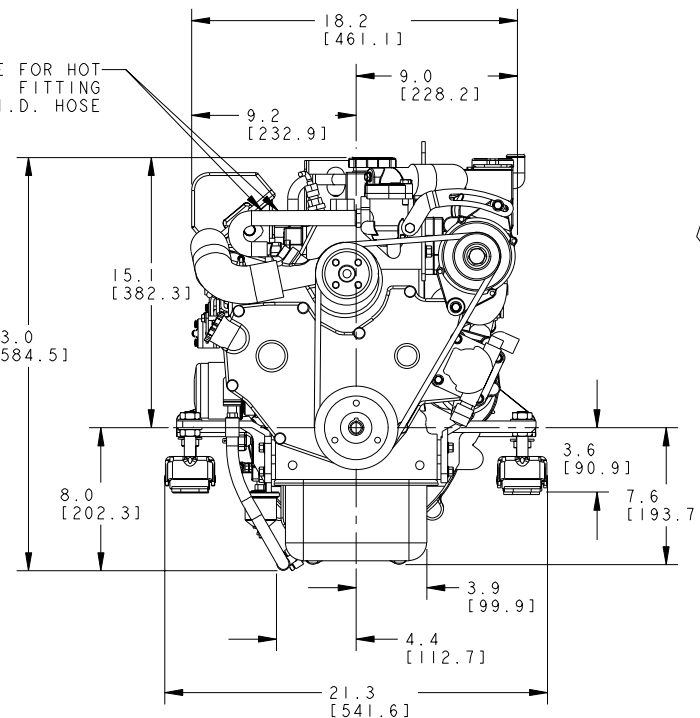
3.6
[91.9]



8.6
[217.3]

34.1
[865.6]

REMOVE HOSE FOR HOT
WATER CONNECTION. FITTING
FOR .63 [16.0] I.D. HOSE



23.0
[584.5]

15.1
[382.3]

8.0
[202.3]

21.3
[541.6]

18.2
[461.1]

9.2
[232.9]

9.0
[228.2]

3.6
[90.9]

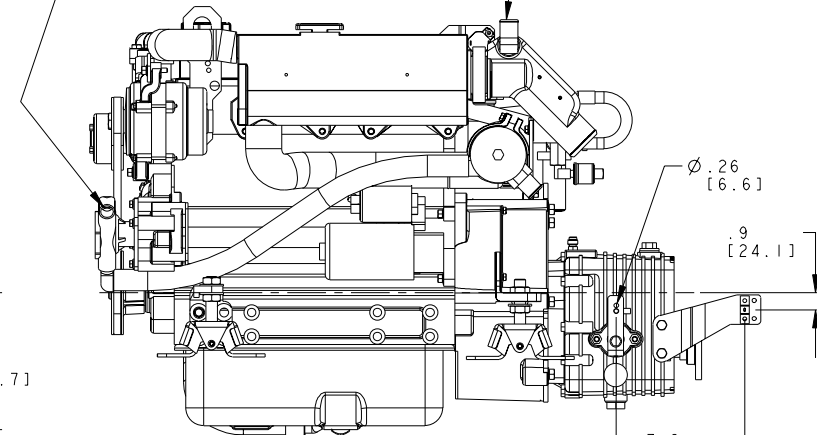
3.9
[99.9]

4.4
[112.7]

7.6
[193.7]

RAW WATER INLET
1.0 [25.4] I.D. HOSE

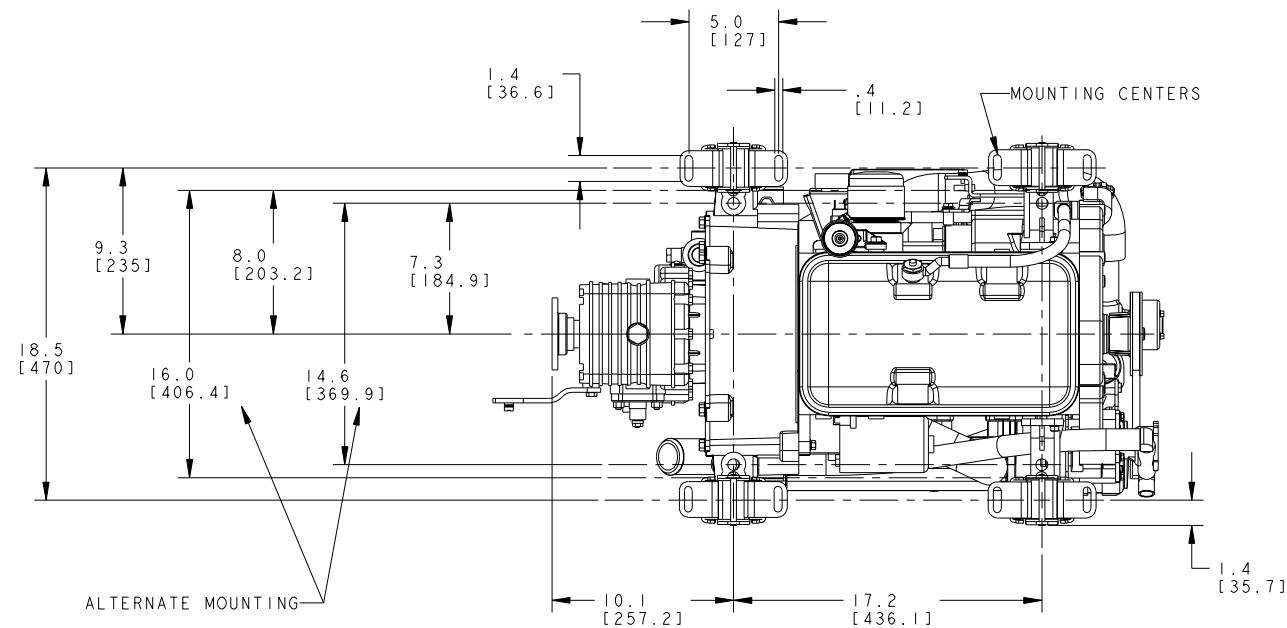
WATER INJECTION FITTING
LOCATED ON EITHER SIDE
1.0 [25.4] I.D. HOSE



Ø.26
[6.6]

9
[24.1]

7.2
[181.6]



ALTERNATE MOUNTING

18.5
[470]

9.3
[235]

16.0
[406.4]

8.0
[203.2]

14.6
[369.9]

7.3
[184.9]

1.4
[36.6]

5.0
[127]

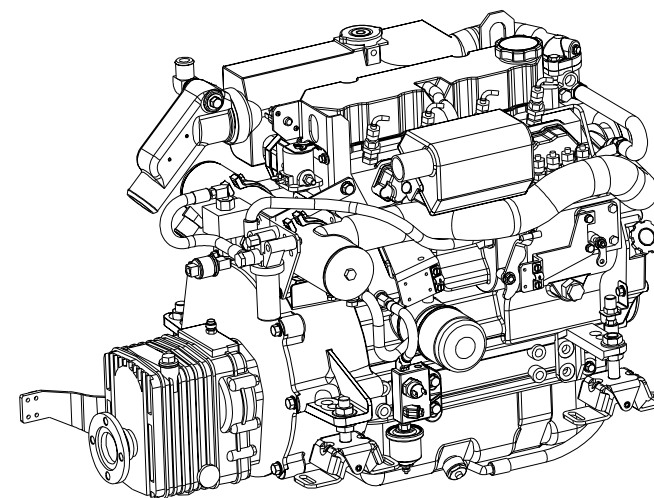
4
[11.2]

10.1
[257.2]

17.2
[436.1]

MOUNTING CENTERS

1.4
[35.7]



MODEL WITH 50 AMP ALTERNATOR

TOLERANCES (UNLESS OTHERWISE NOTED)		WESTERBEKE CORPORATION TAUNTON, MA. 02780	
INCHES	MILLIMETERS	TITLE	
.XX : .02	X ± 1.0	INSTALLATION DRAWING	
.XXX : .005	.X ± .5	44B FOUR WITH PRM120 TRANSMISSION	
CAST : .03	.XX ± .13	DRAWN BY	
FINISH		DATE	
		28/Jun/02	
DIMENSIONS		MATERIAL:	
INCHES		---	
MILLIMETERS		---	
(WHEN APPLICABLE)		---	
APPROVED BY		DATE	
SCALE: .187		SIZE	
SHT. 1 OF 1		DRAWING NUMBER	
		47969	
		REV.	
		A	