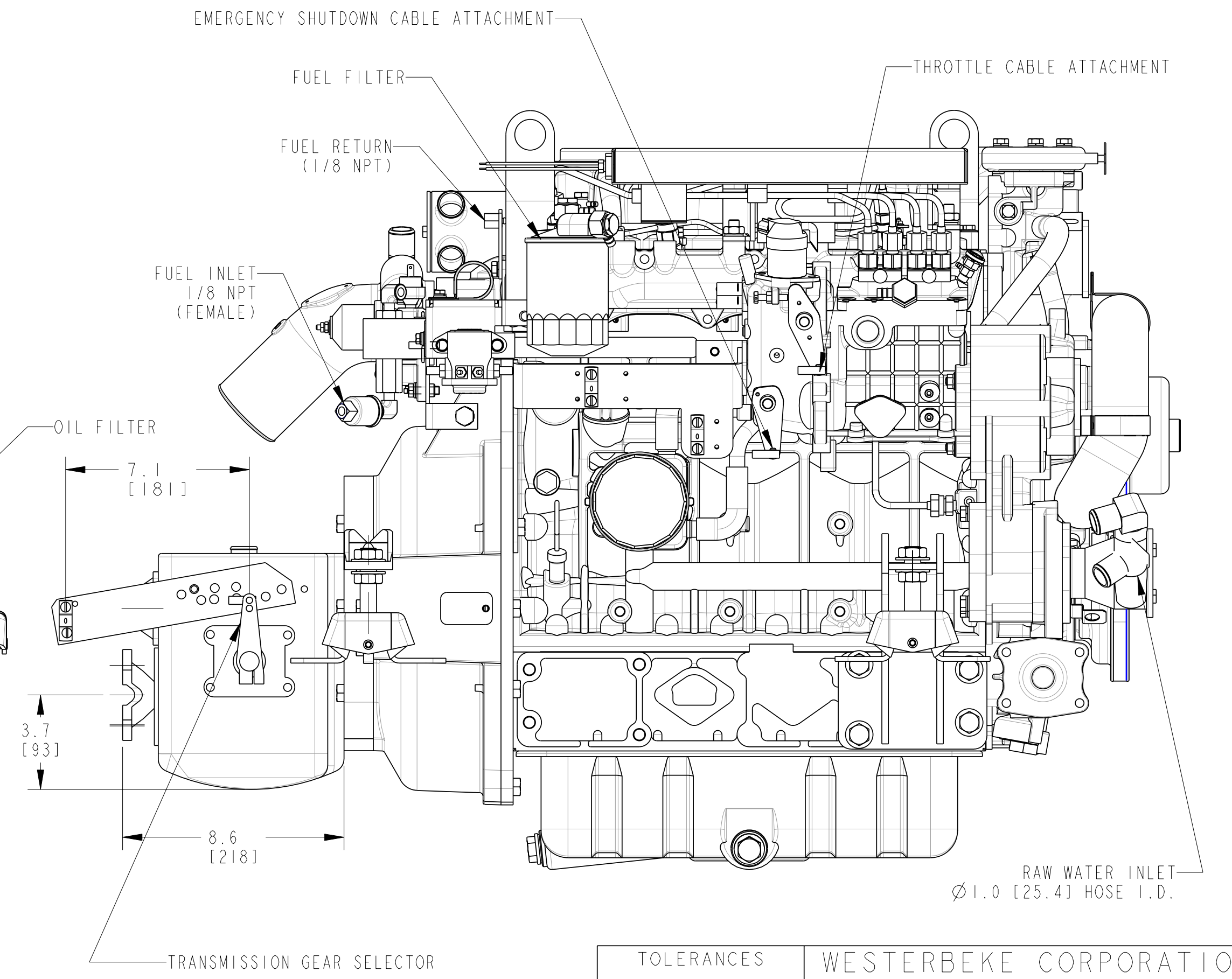
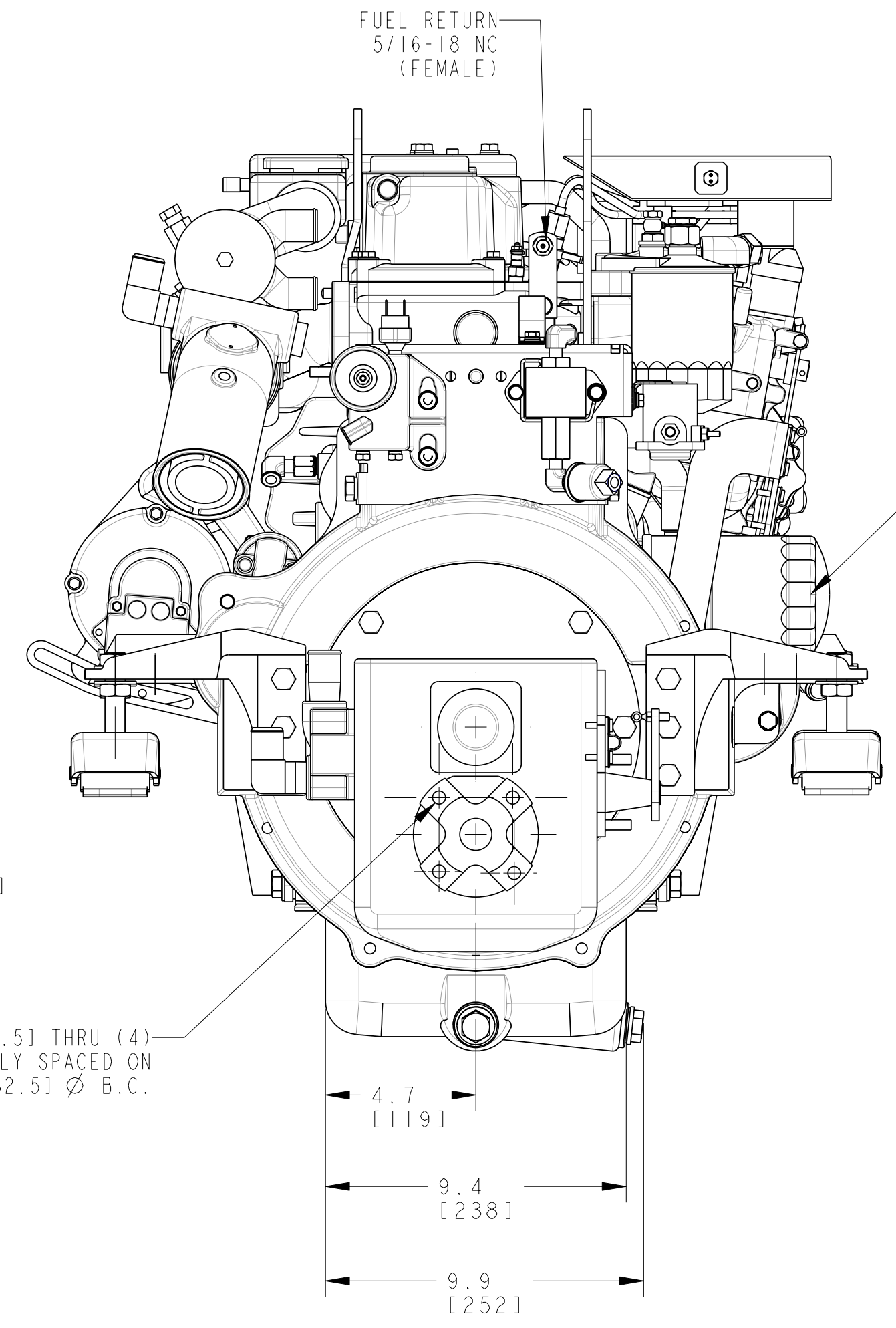
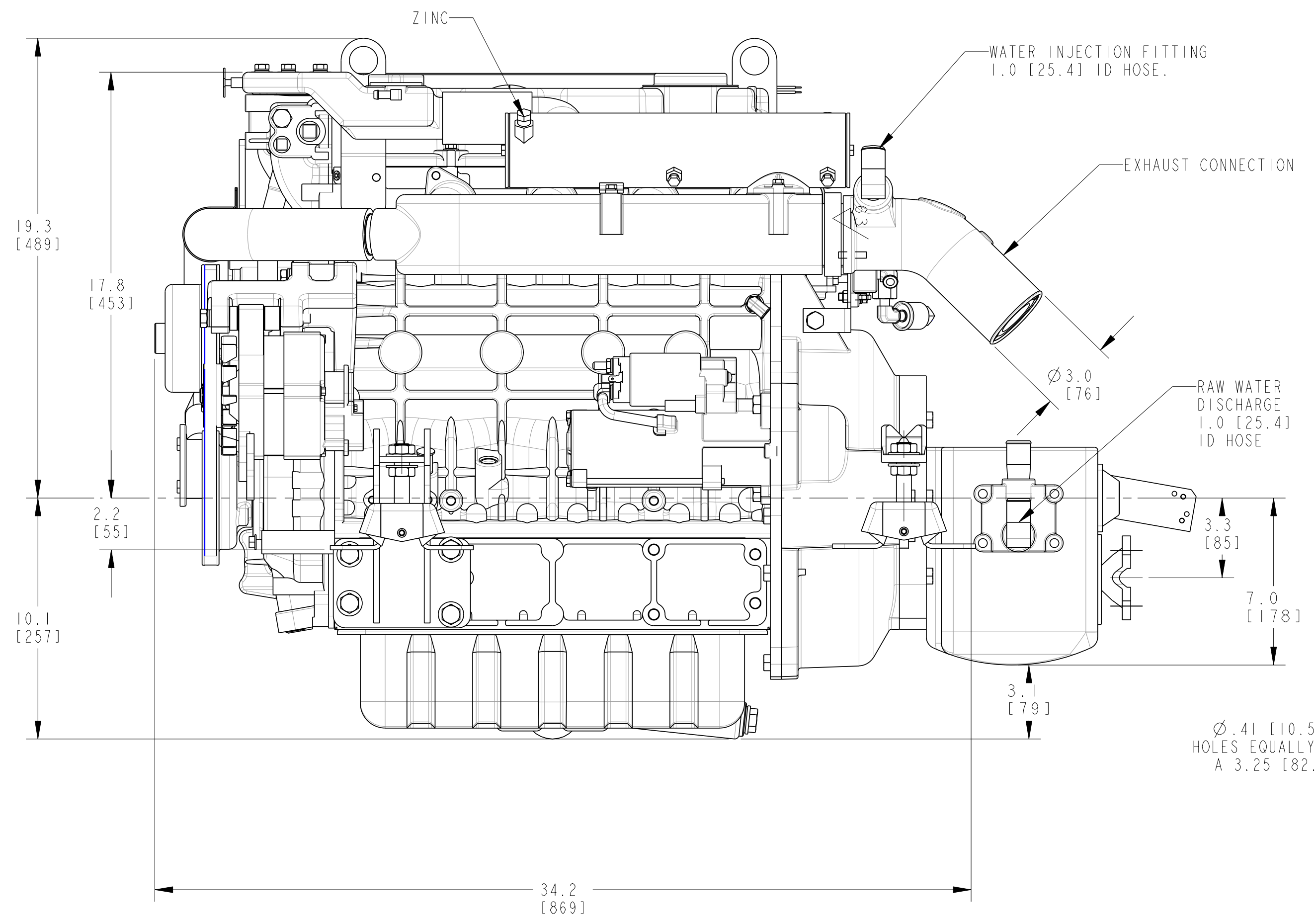
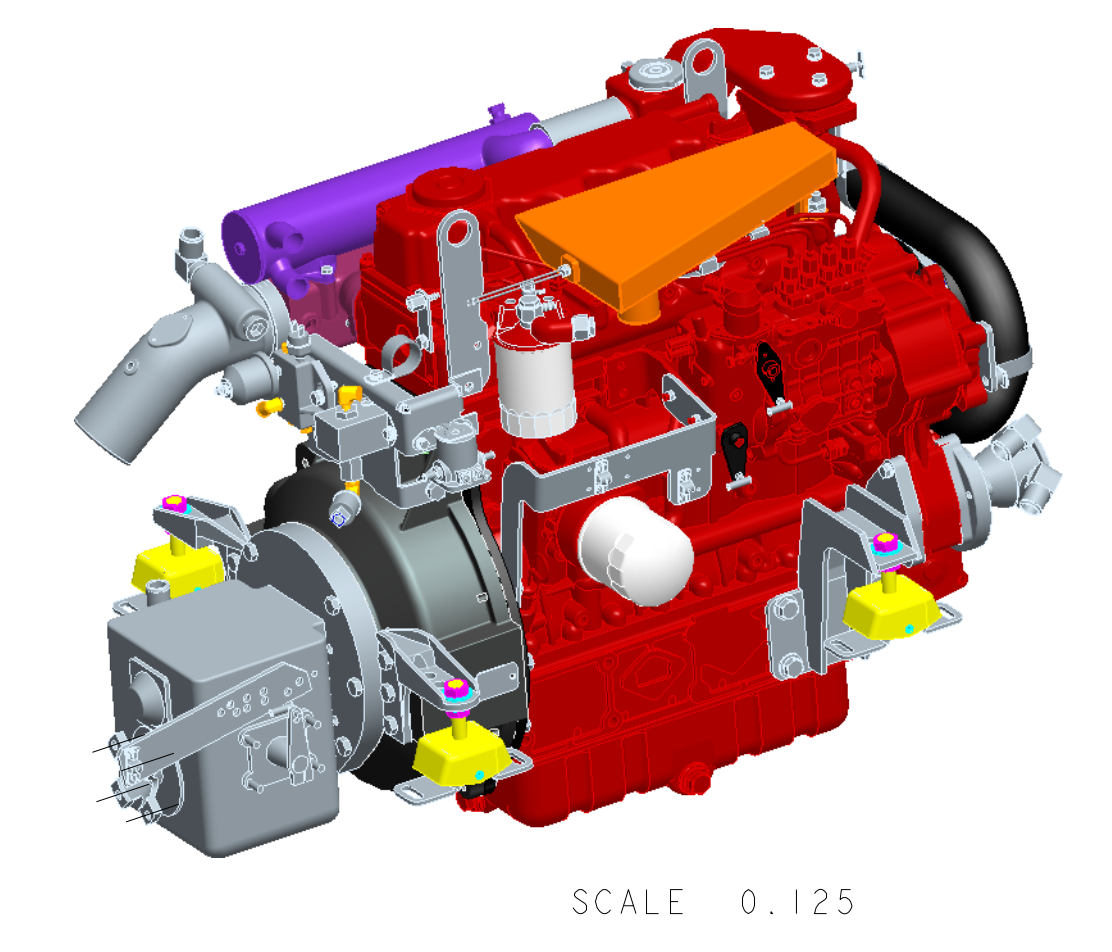
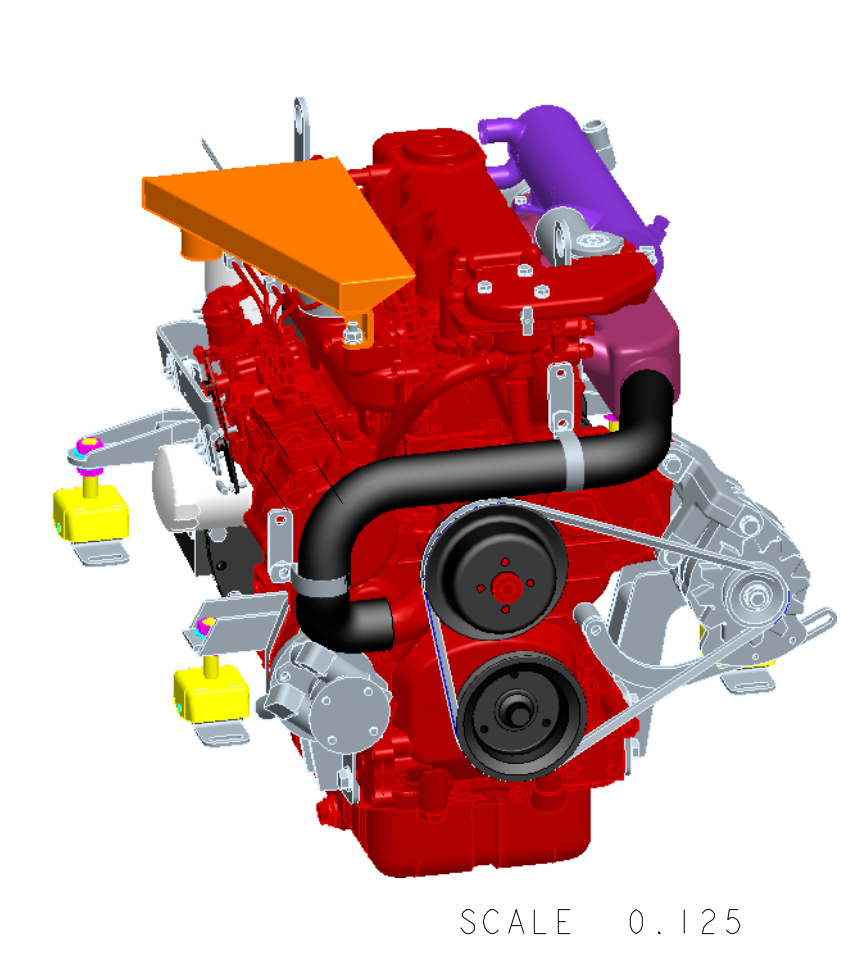
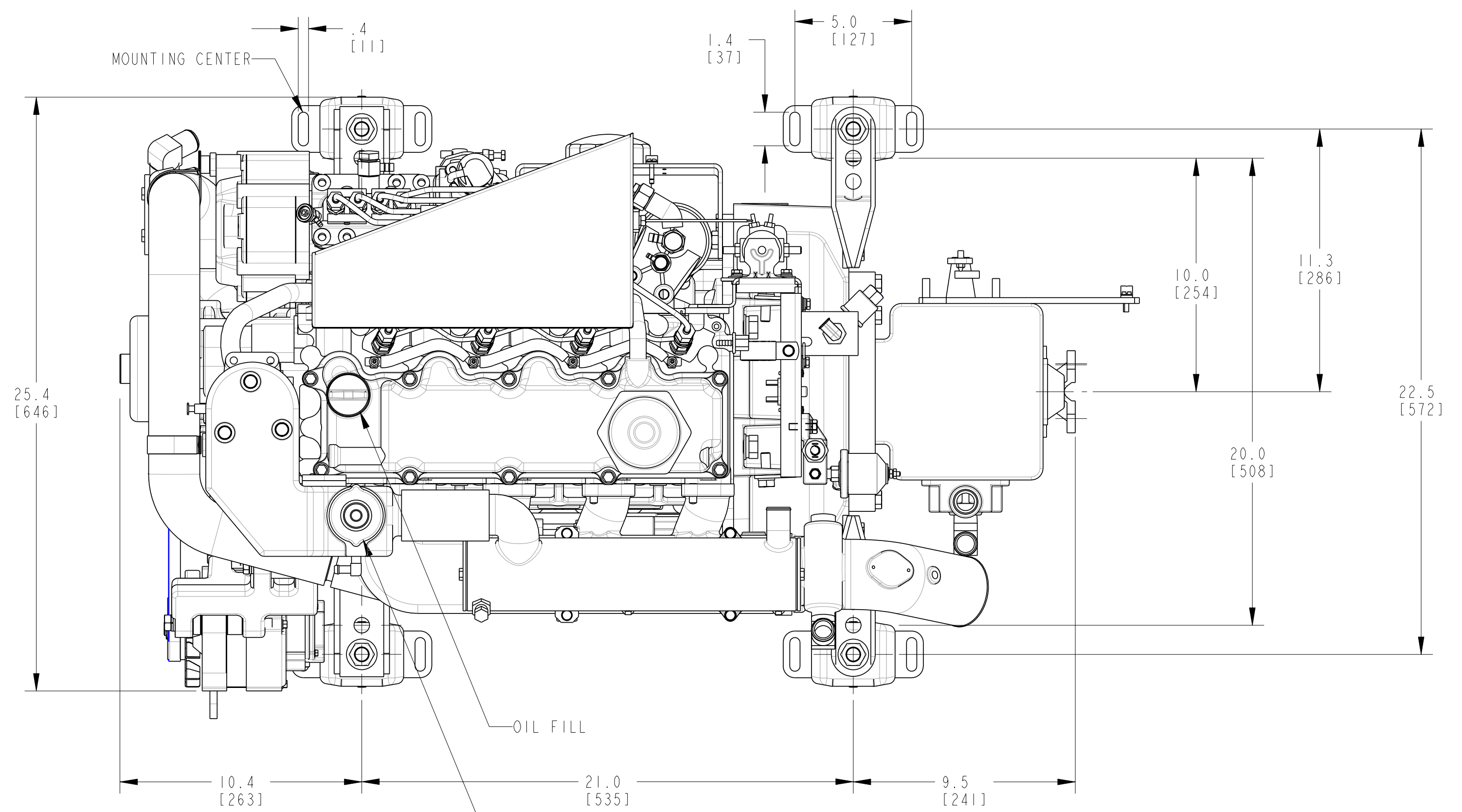


ECO NO.	DATE	REV.	REVISION RECORD	AUTH.	DR. BY
6550	8-12-2008	A	INITIAL RELEASE		MG
6804	7-27-2011	B	ADD MODEL 65B		GA



Ø .41 [10.5] THRU (4) HOLES EQUALLY SPACED ON A 3.25 [82.5] Ø B.C.

TOLERANCES (UNLESS OTHERWISE NOTED)		WESTERBEKE CORPORATION TAUNTON, MA. 02780	
INCHES	MILLIMETERS	TITLE	
.XX : .02	X : ± 1.0	INSTALLATION DRAWING	
.XXX : .05	X : ± .5	65A/65B FOUR ZF25M 72AMP ALT.	
CAST : .03	.XX : ± .13	DRAWN BY	DATE
ANGLES : 5°		GA	01/May/08
FINISH : 5		APPROVED BY	MATERIAL:
DIMENSIONS		SCALE	SIZE
INCHES		0.250	D
MILLIMETERS			
(WHEN APPLICABLE)		SHT. 1 of 2	DRAWING NUMBER
			53998
			REV.
			B