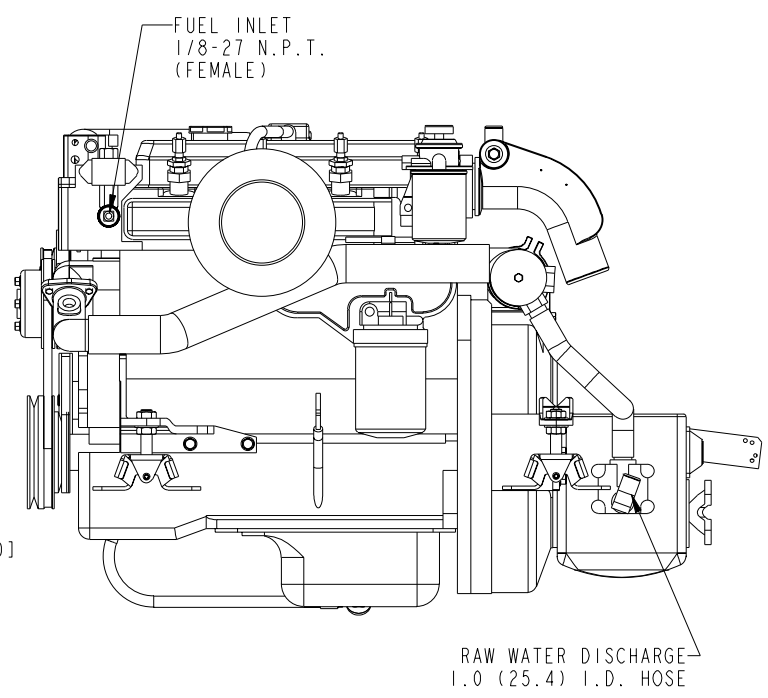
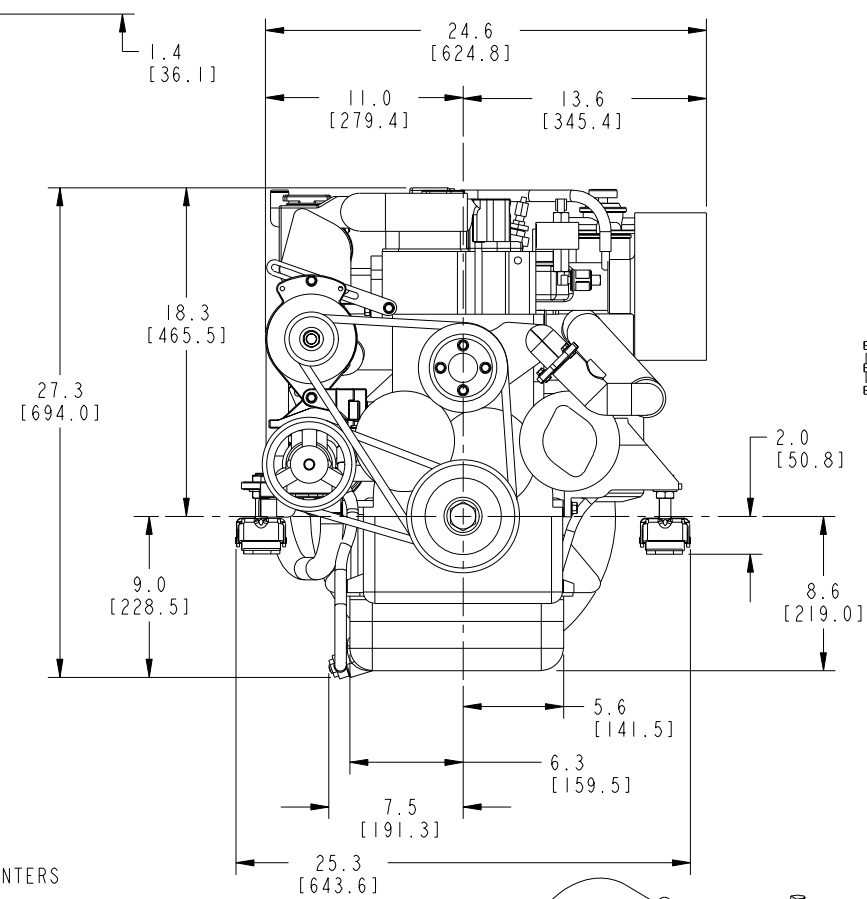
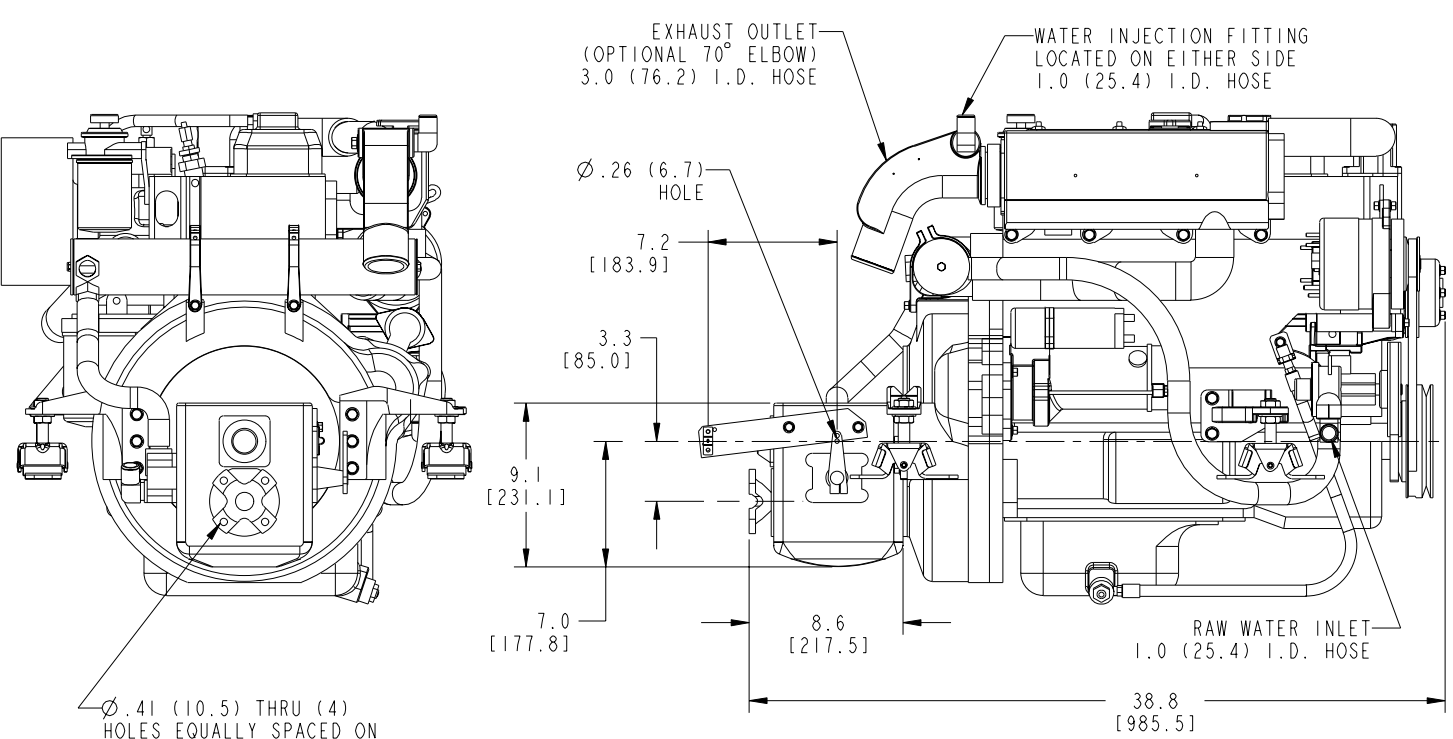
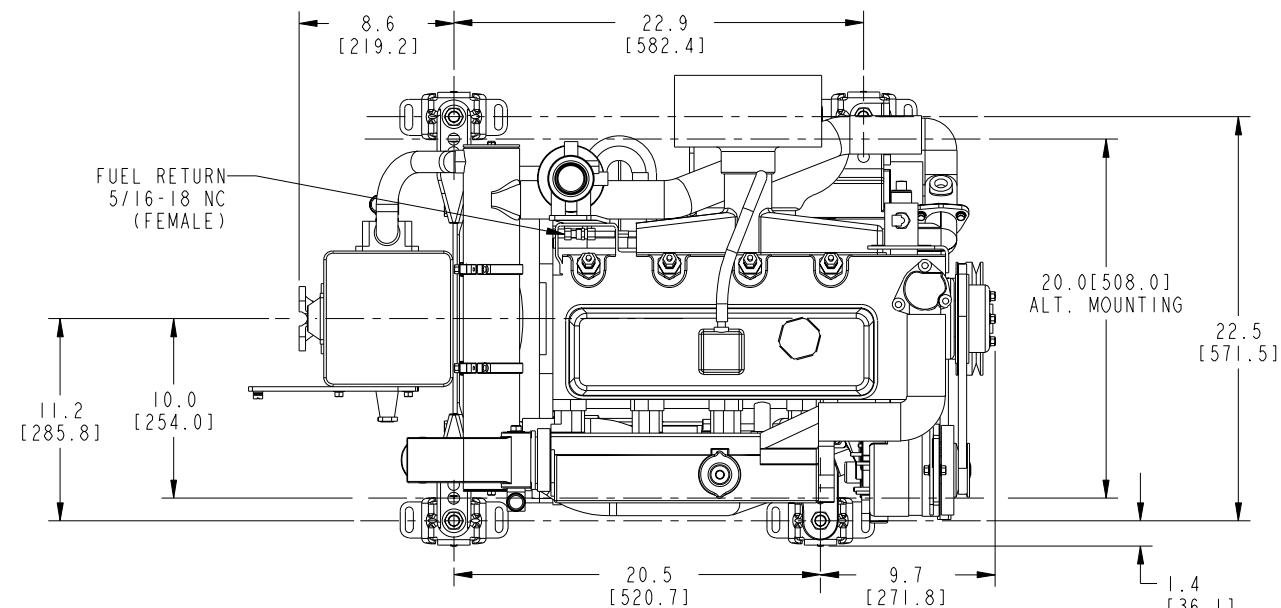
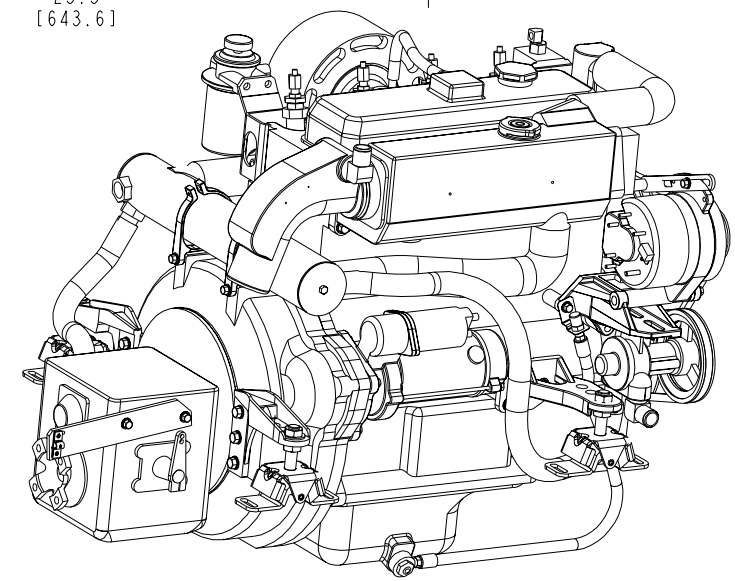
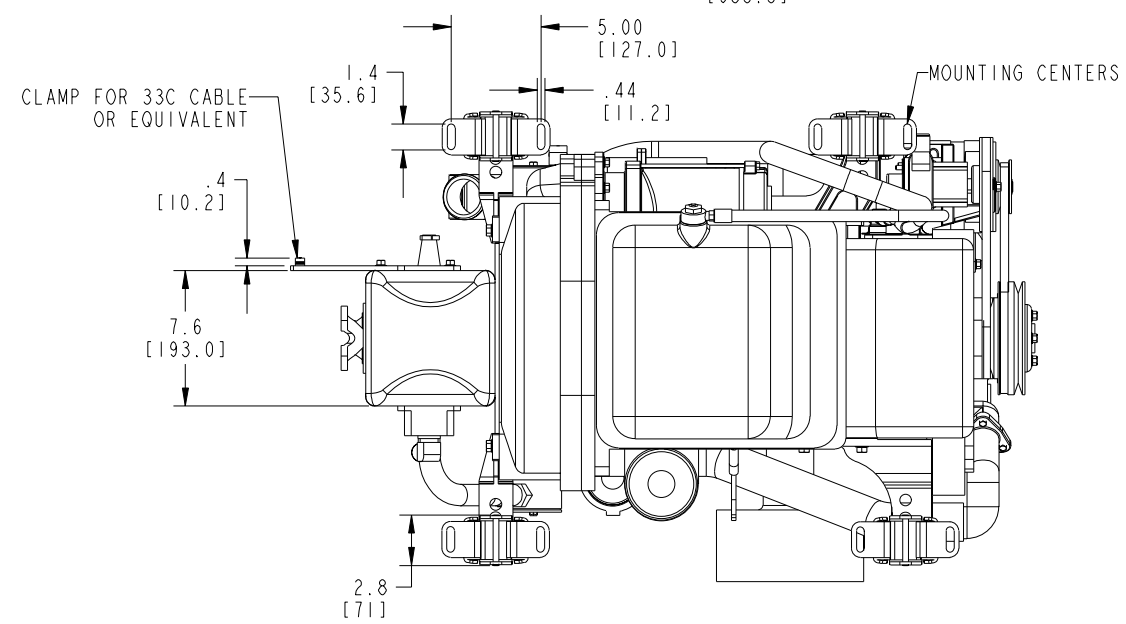


ECO NO.	DATE	REV.	REVISION RECORD	AUTH.	DR. BY
3729	5-19 1998	A	REVISED AND REDRAWN ON "D SIZE"		JM
3899	11-17 1998	B	3" DIA EXHAUST ELBOW WAS 2" DIA		JM
3987	2-10 1999	C	ALT MOUNTING 18.5 WAS 18		JM
4087	5-10 1999	D	CHANGED SCALE FROM .187 TO .100 CHANGED FORMAT FROM D TO C SIZE		JM
5377	10-1 02	E	CHANGED SCALE BACK TO .187 WAS .100 CHANGED FORMAT BACK TO D SIZE WAS C SIZE UPDATE ASM TO REFLECT CURRENT BOM		BM
5426	12-12 02	F	ADDED PART #48076 TO ASSEMBLY		BM
5617	10-9 03	G	CHANGED INTAKE SILENCER FROM 37785 TO 48804		GA
5729	4-30 2004	H	REMOVE ALT. MOUNTING DIM 18.5		GA



Ø.41 (10.5) THRU (4)  
HOLES EQUALLY SPACED ON  
A 3.25 (82.5) Ø B.C.



TOLERANCES (UNLESS OTHERWISE NOTED)		WESTERBEKE CORPORATION TAUNTON, MA. 02780	
INCHES	MILLIMETERS	TITLE	
.XX	.02	INSTALLATION DRAWING	
.XXX	.005	82B FOUR WITH HBW250 TRANSMISSION	
CAST	.03	DRAWN BY	DATE
ANGLES	.5°	WRM	8-24-90
FINISH	☺	APPROVED BY	DATE
DIMENSIONS		MATERIAL:	
INCHES		SCALE 0.187	
MILLIMETERS		SIZE	DRAWING NUMBER
(WHEN APPLICABLE)		SHT. 1 OF 1	D 38050
		REV.	H