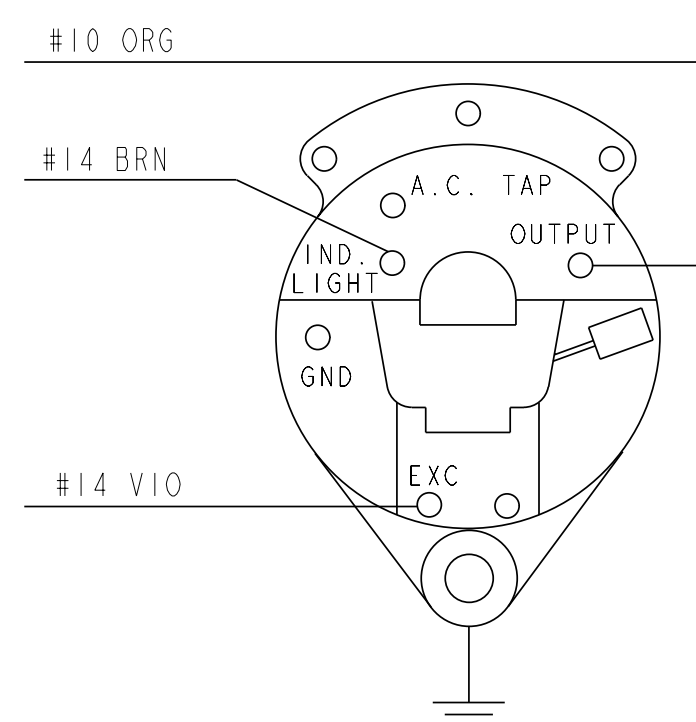
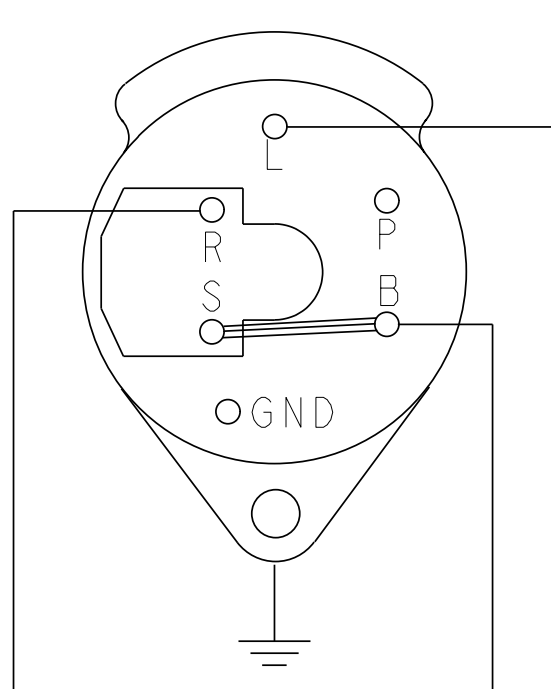


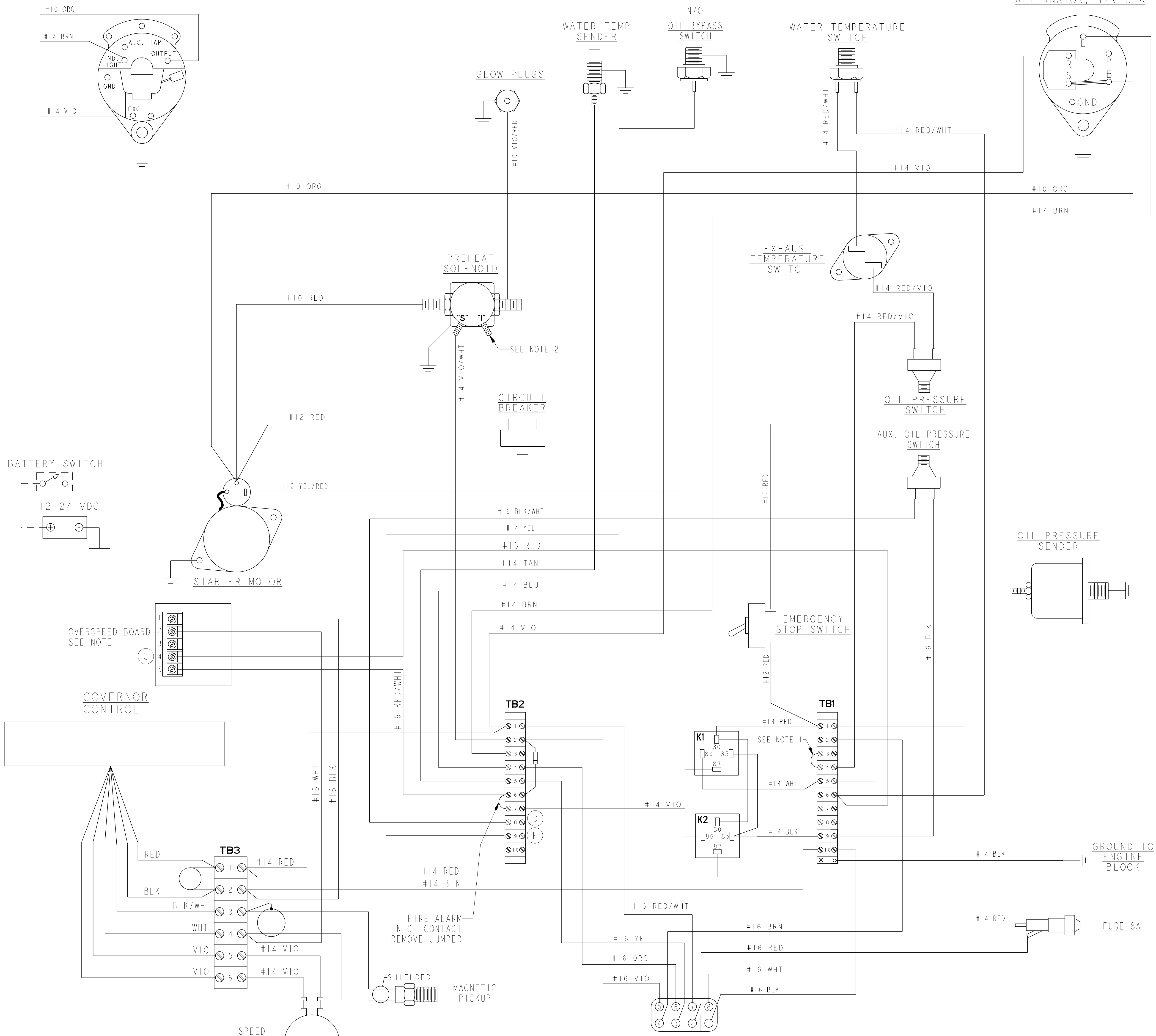
ALTERNATOR, 24VDC 42A



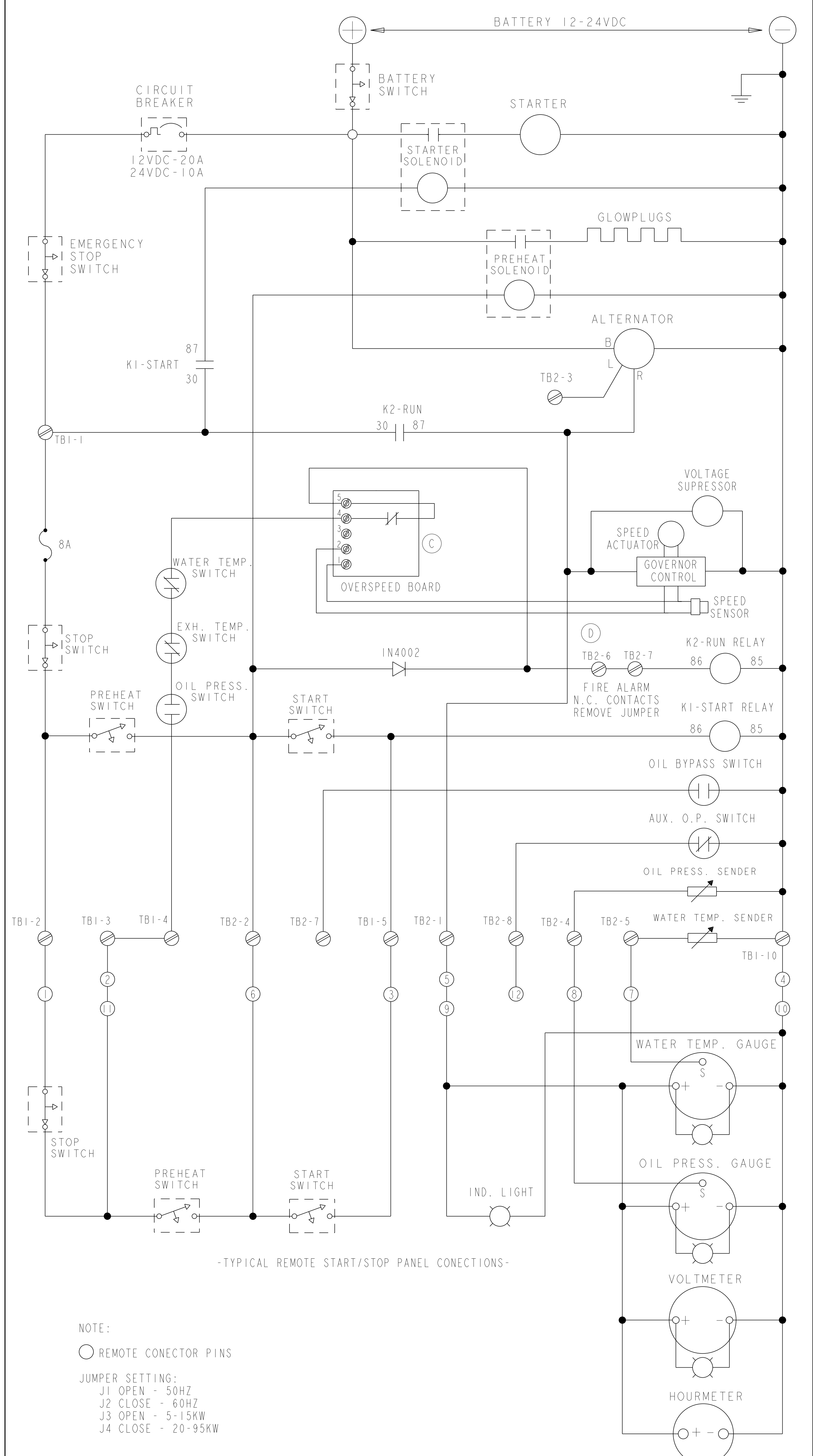
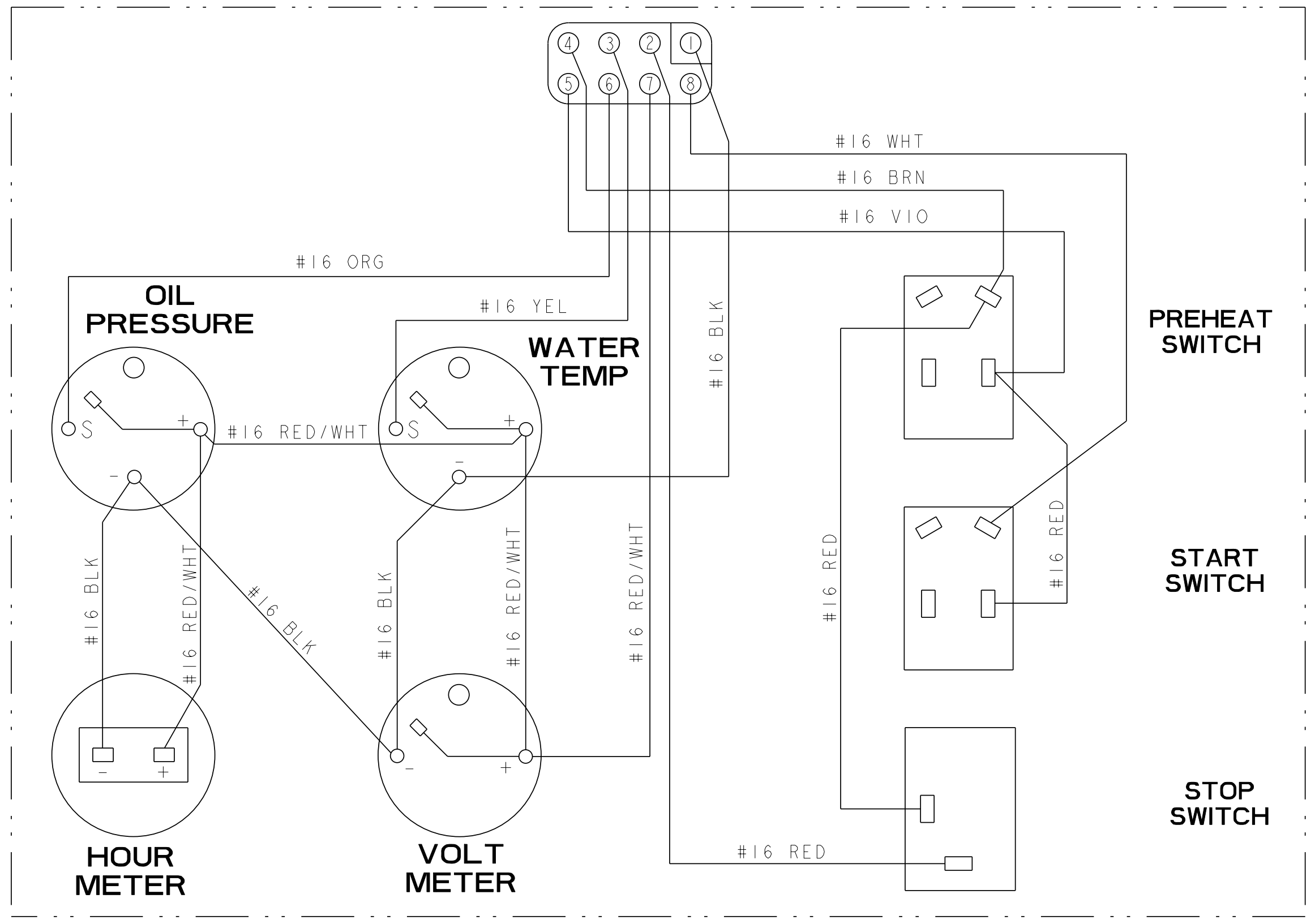
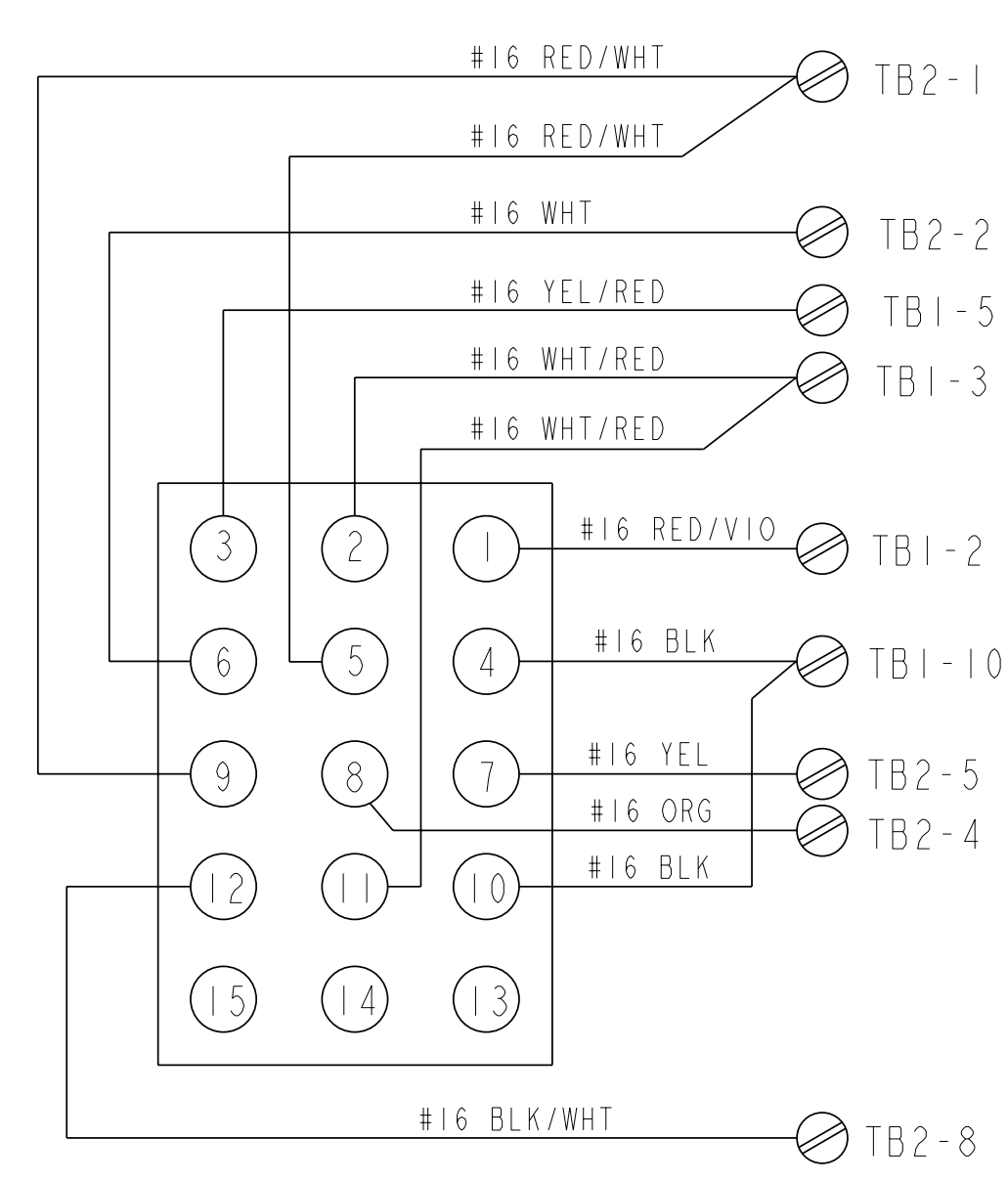
ALTERNATOR, 12V 51A



ECO NO.	DATE	REV.	REVISION RECORD	AUTH.	DR. BY
4670	8/4 2000	A	ADD VOLTAGE SUPPRESSOR BETWEEN TB3-1, TB3-2		JCA
4823	2/23 2001	B	NORMAL CONDITION OF SWITCHES CORRECTED IN WIRING SCHEMATIC.		JCA
5767	6/22 2004	C	ADD OVERSPEED BOARD		GA
5861	11-3 2004	D	ADDED JUMPER BETWEEN TB2-6&7; K2-86 WAS CONNECTED TO TB2-6.		GA
6179	3/20 2006	E	RELOCATED #14 YEL TB2-7 TO TB2-9		RPS
6595	1-26 2009	F	UPDATE TITLE BOX WITH 45-95 BEDA MODEL.		GA



NOTE:
 1. REMOVE JUMPER WHEN CONNECTING A SECOND REMOTE PANEL.
 2. GROUND "1" TERMINAL OF PREHEAT SOLENOID ON 24V SYSTEM ONLY.



NOTE:
 ○ REMOTE CONNECTOR PINS
 JUMPER SETTING:
 J1 OPEN - 50HZ
 J2 CLOSE - 60HZ
 J3 OPEN - 5-15KW
 J4 CLOSE - 20-95KW

TOLERANCES (UNLESS OTHERWISE NOTED)		WESTERBEKE CORPORATION AVON, MA. 02322	
INCHES	MILLIMETERS	TITLE	
.XX	.02	WIRING DIAGRAM/SCHEMATIC	
.XXX	.005	45-0-95.0 BED/A GENERATOR	
CAST	.01	DRAWN BY	DATE
ANGLE	.02	ANDREW KOSS	19/APR/00
FINISH	.02	APPROVED BY	DATE
DIMENSIONS	SCALE	SIZE	DRAWING NUMBER
(WHEN APPLICABLE)	(SHEET 1 OF 1)	E	44780