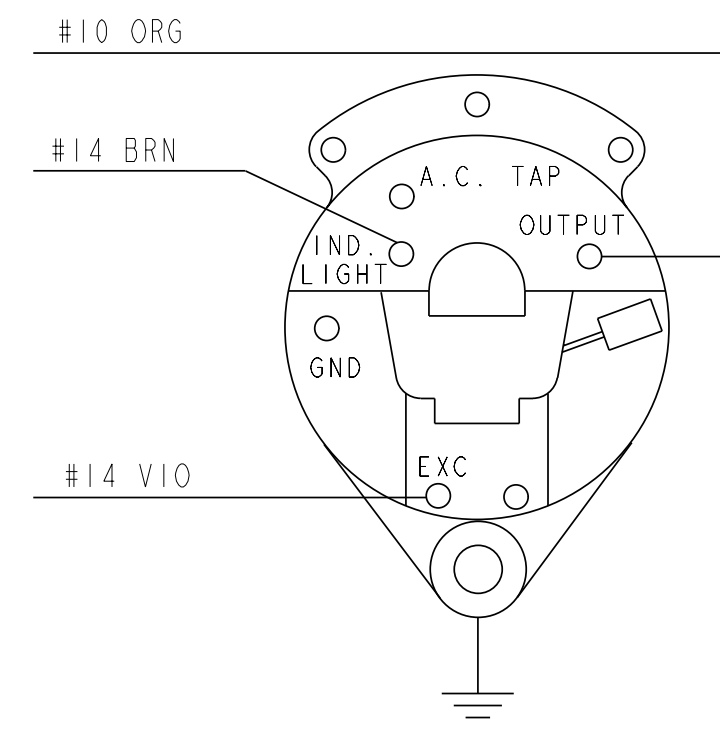
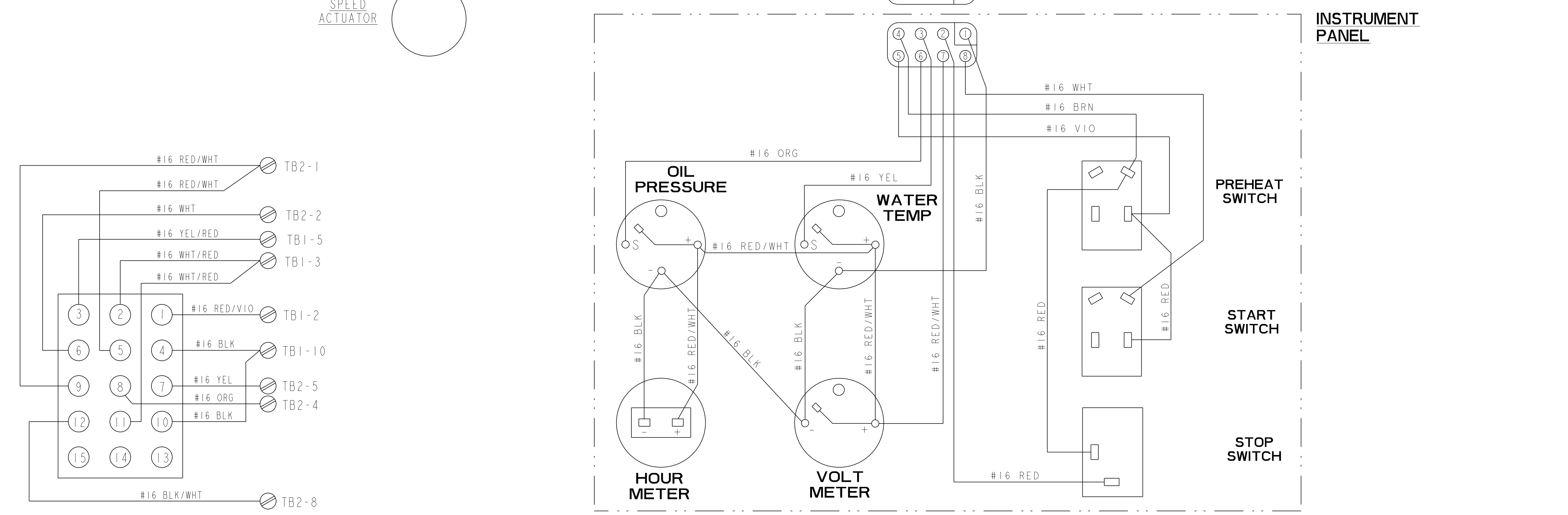
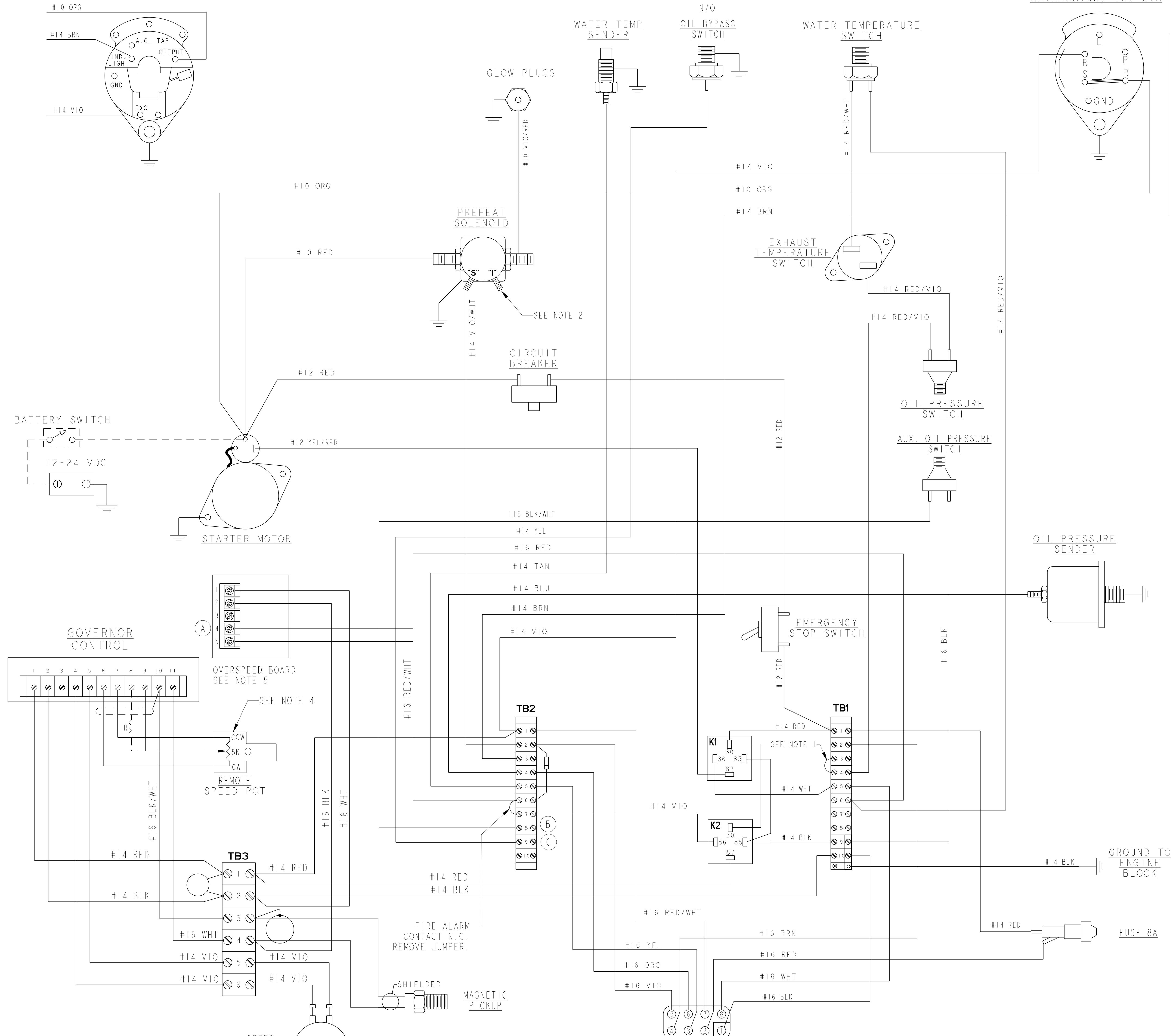
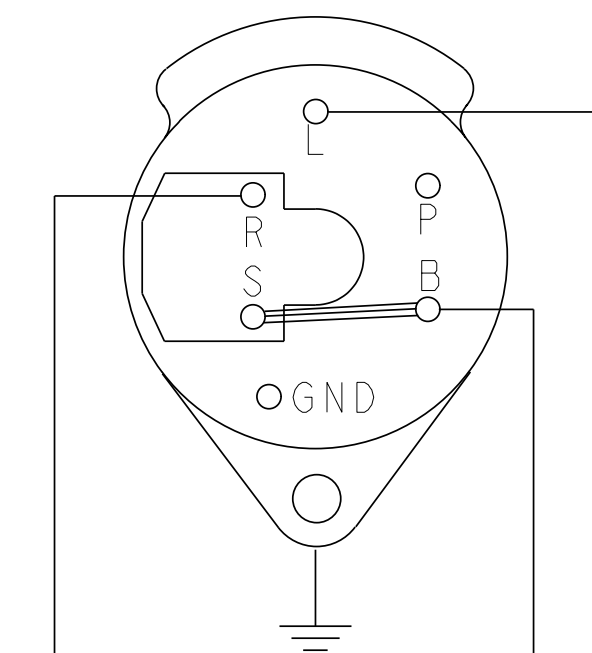


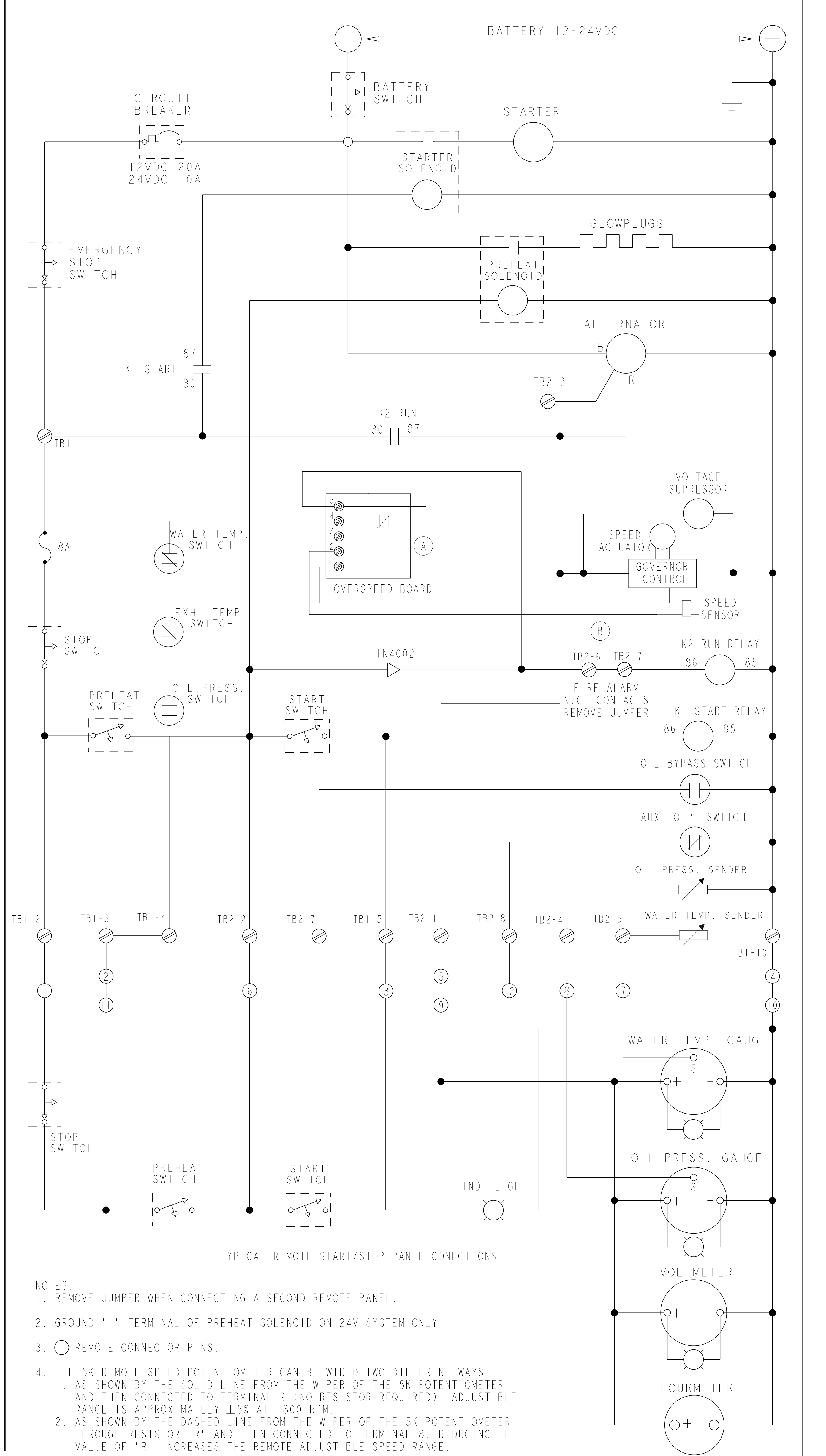
ALTERNATOR, 24VDC 42A



ALTERNATOR, 12V 51A



ECO NO.	DATE	REV.	REVISION RECORD	AUTH.	DR. BY
5683	2-24-2004	A	ADD OVERSPEED BOARD		GA
5861	11-2-2004	B	ADDED JUMPER BETWEEN TB2-6&7; K2-86 WAS CONNECTED TO TB2-6.		GA
6179	3/20/2006	C	RELOCATED #14 YEL TB2-7 TO TB2-9 #14 VIO TB2-6 TO TB2-7		RPS
6595	1-26-2009	D	UPDATE TITLE BOX WITH 45-95 BEDA MODEL.		GA



- NOTES:
- REMOVE JUMPER WHEN CONNECTING A SECOND REMOTE PANEL.
 - GROUND "I" TERMINAL OF PREHEAT SOLENOID ON 24V SYSTEM ONLY.
 - REMOTE CONNECTOR PINS.
 - THE 5K REMOTE SPEED POTENTIOMETER CAN BE WIRED TWO DIFFERENT WAYS:
 - AS SHOWN BY THE SOLID LINE FROM THE WIPER OF THE 5K POTENTIOMETER AND THEN CONNECTED TO TERMINAL 9 (NO RESISTOR REQUIRED). ADJUSTIBLE RANGE IS APPROXIMATELY ±5% AT 1800 RPM.
 - AS SHOWN BY THE DASHED LINE FROM THE WIPER OF THE 5K POTENTIOMETER THROUGH RESISTOR "R" AND THEN CONNECTED TO TERMINAL 8. REDUCING THE VALUE OF "R" INCREASES THE REMOTE ADJUSTIBLE SPEED RANGE.
 - JUMPER SETTING:
 - J1 OPEN - 50HZ
 - J2 CLOSE - 60HZ
 - J3 OPEN - 5-15KW
 - J4 CLOSE - 20-95KW

TOLERANCES (UNLESS OTHERWISE NOTED)		WESTERBEKE CORPORATION TAUNTON, MA. 02780	
INCHES	MILLIMETERS	TITLE	
.XX ± .02	.X ± 1.0	WIRING DIAGRAM/SCHEMATIC	
.XXX ± .005	.XX ± .13	45.0-95.0 BED/A - PARALLEL	
ANGLES	° ± .5	DATE	MATERIAL
FINISH		26/Mar/03	
DIMENSIONS		APPROVED BY	DATE
SCALE NONE	SIZE		
(WHEN APPLICABLE)	DWG. NUMBER	REV.	
	Sht. 1 of 1	E 48350	