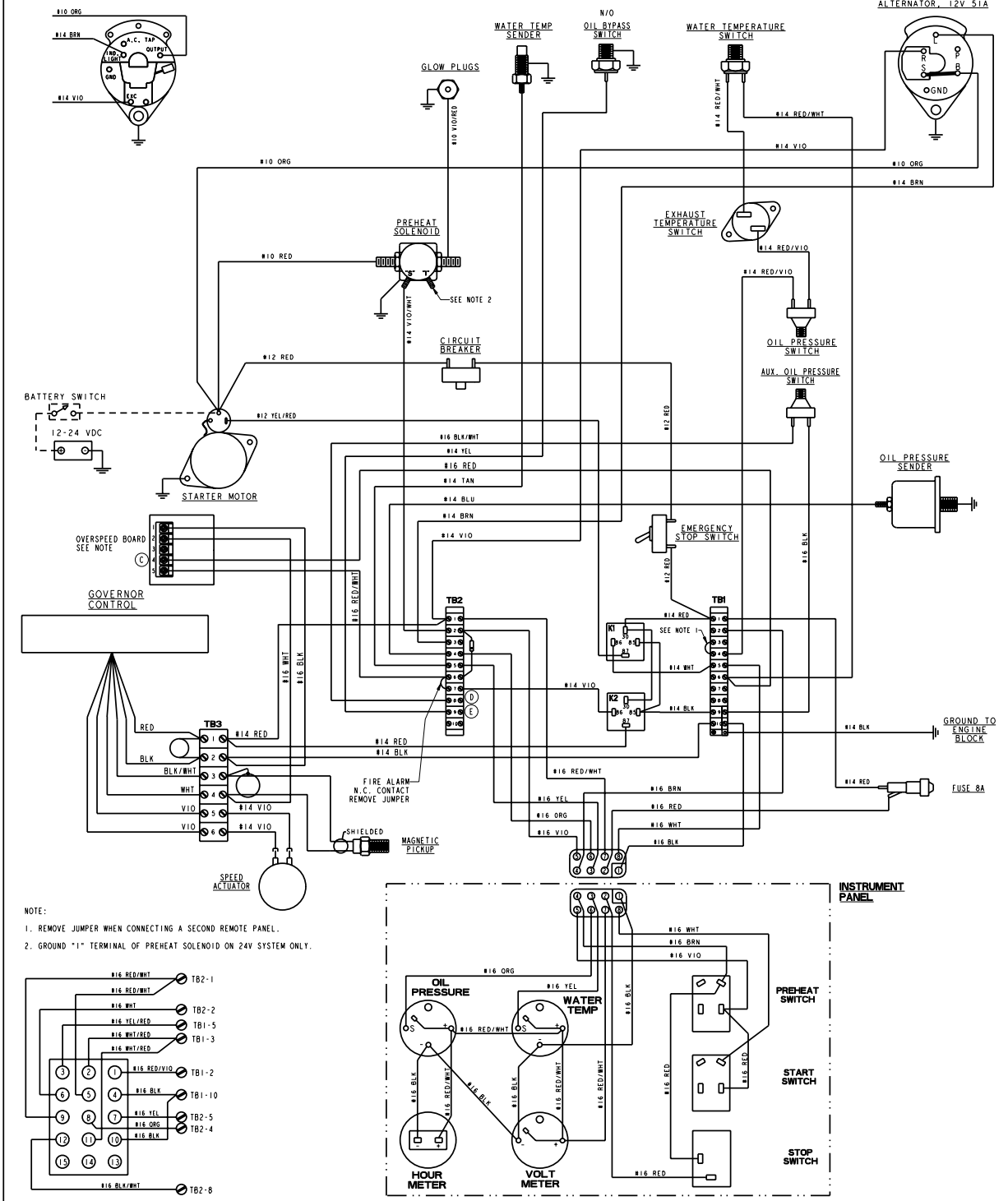


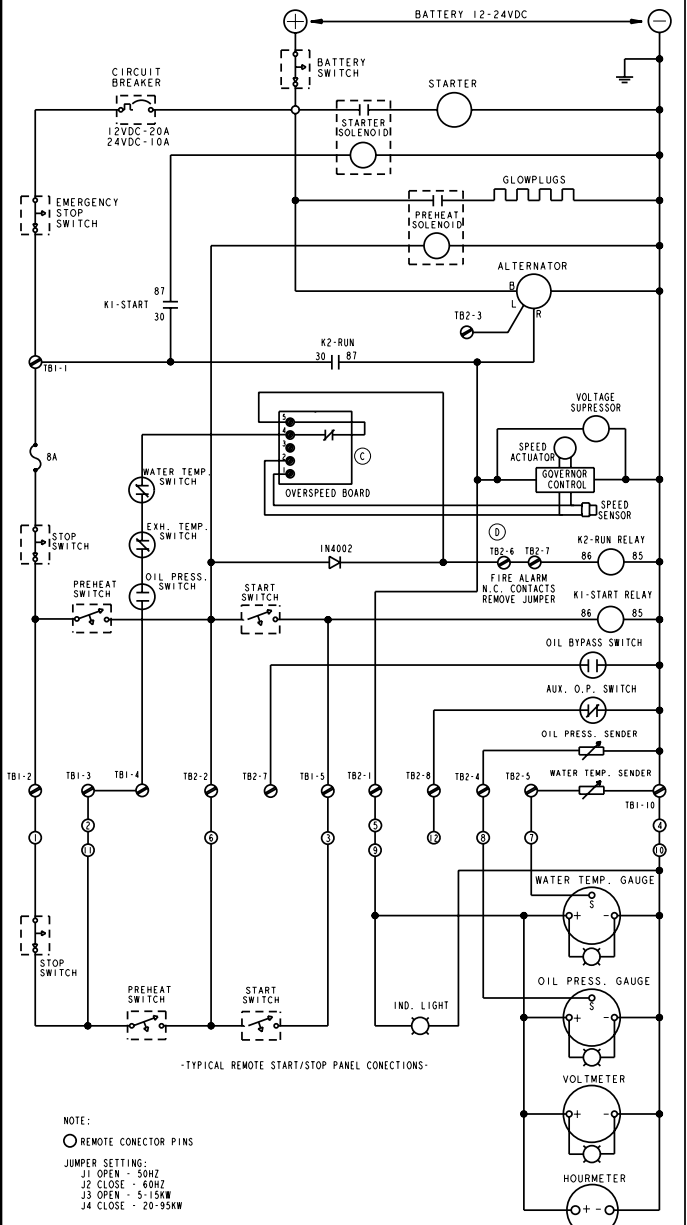
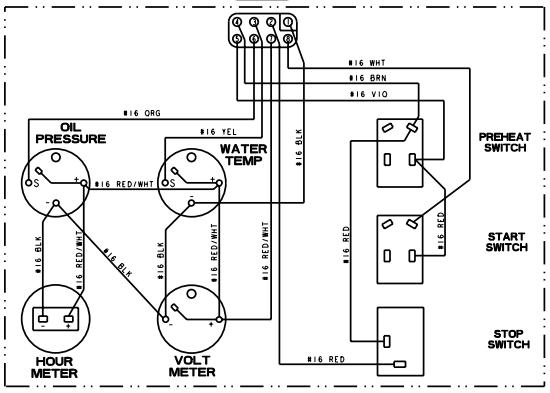
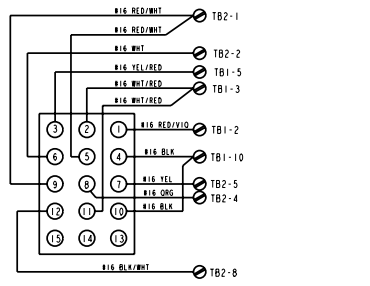
ALTERNATOR, 24VDC 42A

ALTERNATOR, 12V 51A

ECO NO.	DATE	REV.	REVISION RECORD	AUTH.	DR. BY
4670	8/24/2000	A	ADD VOLTAGE SUPPRESSOR BETWEEN TB3-1, TB3-2	JCA	JCA
4823	2/23/2001	B	NORMAL CONDITION OF SWITCHES CONNECTED IN WIRING SCHEMATIC	JCA	JCA
5767	6/22/2004	C	ADD OVERSPEED BOARD	GA	GA
5861	11/3/2004	D	ADDED JUMPER BETWEEN TB2-4&1; K2-8& WAS CONNECTED TO TB2-6.	GA	GA
6179	3/20/2006	E	RELOCATED #14 YEL. TB2-7 TO TB2-9	RPS	RPS



- NOTE:
1. REMOVE JUMPER WHEN CONNECTING A SECOND REMOTE PANEL.
 2. GROUND "1" TERMINAL OF PREHEAT SOLENOID ON 24V SYSTEM ONLY.



- NOTE:
- REMOTE CONNECTOR PINS
- JUMPER SETTING:
- J1 OPEN - 50HZ
 - J2 CLOSE - 60HZ
 - J3 OPEN - 5-15KW
 - J4 CLOSE - 20-95KW

TOLERANCES UNLESS OTHERWISE SPECIFIED		WESTERBEKE CORPORATION AVON, MA 02322	
INCHES	FRACTIONS	MM	DECIMALS
1/16	1/32	0.1	0.01
1/32	1/64	0.2	0.02
3/32	1/32	0.3	0.03
1/8	1/16	0.4	0.04
3/16	1/8	0.5	0.05
1/4	3/16	0.6	0.06
5/16	1/4	0.7	0.07
3/8	5/16	0.8	0.08
7/16	3/8	0.9	0.09
1/2	7/16	1.0	0.10
5/8	1/2	1.2	0.12
3/4	5/8	1.5	0.15
7/8	3/4	2.0	0.20
1	7/8	2.5	0.25
1 1/8	1	3.0	0.30
1 1/4	1 1/8	3.5	0.35
1 3/8	1 1/4	4.0	0.40
1 1/2	1 3/8	4.5	0.45
1 5/8	1 1/2	5.0	0.50
1 3/4	1 5/8	6.0	0.60
1 7/8	1 3/4	7.0	0.70
2	1 7/8	8.0	0.80
2 1/8	2	9.0	0.90
2 1/4	2 1/8	10.0	1.00
2 3/8	2 1/4	11.0	1.10
2 1/2	2 3/8	12.0	1.20
2 5/8	2 1/2	13.0	1.30
2 3/4	2 5/8	14.0	1.40
2 7/8	2 3/4	15.0	1.50
3	2 7/8	16.0	1.60
3 1/8	3	17.0	1.70
3 1/4	3 1/8	18.0	1.80
3 3/8	3 1/4	19.0	1.90
3 1/2	3 3/8	20.0	2.00
3 5/8	3 1/2	21.0	2.10
3 3/4	3 5/8	22.0	2.20
3 7/8	3 3/4	23.0	2.30
4	3 7/8	24.0	2.40
4 1/8	4	25.0	2.50
4 1/4	4 1/8	26.0	2.60
4 3/8	4 1/4	27.0	2.70
4 1/2	4 3/8	28.0	2.80
4 5/8	4 1/2	29.0	2.90
4 3/4	4 5/8	30.0	3.00
4 7/8	4 3/4	31.0	3.10
5	4 7/8	32.0	3.20
5 1/8	5	33.0	3.30
5 1/4	5 1/8	34.0	3.40
5 3/8	5 1/4	35.0	3.50
5 1/2	5 3/8	36.0	3.60
5 5/8	5 1/2	37.0	3.70
5 3/4	5 5/8	38.0	3.80
5 7/8	5 3/4	39.0	3.90
6	5 7/8	40.0	4.00
6 1/8	6	41.0	4.10
6 1/4	6 1/8	42.0	4.20
6 3/8	6 1/4	43.0	4.30
6 1/2	6 3/8	44.0	4.40
6 5/8	6 1/2	45.0	4.50
6 3/4	6 5/8	46.0	4.60
6 7/8	6 3/4	47.0	4.70
7	6 7/8	48.0	4.80
7 1/8	7	49.0	4.90
7 1/4	7 1/8	50.0	5.00
7 3/8	7 1/4	51.0	5.10
7 1/2	7 3/8	52.0	5.20
7 5/8	7 1/2	53.0	5.30
7 3/4	7 5/8	54.0	5.40
7 7/8	7 3/4	55.0	5.50
8	7 7/8	56.0	5.60
8 1/8	8	57.0	5.70
8 1/4	8 1/8	58.0	5.80
8 3/8	8 1/4	59.0	5.90
8 1/2	8 3/8	60.0	6.00
8 5/8	8 1/2	61.0	6.10
8 3/4	8 5/8	62.0	6.20
8 7/8	8 3/4	63.0	6.30
9	8 7/8	64.0	6.40
9 1/8	9	65.0	6.50
9 1/4	9 1/8	66.0	6.60
9 3/8	9 1/4	67.0	6.70
9 1/2	9 3/8	68.0	6.80
9 5/8	9 1/2	69.0	6.90
9 3/4	9 5/8	70.0	7.00
9 7/8	9 3/4	71.0	7.10
10	9 7/8	72.0	7.20
10 1/8	10	73.0	7.30
10 1/4	10 1/8	74.0	7.40
10 3/8	10 1/4	75.0	7.50
10 1/2	10 3/8	76.0	7.60
10 5/8	10 1/2	77.0	7.70
10 3/4	10 5/8	78.0	7.80
10 7/8	10 3/4	79.0	7.90
11	10 7/8	80.0	8.00
11 1/8	11	81.0	8.10
11 1/4	11 1/8	82.0	8.20
11 3/8	11 1/4	83.0	8.30
11 1/2	11 3/8	84.0	8.40
11 5/8	11 1/2	85.0	8.50
11 3/4	11 5/8	86.0	8.60
11 7/8	11 3/4	87.0	8.70
12	11 7/8	88.0	8.80
12 1/8	12	89.0	8.90
12 1/4	12 1/8	90.0	9.00
12 3/8	12 1/4	91.0	9.10
12 1/2	12 3/8	92.0	9.20
12 5/8	12 1/2	93.0	9.30
12 3/4	12 5/8	94.0	9.40
12 7/8	12 3/4	95.0	9.50
13	12 7/8	96.0	9.60
13 1/8	13	97.0	9.70
13 1/4	13 1/8	98.0	9.80
13 3/8	13 1/4	99.0	9.90
13 1/2	13 3/8	100.0	10.00