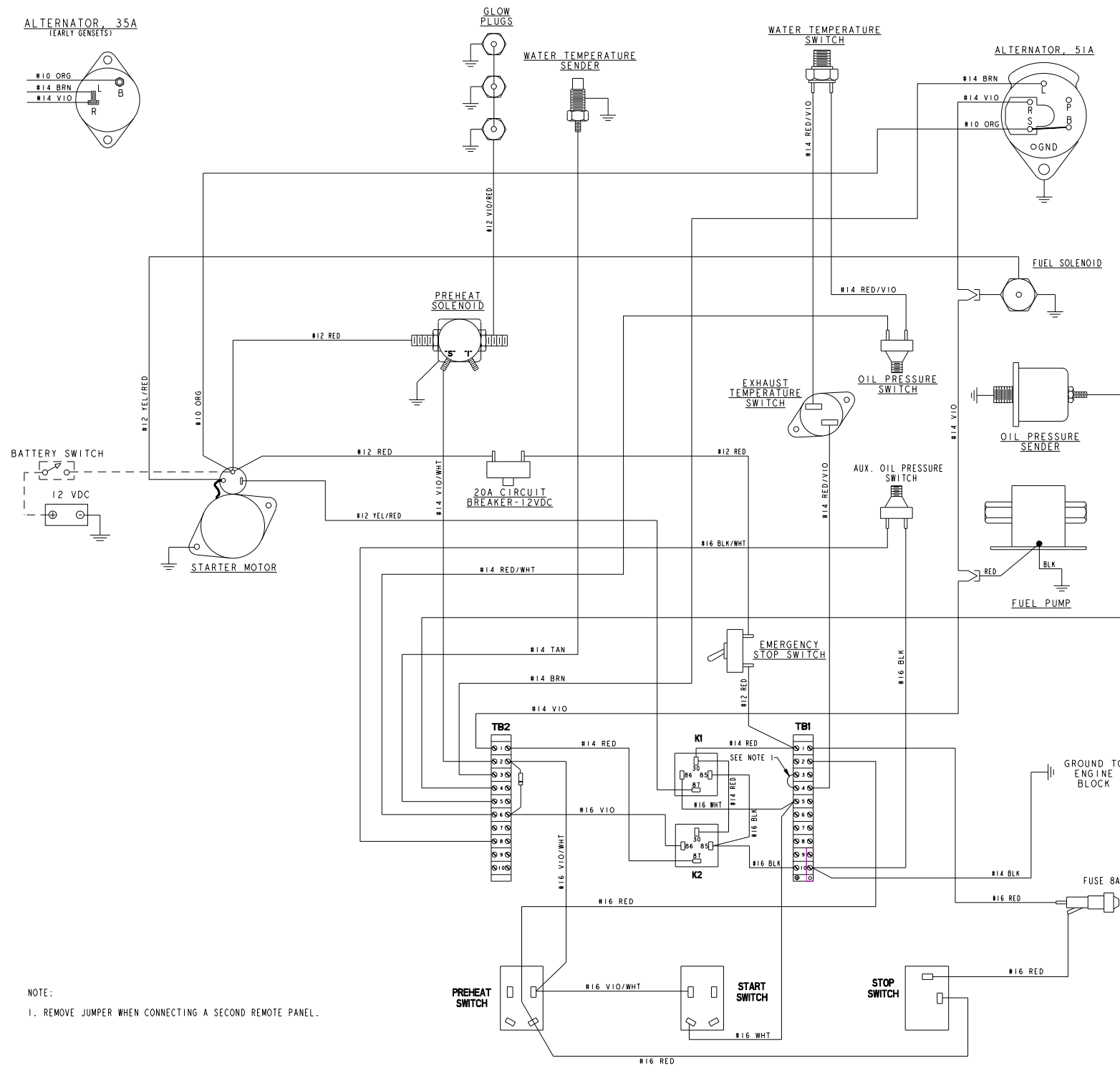
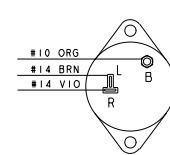
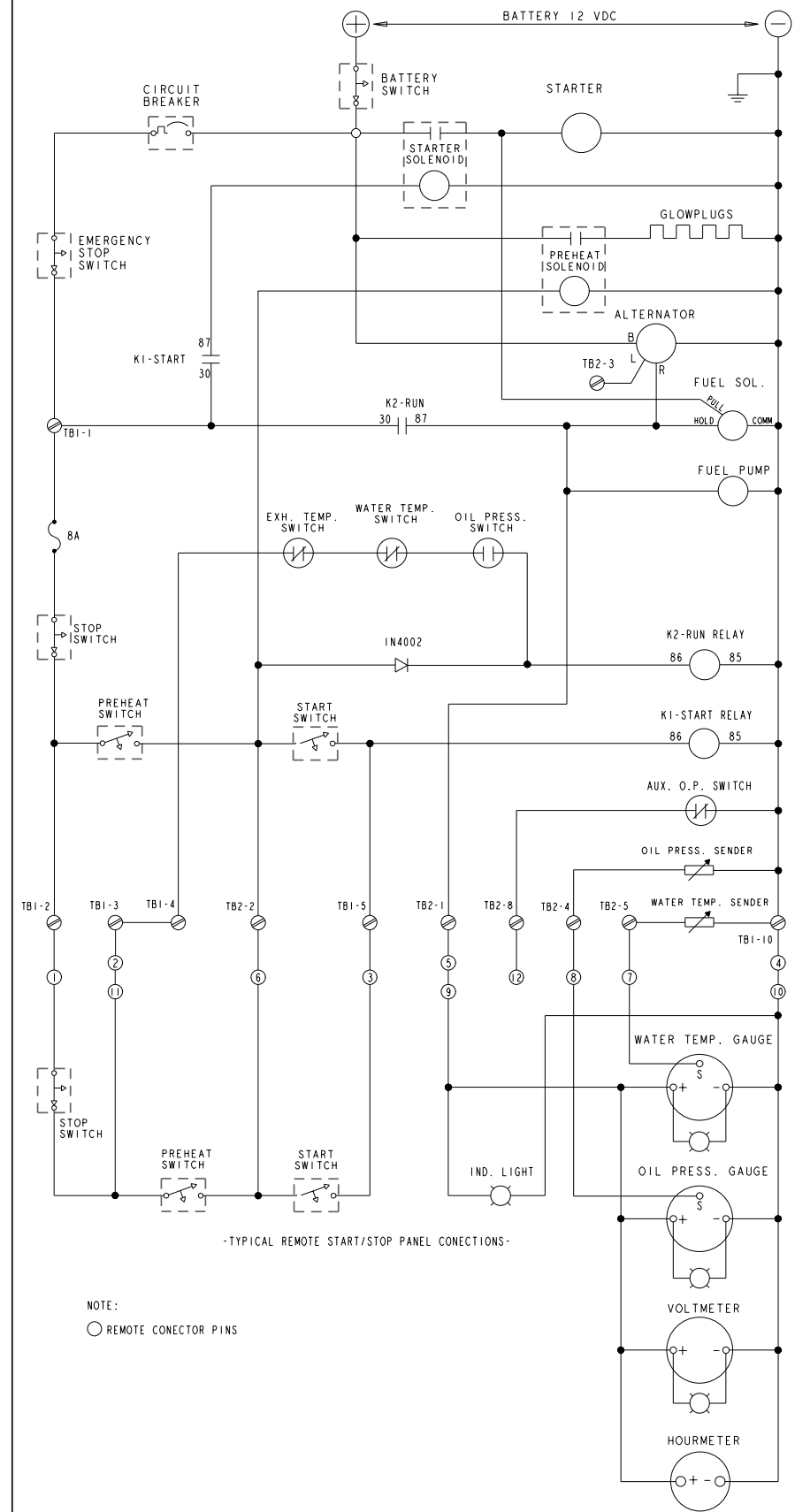
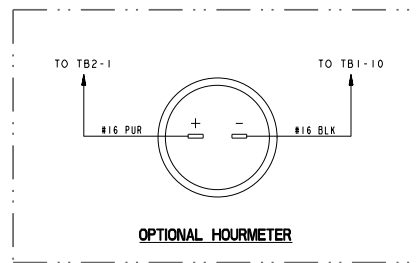
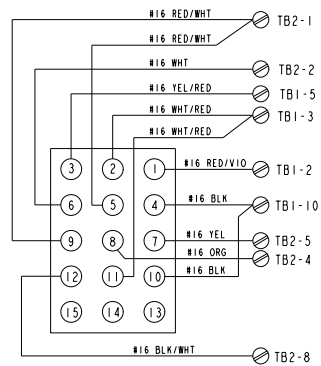


ALTERNATOR 35A  
(EARLY GENSETS)



NOTE:  
1. REMOVE JUMPER WHEN CONNECTING A SECOND REMOTE PANEL.



NOTE:  
○ REMOTE CONNECTOR PINS

TOLERANCES (UNLESS OTHERWISE NOTED)		WESTERBEKE CORPORATION AVON, MA. 02322	
INCHES	MILLIMETERS	TITLE	
FRACTIONS	DECIMALS	WIRING DIAGRAM/SCHEMATIC	
ANGLES	ANGLES	T-6 BTD MINI - SRC	
DRAWN BY	DATE	APPROVED BY	DATE
SCALE	SHEET	DRAWING NUMBER	REV.
INCHES	NONE	E 44734	-
MILLIMETERS			

ECO NO.	DATE	REV.	REVISION RECORD	AUTH.	DR. BY	ECO NO.	DATE	REV.	REVISION RECORD	AUTH.	DR. BY
---------	------	------	-----------------	-------	--------	---------	------	------	-----------------	-------	--------