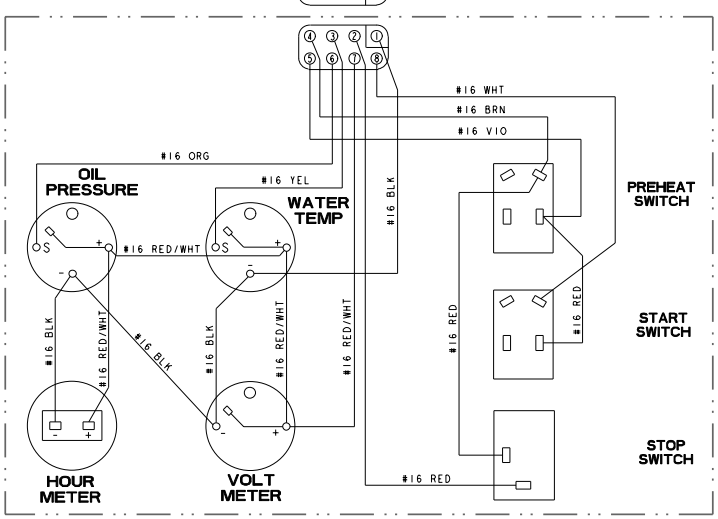
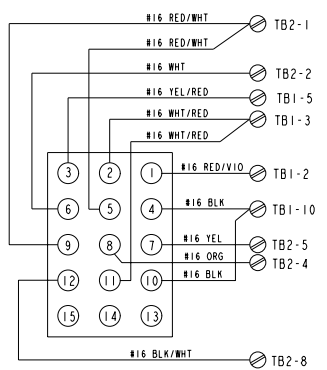
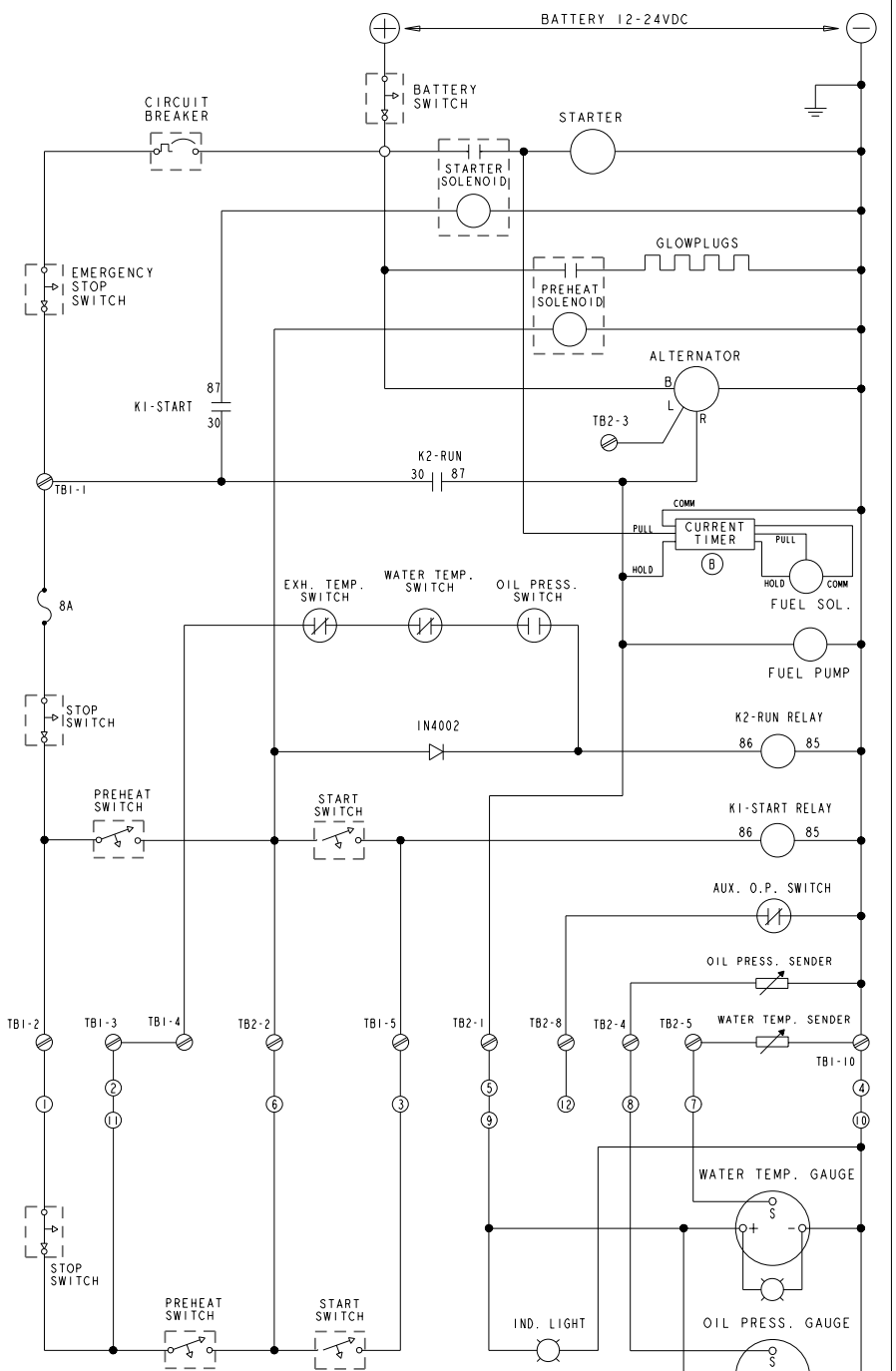


NOTE:
 1. REMOVE JUMPER WHEN CONNECTING A SECOND REMOTE PANEL.
 2. GROUND "1" TERMINAL OF PREHEAT SOLENOID ON 24V SYSTEM ONLY.



INSTRUMENT PANEL



-TYPICAL REMOTE START/STOP PANEL CONNECTIONS-

NOTE:
 ○ REMOTE CONECTOR PINS

ECO NO.	DATE	REV.	REVISION RECORD	AUTH.	DR. BY
5082	10/24	B	ADDED CURRENT TIMER		TSM
4632	12/2	A	UPDATED ALTERNATOR WIRING SCHEMATIC		TSM

ECO NO.	DATE	REV.	REVISION RECORD	AUTH.	DR. BY
5082	10/24	B	ADDED CURRENT TIMER		TSM
4632	12/2	A	UPDATED ALTERNATOR WIRING SCHEMATIC		TSM

TOLERANCES (UNLESS OTHERWISE NOTED)		WESTERBEKE CORPORATION AVON, MA. 02322	
INCHES	MILLIMETERS	TITLE	DATE
.0010	.0254	WIRING DIAGRAM/SCHEMATIC	
.0020	.0508	SCALE	DATE
.0050	.1270	8.0 BTDA, 10.0 BTDA, 12.5 BTDA, 15.0 BTDC - SRC	
.0100	.2540	DRAWN	DATE
.0150	.3810	MPG	
		APPROVED BY	DATE
		SCALE NONE	
		DRAWING NUMBER	
		SAT. 1 of 1	
		44735	