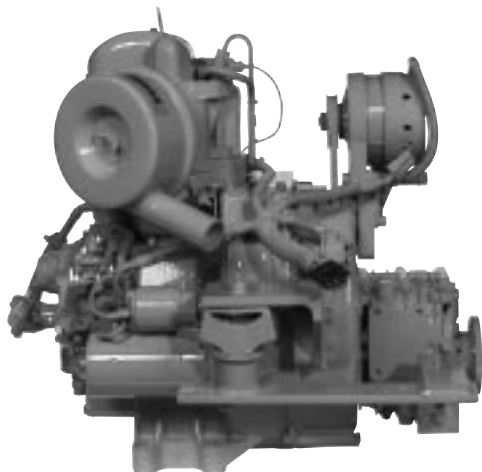


A light, compact engine for the small boat owner...



11A One
Marine Diesel Engine

Lightweight and Compact

The Westerbeke 11A One provides 10.7 horsepower at 3000-rpm and is one of the most compact Westerbeke propulsion engines yet introduced. This one-cylinder engine is designed for the small boat owner who is severely limited in available installation space and allowable weight.

Reliable

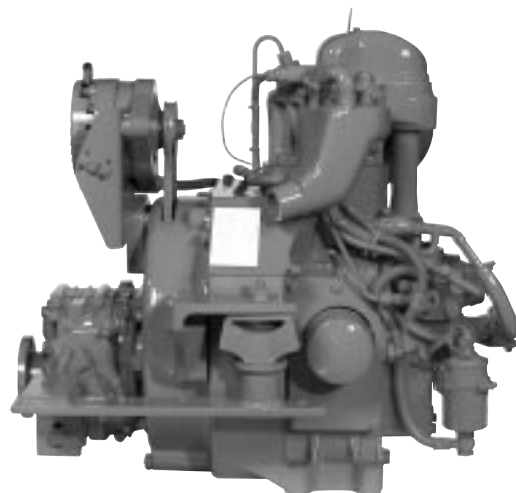
The 11A One is designed with reliability in mind. Not only will it bring you back to port when the wind is light, but it will also provide assistance when your battery is low. A simple hand crank is supplied with this engine for manual cranking. The 11A One is engineered to provide an engine that is as simple as possible to provide durability and, above all, reliability year after year.

Easy Operation and Maintenance

The 11A One is easy to operate with a simple start/stop key switch and has no fresh water cooling system to maintain.

The Name You Can Trust

The presence of Westerbeke in over 65 countries around the world provides customers with easy access to parts, service and technical support worldwide. Established in 1937, Westerbeke is committed to providing its customers with quality products and unequalled after sales support.



11A One
Marine Diesel Engine

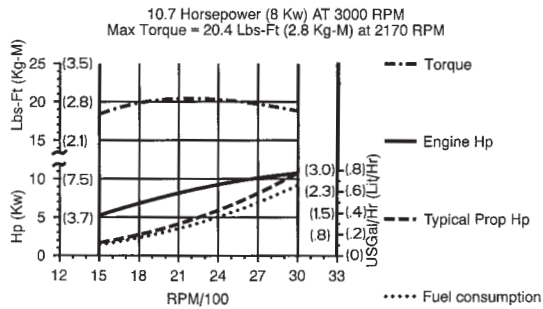
Dimensions

Length	23.7" (602.0 mm)
Width	21.6" (548.6 mm)
Height	21.7" (551.2 mm)
Weight	238 lbs. (108 kilos)

Standard Features

- Engine start/stop with indicating light and hour meter pre-wired to plug-in connector
- Low oil pressure/high water temperature alarm
- Circuit breaker protected electrical system
- Self-bleeding fuel system
- 12 Volt, 30 Amp alternator
- Link belt for easy belt replacement
- Throttle, stop, and shift control brackets
- Gear-driven raw water pump
- Short profile marine gear with 2.05:1 reduction
- Engine matched four-point, fail-safe, adjustable mounts
- Tuned air intake silencer
- Operators' manual and parts list
- EPA certified

Performance Data



Westerbeke recommends a propeller that will allow the engine to turn 3000 RPM underway at full throttle

Specifications

Number of cylinders	1 cylinder, vertical
Cycles	4 Cycle
Displacement	31.95 cu. in. (.524 liter)
Bore and stroke	3.74" x 2.91" (95 mm x 74 mm)
Compression ratio	20:1
Maximum angle of installation	Not to exceed 10°
Maximum angle of rotation	Not to exceed 15°
Crankshaft, direction of rotation	Counterclockwise as viewed from flywheel end
Propeller shaft, direction of rotation	Right hand – std. trans.
Dry weight	238 lbs (108 kilos)
Combustion system	Swirl type
Aspiration	Naturally aspirated
Lubrication system	Forced lubrication by gear pump
Starting aid	Manual start with automatic decompression
Engine stop	Manual type
Fuel injection pump	Bosch type
Governor	Centrifugal type
Injectors	Direct injection
Fuel filter	Primary
Lube oil filter	Full flow, spin-on element
Lubricant capacity	1.7 quarts (1.6 liters)

Specifications (cont.)

Fuel transfer pump	Mechanical
Fuel supply and return piping	1/4" ID (6.35 mm) minimum 5/16" ID (7.94 mm) maximum
Starting motor	12 volt, solenoid, actuated
Battery charging alternator	30 ampere (12 volts)
Cold cranking amps	70 amps at 71 degrees F
Alternator/regulator	Automatic, solid state built-in
Electrical system	12 volts DC, negative ground

Construction – Engine Components

Cylinder head	Cast Iron
Cylinder block	Steel
Crankshaft	Forged crankshaft, 2 main bearings
Valves	Overhead valves, rotating type
Fuel System	Self bleeding
Intake system	Tuned intake silencer for maximum noise reduction
Cooling system	Raw water-cooled
Exhaust manifold	Cast aluminum, raw water-cooled with

Standard Equipment

Start/stop panel with indicating light	
Standard gear ratio	2.05:1
Mounting centers	18.9"
Flexible mounts	Fail-safe rubber type
Battery charging alternator	30 ampere (12 volts)
Control brackets	For all control attachments
Prewired Engine	
Gear-driven raw water pump	
Oil fill	Top
Circuit breaker protected electrical system	
Operator's Manual and Parts List	

Optional Equipment

Muffler	
Anti-siphon	
"A" on board spare parts kit	"B" on board spare parts kits

Dimensions

