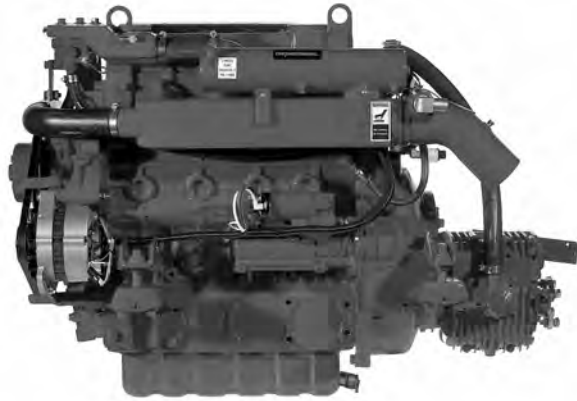
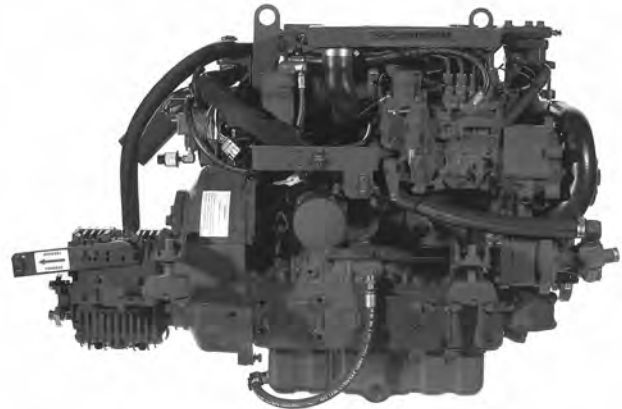




Extra low-end power at 2600 rpm...



65A Four Diesel Engine



65A Four Diesel Engine

Smooth and Quiet

The 65A Four offers 4-cylinder, 4-cycle smoothness. A tuned air intake silencer and 4-point vibration mounts diminish sound and vibration for a smooth and quiet ride.

Powerful and Reliable

The naturally aspirated 3.3 liter design of the 65A Four provides instant power as well as simplicity and reliability. The 65A Four is rated at a low 2600-rpm for longer engine life and delivers dependable power.

Easy Operation and Maintenance

In order to minimize engine maintenance, a fresh water cooling system and "EZ-Bleed" fuel system are designed into the 65A Four. Some benefits are a standard front-mounted, raw water pump as well as a positive flow, hot water heater connection in the thermostat bypass circuit.

Many Optional Accessories

Many optional accessories are available including large single and dual output battery charging alternators and refrigeration compressor mounts. Factory engineered and factory installed, an owner or builder benefits from these complete and properly designed systems.

The Name You Can Trust

The presence of Westerbeke in over 65 countries around the world provides customers with easy access to parts, service and technical support worldwide. Established in 1937, Westerbeke is committed to providing its customers with quality products and unequalled after sales support.

Standard Features

- Engine pre-wired to plug-in connector
- Circuit breaker protected electrical system
- Electric stop
- "EZ-Bleed" fuel system
- Gear-driven, raw water pump
- Fresh water cooled engine
- Fresh water lube oil cooler
- Transmission oil cooler
- 72 amp, battery charging alternator
- Domestic hot water connection
- Coolant recovery tank
- Throttle, stop, and shift control brackets
- Low oil pressure and high water temperature alarms
- Marine transmission with 1:88:1 reduction
- Glow plug cold starting aid
- Engine matched four-point, fail-safe, adjustable mounts
- Lube oil drain hose
- Tuned air intake silencer
- Operators' manual and parts list



Optional Admiral Panel

Admiral Panel Dimensions

| | | |
|--------|-------|------------|
| Length | 9.75" | (247.7 mm) |
| Depth | 4.0" | (101.6 mm) |
| Height | 6.0" | (152.4 mm) |

| | |
|--------------------|-----------------------------------|
| Starting motor | 12 volt, solenoid, actuated shift |
| Cold cranking amps | 400-600 amps (includes heater) |
| Electrical system | 12 volts DC, negative ground |

Construction-Engine Components

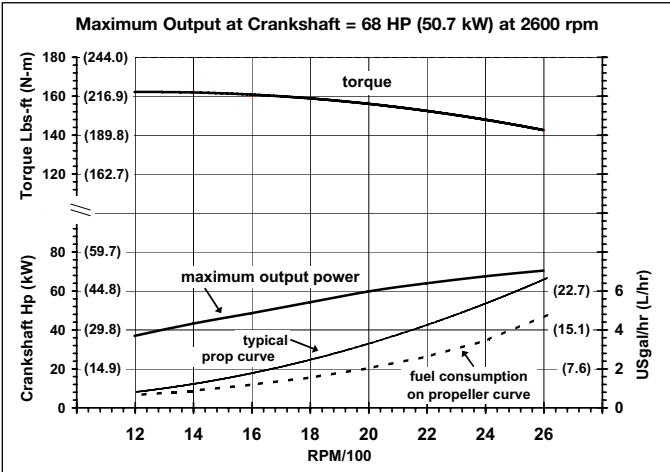
| | |
|------------------|--|
| Cylinder head | Cast Iron |
| Cylinder block | Cast Iron |
| Crankshaft | Forged crankshaft, five main bearings |
| Valves | Overhead valves |
| Fuel System | "EZ-Bleed" |
| Intake system | Tuned intake system for maximum noise reduction |
| Cooling system | Fresh water-cooled with heat exchanger |
| Exhaust manifold | Cast aluminum, fresh water-cooled with |

Standard Equipment

| | |
|---|---|
| Standard gear ratio | 1:88:1 |
| Mounting centers | 20.0" and 22.5" |
| Flexible mounts | Oversized adjustable fail-safe rubber type |
| Domestic hot water connection | |
| Coolant recovery tank | |
| Battery charging alternator | 72 amp, 12 volt |
| Control brackets | Throttle and shift |
| Prewired Engine | |
| Gear-driven raw water pump | |
| Lube oil cooler in fresh water system | |
| Lube oil drain hose | |
| Transmission oil cooler | |
| Oil fill | Top and side |
| Circuit breaker protected electrical system | |
| Operator's Manual and Parts List | |

Optional Equipment

| | |
|---|---------------------------|
| Captain panel with alarm (tachometer with lights) | |
| Admiral panel with alarms (tachometer with gauges) | |
| Dual station senders | |
| Other gear ratios | Consult local Distributor |
| Hydraulic transmissions | Consult local Distributor |
| Remote expansion tank | |
| Provisions for refrigeration compressor | |
| Muffler and fittings | |
| "A" and "B" on board spare parts kits | |
| Alternator, 100, 160, 190 amp single output | |
| Anti-siphon valve for overboard cooling discharge water | |
| Technical Manual | |
| Exhaust connection (water injected 45° or 70° elbow) | |
| Propeller shaft couplings (rigid/flexible)-available standard sizes | |

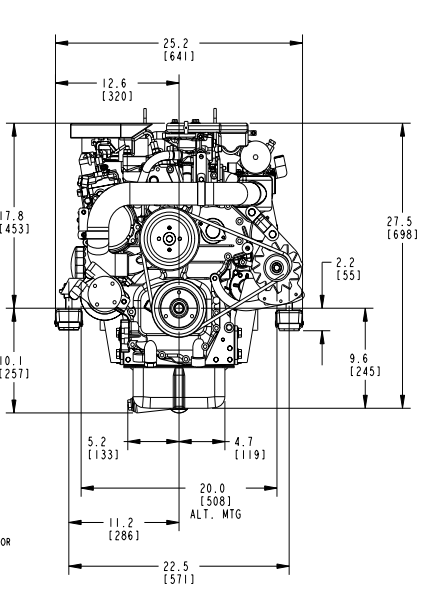
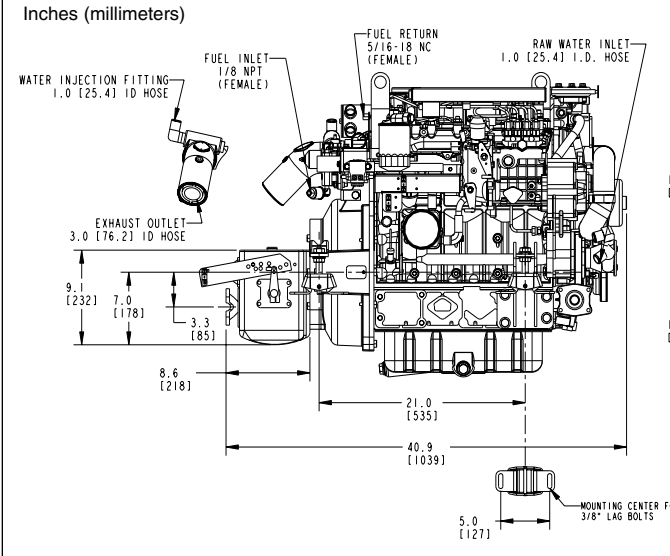


Westerbeke recommends a propeller that will allow the engine to turn 2600 rpm underway at full throttle. Output is according to ISO 8665/3046. Fuel density 0.840 kg/L at 15 °C. Output includes +/- 5% tolerance.

Specifications

| | |
|--|--|
| Number of cylinders | 4 Cylinder vertical in-line |
| Cycles | 4 cycle |
| Displacement | 202.5 cu. in. (3.3 liter) |
| Bore and stroke | 3.86" x 4.33" (98.0 mm x 110.0 mm) |
| Compression ratio | 22.6:1 |
| Maximum angle of installation | Not to exceed 14° |
| Maximum angle of operation | Not to exceed 25° |
| Crankshaft, direction of rotation | Counterclockwise as viewed from flywheel end |
| Propeller shaft, direction of rotation | Right hand – std. trans. |
| Dry weight | 730 lbs. (331 kilos) |
| Combustion system | Indirect injection |
| Aspiration | Naturally aspirated |
| Lubrication system | Trochoid type pump |
| Cooling system | 16 quarts (15.14 liters) |
| Starting aid | 12 volt sheathed type glow plug |
| Engine stop | Electric |
| Fuel injection pump | Bosch type mini pump |
| Governor | Mechanical |
| Injectors | Bosch type |
| Fuel Filter | Full flow, spin-on element |
| Lube oil filter | Full flow, spin-on element |
| Lubricant capacity (incl. filters) | 14 quarts (13.3 liters) |
| Lube oil cooler | Fresh water cooled |
| Fuel transfer pump | 12 volt electric type |
| Fuel supply and return piping | 1/4" ID (6.35 mm) minimum 3/8" ID (9.53 mm) maximum |

Dimensions



Authorized Dealer