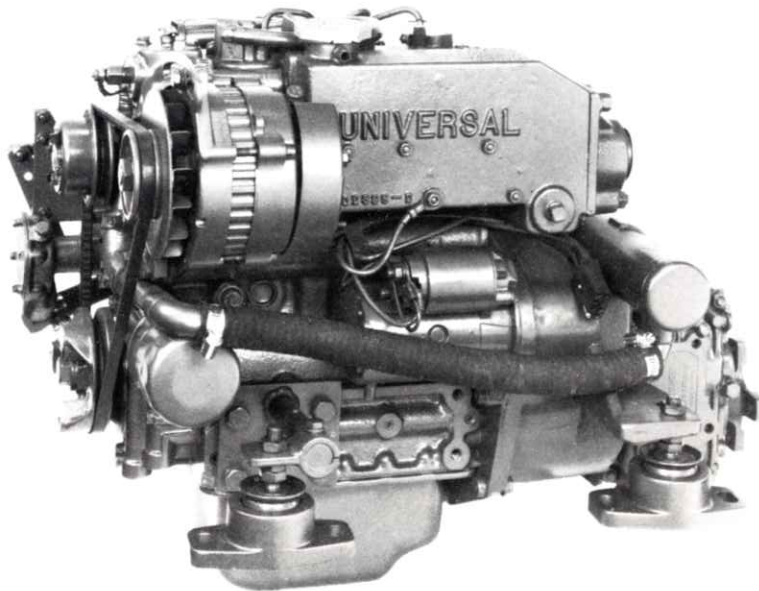
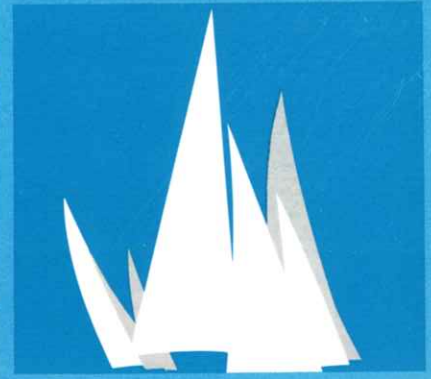


Universal

DIESEL MARINE ENGINES



When Mother Nature takes the wind out of your sails, nothing will put it back like a Universal Diesel. Smoothly. Dependably. With the right combination of high torque and low R.P.M. to get you where you want to go . . . quiet as the wind.

With a choice of seven models ranging from 18 to 44 horsepower, there's a lightweight, compact Universal Diesel engine that's exactly the right size for your boat.

Features

CYLINDER BLOCK: Spherical graphite cast iron for maximum vibration dampening.

CYLINDER HEAD: Marine chrome nickel alloy iron with spherical combustion chamber for smooth running and clean exhaust.

CRANKSHAFT: High grade steel, statically and dynamically balanced. Drilled for pressure lubrication.

OIL PAN: Stamped steel, detachable for inspection purposes.

COOLING SYSTEM: Closed fresh water heat exchanger.

FUEL SYSTEM: Bosch fuel injection system. Fuel filter with replaceable element and E-Z bleed.

LUBRICATION: Full pressure lubrication with full flow spin-on oil filter.

TRANSMISSION: Drop center gear with helical gears and a mechanical friction clutch permit free wheeling of the propeller with no effect on the gear. Standard reduction ratio of 2:1. Lubricated separately from the engine.

FLEXIBLE MOUNTS: Engine equipped with four point adjustable mounting for ease of installation and minimum vibration.

ELECTRICAL SYSTEM: 12 volt system standard. Marine type 51 Amp alternator with transistorized regulator, electric starter with solenoid for remote starting.

GLOW PLUGS: For easy starting year around.

Standard Equipment

Fresh water cooling, sea water pump, alternator, flex mounts, lifting eye, Hurth reduction transmission, electric fuel pump, fuel filter, lube oil filter, glow plugs, E-Z bleed fuel system, hand sump pump - oil, prewired engine, battery charging alternator, coolant recovery tank, control brackets - fuel - shift - stop, lube oil drain hose, operator's manual and parts list.

Propeller Rotation

Right hand propeller.

Optional

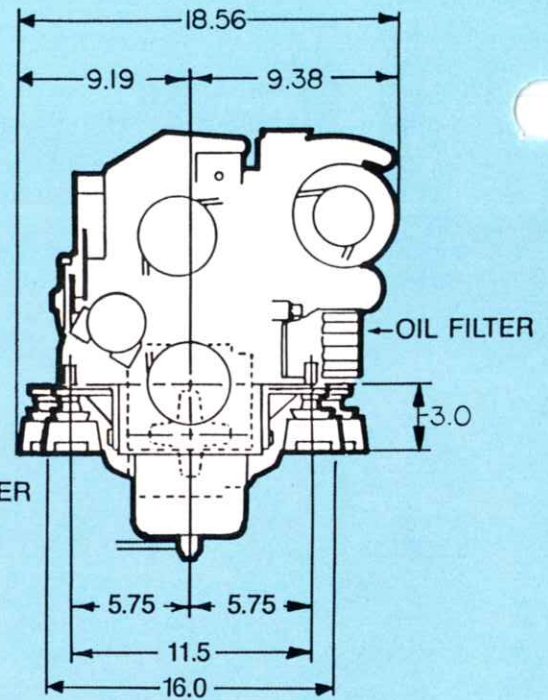
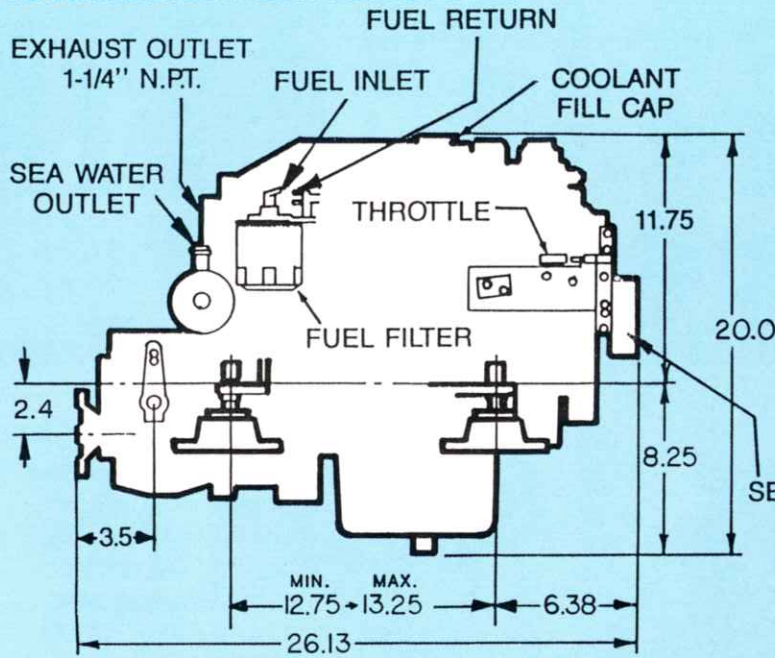
On-board spare parts kit. Instrument panels. Flexible coupling. E-Z Align, V-Drive gear. Remote expansion tank. Exhaust connection (90°, 45° elbows and riser). Anti-siphon valve. Technical manual. Other gear ratios. 72 amp, 12 volt alternator.

Universal Motors

THE LEADER IN MARINE POWER SINCE 1898

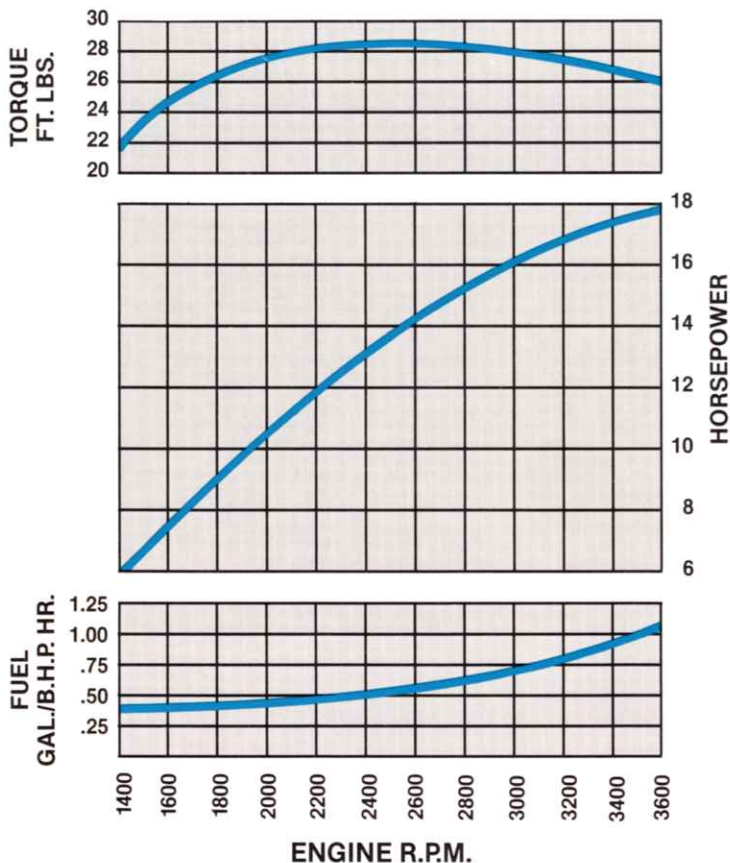
M3-20A

installation dimensions



Dimensions approximate, drawings are not to scale.

Mounts adjustable to 11.5, 14.5 or 16 centers



Note: Propeller load will decrease fuel consumption rate.

specifications

Engine Type 4 cycle
 Number of Cylinders..... 3-Vertical
 Displacement 39.0 Cu. In.
 Bore 2.60 In. Stroke 2.45 In.
 Starter 12 Volt
 H.P./KW 18 @ 3600 RPM/13.4
 Alternator 12 Volt 51 Amp
 Maximum Installation Angle 15°
 Engine Weight 235 Lbs.
 Propeller Rotation Right Hand



- Captain Instrument Panel with indicating lights and 15' wiring harness
- Admiral Instrument Panel with oil pressure and water temperature gauges, battery charge rate voltmeter, 15' wiring harness
- Both panels include high water temperature and low oil pressure alarms

Universal Motors

Westerbeke Corporation
 Avon Industrial Park • Avon, MA 02322
 TEL. (508) 588-7700 FAX (508) 559-9323

Specifications may change without notice.