

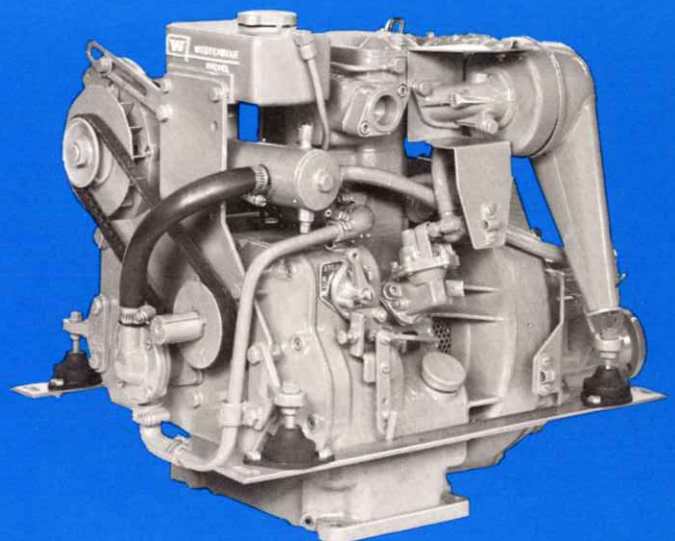
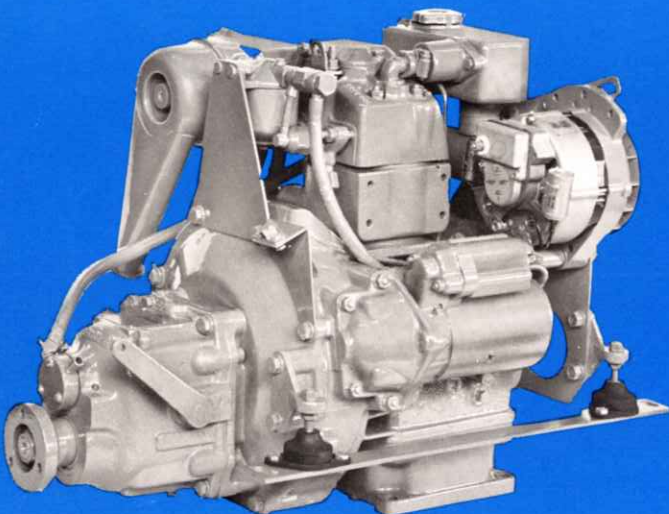
WESTERBEKE 7 LIGHTWEIGHT MARINE DIESEL ENGINE

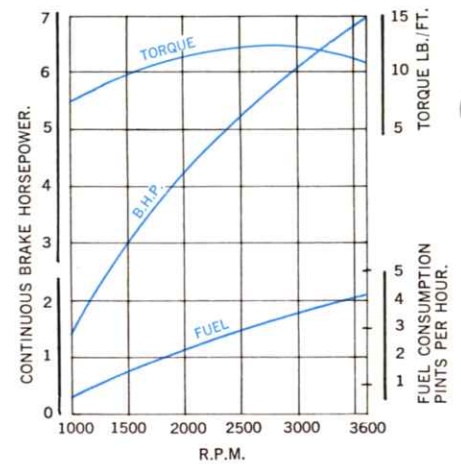
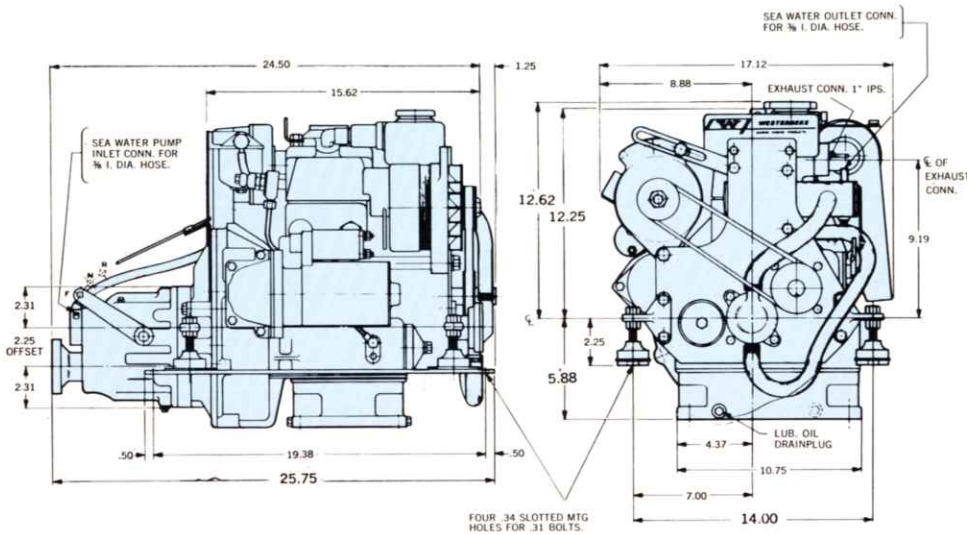


23' STONE HORSE
by Edey and Duff

Features:

- **Lightweight** – The smallest, lightest, water-cooled marine diesel engine.
- **Separate starter and alternator**
- **Positive Neutral**
- **Fresh water cooling**
- **Factory pre-wiring**
- **Built-in 2:1 reduction gear**





WESTERBEKE 7 SPECIFICATIONS

Type: One cylinder four cycle vertical diesel.
Displacement: 18.5 cu. in. (303 cc.); bore 3", stroke 2 $\frac{5}{8}$ ".
Power: 7 hp. at 3600 rpm continuous.
Compression Ratio: 17:1.
Weight: 186 lb. with 2:1 reduction gear.
Cylinder Block: Aluminum.
Cylinder: Cast Iron.
Cylinder Head: Aluminum.
Crankshaft: Steel, counterbalanced.
Connecting Rod: Forged Steel.
Piston: Aluminum.
Bearings: Tri metal.
Lubrication: Full pressure to main and large end bearings. Full flow integral replaceable lube oil filter.
Cooling System: Fresh water cooling with heat exchanger.
Installation Angle: 15° maximum.
Fuel System: Bryce injection pump, variable speed governor with automatic overload control. Camshaft driven fuel lift pump with hand primer.
Fuel Consumption: See fuel consumption curve.
Electrical System: 12-volt starter, 55-amp alternator.
Transmission: Paragon/Westerbeke 2:1 reduction and reverse gear with positive neutral.

STANDARD EQUIPMENT:

2:1 manual reverse and reduction gear; electric starter, 55-amp alternator, factory pre-wiring with push-button start; closed circuit cooling system with heat exchanger, fresh and raw water pumps mounted; adjustable flexible engine mounts; full flow lube oil filter, sump pump and hose; fire-shielded flexible hose connections for fuel supply and return, secondary fuel oil filter, fuel lift pump with hand primer; threaded 1" IPS exhaust flange; mounting brackets for control cables; illustrated parts list and instruction manual.

OPTIONAL EQUIPMENT:

Pre-wired instrument panel, indicating oil pressure, water temperature, and amps, with 10-foot plug-in cable; Hydro-hush stainless steel water lift muffler; water-injected exhaust elbow; primary fuel oil filter; flexible shaft coupling; sea water strainer; on-board spare parts kit.

WHY A WESTERBEKE 7?

In the past, diesel safety was available only in larger boats. The WESTERBEKE 7 brings this safety and reliability to even the smallest sailboats. And fresh water cooling adds long life.

Compare our model 7 to the most popular marine gasoline engine. Our engine is smaller, lighter, safer, more reliable and better suited to smaller boats. If you add the features that are standard on our diesel to the gasoline engine, the price difference is insignificant.

And you'll save time and money in the installation. Its compact size, plug-in engine pre-wiring, control cable brackets and easily adjustable flexible mounts can save hours of a mechanic's time. The regulated temperature of our fresh water cooling system produces smoother and quieter operation. You'll like the way your boat handles with the fingertip control and positive neutral of its modern 2:1 reduction gear.

Finally, a diesel will add to your boat's resale value. With all these features, it makes economical sense to install a WESTERBEKE 7.

Westerbeke engines and related products are sold and serviced by Westerbeke dealers and distributors throughout North America.



J. H. WESTERBEKE CORP.

AVON INDUSTRIAL PARK, AVON, MASS. 02322 • (617) 588-7700
 CABLE: WESTCORP, AVON • TELEX: 92-4444

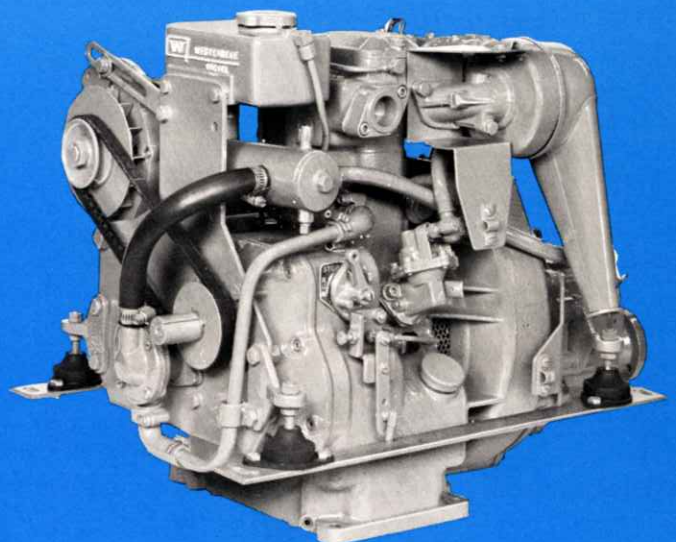
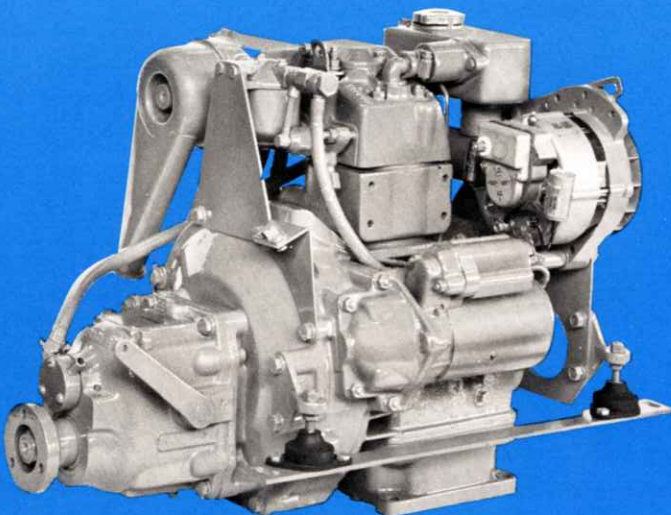
WESTERBEKE 7 LIGHTWEIGHT MARINE DIESEL ENGINE

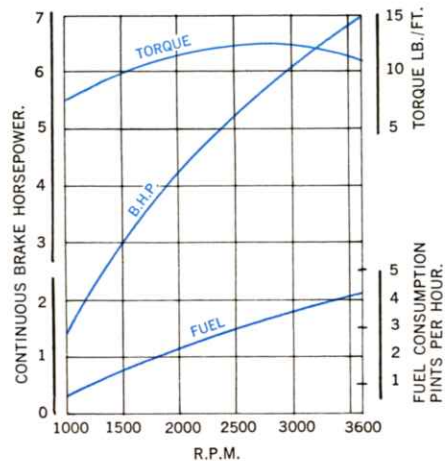
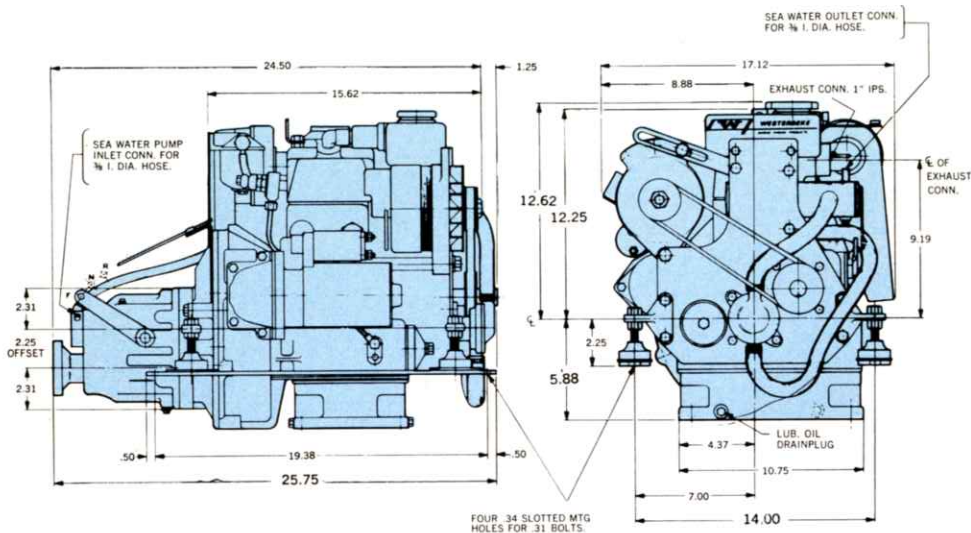


23' STONE HORSE
by Edey and Duff

Features:

- **Lightweight** – The smallest, lightest, water-cooled marine diesel engine.
- **Separate starter and alternator**
- **Positive Neutral**
- **Built-in 2:1 reduction gear**
- **Fresh water cooling**
- **Factory pre-wiring**





WESTERBEKE 7 SPECIFICATIONS

Type: One cylinder four cycle vertical diesel.

Displacement: 18.5 cu. in. (303 cc.); bore 3", stroke 2 5/8".

Power: 7 hp. at 3600 rpm continuous.

Compression Ratio: 17:1.

Weight: 186 lb. with 2:1 reduction gear.

Cylinder Block: Aluminum.

Cylinder: Cast Iron.

Cylinder Head: Aluminum.

Crankshaft: Steel, counterbalanced.

Connecting Rod: Forged Steel.

Piston: Aluminum.

Bearings: Tri metal.

Lubrication: Full pressure to main and large end bearings. Full flow integral replaceable lube oil filter.

Cooling System: Fresh water cooling with heat exchanger.

Installation Angle: 15° maximum.

Fuel System: Bryce injection pump, variable speed governor with automatic overload control. Camshaft driven fuel lift pump with hand primer.

Fuel Consumption: See fuel consumption curve.

Electrical System: 12-volt starter, 55-amp alternator.

Transmission: Paragon/Westerbeke 2:1 reduction and reverse gear with positive neutral.

STANDARD EQUIPMENT:

2:1 manual reverse and reduction gear; electric starter, 55-amp alternator, factory pre-wiring with push-button start; closed circuit cooling system with heat exchanger, fresh and raw water pumps mounted; adjustable flexible engine mounts; full flow lube oil filter, sump pump and hose; fire-shielded flexible hose connections for fuel supply and return, secondary fuel oil filter, fuel lift pump with hand primer; threaded 1" IPS exhaust flange; mounting brackets for control cables; illustrated parts list and instruction manual.

OPTIONAL EQUIPMENT:

Pre-wired instrument panel, indicating oil pressure, water temperature, and amps, with 10-foot plug-in cable; Hydro-hush stainless steel water lift muffler; water-injected exhaust elbow; primary fuel oil filter; flexible shaft coupling; sea water strainer; on-board spare parts kit.

WHY A WESTERBEKE 7?

In the past, diesel safety was available only in larger boats. The WESTERBEKE 7 brings this safety and reliability to even the smallest sailboats. And fresh water cooling adds long life.

Compare our model 7 to the most popular marine gasoline engine. Our engine is smaller, lighter, safer, more reliable and better suited to smaller boats. If you add the features that are standard on our diesel to the gasoline engine, the price difference is insignificant.

And you'll save time and money in the installation. Its compact size, plug-in engine pre-wiring, control cable brackets and easily adjustable flexible mounts can save hours of a mechanic's time. The regulated temperature of our fresh water cooling system produces smoother and quieter operation. You'll like the way your boat handles with the fingertip control and positive neutral of its modern 2:1 reduction gear.

Finally, a diesel will add to your boat's resale value. With all these features, it makes economical sense to install a WESTERBEKE 7.

Westerbeke engines and related products are sold and serviced by Westerbeke dealers and distributors throughout North America.



J. H. WESTERBEKE CORP.

AVON INDUSTRIAL PARK, AVON, MASS. 02322 • (617) 588-7700
CABLE: WESTCORP, AVON • TELEX: 92-4444

WESTERBEKE 7

for large daysailers and small cruising boats

fresh water cooled
marine diesel
engine

186 lbs.

7 hp.



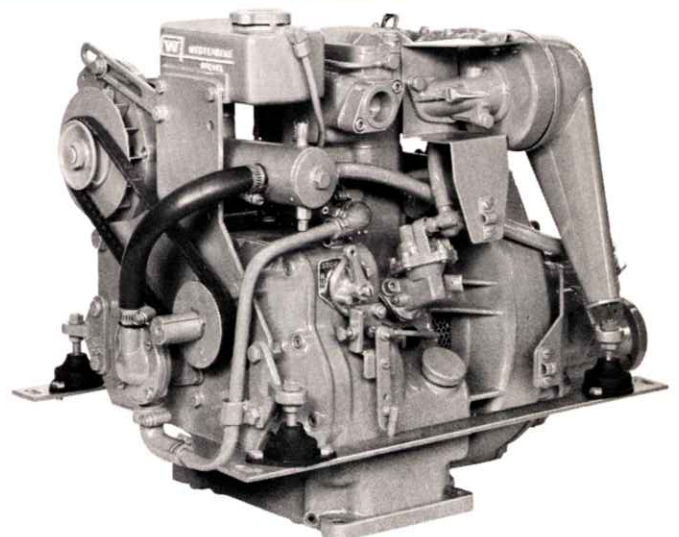
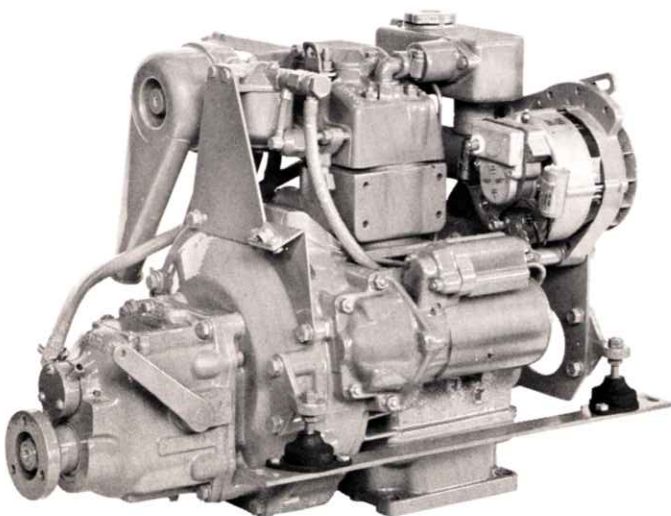
23' STONE HORSE by Edey and Duff

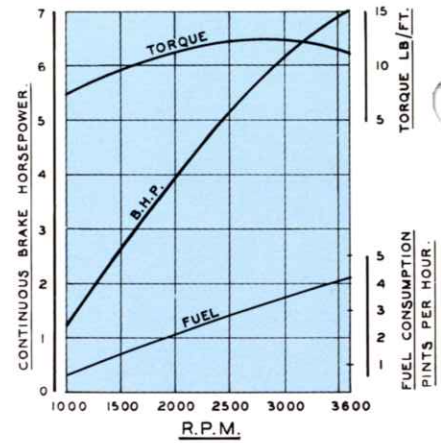
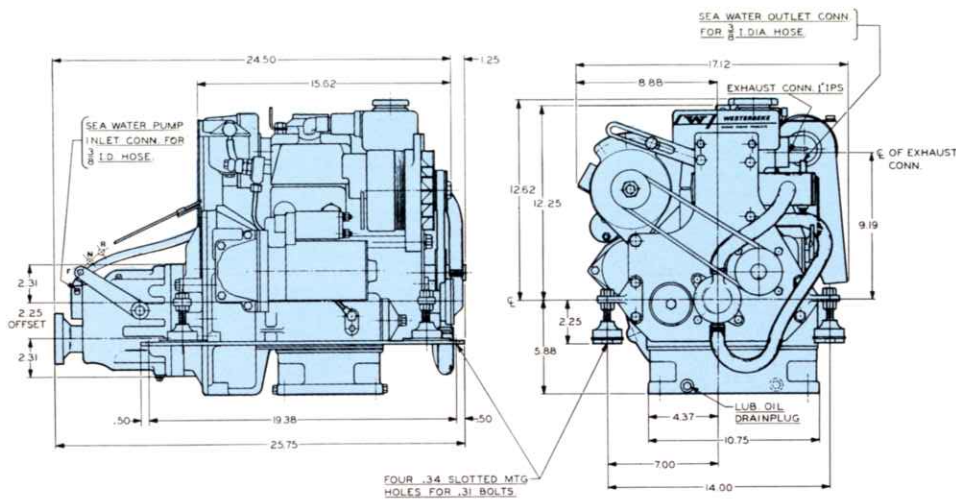
The smallest, lightest, water cooled marine diesel engine in the world.

Separate starter and alternator • Fresh water cooling

Positive neutral • Built-in 2:1 reduction gear

• Factory pre-wiring





WESTERBEKE 7 Specifications

- Type:** One cylinder four cycle vertical diesel.
- Displacement:** 18.5 cu. in. (303 cc.); bore 3", stroke 2 $\frac{5}{8}$ ".
- Power:** 7 hp. at 3600 rpm continuous.
- Compression Ratio:** 17:1.
- Weight:** 186 lb. with 2:1 reduction gear.
- Cylinder Block:** Aluminum.
- Cylinder:** Cast Iron.
- Cylinder Head:** Aluminum.
- Crankshaft:** Steel, counterbalanced.
- Connecting Rod:** Forged Steel.
- Piston:** Aluminum.
- Bearings:** Tri metal.
- Lubrication:** Full pressure to main and large end bearings.
Full flow integral replaceable lube oil filter.
- Cooling System:** Fresh water cooling with heat exchanger.
- Installation Angle:** 15° maximum.
- Fuel System:** Bryce injection pump, variable speed governor with automatic overload control. Camshaft driven fuel lift pump with hand primer.
- Fuel Consumption:** See fuel consumption curve.
- Electrical System:** 12-volt starter, 55-amp alternator.
- Transmission:** Paragon/Westerbeke 2:1 reduction and reverse gear with positive neutral.
- Standard Equipment:** 2:1 manual reverse and reduction gear; electric starter, 55-amp alternator, factory pre-wiring with push-button start; closed circuit cooling system with heat exchanger, fresh and raw water pumps mounted; adjustable flexible engine mounts; full flow lube oil filter, sump pump and hose; fire-shielded flexible hose connections for fuel supply and return, secondary fuel oil filter, fuel lift pump with hand primer; threaded 1" IPS exhaust flange; mounting brackets for control cables; illustrated parts list and instruction manual.

Optional Equipment: Pre-wired instrument panel, indicating oil pressure, water temperature, and amps, with 10-foot plug-in cable; Hydro-hush stainless steel water lift muffler; water-injected exhaust elbow; primary fuel oil filter; flexible shaft coupling; sea water strainer; on-board spare parts kit.

Why a WESTERBEKE 7 ?

In the past, diesel safety was available only in larger boats. The WESTERBEKE 7 brings this safety and reliability to even the smallest cruisers. And now price is no longer a factor.

Compare the WESTERBEKE 7 to the most popular marine gasoline engine. Our engine is smaller, lighter, safer, more reliable and better suited to smaller boats. If you add the features that are standard on the WESTERBEKE 7 to the gasoline engines, the price difference is insignificant.

You'll save time and money by installing a WESTERBEKE 7. Its compact size, plug-in engine pre-wiring, control cable brackets and easily adjustable flexible mounts can save hours of a mechanic's time. Fresh water cooling will make your WESTERBEKE 7 last longer. You'll like the way your boat handles with the fingertip control and positive neutral of the WESTERBEKE 7.

Finally, a WESTERBEKE 7 will add to your boat's resale value. With all those features, it makes economical sense to install a WESTERBEKE 7.

Westerbeke engines and generator sets are sold and serviced by Westerbeke distributors in major port cities throughout the United States.



J. H. WESTERBEKE CORP.

AVON INDUSTRIAL PARK, AVON, MASS. 02322 • (617) 588-7700

CABLE: WESTCORP, AVON • TELEX: 92-4444