

**WESTERBEKE**

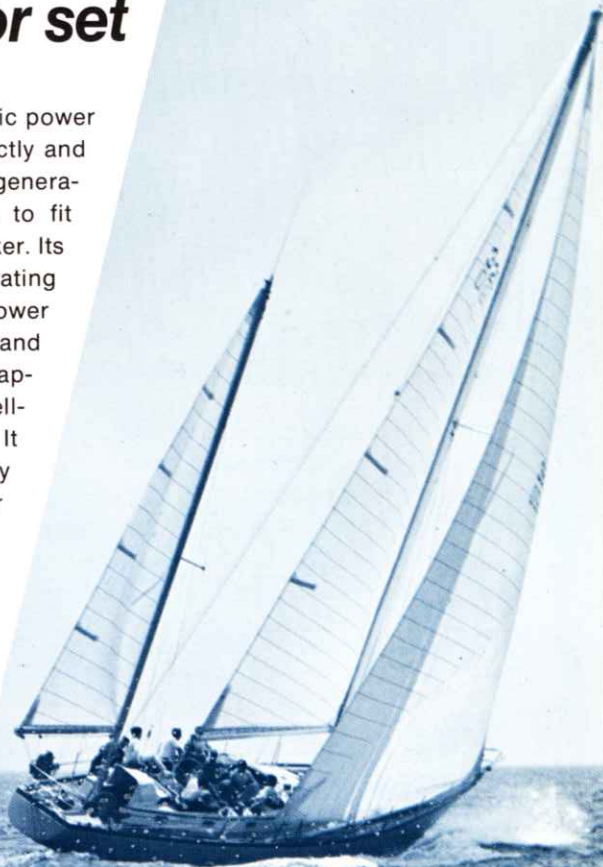
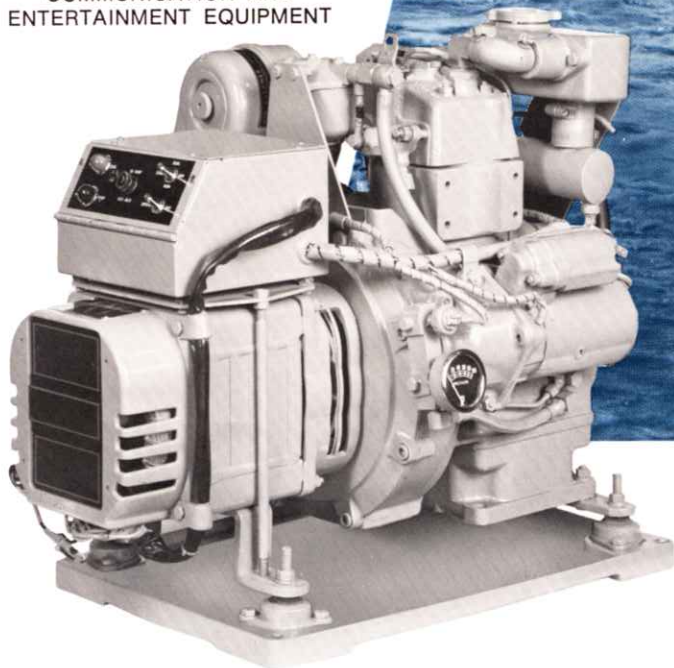
*120 volt electricity  
for power or sail*

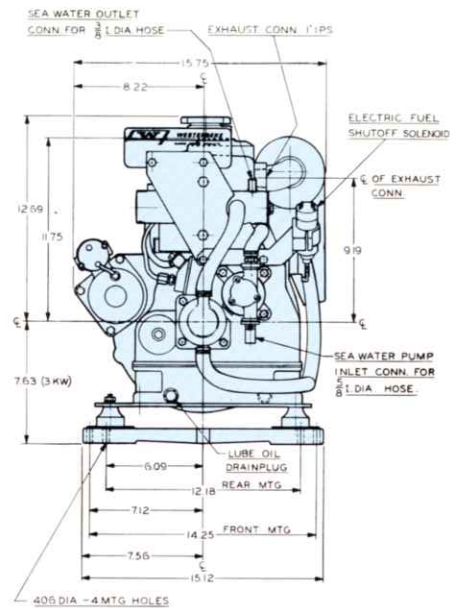
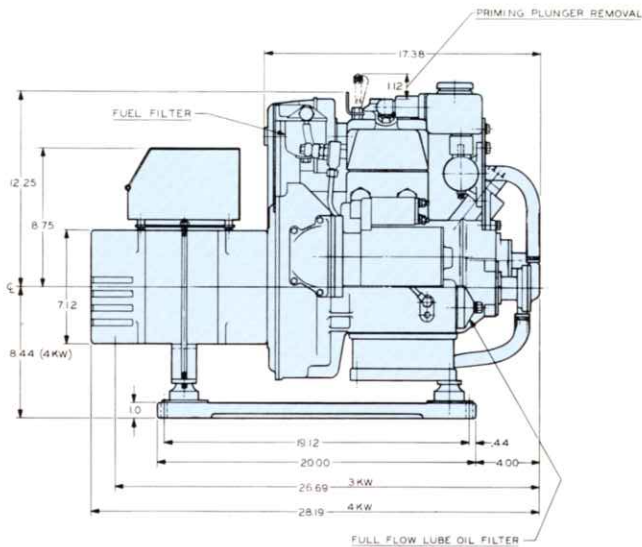
**WPD-4  
4kw fresh  
water cooled  
marine diesel  
generator set**

Now have all the electric power you need afloat, compactly and dependably. This small generator set is small enough to fit easily in a lazarette or locker. Its 3500-watt continuous rating makes it ideal as primary power for small diesel motor boats and sailboats to run the 120-volt appliances that make a well-equipped boat a home afloat. It can also serve as secondary power in larger boats with greater electrical requirements.

Compact and smooth-running, with proper insulation and muffler, the WPD-4 will be a pleasant shipmate.

REFRIGERATION  
ELECTRIC COOKING  
MICROWAVE OVEN  
CABIN APPLIANCES  
POWER TOOLS  
NAVIGATION,  
COMMUNICATION AND  
ENTERTAINMENT EQUIPMENT





## WESTERBEKE WPD-4 Specifications

**Engine:** Single cylinder, fresh water cooled four cycle diesel.

**Displacement:** 18.5 cu. in. (303 cc); bore 3", stroke 2 5/8".

**Power:** 7 hp. at 3600 rpm.

**Cooling:** Fresh water cooling with heat exchanger.

**Starting:** Engine mounted 12-volt starting motor.

**Lubrication:** Full pressure to main and connecting rod bearings. Full flow integral replaceable lube oil filter.

**Mounting:** Engine-generator assembly is mounted on aluminum drip-pan base with heavy duty shielded rubber mounts to minimize vibration.

**Fuel System:** Bryce injection pump, governed to 3600 rpm. Camshaft-drive fuel lift pump with hand primer.

**Fuel Consumption:** Approx. 0.45 gallons per hour at full output.

**Alternator:** Rotating field, single bearing with shaft-mounted fan.

**Output:** 3500 watts for continuous operation; up to 33 amps, 120 volts, AC. 12 volts DC, 0-8 amps for battery charging.

**Frequency:** 60 Hertz.

**Phase:** Single.

**Power Factor:** Unity.

**Controls:** Angle-mounted on top of generator for visibility. Cover swings up for easy servicing. Electric start and stop. Solid state battery charging control circuit reduces heat, increases efficiency and reliability, and is immune to vibration and shock. High water temperature/low oil pressure shut down.

**Weight:** 233 lbs.

**Standard Equipment:** Integral drip-pan base with vibration isolators and drain plug; closed circuit cooling system with heat exchanger, fresh and raw water pumps mounted; full flow lube oil filter, sump pump and hose; fire shielded flexible hose connections for fuel supply and return, secondary fuel oil filter, fuel lift pump with hand primer; electric start and fuel shut off; high water temperature/low oil pressure shut down; battery charge circuit with charge indicator light; 1" IPS threaded exhaust flange; illustrated parts list and instruction manual.

**Optional Equipment:** Remote start; shore transfer switch; high capacity primary fuel filter; water injected exhaust elbow; Hydro-hush stainless steel water lift muffler; sea water strainer; on-board spare parts kit.

## WESTERBEKE WPD-4 Features

The **WESTERBEKE WPD-4** is an excellent generator set for medium sized diesel-powered yachts with moderate electrical requirements. It is small, light, smooth running, safe, dependable and economical to operate.

It has a newly designed revolving field alternator which provides longer brush life, improved voltage regulation and excellent motor starting capability. Fresh water cooling gives you longer engine life. The automatic safety shutoffs further safeguard the engine. The electric start and fuel shutoff feature permits you to operate the generator remotely.

The **WESTERBEKE WPD-4** is a well balanced unit, well mounted, with vibration isolators. When installed in accordance with our recommendations, with adequate insulation and muffler, it will make a welcome shipmate.

*Westerbeke engines and generator sets are sold and serviced by Westerbeke distributors in major port cities throughout the United States.*



# J. H. WESTERBEKE CORP.

AVON INDUSTRIAL PARK, AVON, MASS. 02322 • (617) 588-7700  
CABLE: WESTCORP, AVON • TELEX: 92-4444

**WESTERBEKE**

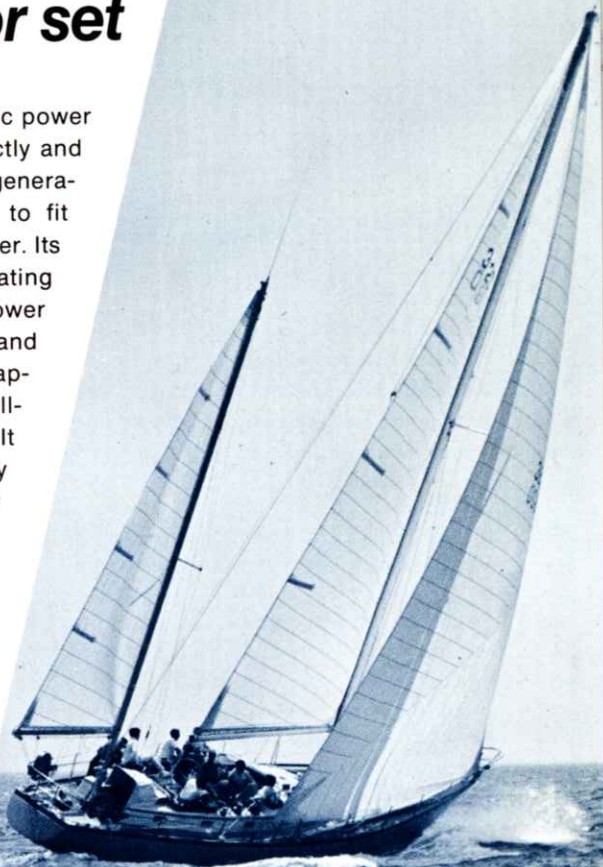
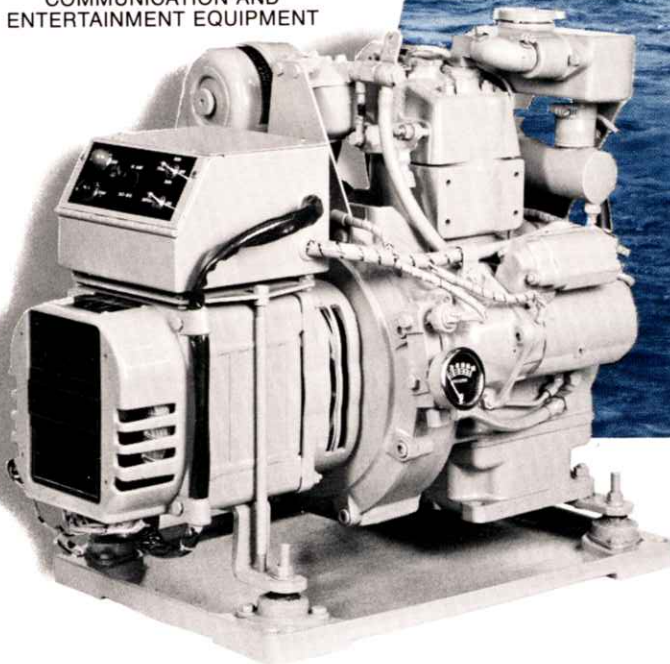
*120 volt electricity  
for power or sail*

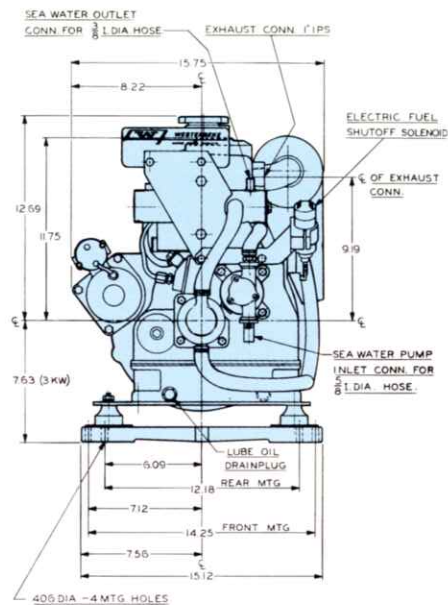
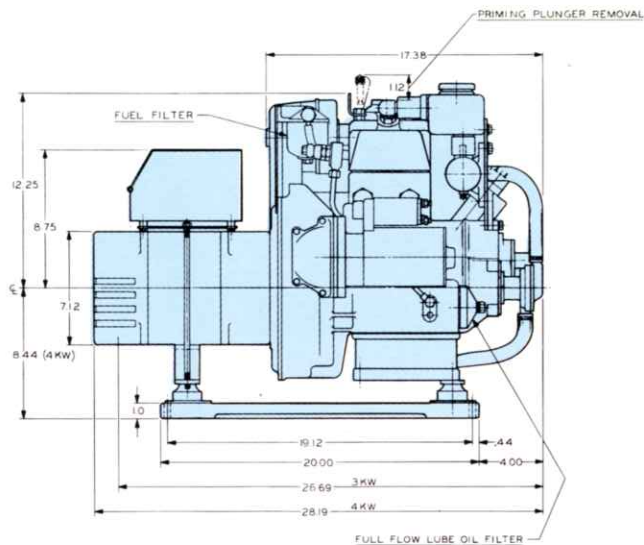
## **WPD-4 4kw fresh water cooled marine diesel generator set**

Now have all the electric power you need afloat, compactly and dependably. This small generator set is small enough to fit easily in a lazarette or locker. Its 4000-watt continuous rating makes it ideal as primary power for small diesel motor boats and sailboats to run the 120-volt appliances that make a well-equipped boat a home afloat. It can also serve as secondary power in larger boats with greater electrical requirements.

Compact and smooth-running, with proper insulation and muffler, the WPD-4 will be a pleasant shipmate even in the quietest anchorage.

REFRIGERATION  
ELECTRIC COOKING  
MICROWAVE OVEN  
CABIN APPLIANCES  
POWER TOOLS  
NAVIGATION,  
COMMUNICATION AND  
ENTERTAINMENT EQUIPMENT





## WESTERBEKE WPD-4 Specifications

**Engine:** Single cylinder, fresh water cooled four cycle diesel.

**Displacement:** 18.5 cu. in. (303 cc); bore 3", stroke 2 5/8".

**Power:** 7 hp. at 3600 rpm.

**Cooling:** Fresh water cooling with heat exchanger.

**Starting:** Engine mounted 12-volt starting motor.

**Lubrication:** Full pressure to main and connecting rod bearings. Full flow integral replaceable lube oil filter.

**Mounting:** Engine-generator assembly is mounted on aluminum drip-pan base with heavy duty shielded rubber mounts to minimize vibration.

**Fuel System:** Bryce injection pump, governed to 3600 rpm. Camshaft-drive fuel lift pump with hand primer.

**Fuel Consumption:** Approx. 0.45 gallons per hour at full output.

**Alternator:** Rotating field, single bearing with shaft-mounted fan.

**Output:** 4000 watts for continuous operation; up to 33 amps, 120 volts, AC. 12 volts DC, 0-8 amps for battery charging.

**Frequency:** 60 Hertz.

**Phase:** Single.

**Power Factor:** Unity.

**Controls:** Angle-mounted on top of generator for visibility. Cover swings up for easy servicing. Electric start and stop. Solid state battery charging control circuit reduces heat, increases efficiency and reliability, and is immune to vibration and shock. High water temperature/low oil pressure shut down.

**Weight:** 233 lbs.

**Standard Equipment:** Integral drip-pan base with vibration isolators and drain plug; closed circuit cooling system with heat exchanger, fresh and raw water pumps mounted; full flow lube oil filter, sump pump and hose; fire shielded flexible hose connections for fuel supply and return, secondary fuel oil filter, fuel lift pump with hand primer; electric start and fuel shut off; high water temperature/low oil pressure shut down; battery charge circuit with charge indicator light; 1" IPS threaded exhaust flange; illustrated parts list and instruction manual.

**Optional Equipment:** Remote start; shore transfer switch; high capacity primary fuel filter; water injected exhaust elbow; Hydro-hush stainless steel water lift muffler; sea water strainer; on-board spare parts kit.

## WESTERBEKE WPD-4 Features

The **WESTERBEKE WPD-4** is an excellent generator set for medium sized diesel-powered yachts with moderate electrical requirements. It is small, light, smooth running, safe, dependable and economical to operate.

It has a newly designed revolving field alternator which provides longer brush life, improved voltage regulation and excellent motor starting capability. Fresh water cooling gives you longer engine life. The automatic safety shutoffs further safeguard the engine. The electric start and fuel shutoff feature permits you to operate the generator remotely.

The **WESTERBEKE WPD-4** is a well balanced unit, well mounted, with vibration isolators. When installed in accordance with our recommendations, with adequate insulation and muffler, it will make a welcome shipmate in the quietest anchorages.

*Westerbeke engines and generator sets are sold and serviced by Westerbeke distributors in major port cities throughout the United States.*



# J. H. WESTERBEKE CORP.

AVON INDUSTRIAL PARK, AVON, MASS. 02322 • (617) 588-7700

CABLE: WESTCORP, AVON • TELEX: 92-4444