



Yacht TAE-FOY by Burger

Brushless construction makes use of non-moving electronic circuits to regulate voltage output so that sudden severe load changes neither overpower nor starve sensitive electronic equipment.

Our dependable generator sets have been installed in many of the world's finest yachts, providing shore-power luxury and convenience anywhere on the water. Important reasons for their selection include: light weight, compact size, quick unfailing starts, smooth quiet operation, superior design, quality components, and excellent performance records. These performance records have been helped by the accessibility and ease of servicing the sets. Westerbeke generator sets will add pleasure and dependability to any diesel powered vessel.

WESTERBEKE BR SERIES

30 and 45 kw marine diesel brushless GENERATOR SETS

FEATURES

Brushless Construction

Greatly improved electronic voltage regulation. No moving parts or multiple contact points. Easy to service, no delicate adjusting necessary.

Precision Governor

Good frequency regulation — electronic devices function better.

Quiet, Smooth-running

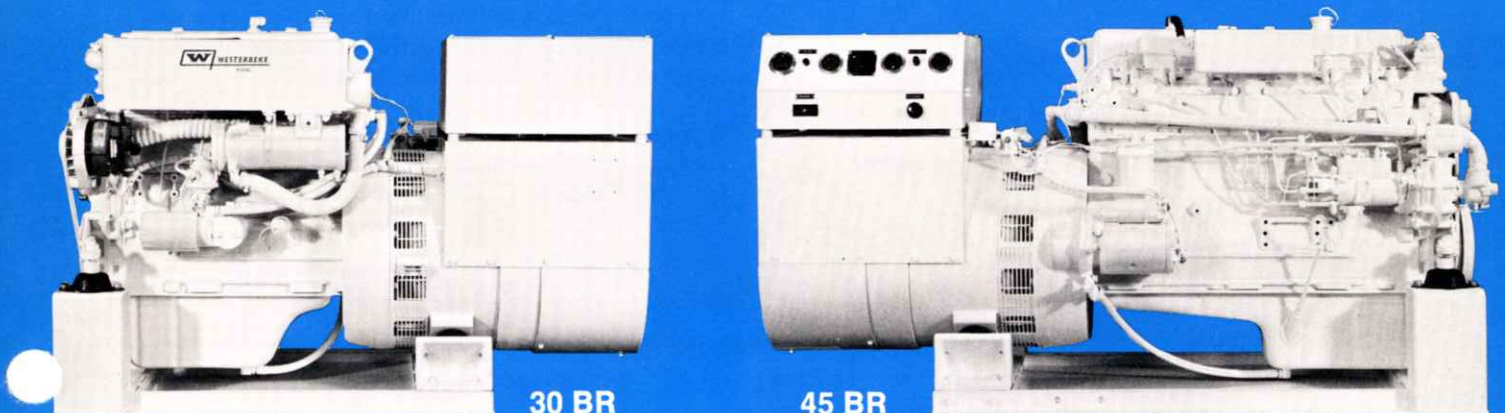
Low decibel engine-generator assemblies are vibration isolated on flexible rubber mounts.

Instant Starting

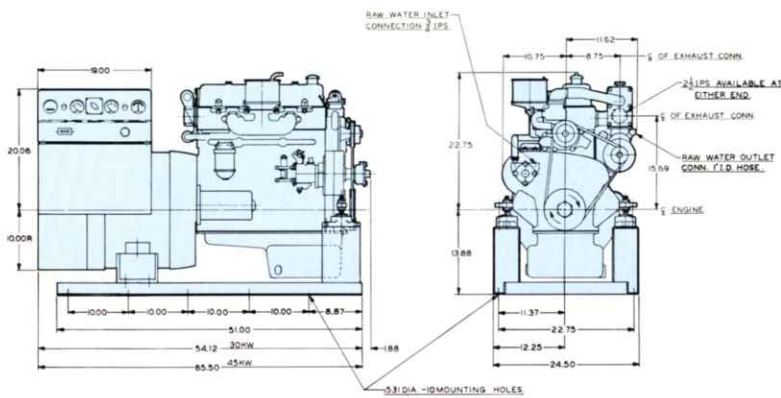
High cranking speed makes cold weather starting easy.

Lightweight, Compact

Clever engineering saves inches, yet preserves accessibility.



**Enjoy the Convenience of Electric Living: Heat and Air Conditioning,
Cooking and Refrigeration, Stereo and Television, Navigation and Communication.**



| | | |
|---|-----------|-----------|
| Rated Output | 30kw | 45kw |
| Length Overall | 56.00" | 67.38" |
| Weight | 1550 lbs. | 1965 lbs. |
| Rated Output as Percent of Engine Power | 79% | 78% |

WESTERBEKE BR Series 30 and 45 kw brushless marine diesel generator sets

ENGINE

Type: Diesel, 4 cylinder in line, 4 cycle. (45kw 6 cylinder)

Displacement: 230.2 cu. in. Bore 3.86 inches or 98mm Stroke 4.92 inches or 125mm (45kw, 345.3 cu. in.)

Compression: 16.5:1

Power: 59 hp at 1800 rpm (45kw 90 hp at 1800 rpm)

Starting: 12 volt positive engaging heavy duty starting motor.

Fuel System: Distributor type fuel pump with solenoid operated fuel valve. Fuel lift pump with hand primer, primary and secondary fuel filters.

Cooling System: Fresh water, with pumps and heat exchanger mounted. Fresh water cooled exhaust manifold and surge tank combination.

Mounting: Engine-generator assembly rubber mounted on integral drip pan to minimize vibration.

Fuel Consumption: 0.1 gallon per kilowatt-hour.

Control: Control panel engine-mounted with remote start-stop provision.

ALTERNATOR

Output: 30kw or 45kw as rated, for continuous operation.

Voltage: 120/240 volt $\pm 1\%$ for steady loads; $\pm 3\%$ for 100% load changes.

Frequency: 60 cycles governed to within $\pm 1\frac{1}{2}$ cycles, no load to full load. 50 cycles available at reduced rating.

Phase: Single, unity power factor. (Three phase, .8 power factor available)

Current Options: 120 or 120/240 volt. (A simple reconnection makes the change.)

Mounting: Bolted directly to back of engine. Entire assembly is rubber mounted.

CONTROLS

Starter Control: Dependable rotary start-stop switch on the set or at remote stations.

Instrumentation: Water temperature, oil pressure, battery charge ammeter.

Safety devices: High temperature shut off, low pressure shut off.

STANDARD EQUIPMENT

Engine-generator assembly rubber-mounted on drip pan base, raw and fresh water pumps, heat exchanger engine mounted, surge tank included in fresh water cooled exhaust manifold: choice of exhaust connections; air intake silencer; lube oil pump, spin-on full flow lube oil filter, sump pump and hose; flexible fuel inlet and return hoses, primary and secondary fuel filters, fuel lift pump, fuel solenoid, precision governor; 12 volt starting motor; completely prewired engine control system including starter, ammeter, temperature and pressure instrumentation and safety shutoffs; brushless construction; completely detailed instruction book.

OPTIONAL EQUIPMENT

Remote start station panels; deluxe instrument panel including volt-meter, ammeter and selector switch; special drip pan-base with Navy mounts for complete vibration isolation.

WESTERBEKE DEPENDABILITY

Westerbeke BR Series generator sets give you dependable power afloat — power for onshore conveniences as well as off-shore necessities. Their excellent performance is witnessed by their frequent use on the finest yachts and on ocean research vessels.

Westerbeke generator sets have been selected to provide power to aids to navigation and to polar bases where dependability, fuel economy, and performance under extreme conditions are essential.

Westerbeke diesel generators are sold and serviced by Westerbeke's distributors in major port cities throughout the United States.



J. H. WESTERBEKE CORP.

AVON INDUSTRIAL PARK, AVON, MASS. 02322 • (617) 588-7700

CABLE: WESTCORP. AVON • TELEX: 92-4444