

WESTERBEKE FOUR-60

15 hp Mini-Diesel Engine

MINI-DIESEL is the smallest four-cylinder water cooled diesel in the world. Its compact dimensions fit into many small sail boats around 30 feet, providing diesel safety and reliability. In many cases it can replace the smallest four-cylinder gasoline engines.

MINI-DIESEL with four cylinders provides smoothness not found in one or two-cylinder engines. Its fresh water cooling system increases engine life by protecting the block and exhaust manifold from salt water corrosion.

MINI-DIESEL is well engineered for tight quarters on small boats. Service points are generally located for easy access in both conventional and cabin-sole locations. Electrics are mounted high on the block away from bilge slop.

MINI-DIESEL is unique. No other engine of its size combines its qualities of smoothness, quietness, safety and reliability. With proper maintenance, it will give many years of satisfactory service.



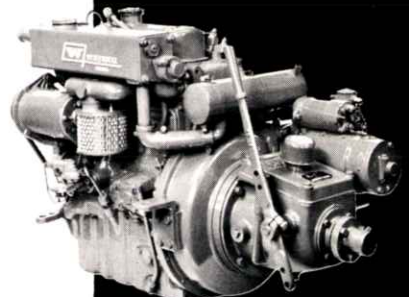
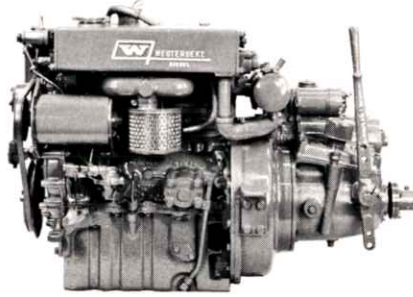
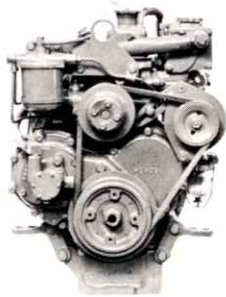
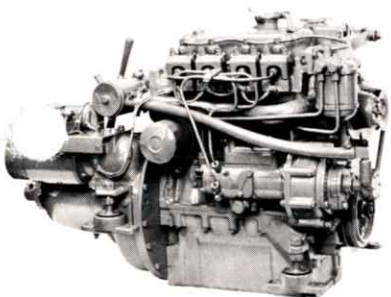
SOOGIE MOOGIE, Cal 37 with Westerbeke FOUR-60 MINI-DIESEL — Barlow Photo

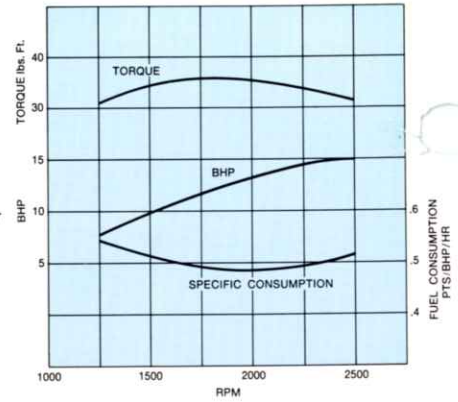
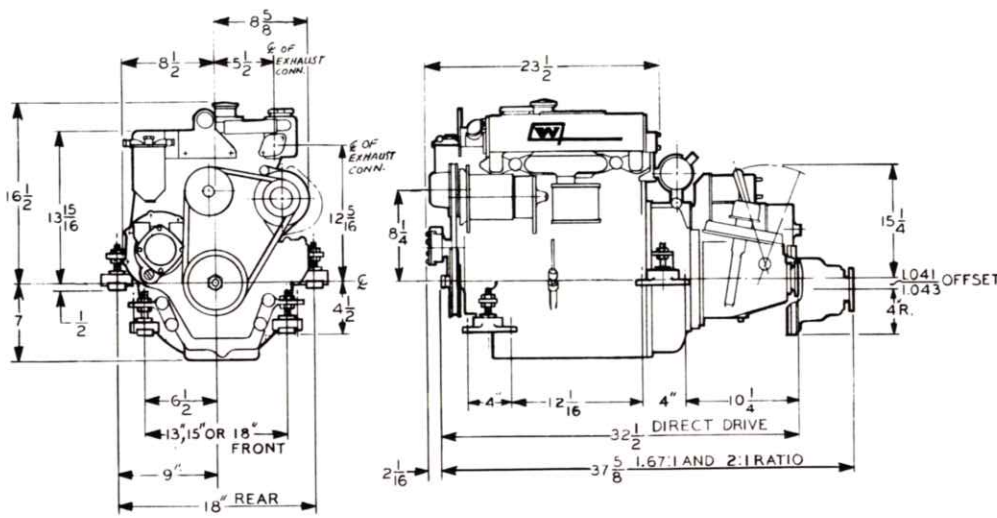
NOW...

**A Smooth Diesel
for Small Boats
such as* . . .**

Alberg 30
ARPEGE, SCAMPI and
other Half-ton boats
Bristol 29, 30, 32, 34
C & C 30, 35
Cal 28, 29, 2-30, 34, 37
Challenger 32
Columbia 28, 34
Contest 30, 33
Coronado 30
Corvette 31
Douglas 32
Ericson 29, 32
Grampian 30
Irwin 32
Islander 29, 30, 34
Kenner SKIPJACK
Luders 30
Luders 33
MISTRAL
Morgan 28, 30, 33
Newport 30
Northwind 29
Offshore 31
Ohlson 35, 38
PT 30
Paceship 29,
ACADIAN, 32
Pearson
WANDERER, 30, 33
Ranger 33
Rawson 30
Redwing 30
Sabre 28
Seafarer 28, 30, 31
Seawind 30
Soverel 28, 30, 33
Tartan 30, 34
Yankee 30
And many others

*Check dimensions before ordering. Order for your new boat or when you repower your old boat.





Westerbeke Specifications

- Type:** 4-cylinder 4-cycle vertical in-line diesel.
- Displacement:** 58 cu. in.; bore 2.478"; stroke 3.500".
- Power:** 15 hp @ 2500 rpm (See power curve).
- Compression Ratio:** 22.5:1.
- Weight:** 430 lbs. basic engine. See gear weights below for IOR weight.
- Fuel Injection System:** CAV distributor type injection pump with mechanical governor.
- Cylinder Block and Head:** High quality iron castings, mono block.
- Crankshaft:** Forged steel.
- Connecting Rods:** Forged steel.
- Pistons:** Aluminum.
- Bearings:** Tri metal, heavy duty.
- Lubrication:** Camshaft driven eccentric pump.
- Exhaust Manifold:** Fresh water cooled with exhaust outlet at either end.
- Cooling System:** Fresh and raw water pumps, through heat exchanger.
- Angle of Installation:** 17° maximum.
- Electrical System:** 12-volt 14-amp generator, negative ground.
- Reverse and Reduction Gears:** Paragon manual type SAO — direct drive (55 lbs.), 2:1 reduction (80 lbs.). Type SAOV Vee drive — 1:1, 1.67:1 and 2:1 reduction (95 lbs.).
- Mounting:** Flexible mounts — 13", 15" or 18" front; 18" rear.
- Standard Equipment:** Fresh water cooling, complete with pumps and heat exchanger mounted; 14-amp generator; flexible mounts; propeller shaft coupling; secondary fuel filter; full flow lube oil filter with spin-on element; fuel lift pump and hand primer; electric cold weather starting aid; flexible hose connections for fuel supply and return; sump pump and hose; threaded exhaust flange, 1 1/4" I.P.S.; key switch panel.

Features and Accessories

The Westerbeke MINI-DIESEL is an excellent engine for powering auxiliary sailboats from 28 to 35 feet. These boats have just as much need for diesel safety as larger yachts. And they have just as much right to smoothness and quietness as bigger boats. If an engine is dependable, safe and quiet, we should expect it to last a long time. For this reason, MINI-DIESEL has a closed fresh water cooling system which prevents sea water corrosion of the engine and exhaust manifold. And, to make it properly useful, we include as standard equipment many items for which other manufacturers charge extra. However, here are a few of our optional extras . . .

Standard Rectangular Instrument Panel has mechanical tachometer with engine hour register, electric oil pressure and water temperature gauges and ammeter. All instruments are individually replaceable.

High Capacity Fuel Filter is highly recommended for use in addition to the secondary fuel filter furnished with every engine. It has a replaceable element, high capacity sump for water and a convenient draincock.

55 Amp Alternator provides the extra battery-charging power needed for such modern conveniences as refrigeration, water pressure systems, navigation aids and communication systems.

All-Electric Instrument Panel has an electronic tachometer with built-in hour meter, eliminating the tachometer cable and making installation easier. It has individually lighted and replaceable electric oil pressure and water temperature gauges and ammeter. It must be used with the 55 amp alternator.

Many yachtsmen feel they can't afford a diesel, but with a Westerbeke, this is not true. By the time you add fresh water cooling, rubber mounts and other options that are standard on Westerbeke engines to a gasoline engine, the difference is not too great. And diesel fuel is inexpensive — a season's fuel bill might only run \$20.00.

But the real reason for a Westerbeke diesel lies in its safety and dependability. Who can put a price on these qualities offshore? Certainly many insurance companies offer lower premiums for diesel, and greater dependability means a saving in fewer service calls. Here is an engine that could last as long as your boat. (No

repowering costs.)

Finally, when the time comes to sell your boat, a Westerbeke diesel is a major sales feature — just look at the brokerage ads. The best always costs more, at first. But with a Westerbeke, you'll have more in the end. Looking at it this way, can you afford not to have a Westerbeke diesel?

Westerbeke engines are sold and serviced by Westerbeke distributors in major port cities in the United States.



(617) 588-7700

J. H. WESTERBEKE CORP.

LEDIN DRIVE, AVON INDUSTRIAL PARK, AVON, MASS. 02322

CABLE: WESTCORP, AVON TELEX: 92-4444