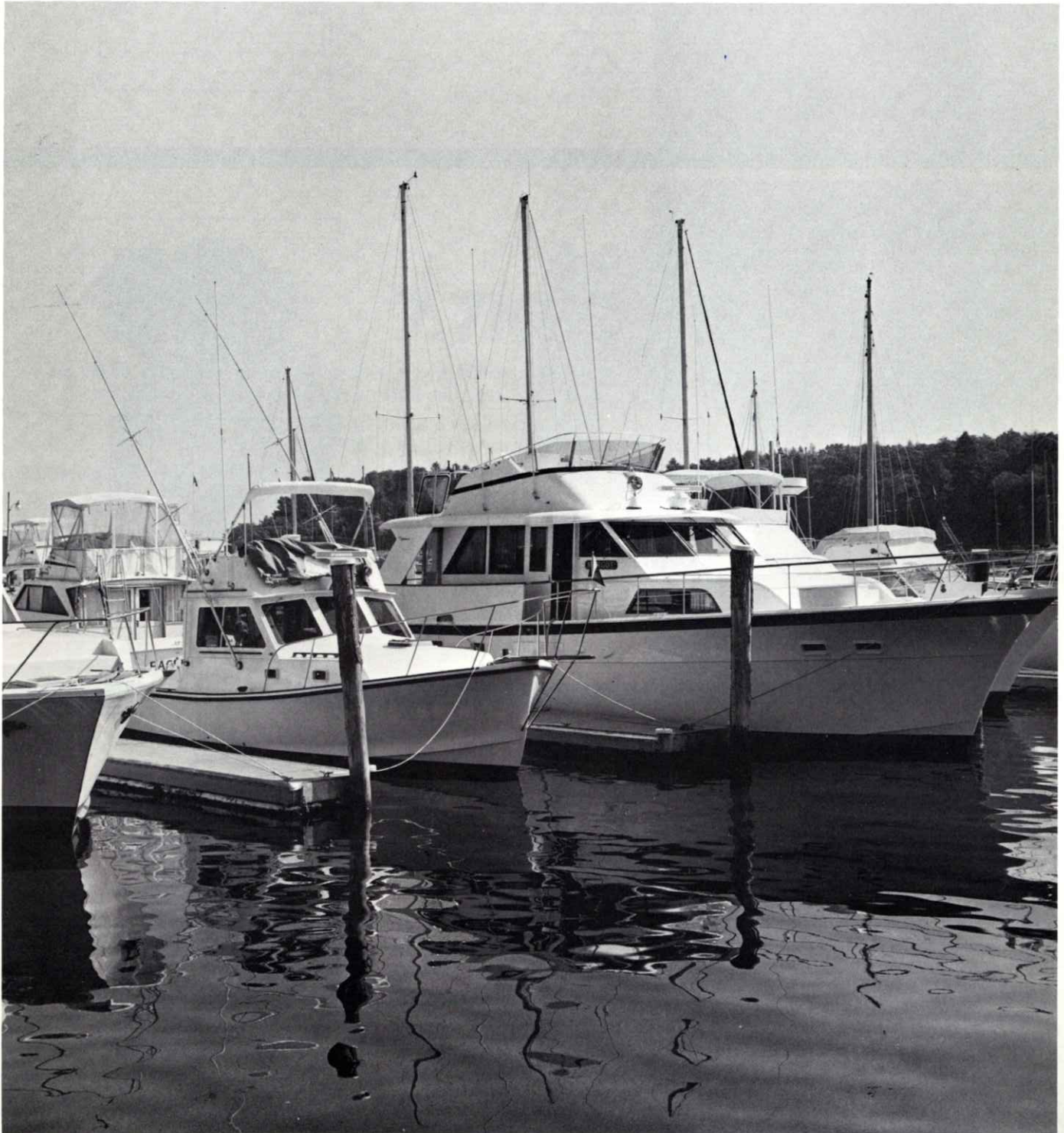
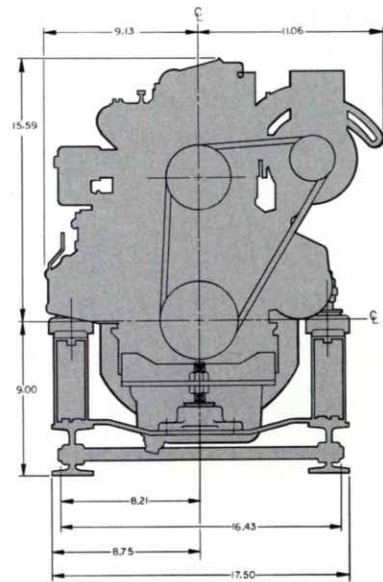
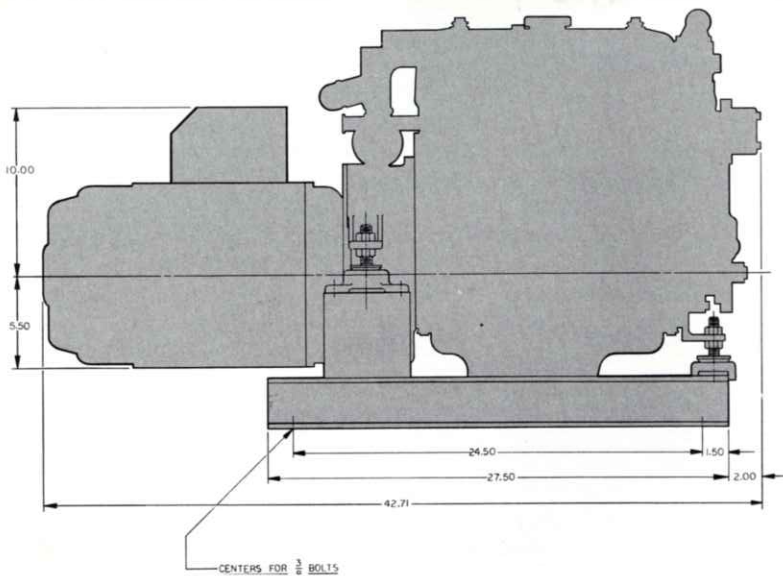
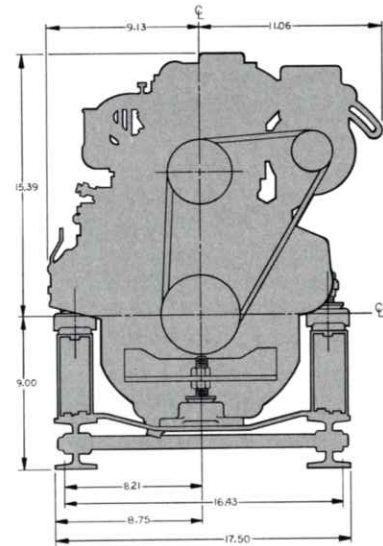
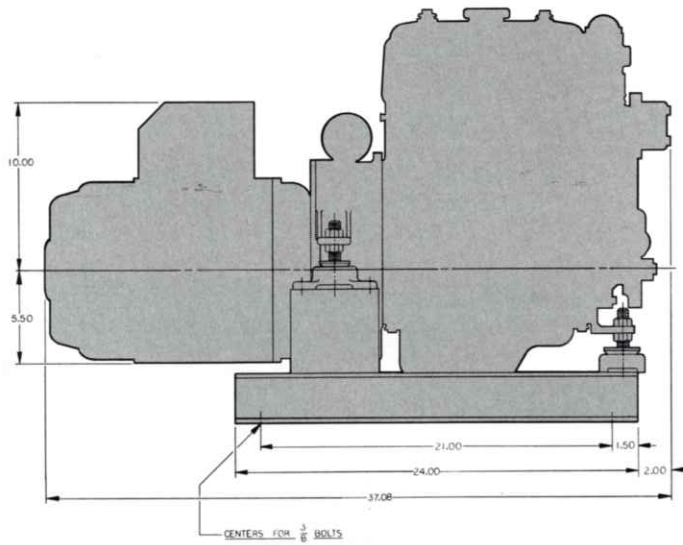
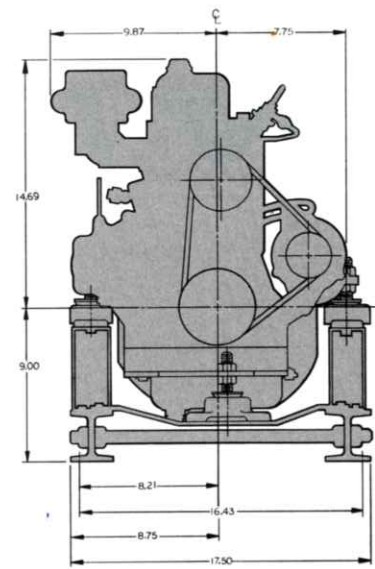
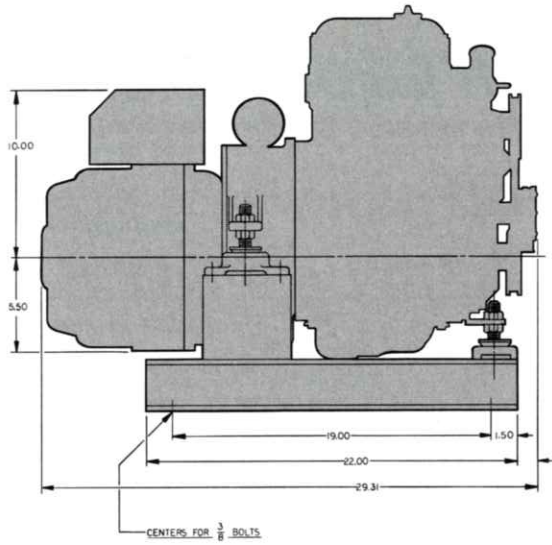




**J. H. WESTERBEKE CORP.**

**Small diesel generator sets  
4.4KW 7.7KW 11.1KW**

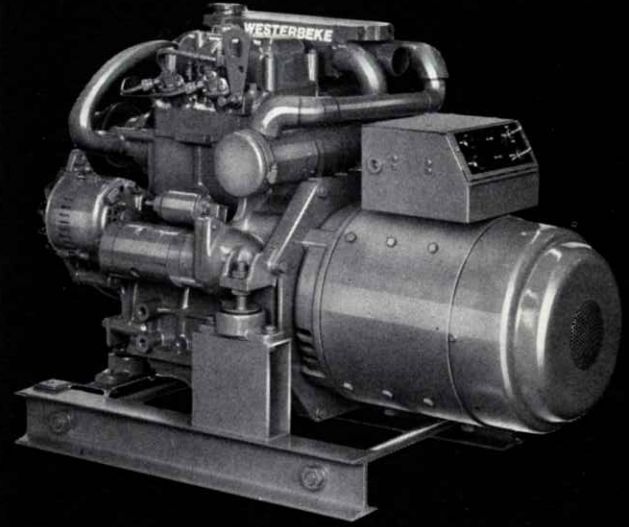




The 4.4KW, 7.7KW and 11.1KW generator sets are a family of smooth running diesel powerplants which have been standardized to provide quality at a lower cost. This also means excellent parts availability and better service to our customers. Why rough it when WESTERBEKE offers you an affordable line of marine diesel generators.

## 4.4KW

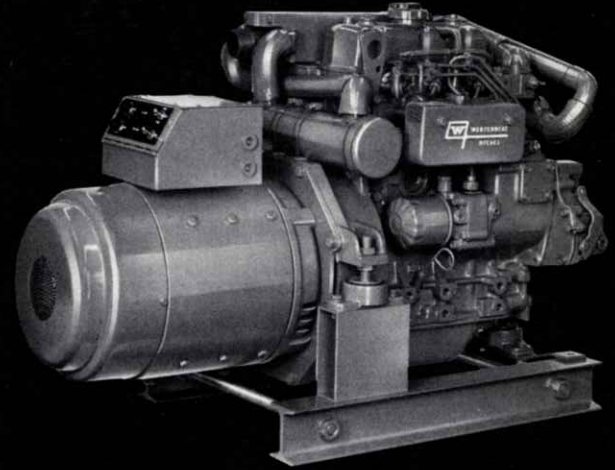
Designed to operate at a quiet 1800 RPM, the WESTERBEKE 4.4KW offers 2 cylinder smoothness to provide electrical conveniences usually found only on larger boats. This powerplant features fresh water cooling, electric fuel pump for dependability, push-button priming and 12V 50 amp alternator. The rubber mounted generator is self-contained with safety devices.



## 7.7KW

The WESTERBEKE 7.7KW generator is powered by our new 3 cylinder engine for extreme smoothness at 1800 RPM. 7.7KW output gives you the ability to make a well-equipped boat a genuine home afloat.

Standard features include fresh water cooling, 12V 50 amp alternator, electric fuel pump for push button priming and reliability and safety shut-off for high temperature or low oil pressure. The entire unit is rubber mounted on a drip tray for clean, trouble-free operation.

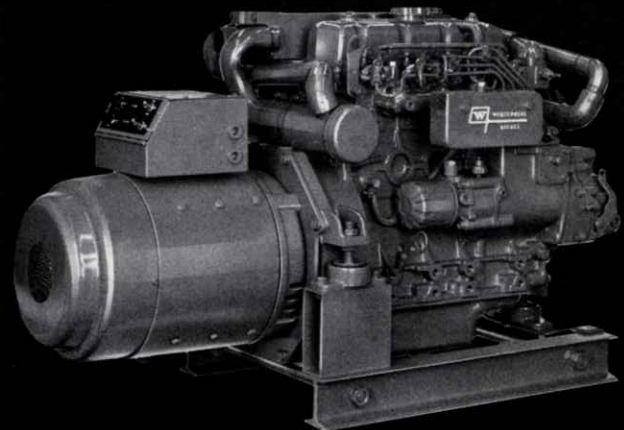


## 11.1KW

Operating at 1800 RPM, this generator is driven by 4 cylinders to insure smooth operation, providing ample electrical power to supply your on-board requirements.

The standard equipment list includes safety devices, primary fuel filter, 12V 50 amp alternator, fresh water cooling, electric fuel pump with push button priming for dependability and much more.

WESTERBEKE generators offer added convenience and dependability in any diesel powered vessel.



## SUPERIOR QUALITY AT AN EXCEPTIONAL PRICE

STANDARD SPECIFICATIONS	4.4KW	7.7KW	11.1KW
No. of cylinders	2	3	4
Rating @ 1800 RPM	4.4KW	7.7KW	11.1KW
Displacement Cu. In.	37	60	80
Single Phase 115/230 Volt 3 Wire	Standard	Standard	Standard
Weight	395 lbs.	584 lbs.	667 lbs.
Safety Shut-off for high temp. or low Oil Pressure	Standard	Standard	Standard
Primary Fuel Filter	Standard	Standard	Standard
Alternator	12V 50 amp	12V 50 amp	12V 50 amp
Fresh Water Cooling	Standard	Standard	Standard
Electric Fuel Pump	Standard	Standard	Standard
Operator Manual	Standard	Standard	Standard

- **Exceptional smoothness** — more cylinders per engine, high inertia flywheel, vibration isolating mounts.
- **Exceptional quietness** — custom designed, tuned intake silencer eliminates intake air noise; modern combustion chamber design eliminates diesel clatter.
- **No fuel system bleeding required** — Bosch-type fuel injection system and electric fuel pump, combined with Westerbeke's self-bleeding device eliminates engine bleeding.
- **Very light weight** — aluminum water-cooled exhaust manifold and flywheel housing.
- **Ease of maintenance** — removable end caps on heat exchanger for easy clean out, convenient oil drain system needs no hand pump, all wiring is tinned for corrosion resistance and led to a single 8-pin connector; heavy duty zinc anodes for heat exchanger.
- **Quality construction** — fresh water cooling with thermostatic controls, 50 amp alternator with radio shielding, metallic water piping wherever possible for endurance, cog-type alternator belts eliminate slippage, glow plug cold weather starting aid, oversized 3" diameter heat exchanger, shut-off function built into throttle control, rugged 2-bearing self-regulating design.
- **Excellent parts availability** — commonized parts on Westerbeke engines and generators means better service from an expanding network of stocking distributors and dealers.
- **Attractive accessories** — recessed 5-function, all electric instrument panel including TACHOMETER and HOURMETER, front exhaust capability for V-drives, accessory pulleys, coolant recovery tank for ease of monitoring and measuring coolant level, exhaust elbow, sea strainer, hydro-hush muffler, alternator output splitter, remote generator control panel, ship-to-shore switch, stainless steel flexible exhaust line.

Although all descriptions and pictorial representations of the products herein are believed to be correct at the time of publication, accuracy cannot be guaranteed. The policy of J. H. Westerbeke Corporation, is one of continued improvement. Therefore, equipment, colors, materials and other specifications, model availability and prices are subject to change without notice or obligation.



## J. H. WESTERBEKE CORP.

Avon Industrial Park, Avon, MA 02322, (617) 588-7700  
Cable: Westcorp, Avon, Telex: 92-4444