

# **PARTS LIST**

## **MARINE GASOLINE**

### **GENERATORS**

<b>8.0 BEG-60 Hz</b>	<b>6.4 BEG-50 Hz</b>
<b>10.0 BEG-60 Hz</b>	<b>8.0 BEG-50 Hz</b>
<b>12.5 BEG-60 Hz</b>	<b>10.0 BEG-50 Hz</b>
<b>15.0 BEG-60 Hz</b>	<b>12.0 BEG-50 Hz</b>

PUBLICATION NO. NA  
Preliminary Copy Do Not Distribute  
June 2007



**WESTERBEKE CORPORATION**  
**150 JOHN HANCOCK ROAD**  
**TAUNTON, MA 02780-7319 U.S.A.**  
**[WWW.WESTERBEKE.COM](http://WWW.WESTERBEKE.COM)**

## IMPORTANT

### Product Software Disclaimer

Product software of all kinds, such as brochures, drawing, technical data, operator's and workshop manuals, parts lists and parts price lists, and other information, instructions and specifications provided from sources other than Westerbeke, is not within Westerbeke's control and; accordingly, is provided to Westerbeke customers only as a courtesy and service. Westerbeke cannot be responsible for the content of such software, makes no warranties or representations with respect thereto, including the accuracy, timeliness or completeness thereof, and will in no event be liable for any type of damages or injury incurred in connection with, or arising out of, the furnishing or use of such software.

For example, components and subassemblies incorporated in Westerbeke's products and supplied by others (such as engine blocks, fuel systems and components, transmissions, electrical components, pumps and other products) are generally supported by their manufacturers with their own software, and Westerbeke must depend on such software for the design of Westerbeke's own product software. Such software may be outdated and no longer accurate. Routine changes made by Westerbeke's suppliers, of which Westerbeke rarely has notice in advance, are frequently not reflected in the supplier's software until after such changes take place.

Westerbeke customers should also keep in mind the time span between printings of Westerbeke product software and the unavoidable existence of earlier, non-current, Westerbeke software editions in the field. Additionally, most Westerbeke products include customer-requested special features that frequently do not include complete documentation.

In summation, product software provided with Westerbeke products, whether from Westerbeke or other suppliers, must not and cannot be relied upon exclusively as the definitive authority on the respective product. It not only makes good sense but is imperative that appropriate representatives of Westerbeke or the supplier in question be consulted to determine the accuracy and currency of the product software being consulted by the customer.

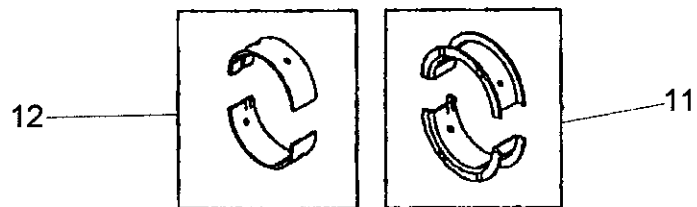
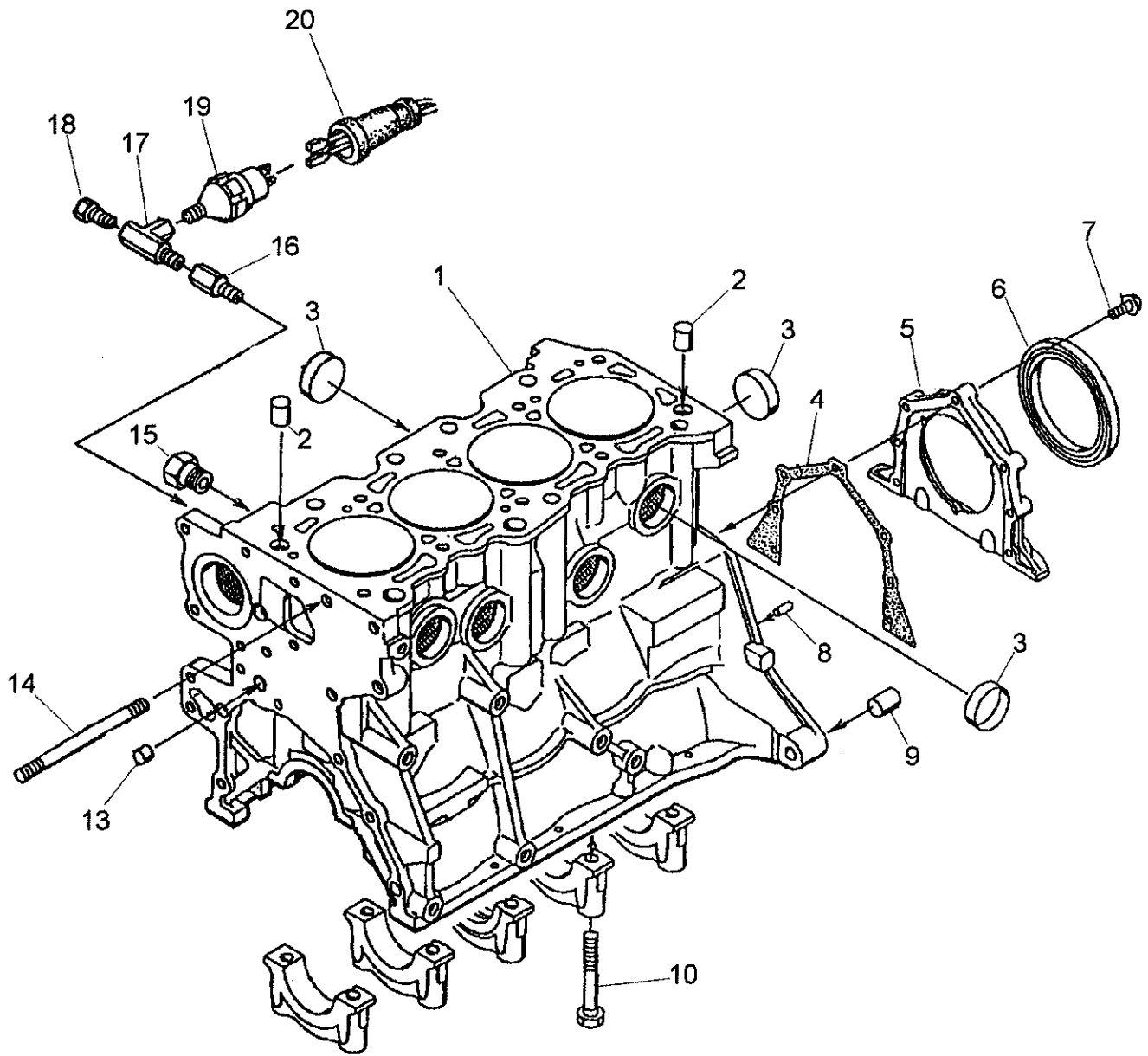
# Table of Contents

## WESTERBEKE 8.0 - 15.0 BEG MARINE GASOLINE GENERATORS

Model	Model Type	KW	Fuel	Frequency
8.0 BEG	Generator		Gas	60 Hz
10.0 BEG	Generator		Gas	60 Hz
12.5 BEG	Generator		Gas	60 Hz
15.0 BEG	Generator		Gas	60 Hz
8.4 BEG-50	Generator		Gas	50 Hz
8.0 BEG-50	Generator		Gas	50 Hz
10.0 BEG-50	Generator		Gas	50 Hz
12.0 BEG-50	Generator		Gas	50 Hz

Page	Description
2	CYLINDER BLOCK & BEARING SETS - 8.0 - 15.0 BEG
4	CYLINDER HEAD & ROCKER COVER - 8.0 - 15.0 BEG
6	OIL PUMP ASSEMBLY & OIL FILTER - 8.0 - 15.0 BEG
8	DIPSTICK & OIL SUMP - 8.0 - 15.0 BEG
10	REMOTE LUBE OIL FILTER ASSEMBLY - 8.0 - 15.0 BEG
12	ROCKERS, CAMSHAFT & VALVES - 8.0 - 15.0 BEG
14	PISTON & CRANKSHAFT - 8.0 - 15.0 BEG
16	TIMING BELT & COVERS - 8.0 - 15.0 BEG
18	EXHAUST MANIFOLD & WET EXHAUST ELBOW - 8.0 - 15.0 BEG
20	HEAT EXCHANGER - 8.0 - 15.0 BEG
22	FRESH & SEA WATER PUMP - 8.0 - 15.0 BEG
24	SEA WATER PUMP - 8.0 - 15.0 BEG
26	CARBURETOR, INTAKE MANIFOLD & THERMOSTAT - 8.0 - 15.0 BEG
28	CARBURETOR ASSEMBLY - 8.0 - 15.0 BEG
30	GASDENSER, FUEL PUMP & FILTERS - 8.0 - 15.0 BEG
32	ALTERNATOR MOUNT - 8.0 - 15.0 BEG
34	DISTRIBUTOR ASSEMBLY - 8.0 - 15.0 BEG
36	SPARK PLUGS & WIRES - 8.0 - 15.0 BEG
38	GENERATOR CONTROL PANEL - 8.0 - 15.0 BEG
40	GOVERNOR, PULLEYS, BELTS & BELT GUARD - 8.0 - 15.0 BEG
42	GENERATOR BACK END - 8.0 - 15.0 BEG
44	GENERATOR BACK END - 8.0 - 15.0 BEG
46	MOUNT & RAIL ASSEMBLIES - 8.0 - 15.0 BEG
48	MISCELLANEOUS - 8.0 - 15.0 BEG

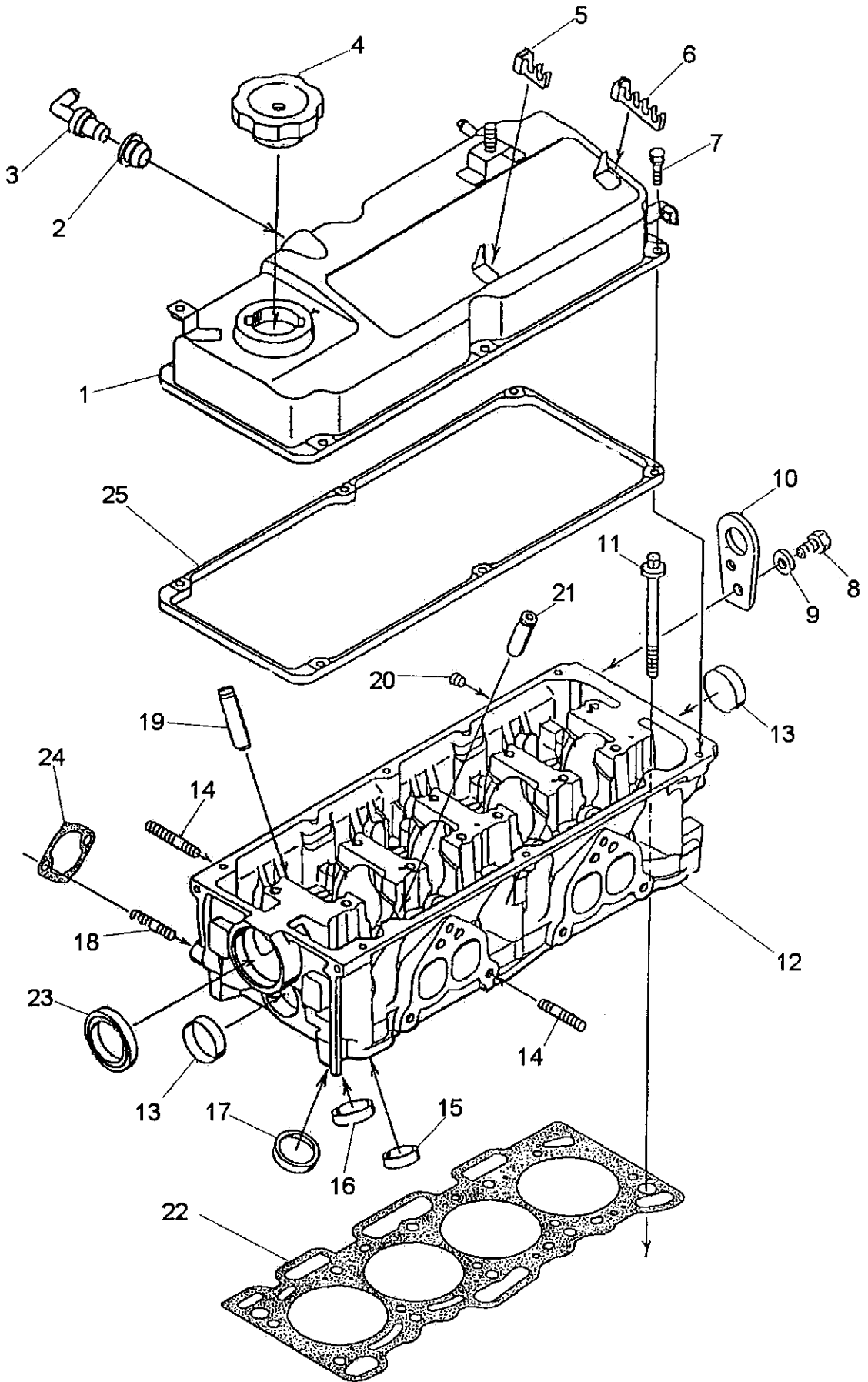
# CYLINDER BLOCK & BEARING SETS - 8.0 - 15.0 BEG



## CYLINDER BLOCK & BEARING SETS - 8.0 - 15.0 BEG

Reference #	Part #	Part Name	Remarks	Quantity
1	043375	ENGINE	BLOCK ASSEMBLY - 8.0 - 15.0 BEG	1
2	043070	DOWEL	TUBULAR 10 X 16	2
3	024349	PLUG	EXPANSION 35MM DIN 443	8
4	046611	GASKET	OIL SEAL FLANGE	1
5	048378	FLANGE	OIL SEAL REAR CRANK	1
6	046612	SEAL	OIL CRANKSHAFT REAR	1
7	033670	CAPSCREW	M 6 X 20 JIS-FLANGE	5
8	041417	DOWEL	6MM X 14MM DIN 6325	2
9	048382	DOWEL	TUBULAR	2
10	048376	BOLT	MAIN BEARING CAP	10
11-1	048439	BEARING	MAIN CENTER - BROWN	1
11-2	048440	BEARING	MAIN CENTER - COLORLESS	1
11-3	048441	BEARING	MAIN CENTER - BLUE	1
11-4	048442	BEARING	MAIN CENTER - YELLOW	1
11-5	048468	BEARING	MAIN CENTER - GREEN	1
12-1	048431	BEARING	MAIN - BROWN	4
12-2	048432	BEARING	MAIN - COLORLESS	4
12-3	048433	BEARING	MAIN - BLUE	4
12-4	048434	BEARING	MAIN - YELLOW	4
12-5	048435	BEARING	MAIN - GREEN	4
13	030706	DOWEL	TUBULAR	2
14	048419	STUD	M10 X 110	1
15	045395	PLUG	1/4 BSPT HEX HEAD	1
16	024844	ADAPTER	1/8 BSPT TO 1/8 NPT	1
17	035145	TEE	1/8 NPT STREET STEEL	1
18	019369	PLUG	1/8NPT HEX HEAD BRASS	1
19	037323	SWITCH	OIL PRESSURE	1
20	035755	BOOT	OIL PRESSURE SWITCH	1

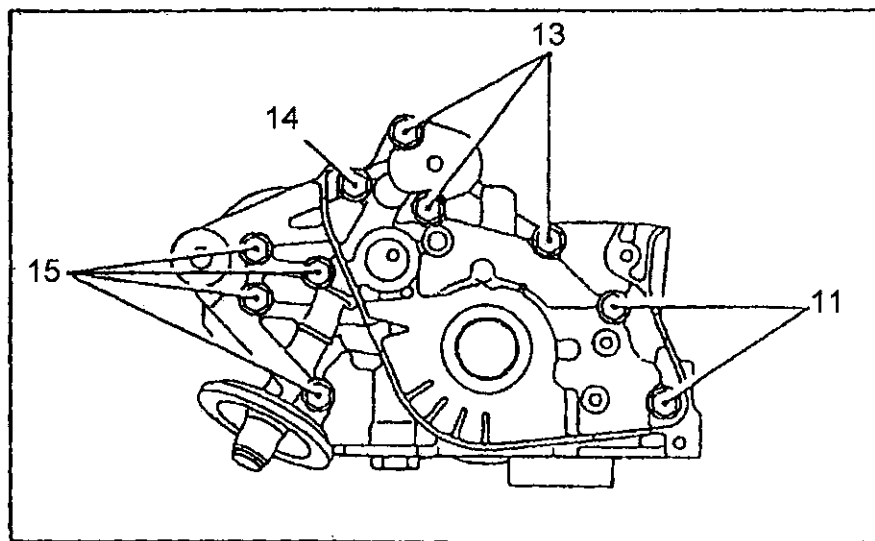
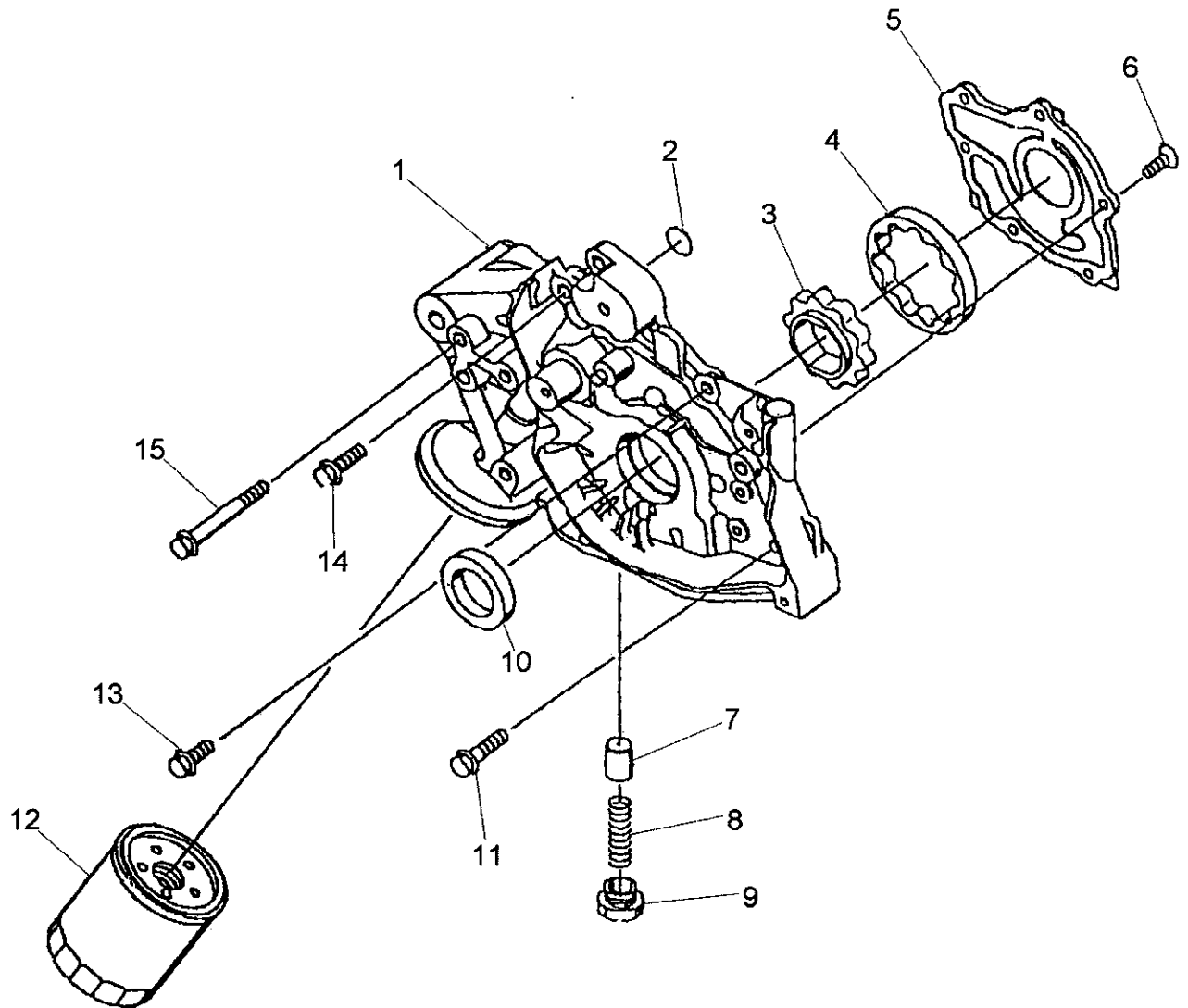
CYLINDER HEAD & ROCKER COVER - 8.0 - 15.0 BEG



## CYLINDER HEAD & ROCKER COVER - 8.0 - 15.0 BEG

Reference #	Part #	Part Name	Remarks	Quantity
1	048452	COVER	ROCKER	1
2	046597	GASKET	PCV VALVE	1
3	046495	VALVE	PCV	1
4	048377	CAP	OIL	1
5	042998	CLAMP	SPARKPLUG WIRES	1
6	048384	CLAMP	SPARKPLUG WIRES	1
8	017196	CAPSCREW	M8 X 20 DIN 933	1
9	031786	LOCKWASHER	M8 DIN 127	1
10	040611	EYE	LIFTING	1
11	048415	BOLT	CYLINDER HEAD	10
12	048456	HEAD	CYLINDER - GENSET INCL. REF #'S 13 - 21	1
13	024349	PLUG	EXPANSION 35MM DIN 443	2
14	015830	STUD	M8 X 25 DIN 939	5
15-1	048403	SEAT	VALVE INTAKE 0.30	4
15-2	048404	SEAT	VALVE INTAKE 0.60	4
16-1	048405	SEAT	VALVE INTAKE 0.30	4
16-2	048406	SEAT	VALVE INTAKE 0.60	4
17-1	048398	SEAT	VALVE EXHAUST 0.30	4
17-2	048399	SEAT	VALVE EXHAUST 0.60	4
18	048466	STUD	M 8 X 16	2
19-1	048448	GUIDE	VALVE EXHAUST 0.05	4
19-2	048449	GUIDE	VALVE EXHAUST 0.25	4
19-3	048450	GUIDE	VALVE EXHAUST 0.50	4
20	030711	PLUG	1/8 BSPT SOCKET HEAD	1
21-1	048453	GUIDE	VALVE INTAKE 0.05	4
21-2	048454	GUIDE	VALVE INTAKE 0.25	4
21-3	048455	GUIDE	VALVE INTAKE 0.25	4
22	046600	GASKET	HEAD	1
23	046599	SEAL	OIL CAMSHAFT	1
24	046598	GASKET	LIFT PUMP COVER	1
25	046595	GASKET	ROCKER COVER	1

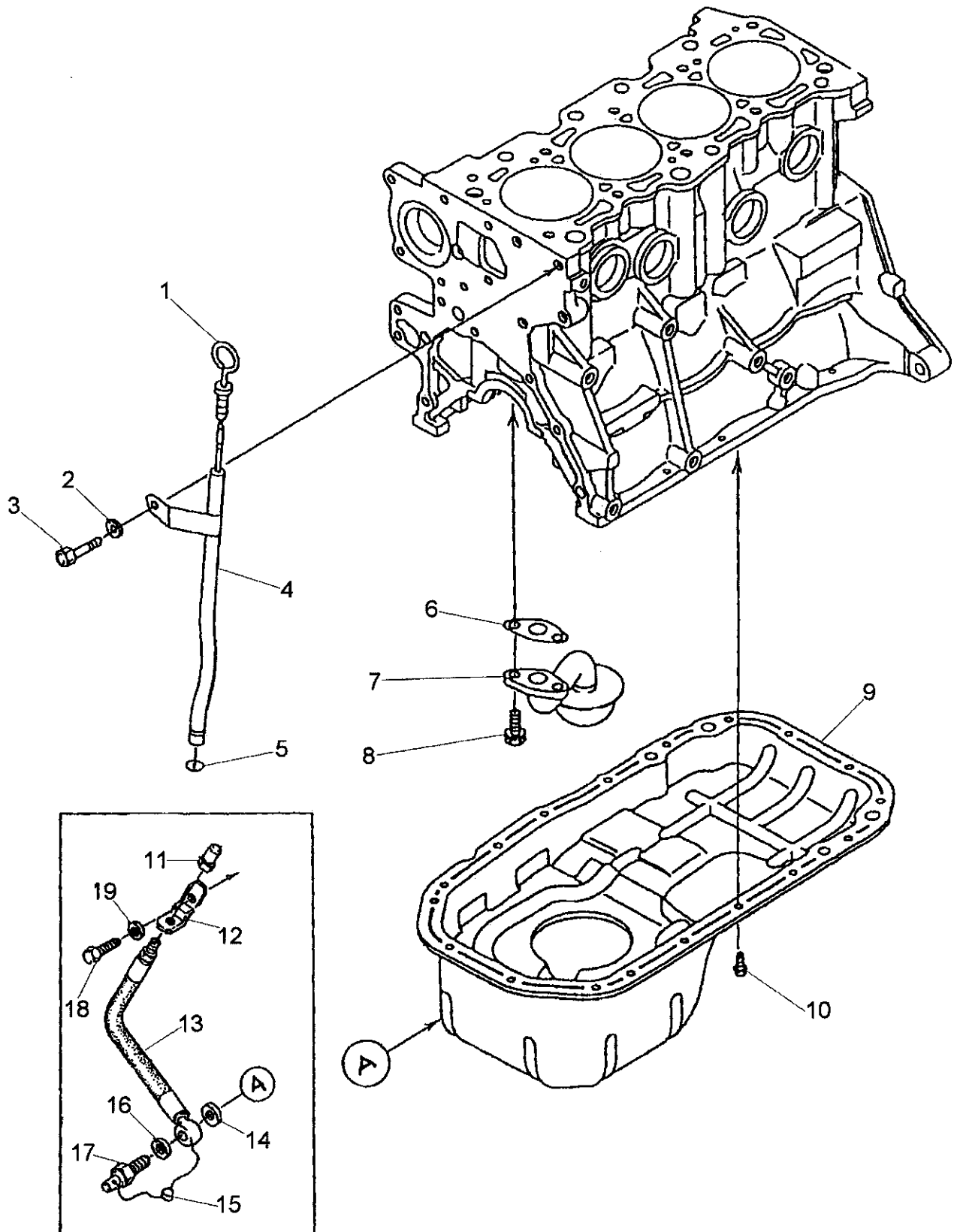
OIL PUMP ASSEMBLY & OIL FILTER - 8.0 - 15.0 BEG



## OIL PUMP ASSEMBLY & OIL FILTER - 8.0 - 15.0 BEG

Reference #	Part #	Part Name	Remarks	Quantity
1-1	048430	PUMP	OIL INCL. REF #S 2 - 10 TO MARCH 2003	1
1-2	048538	PUMP	OIL INCL. REF #S 2 - 10 FROM MARCH 2003	1
2	046616	O-RING	OIL PUMP	1
3-1	048389	GEAR	OIL PUMP INNER TO MARCH 2003	1
3-2	048535	GEAR	OIL PUMP INNER FROM MARCH 2003	1
4-1	048390	GEAR	OIL PUMP OUTER TO MARCH 2003	1
4-2	048531	GEAR	OIL PUMP OUTER FROM MARCH 2003	1
5-1	048422	COVER	OIL PUMP REAR TO MARCH 2003	1
5-2	048541	COVER	OIL PUMP GEAR FROM MARCH 2003	1
6	048397	SCREW	OIL PUMP	6
7	048383	PLUNGER	OIL RELIEF VALVE	1
8	048379	SPRING	OIL RELIEF VALVE	1
9	030461	PLUG	OIL RELIEF VALVE	1
10-1	046615	SEAL	OIL CRANKSHAFT FRONT TO MARCH 2003	1
10-2	048534	SEAL	OIL CRANKSHAFT FRONT FROM MARCH 2003	1
11	033643	CAPSCREW	M 8 X 30 JIS-FLANGE 6T	2
12	036918	FILTER	LUBE OIL	1
13	033654	CAPSCREW	M 8 X 20 JIS-FLANGE 6T	3
14	033642	CAPSCREW	M 8 X 25 JIS-FLANGE 6T	1
15	033649	CAPSCREW	M 8 X 65 JIS-FLANGE	4

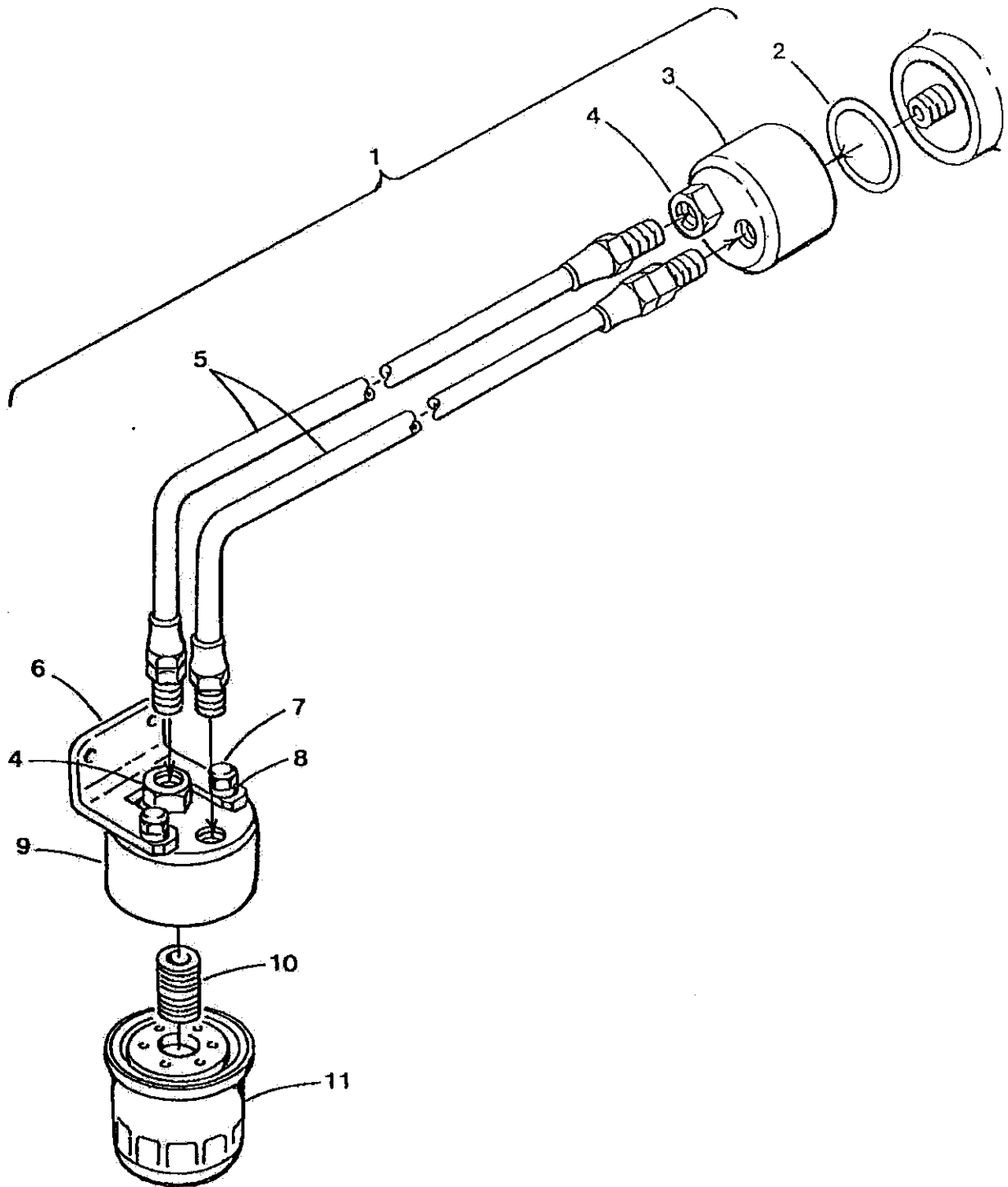
DIPSTICK & OIL SUMP - 8.0 - 15.0 BEG



## DIPSTICK & OIL SUMP - 8.0 - 15.0 BEG

Reference #	Part #	Part Name	Remarks	Quantity
1	048387	DIPSTICK		1
2	031783	LOCKWASHER	M6 DIN 127	1
3	020628	CAPSCREW	M6 X 25 DIN 933	1
4	048416	TUBE	DIPSTICK	1
5	046601	O-RING	DIPSTICK TUBE	1
6	046614	GASKET	STRAINER TO OIL PUMP	1
7	048411	STRAINER	OIL PICKUP	1
8	048465	CAPSCREW	STRAINER TO PUMP	2
9	048420	SUMP	OIL	1
10	034565	CAPSCREW	M 6 X 10 JIS-FLANGE	18
11	024905	CAP	1/4 NPT	1
12	024922	BRACKET	SUMP DRAIN HOSE	1
13	033691	HOSE	SUMP DRAIN	1
14	046245	WASHER	BANJO	1
15	037393	SEAL	LEAD WIRE	1
16	036493	WASHER	BANJO	1
17	036821	BOLT	BANJO	1
18	031228	CAPSCREW	M10 X 1.25 X 30 DIN 961	1
19	019282	LOCKWASHER	M10 DIN 127	1

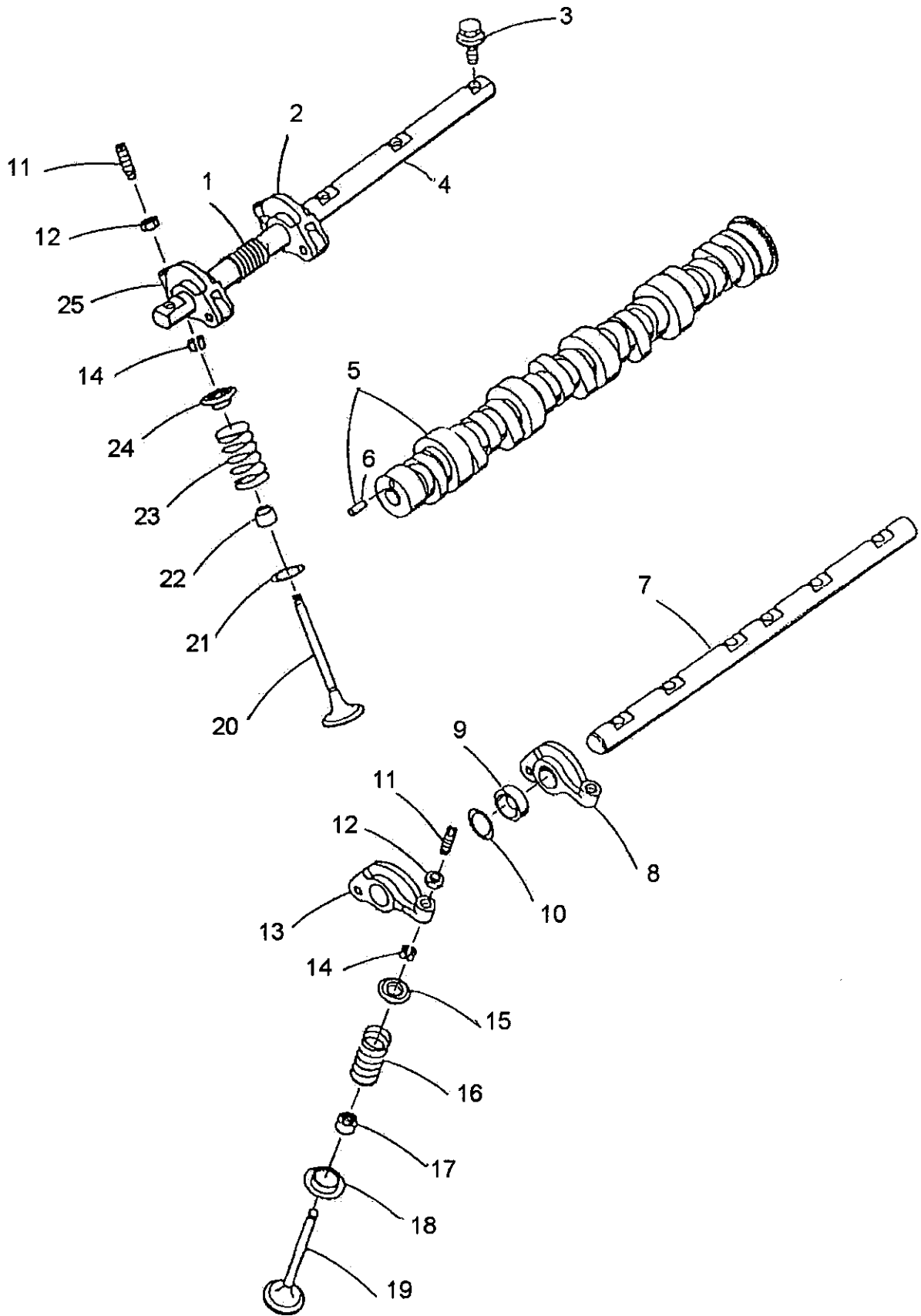
REMOTE LUBE OIL FILTER ASSEMBLY - 8.0 - 15.0 BEG



## REMOTE LUBE OIL FILTER ASSEMBLY - 8.0 - 15.0 BEG

Reference #	Part #	Part Name	Remarks	Quantity
1	040078	FILTER KIT	REMOTE LUBE OIL INCL. REF #'S 2 THRU 12	1
2	302842	O-RING		1
3	040075	ADAPTER	REMOTE OIL FILTER	1
4	013348	CONNECTOR	HOSE	2
5	011925	HOSE	OIL 40-1/4" LG	2
6	040074	BRACKET	REMOTE OIL FILTER	1
7	031503	CAPSCREW	1/4 NC X 3/4	2
8	031752	LOCKWASHER	1/4	2
9	040073	ADAPTER	REMOTE OIL FILTER	1
10	034663	NIPPLE	OIL FILTER TO ADAPTER	1
11	036918	FILTER	LUBE OIL	1
12	040076	DGINSTALL	REMOTE OIL FILTER	1

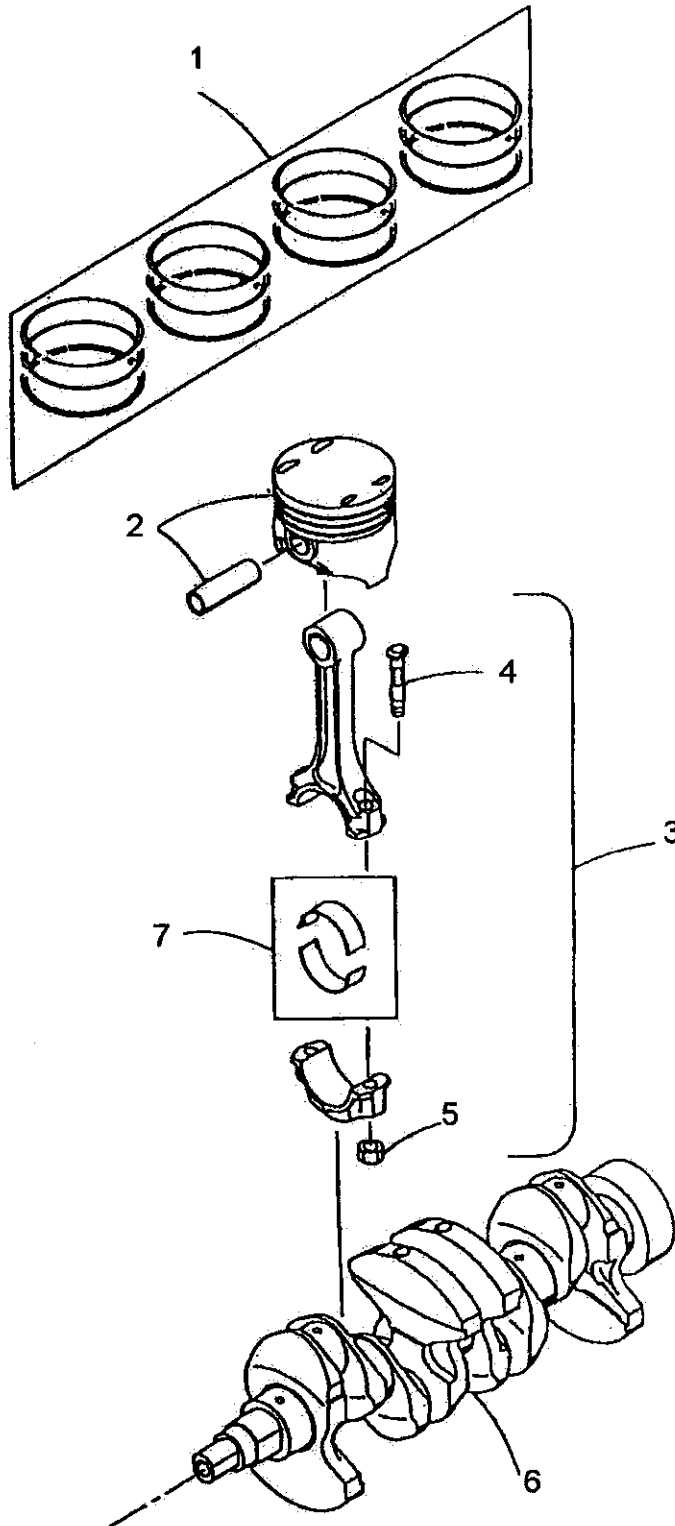
# ROCKERS, CAMSHAFT & VALVES - 8.0 - 15.0 BEG



## ROCKERS, CAMSHAFT & VALVES - 8.0 - 15.0 BEG

Reference #	Part #	Part Name	Remarks	Quantity
1	048417	SPRING	ROCKER SHAFT	4
2	048394	ROCKER	INTAKE	4
3	048402	BOLT	ROCKER SHAFT	11
4	048408	SHAFT	ROCKER INTAKE	1
5	048421	CAMSHAFT	INCLUDED REF # 6	1
6	043011	PIN	CAMSHAFT	1
7	048409	SHAFT	ROCKER EXHAUST	1
8	048396	ROCKER	EXHAUST	2
9	048400	SPACER	ROCKER	4
10	048385	WASHER	ROCKER SHAFT	4
11	046580	SCREW	TORQUE SPRING	12
12	046579	NUT	M 8 X 1.0 JIS 4T	12
13	048395	ROCKER	EXHAUST	2
14	030241	COLLET	VALVE	24
15	030240	SEAT	VALVE SPRING UPPER	4
16	048391	SPRING	VALVE	4
17	046604	SEAL	VALVE STEM EXHAUST	4
18	048380	SEAT	VALVE SPRING LOWER	4
19	048407	VALVE	EXHAUST	4
20-1	048388	VALVE	INTAKE 28.0	4
20-2	048470	VALVE	INTAKE 31.0	4
21	048401	SEAT	VALVE SPRING LOWER	8
22	046603	SEAL	VALVE STEM INTAKE	8
23	048392	SPRING	VALVE	8
24	042962	SEAT	VALVE SPRING UPPER	8
25	048393	ROCKER	INTAKE	4

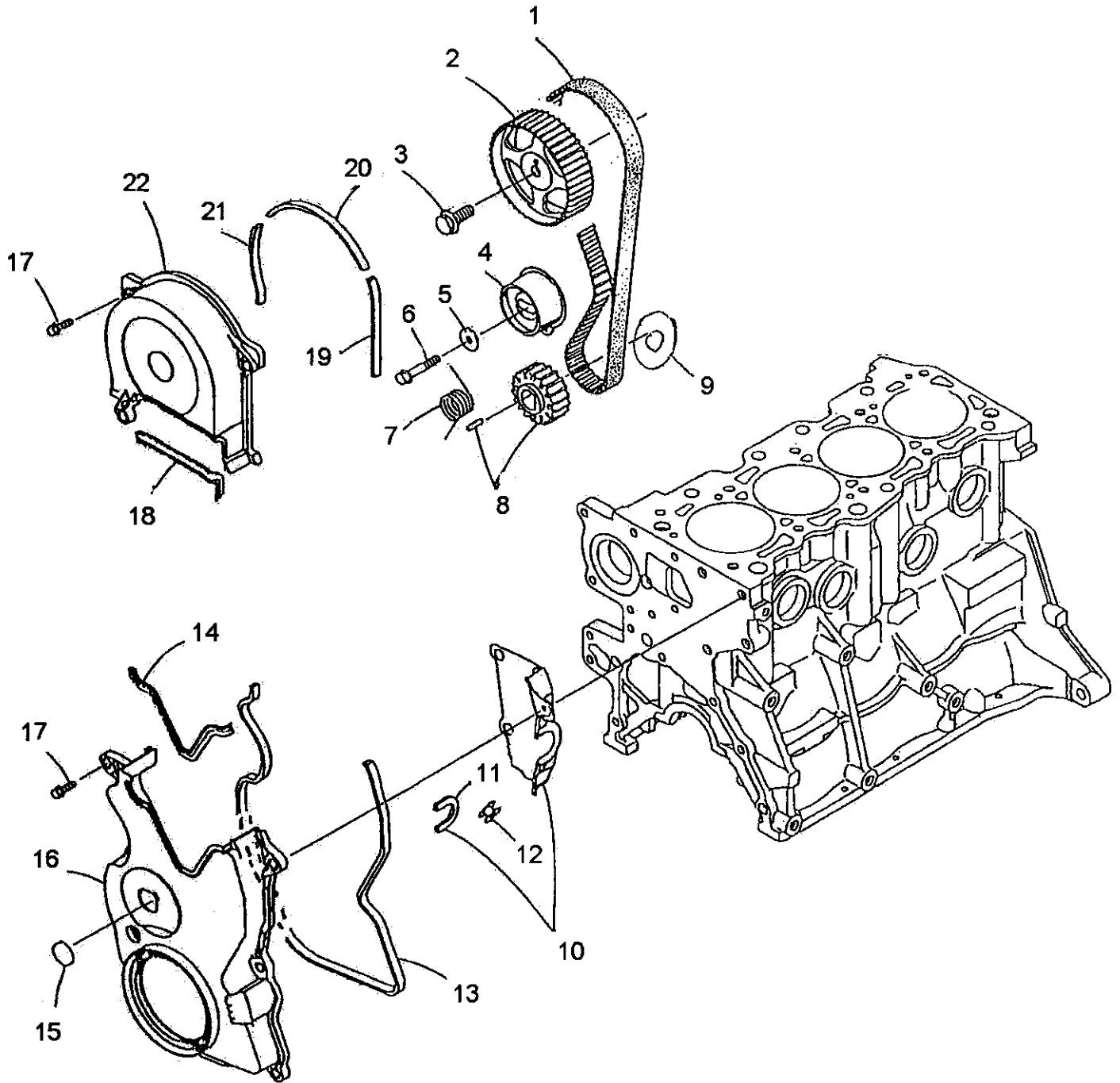
PISTON & CRANKSHAFT - 8.0 - 15.0 BEG



## PISTON & CRANKSHAFT - 8.0 - 15.0 BEG

Reference #	Part #	Part Name	Remarks	Quantity
1-1	048426	RING SET	STD	1
1-2	048444	RING SET	0.50	1
1-3	048445	RING SET	1.00	1
2-1	048443	PISTON	STD	4
2-2	048446	PISTON	0.50	4
2-3	048447	PISTON	1.00	4
3	048414	ROD	CONNECTING INCL. REF #S 3 & 4	4
4	048469	BOLT	CONNECTING ROD	8
5	043033	NUT	CONNECTING ROD BOLT	8
6-1	048423	CRANKSHAFT	TO MARCH 2003	1
6-2	048538	CRANKSHAFT	FROM MARCH 2003	1
7-1	048436	BEARING	ROD - S1	4
7-2	048437	BEARING	ROD - S2	4
7-3	048438	BEARING	ROD - S3	4

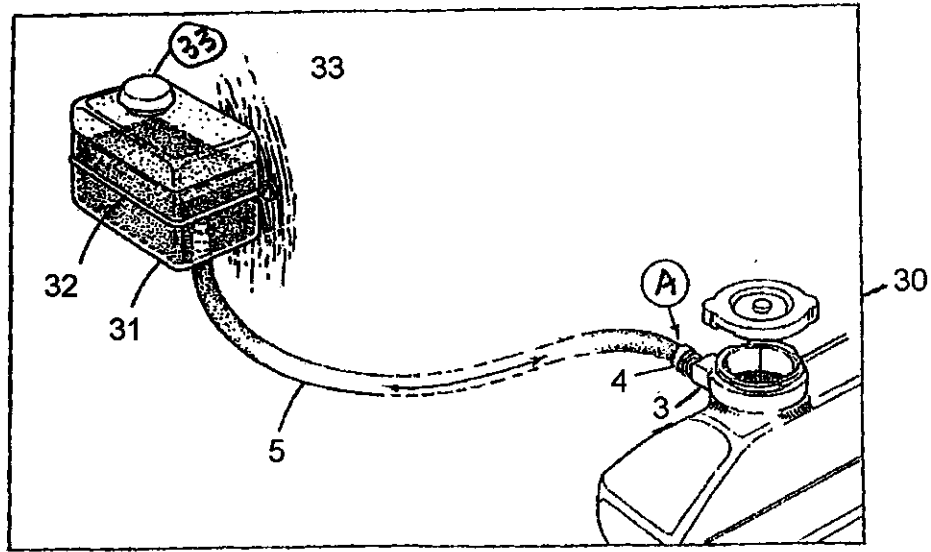
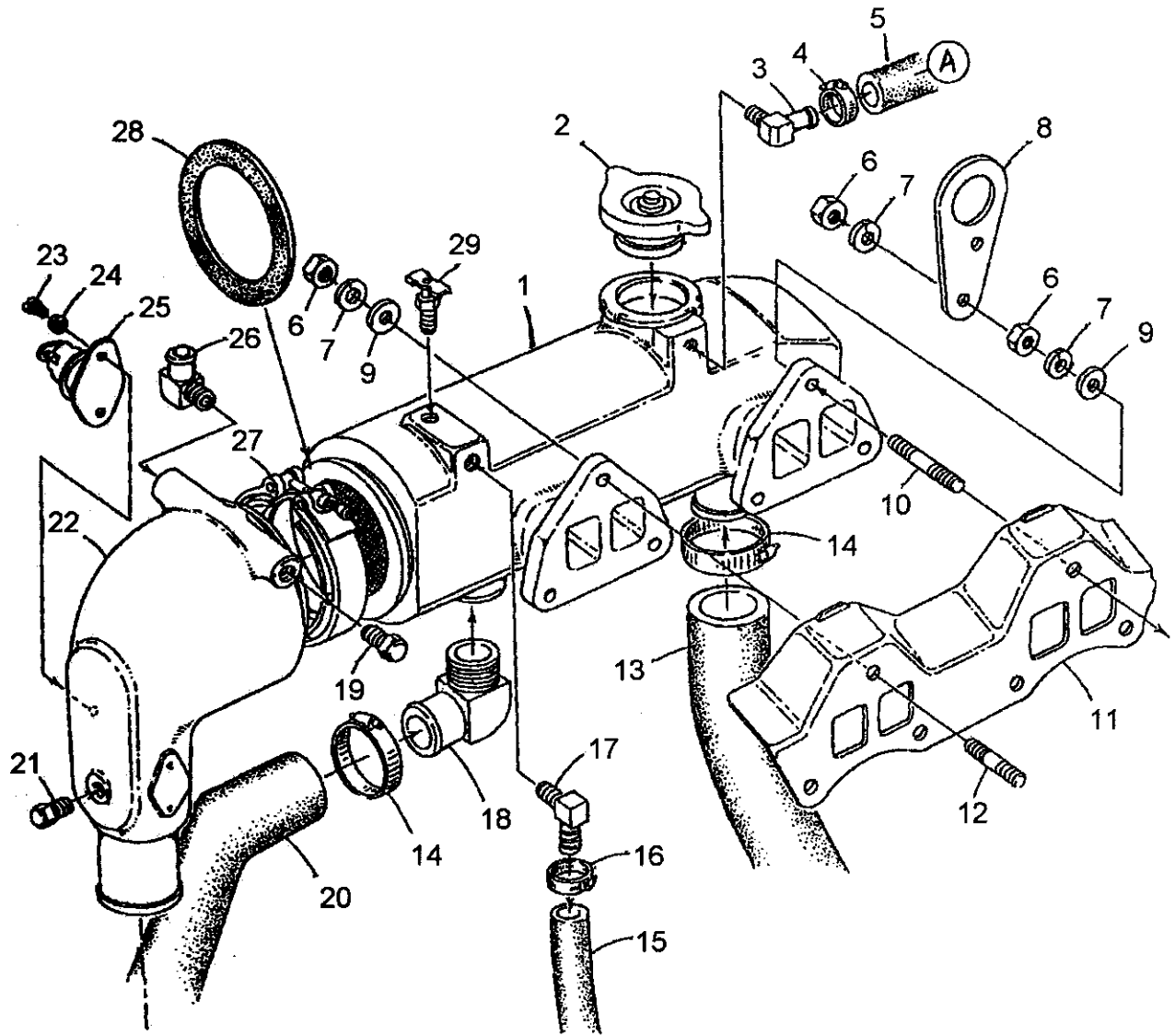
TIMING BELT & COVERS - 8.0 - 15.0 BEG



## TIMING BELT & COVERS - 8.0 - 15.0 BEG

Reference #	Part #	Part Name	Remarks	Quantity
1	046591	BELT	TIMING	1
2	048412	PULLEY	CAMSHAFT TIMING BELT	1
3	048464	CAPSCREW	M12 X 1.25 X 30 JIS FLANGE 7T	1
4	048425	TENSIONER	TIMING BELT	1
5	043067	WASHER	TENSIONER	1
6	033646	CAPSCREW	M 8 X 45 JIS-FLANGE	1
7	048429	SPRING	TENSIONER	1
8-1	048532	PULLEY	CRANKSHAFT TIMING BELT TO MARCH 2003	1
8-2	048413	PULLEY	CRANKSHAFT TIMING BELT FROM MARCH 2003	1
9-1	048533	FLANGE	CRANKSHAFT PULLEY TO MARCH 2003	1
9-2	048537	FLANGE	CRANKSHAFT PULLEY FROM MARCH 2003	1
10	048428	COVER	TIMING BELT REAR INCL. REF # 10	1
11	046613	GASKET	TIMING COVER PLUG	1
12	048410	PLUG	TIMING COVER	1
13	046610	GASKET	TIMING BELT COVER 6	1
14	046609	GASKET	TIMING BELT COVER 5	1
15	042947	COVER	TIMING BELT ACCESS	1
16	048427	COVER	TIMING BELT LOWER INCL. REF #'S 13 - 15	1
17	048462	CAPSCREW	M 6 X 18 JIS FLANGE 7T	8
18	046605	GASKET	TIMING BELT COVER 1	1
19	046608	GASKET	TIMING BELT COVER 4	1
20	046607	GASKET	TIMING BELT COVER 3	1
21	046606	GASKET	TIMING BELT COVER 2	1
22	048424	COVER	TIMING BELT UPPER INCL. REF #'S 18 - 21	1

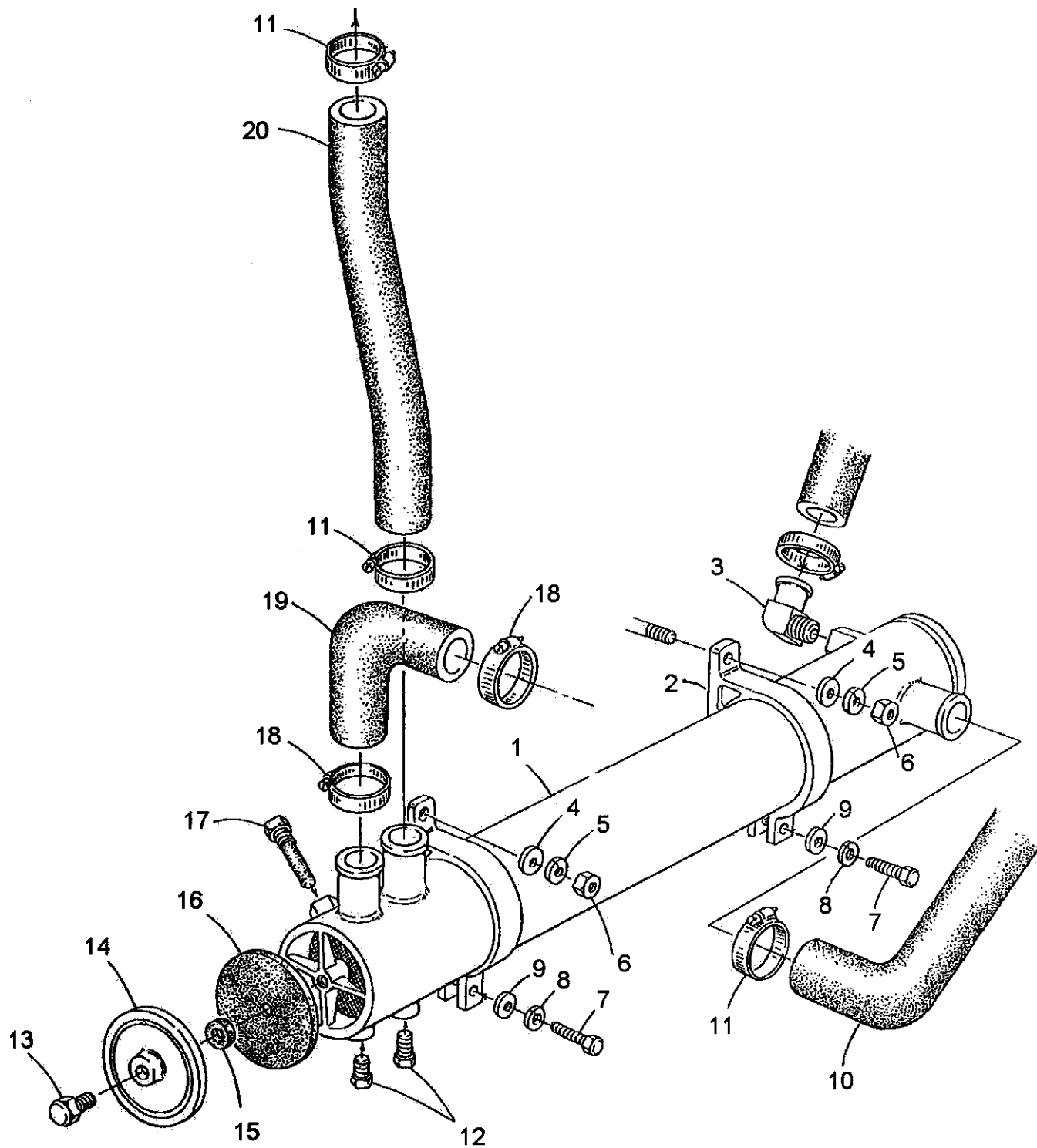
EXHAUST MANIFOLD & WET EXHAUST ELBOW - 8.0 - 15.0 BEG



## EXHAUST MANIFOLD & WET EXHAUST ELBOW - 8.0 - 15.0 BEG

Reference #	Part #	Part Name	Remarks	Quantity
1	043685	MANIFOLD	EXHAUST INCL. REF #S 2-3, 17-18 & 29	1
2	024306	CAP	PRESSURE 15 PSI	1
3	024907	ELBOW	1/8NPT X 5/16 HOSE	1
4	024906	CLAMP	HOSE 04 MINI	2
5	024637	TUBING	MANIFOLD TO TANK - INCHES REQ.	72
6	018242	NUT	M8 DIN 934	3
7	031786	LOCKWASHER	M8 DIN 127	3
8	040611	EYE	LIFTING	2
9	031787	WASHER	M8 DIN 125	2
10	031281	STUD	M8 X 40 DIN 939	1
11	046219	GASKET	EXHAUST MANIFOLD	1
12	015830	STUD	M8 X 25 DIN 939	5
13	046144	HOSE	MANIFOLD TO EXCHANGER	1
14	021878	CLAMP	HOSE 20	2
15	300123	HOSE	1/2 INCH - INCHES REQ.	11
16	017298	CLAMP	HOSE	1
17	241019	ELBOW	3/8 NPT x 1/2 HOSE	1
18	046098	ELBOW	1NPT X 1.25 HOSE	1
19	013716	PLUG	3/8 NPT	1
20	046143	HOSE	MANIFOLD TO FRESH WATER PUMP	1
21	019369	PLUG	1/8NPT HEX HEAD BRASS	1
22	046617	KIT	WATER INJECTED ELBOW 90 DEG	1
23	035711	SCREW	6-20 X 1/4 TAPPING	2
24	031840	LOCKWASHER	6 INT TOOTH SS	2
25	032923	SWITCH	EXHAUST TEMPERATURE	1
26	036612	ELBOW	3/8NPT TO 1" HOSE	1
27	046030	CLAMP	EXHAUST ELBOW 4.37 IN	1
28	046123	GASKET	EXHAUST ELBOW-MAN 4.37 IN	1
29	011471	PETCOCK	1/8NPT	1
30	024977	TANK KIT	COOLANT RECOVERY INCL. REF #S 3-5, 31-33	1
31	024704	TANK	COOLANT RECOVERY	1
32	024786	STRAP	TANK MOUNTING	1
33	024856	CAP	COOLANT RECOVERY TANK	1

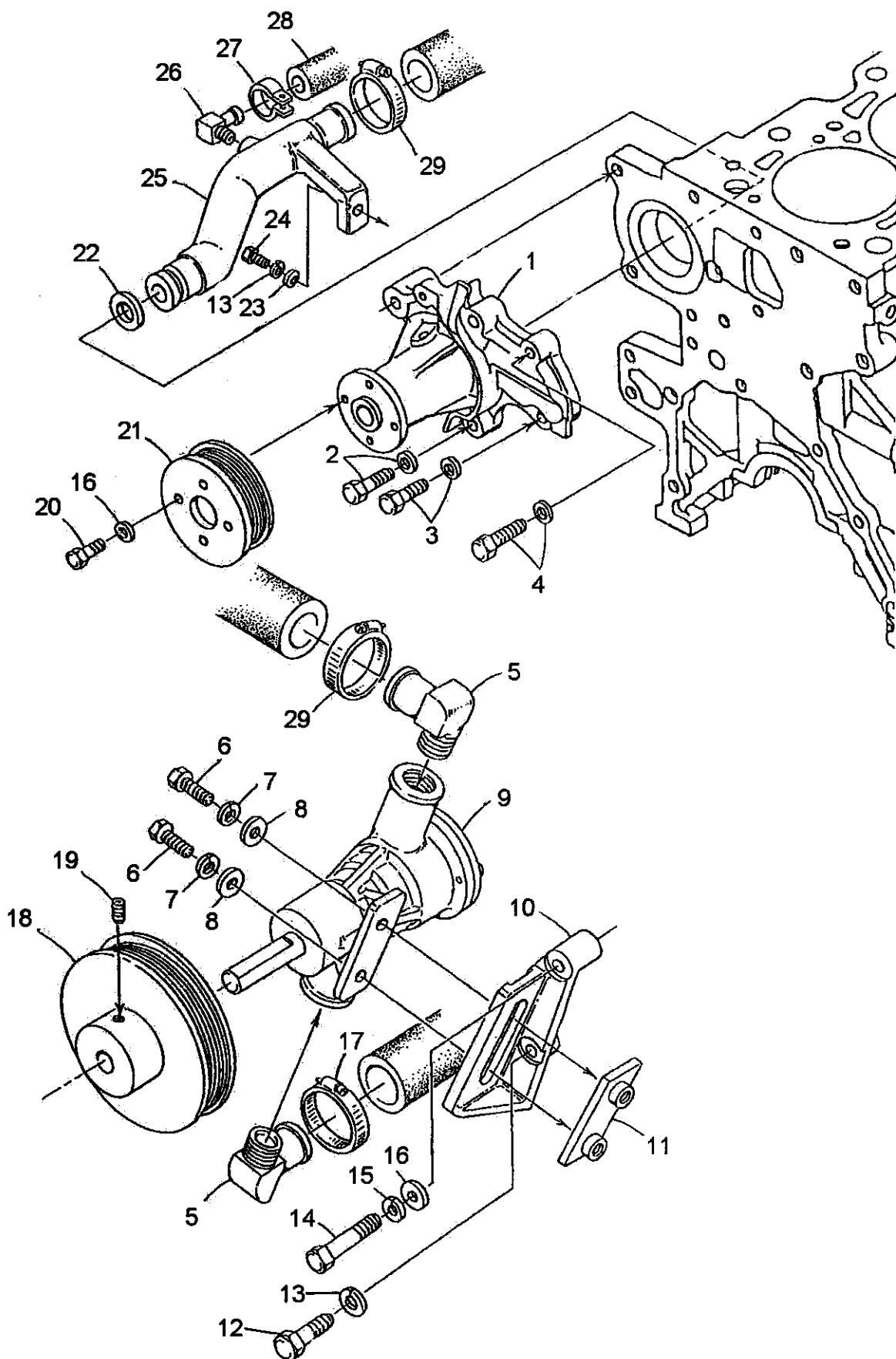
# HEAT EXCHANGER - 8.0 - 15.0 BEG



## HEAT EXCHANGER - 8.0 - 15.0 BEG

Reference #	Part #	Part Name	Remarks	Quantity
1	046578	EXCHANGER	HEAT	1
2	046027	CLAMP	EXCHANGER 2 INCH	2
3	036616	ELBOW	1/2NPT TO 1" HOSE	1
4	031787	WASHER	M8 DIN 125	2
5	031786	LOCKWASHER	M8 DIN 127	2
6	018242	NUT	M8 DIN 934	2
7	031508	CAPSCREW	1/4NC X 1-1/4	2
8	031752	LOCKWASHER	1/4	2
9	031753	WASHER	FLAT 1/4	2
10	046144	HOSE	MANIFOLD TO EXCHANGER	1
11	021878	CLAMP	HOSE 20	3
12	019369	PLUG	1/8NPT HEX HEAD BRASS	2
13	033402	CAPSCREW	5/16NC X 1/2 BRASS	2
14	033297	COVER	EXCHANGER END	2
15	019321	O-RING	EXCHANGER END COVER	2
16	033298	GASKET	EXCHANGER END	2
17	011885	ZINC		1
18	011405	CLAMP	HOSE 16	2
19	046141	HOSE	EXCHANGER TO FUEL COOLER	1
20	046142	HOSE	THERMOSTAT TO EXCHANGER	1

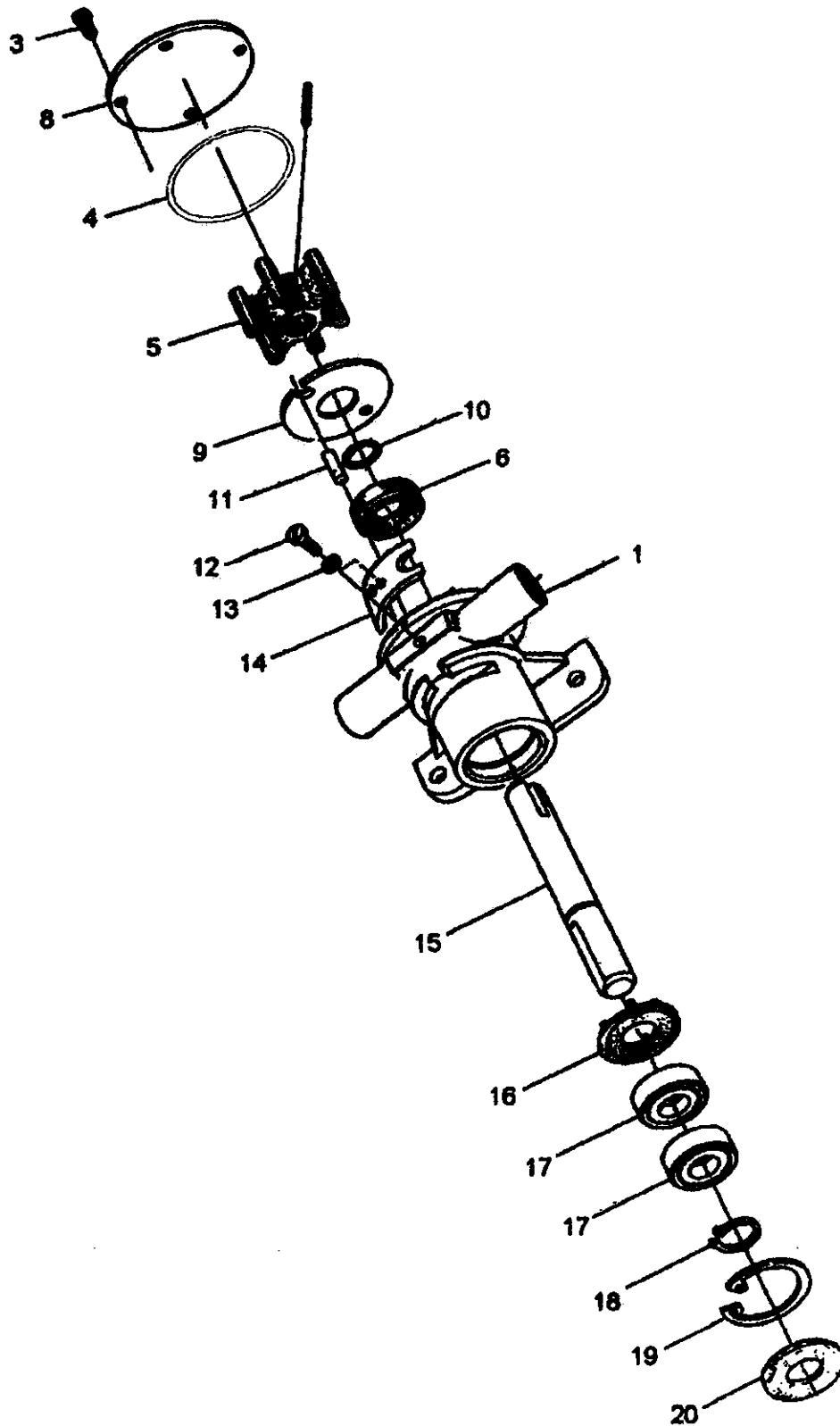
# FRESH & SEA WATER PUMP - 8.0 - 15.0 BEG



## FRESH & SEA WATER PUMP - 8.0 - 15.0 BEG

Reference #	Part #	Part Name	Remarks	Quantity
1	046594	PUMP	FRESH WATER	1
2	033643	CAPSCREW	M 8 X 30 JIS-FLANGE 6T	3
3	048463	CAPSCREW	M 8 X 14 JIS FLANGE 7T	1
4	033642	CAPSCREW	M 8 X 25 JIS-FLANGE 6T	1
5	036612	ELBOW	3/8NPT TO 1" HOSE	2
6	031505	CAPSCREW	1/4NC X 1	2
7	031752	LOCKWASHER	1/4	2
8	031753	WASHER	FLAT 1/4	2
9	042026	PUMP	SEA WATER	1
10	046161	BRACKET	SEA WATER PUMP	1
11	033018	PLATE		1
12	031225	CAPSCREW	M8 X 60 DIN 931	1
13	031786	LOCKWASHER	M8 DIN 127	2
14	046031	CAPSCREW	M10 X 90 DIN 931	1
15	019262	LOCKWASHER	M10 DIN 127	1
16	031789	WASHER	M10 DIN 125	5
17	011405	CLAMP	HOSE 16	1
18	046099	PULLEY	SEA WATER PUMP	1
19	011357	SETSCREW		1
20	017012	CAPSCREW	M6 X 16 DIN 933	4
21	046064	PULLEY	FRESH WATER PUMP 3GR POLY-V	1
22	032908	O-RING		1
23	031787	WASHER	M8 DIN 126	1
24	013630	CAPSCREW	M8 X 25 DIN 933	1
25	046128	ELBOW	FRESH WATER PUMP INLET	1
26	042616	ELBOW	MALE 1/8 NPT TO 1/4" HOSE	1
27	040384	CLAMP	HOSE MINI	1
28	036869	HOSE	3/16 ID	1
29	021878	CLAMP	HOSE 20	2

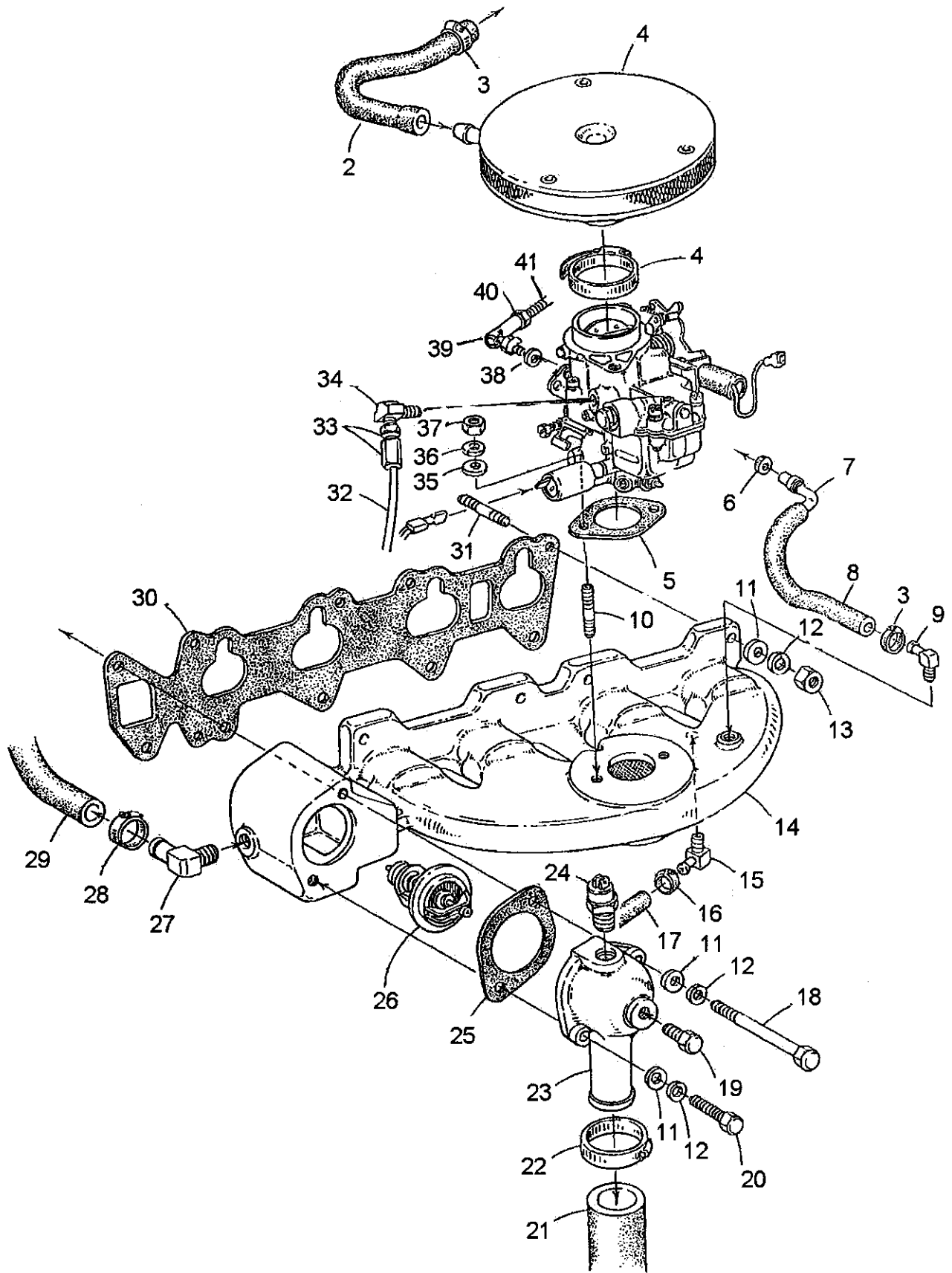
SEA WATER PUMP - 8.0 - 15.0 BEG



## SEA WATER PUMP

Reference #	Part #	Part Name	Remarks	Quantity
1	042026	PUMP	SEA WATER	1
2	046622	IMPELLER KIT		1
3	034463	SCREW	IMPELLER COVER	4
4	046624	GASKET	IMPELLER COVER	1
5	033046	IMPELLER	PUMP WITH IMPELLER SCREW	1
6	033043	SEAL	PUMP	1
8	046625	COVER	IMPELLER PUMP	1
9	046661	PLATE	WEAR PUMP	1
10	033041	O-RING		1
11	302575	DOWEL		1
12	046662	SCREW	CAM PUMP	1
13	033037	WASHER	CAM SCREW	1
14	033031	CAM	PUMP	1
15	046629	SHAFT	SEA WATER PUMP	1
16	046630	SPACER	BEARING PUMP	1
17	033042	BEARING		2
18	033045	C-RING	RETAINING	1
19	033044	RING	RETAINING	1
20	033033	COVER	BEARING OUTER	1
21	046623	KIT	WATER PUMP MAJOR REBUILD	1

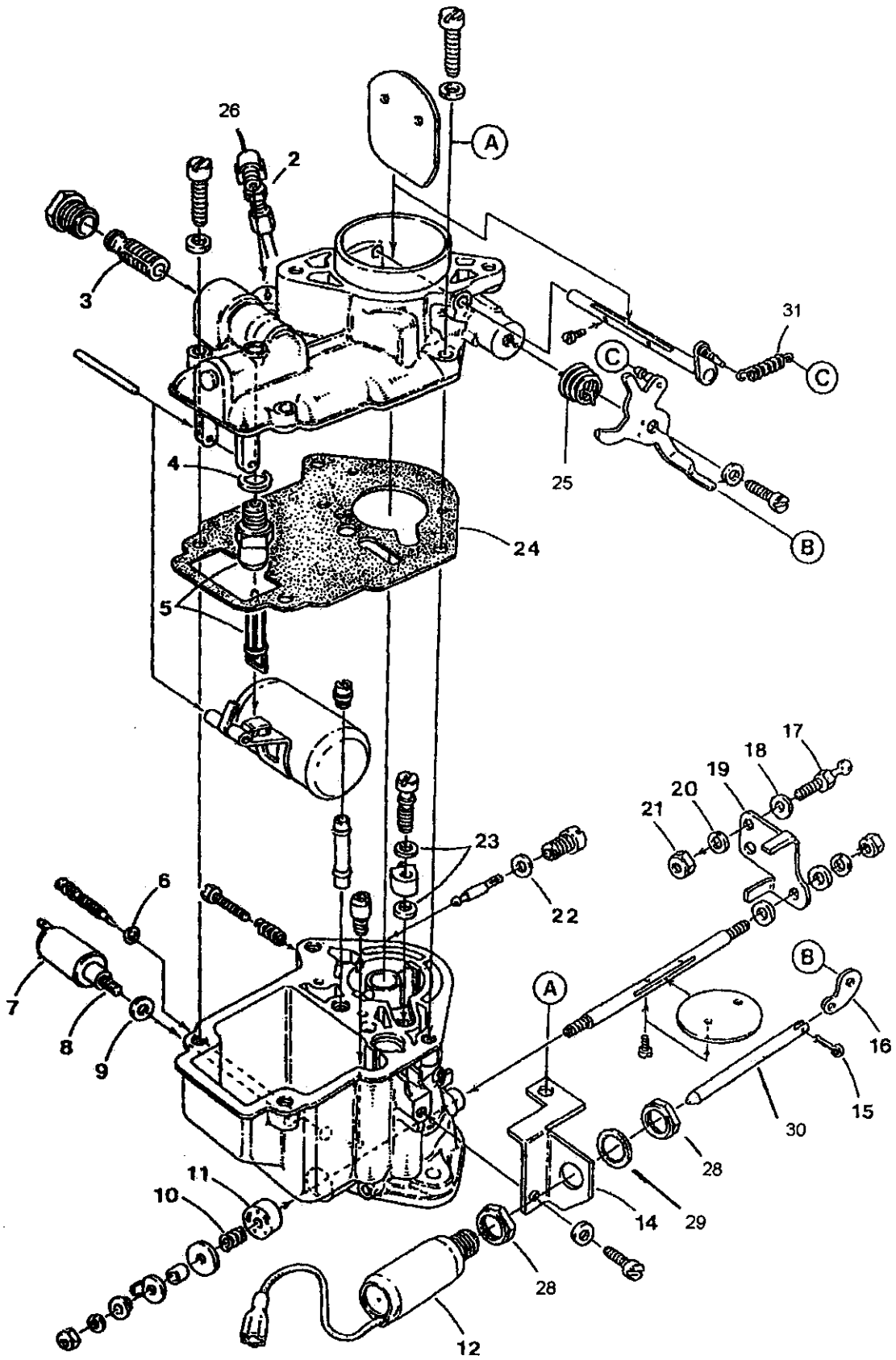
# CARBURETOR, INTAKE MANIFOLD & THERMOSTAT - 8.0 - 15.0 BEG



## CARBURETOR, INTAKE MANIFOLD & THERMOSTAT - 8.0 - 15.0 BEG

Reference #	Part #	Part Name / Remarks	Quantity
1	046444	CARBURETOR 8.0-15.0 BEG (Pre E510 Date)	1
1-2	052315	CARBURETOR 8.0-15.0 BEG (Post E510 Date)	1
2	035894	HOSE,BREATHER	1
3	024906	CLAMP,HOSE 04 MINIATURE	2
4	048313	ARRESTOR,FLAME 8-15 BEG (Pre E510 Date)	1
4-1	052092	ARRESTOR,FLAME 8-25 BEG (Post E510 Date)	1
5	035293	GASKET,CARBURETOR TO MANIFOLD (Pre E510 Date)	1
5-1	052366	GASKET,CARBURETOR TO MANIFOLD (Post E510 Date)	1
6	046597	GASKET,PCV VALVE	1
7	046495	VALVE,PCV	1
8	042680	HOSE,FUEL 5/16ID	8"
9	024907	ELBOW 1/8NPT x 5/16 HOSE	1
10	045125	STUD M 6x20 (Pre E510 date)	2
10-1	052362	STUD M 8x20 (Post E510 Date)	2
11	031787	WASHER M 8	11
12	031786	LOCKWASHER M 8	11
13	018242	NUT M 8	11
14	045548	MANIFOLD,INTAKE 8.0-15.0 BEG (Pre E510 Date)	1
14-1	052375	MANIFOLD,INTAKE 8.0-15.0 BEG (Post E510 Date)	1
15	042616	ELBOW,MALE 1/8NPTx0.17 ID HOSE	1
16	040384	CLAMP,HOSE MINI	1
17	036869	HOSE,FUEL 3/16ID	1
18	046387	CAPSCREW M 8x105	1
19	019369	PLUG 1/8 NPT	1
20	013630	CAPSCREW M 8x25	1
21	046142	HOSE,THERMOSTAT TO EXCHANGER	1
22	021878	CLAMP,HOSE 20	1
23	033318	HOUSING,THERMOSTAT 8.5-15 BTG	1
24	039550	SWITCH,TEMP 210F NC 1/4NPT 2T	1
25	033417	GASKET,THERMOSTAT HOUSING	1
26	046097	THERMOSTAT 140F WITH BYPASS	1
27	241019	ELBOW 3/8NPT x 1/2 HOSE BARB	1
28	017298	CLAMP,HOSE 06	1
29	300123	HOSE 1/2 IN	11"
30	046218	GASKET,INTAKE MANIFOLD	1
31	015830	STUD M 8x25	9
32	048016	LINE,LIFT PUMP TO CARBURETOR (Pre E510 date)	1
32-1	052368	LINE,FILTER TO CARBURETOR (Post E510 Date)	1
33-1	019449	CONNECTOR,MALE 1/8NPTx1/4 COMP	1
33-2	011596	NUT,UNION 1/4 TUBING	1
33-3	011597	FERRULE 1/4 OD TUBE COMPRESSN	1
34	013340	ELBOW 1/8NPT 90 STREET BRASS	1
35	031784	WASHER M 6 (Pre E510 Date)	2
35-1	031787	WASHER M 8 (Post E510 date)	2
36	031783	LOCKWASHER M 6 (Pre E510 date)	2
36-1	031786	LOCKWASHER M 8 (Post e510 Date)	2
37	015812	NUT M 6 (Pre E510 date)	2
37-1	018242	NUT M 8 (Post e510 date)	2
38	031848	WASHER,FLAT 10	1
39	019364	BALLJOINT 10-32	1
40	031847	NUT 10-32 HEX	1
41	036423	ROD,THREADED	1

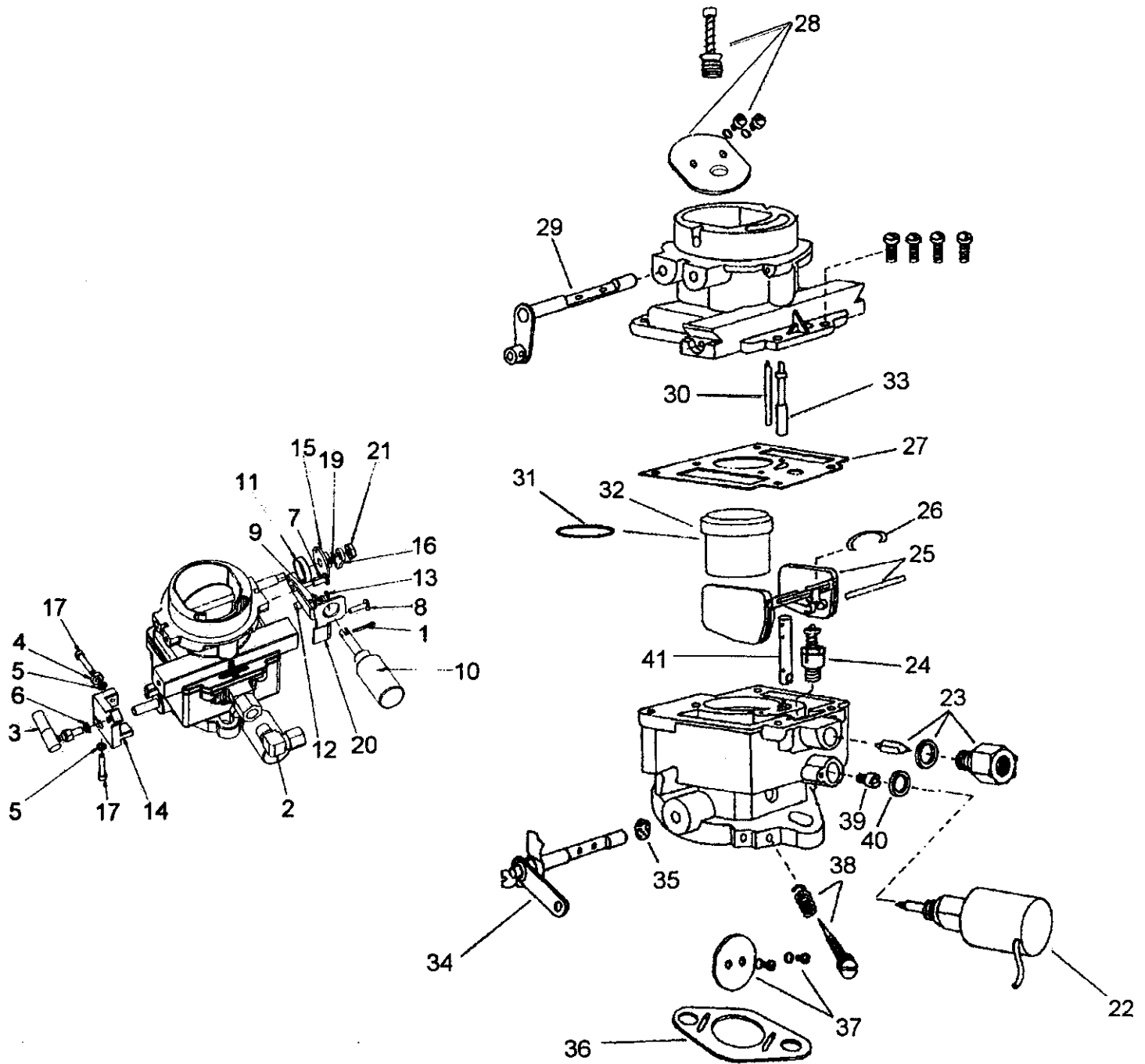
CARBURETOR PN 46444 - 8.0 - 15.0 BEG



## CARBURETOR PN 46444 - 8.0 - 15.0 BEG

Reference #	Part #	Part Name	Remarks	Quantity
1	046444	CARBURETOR	(TO SER # E 510)	1
2-1	019449	CONNECTOR	1/8NPT TO 1/4 TUBE INCL NUT & FERRULE	1
2-2	011596	NUT		1
2-3	011597	FERRULE		1
3	038090	FILTER	FUEL	1
4	038098	GASKET	NEEDLE & SEAT	1
5	038097	VALVE	NEEDLE & SEAT	1
6	038092	GASKET	IDLE SCREW	1
7	043800	SOLENOID	INCLUDING JET	1
8	036174	JET	CARBURETOR	1
9	037846	WASHER	FUEL SHUTOFF SOLENOID	1
10	038094	SPRING	ROTARY VALVE	1
11	038098	VALVE	ROTARY	1
12	038038	SOLENOID	CHOKE	1
13	038042	NUT	CHOKE SOLENOID	1
14	037751	BRACKET	CHOKE SOLENOID	1
15	011796	PIN	COTTER 1/16 X 1/2	1
16	037819	LINKAGE	CHOKE SOLENOID TO CARBURETOR	1
17	019364	BALL JOINT		1
18	031848	WASHER	FLAT 10	2
19	035291	LEVER	THROTTLE	1
20	031849	LOCKWASHER	10 SS	1
21	031847	NUT	10-32 SS HEX	1
22	038091	GASKET	IDLE JET	1
23	036275	GASKET	ACCELERATOR PUMP JET	1
24	038093	GASKET	COVER	1
25	038041	SPRING		1
26	013340	ELBOW	1/8 NPT 90 STREET BRASS	1
27	038100	KIT	CARBURETOR REPAIR	1
28		NA		
29		NA		
30		.NA		
31	038095	SPRING	CHOKE	1

CARBURETOR PN 52315 - 8.0 - 15.0 BEG



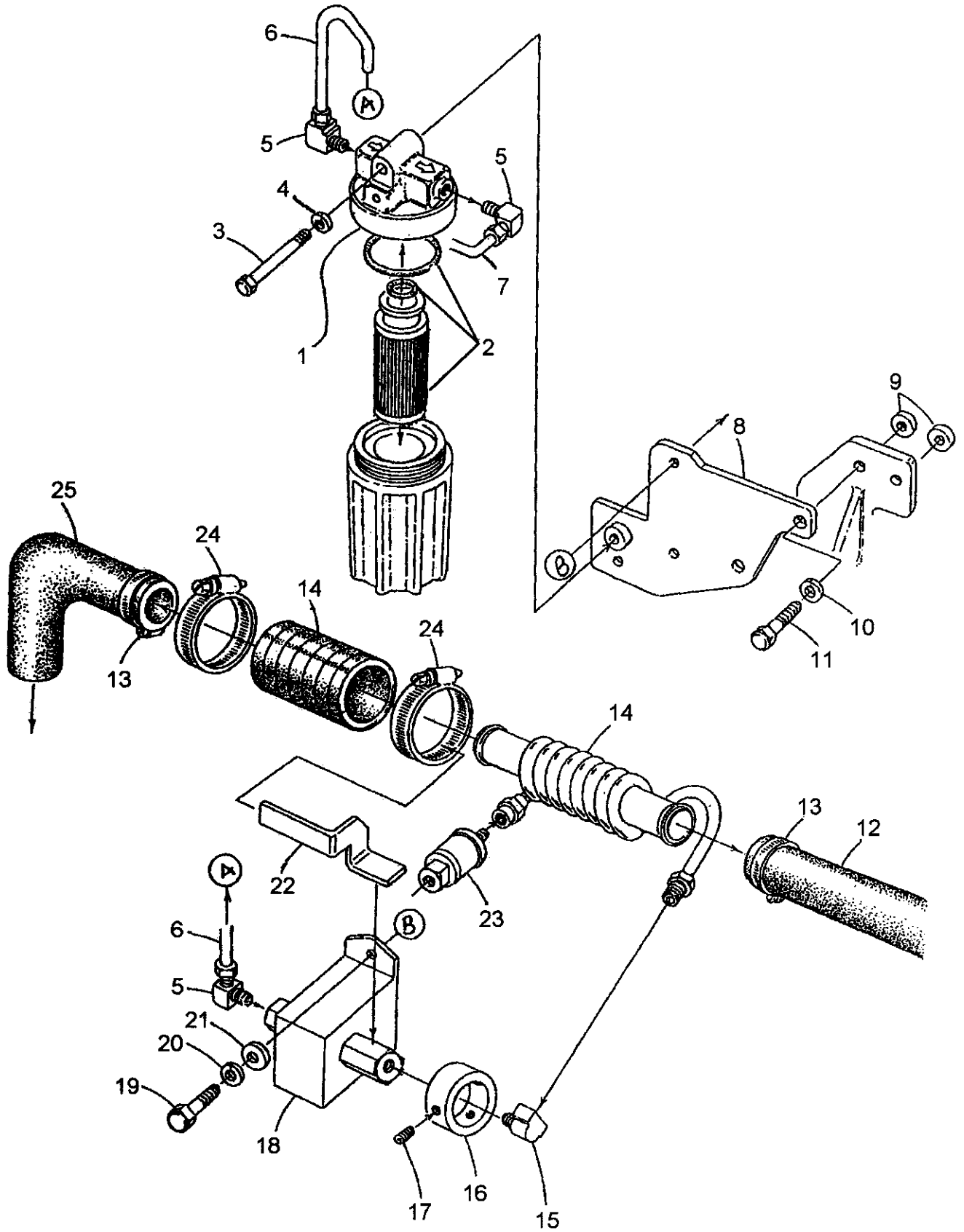
## CARBURETOR PN 52315 - 8.0 - 15.0 BEG

Reference #	Part #	Part Name / Remarks	Quantity
1	011796	PIN,COTTER	1
2	013329	ELBOW,MALE 1/8NPTx1/4 COMPRESN	1
3	019364	BALLJOINT 10-32 M-F	1
4	031837	NUT 6-32 HEX MACHINE SS	1
5	031839	LOCKWASHER 6 SPLIT MED SS	2
6	031849	LOCKWASHER 10 SPLIT MED SS	1
7	031862	SCREW 8-32x3/8 SS BINDING HEAD	1
8	031863	SCREW 8-32x1/2 SS BINDING HEAD	1
9	037819	LINKAGE,CHOKE SOLENOID TO CARB	1
10	038038	SOLENOID,CHOKE 12 VDC	1
11	038041	SPRING,CARBURETOR	1
12	046641	INSERT,CHOKE LINKAGE	1
13	046724	RING,RETAINING 3/32 EXTERNAL	1
14	052301	ARM,THROTTLE-CARBURETOR	1
15	052303	MOUNT,CHOKE SPRING	1
16	052305	ARM,CHOKE SHAFT TO SOLENOID	1
17	052313	CAPSCREW 6-32x3/4 SOCKET HEAD	2
19	052371	SETSCREW 6-32x1/8 CUP SOCKET	1
20	052482	BRACKET,CHOKE SOLENOID MOUNT	1
21	200125	NUT 10-32 KEPS	1
22	048666	SOLENOID,FUEL SHUTOFF CARBURET	1
23	NA	NEEDLE & SEAT	1
24	NA	POWER JET VALVE	1
25	NA	FLOAT, & AXLE	1
26	NA	RETAINER, FLOAT AXLE	1
27	NA	GASKET, FLOAT CHAMBER	1
28	NA	CHOKE PLATE	1
29	NA	CHOKE SHAFT ASSEMBLY	1
30	NA	TUBE, IDLE JET	1
31	NA	O'RING, VENTURI	1
32	NA	VENTURI	1
33	NA	TUBE, WELL FILLER	1
34	NA	THROTTLE SHAFT	1
35	NA	SEAL, THROTTLE SHAFT (TWO PART)	1
36	052366	GASKET,CARBURETOR TO MANIFOLD	1
37	NA	THROTTLE PLATE	1
38	NA	IDLE NEEDLE ADJ.	1
39	NA	JET, MAIN	1
40	037846	WASHER,FUEL SOLENOID TO CARB	1
41	NA	TUBE, WELL	1

Not Shown On illustration.

052700 KIT,CARBURETOR 52315-17-52563

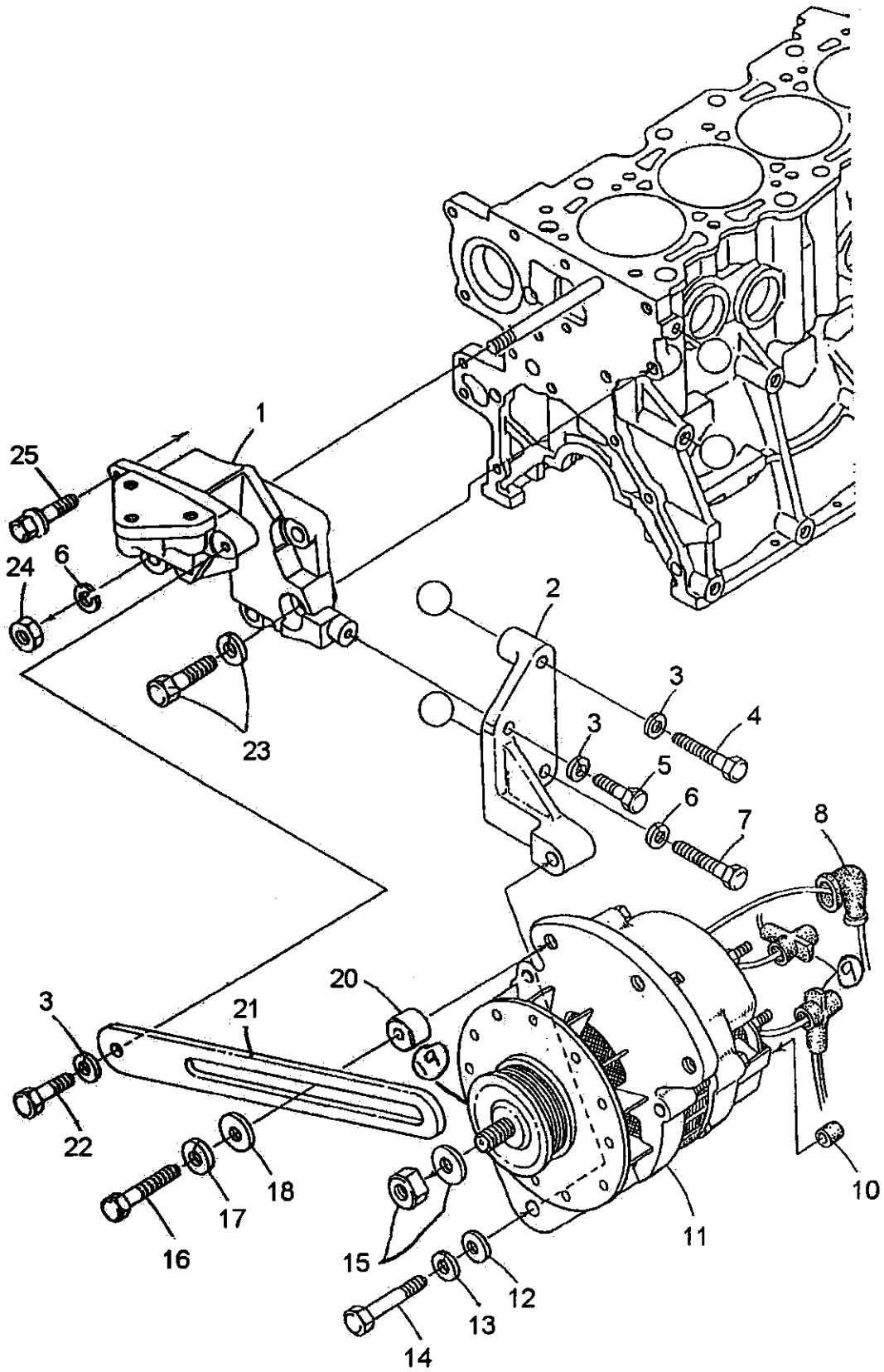
GASDENSER, FUEL PUMP & FILTERS - 8.0 - 15.0 BEG



## GASDENSER, FUEL PUMP & FILTERS - 8.0 - 15.0 BEG

Reference #	Part #	Part Name	Remarks	Quantity
1	046800	FILTER	FUEL ASSEMBLY	1
2	047006	ELEMENT	FUEL FILTER INCL O-RINGS	1
3	024949	CAPSCREW	M8 X 50 DIN 931	1
4	031786	LOCKWASHER	M8 DIN 127	1
5	013329	ELBOW	INCL NUT & FERRULE- 48015 & 48016 LINE'S	1
6	048015	LINE	LIFT PUMP TO FILTER	1
7	048016	LINE	LIFT PUMP TO CARBURETOR	1
8	046039	BRACKET	LIFT PUMP	1
9	042225	SPACER		2
10	019282	LOCKWASHER	M10 DIN 127	1
11	031228	CAPSCREW	M10 X 1.25 X 30 DIN 961	1
12	046257	HOSE	SEA WATER TO COOLER	1
13	011405	CLAMP	HOSE 16	2
14	038052	GASDENSER		1
15	022513	ELBOW	ADAPTER	1
16	038158	COLLAR		1
17	038173	SETSCREW	5/16NC CUP NYLOCK	3
18	039273	PUMP	LIFT 12 VDC	1
19	015816	CAPSCREW	M6 X 10	2
20	031783	LOCKWASHER	M6 DIN 127	2
21	031784	WASHER	M6 DIN 125	2
22	038161	BRACKET	GASDENSER TO LIFT PUMP	1
23	048076	FILTER	LIFT PUMP INLET FROM MARCH 2003	1
24	038193	CLAMP	HOSE 28	2
25	046141	HOSE	EXCHANGER TO FUEL COOLER	1

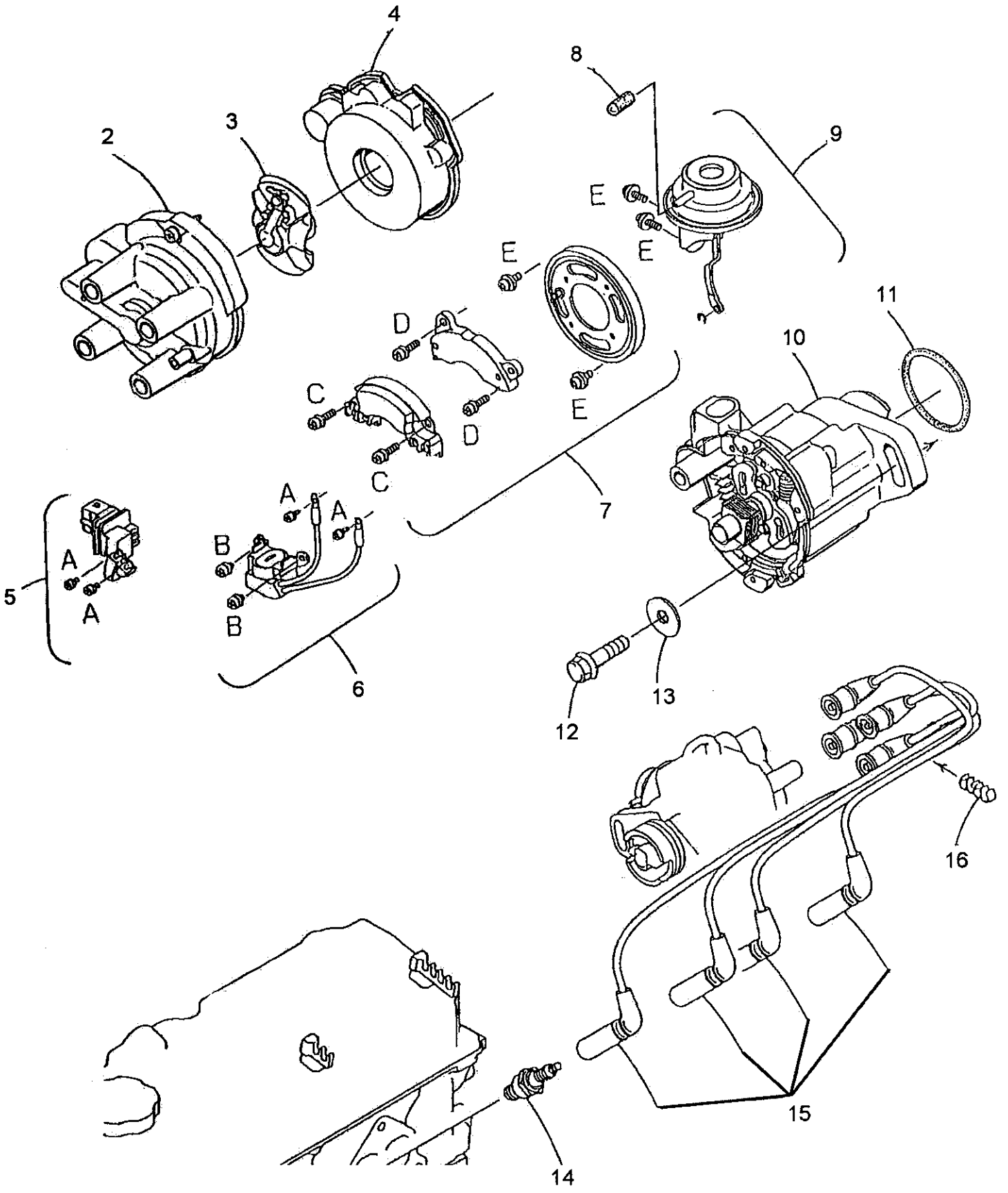
ALTERNATOR MOUNT - 8.0 - 15.0 BEG



## ALTERNATOR MOUNT - 8.0 - 15.0 BEG

Reference #	Part #	Part Name	Remarks	Quantity
1	048418	BRACKET	CYLINDER BLOCK FRONT	1
2	046121	BRACKET	ALTERNATOR	1
3	031786	LOCKWASHER	M8 DIN 127	3
4	024949	CAPSCREW	M8 X 50 DIN 931	1
5	013630	CAPSCREW	M8 X 25 DIN 933	1
6	019262	LOCKWASHER	M10 DIN 127	2
7	024955	CAPSCREW	M10 X 1.25 X 45 DIN 960	1
8	034472	BOOT	TERMINAL	1
9	035449	BOOT	TERMINAL	1
10	050377	CAP	RED	1
11	043147	ALTERNATOR	12 VDC, 50 A INCL. REF # 19	1
12	031777	WASHER	FLAT 1/2	1
13	031776	LOCKWASHER	1/2 SPLIT MED STEEL	1
14	031709	CAPSCREW	1/2NC X 2	1
15	030694	NUT SET	INCLUDES LOCKWASHER	1
16	031556	CAPSCREW	5/16NC X 1-1/4	1
17	031758	LOCKWASHER	5/16	1
18	033381	WASHER	FLAT	1
19	048065	PULLEY	ALTERNATOR 3 GROOVE POLY-V	1
20	040406	SPACER		1
21	033064	STRAP	ADJUSTING	1
22	017196	CAPSCREW	M8 X 20 DIN 933	1
23	048467	CAPSCREW	M10 X 1.25 X 35 JIS 7 W/LW	3
24	024950	NUT	M10 X 1.25 DIN 934	1
25	048462	CAPSCREW	M 6 X 18 JIS FLANGE 7T	1

DISTRIBUTOR ASSEMBLY - 8.0 - 15.0 BEG



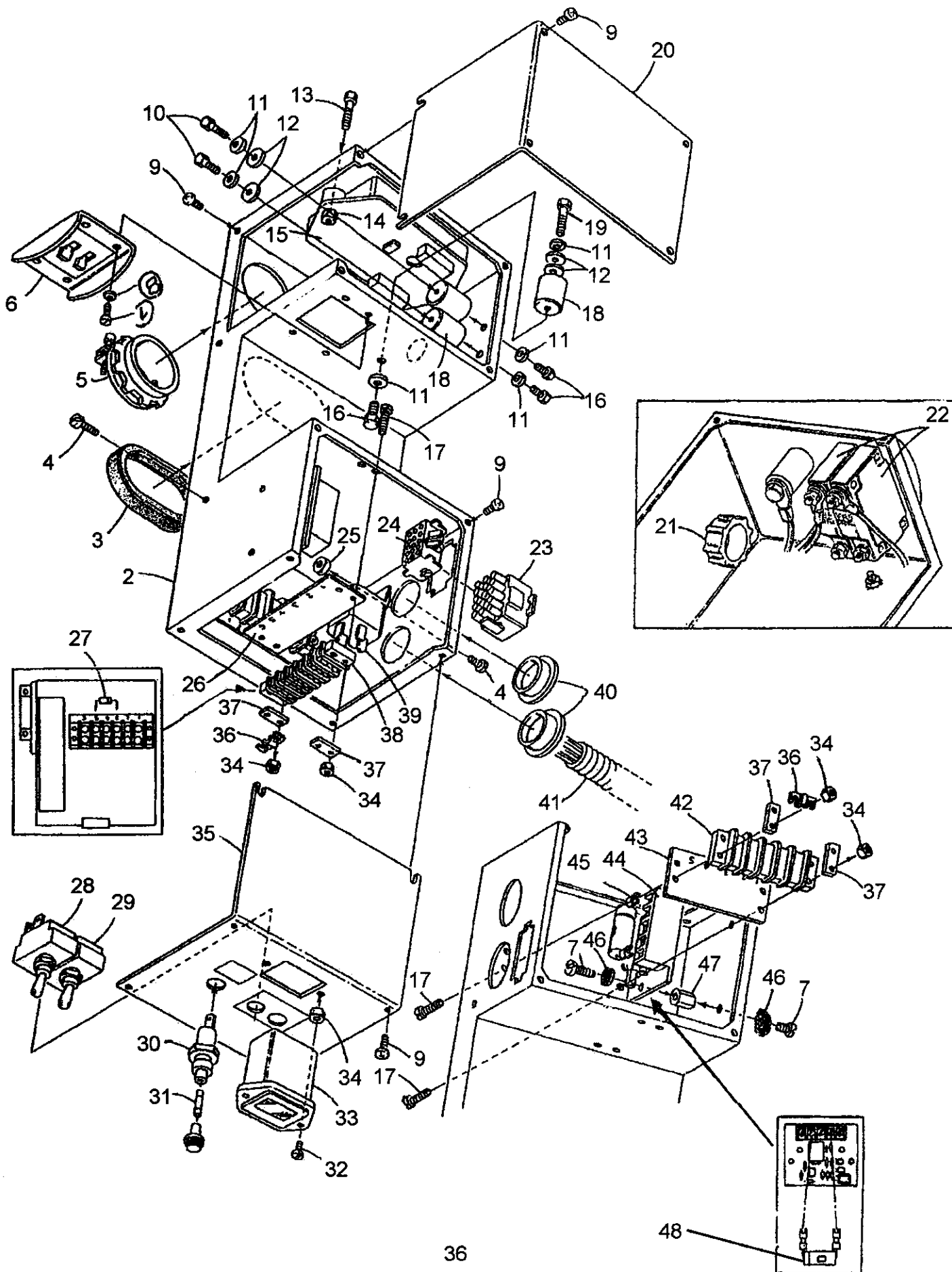
## DISTRIBUTOR ASSEMBLY - 8.0 - 15.0 BEG

Reference #	Part #	Part Name	Remarks	Quantity
1	046493	DISTRIBUTOR	INCLUDES REF #'S 2 THRU 10	1
2	046592	CAP	DISTRIBUTOR	1
3	043050	ROTOR		1
4	048461	COVER	DISTRIBUTOR BREAKER	1
5	048460	CABLE	DISTRIBUTOR	1
6	048458	MODULE	DISTRIBUTOR PICK-UP	1
7	046593	IGNITER KIT	DISTRIBUTOR	1
8	033885	CAP	VINYL	1
9	048459	MODULE	DISTRIBUTOR VACUUM ADVANCE	1
10	048492	HOUSING	DISTRIBUTOR W/COIL	1
11	046602	O-RING	DISTRIBUTOR	1
12	041569	CAPSCREW	SECURITY PIN	2
13	033381	WASHER	FLAT	2
14	043071	SPARKPLUG		4
15	046596	WIRE SET	SPARKPLUG	1
16	048386	CLAMP	SPARKPLUG WIRES	1

NOT SHOWN ON ILLUSTRATION

049016	TERMINAL, COIL CONNECTION	1
048457	SET SCREW, DISTRIBUTOR	1

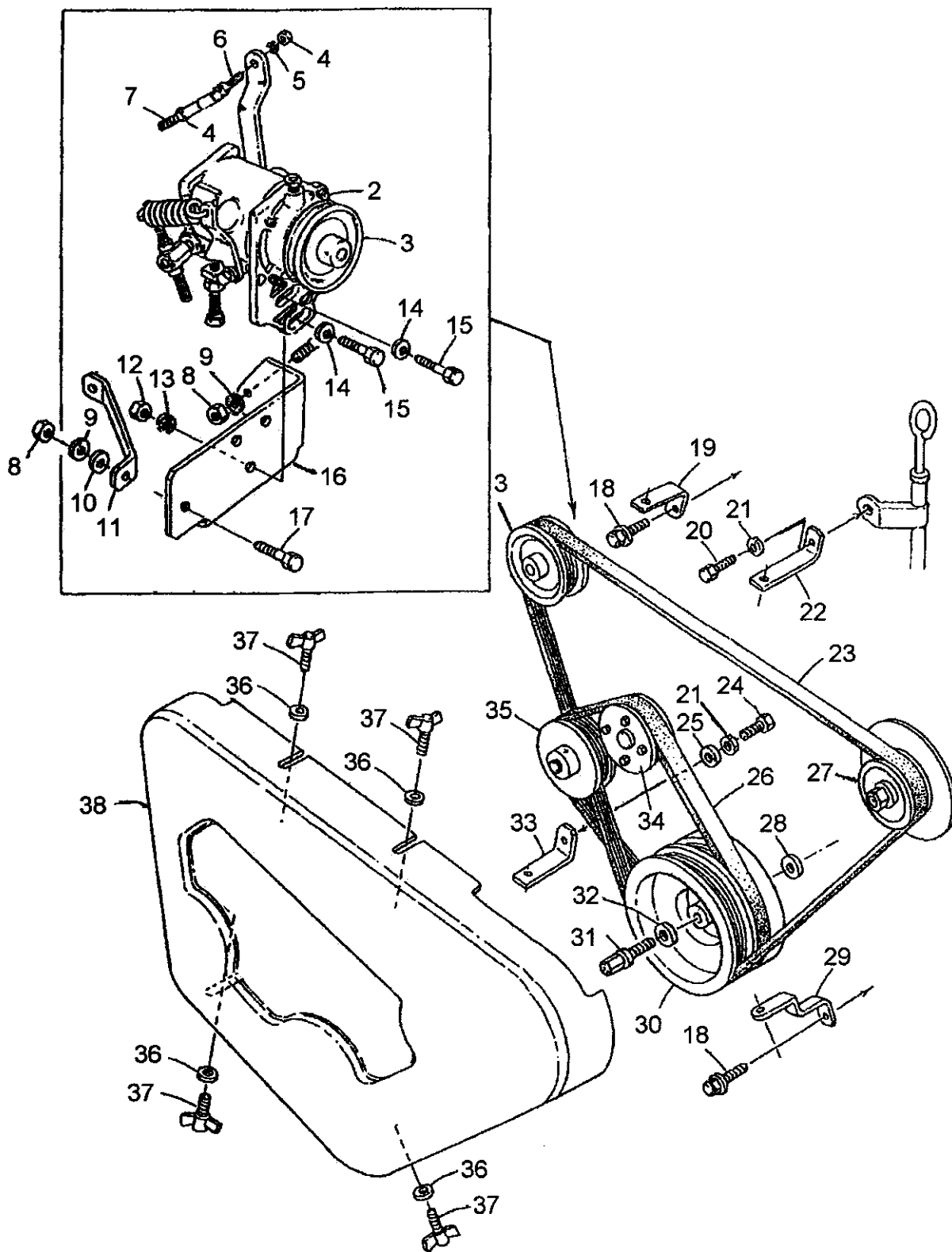
# GENERATOR CONTROL PANEL - 8.0 - 15.0 BEG



## GENERATOR CONTROL PANEL - 8.0 - 15.0 BEG

Reference #	Part #	Part Name	Remarks	Quantity
1	046361	PANEL	GENSET CONTROL	1
2	046366	BOX	GENSET CONTROL PANEL	1
3	046802	GROMMET		1
4	031871	SCREW	10-32 X 3/8 SS	2
5	036737	CONNECTOR	BOX 1-1/4" INSULATED	1
6	039082	GUARD	CIRCUIT BREAKER HANDLE	1
7	031852	SCREW	6-32 X 1/4 SS BINDING HEAD	8
8	031840	LOCKWASHER	6 INT TOOTH SS	4
9	031891	SCREW	8-32 X 3/8 TRUSS HEAD SS	12
10	031501	CAPSCREW	1/4NC X 1/2	2
11	031752	LOCKWASHER	1/4	6
12	031753	WASHER	FLAT 1/4	4
13	020628	CAPSCREW	M6 X 25 DIN 933	2
14	045545	NUT	M 6 KEPS	2
15	046446	REGULATOR	VOLTAGE BE VR3.1	1
16	031500	CAPSCREW	1/4NC X 3/8	3
17	031855	SCREW	6-32 X 5/8 SS BINDING HEAD	8
18	043086	TERMINAL	BATTERY CHARGER OUT	3
19	031502	CAPSCREW	1/4NC X 5/8	1
20	046367	COVER	CONTROL BOX	1
21	050212	BUSHING	SNAP NYLON	1
22-1	042715	BREAKER	CIRCUIT 35 AMP 2 POLE - 8.0 BEG 50/60HZ	1
22-2	043294	BREAKER	CIRCUIT 30 AMP 2 POLE - 6.4 BEG 50 HZ	1
22-3	042716	BREAKER	CIRCUIT 50 AMP 2 POLE - 10.0 BEG 50/60HZ	1
22-4	042717	BREAKER	CIRCUIT 80 AMP 2 POLE - 12.0 50HZ & 12.5 60HZ	1
22-5	042718	BREAKER	CIRCUIT 70 AMP 2 POLE - 15.0 BEG 60HZ	1
23	046728	CONNECTOR	MALE W/JUMPERS	1
24	046437	CONNECTOR	FEMALE-SRC GAS PANEL	1
25	200125	NUT	10-32 KEPS	2
26	050374	MARKER	TERMINAL BLOCK	1
27-1	035699	TERMINAL	16-14 GA 6 SNAP SPADE	2
27-2	041081	DIODE		1
28	048262	SWITCH	TOGGLE - 2 CIRCUIT CHROME BAT	1
29	048261	SWITCH	TOGGLE - SPST 15 AMP MOM ON	1
30	033767	HOLDER	FUSE WITH P/N 033769 8 AMP FUSE	1
32	031853	SCREW	6-32 X 3/8	2
33	042388	HOURMETER	12-24 VDC	1
34	050234	NUT	6-32 KEPS	10
35	046208	COVER	CONTROL BOX	1
36	015223	JUMPER	TERMINAL BLOCK	2
37	015222	SCREW PLATE	TERMINAL BLOCK	4
38	050201	BLOCK	TERMINAL	1
39	037833	RELAY	12 VDC	2
40	023937	BUSHING		2
41-1	046033	HARNESS	GENSET	1
41-2	046093	HARNESS	GEN PANEL 46361	1
42	019121	BLOCK	TERMINAL	1
43	019122	MARKER	TERMINAL BLOCK	1
44	041196	SHUTDOWN	OVERSPEED	1
45	043751	CAPACITOR ASSY	35 VDC	1
46	031841	LOCKWASHER	6 INT TOOTH	4
47	043908	STANDOFF		2
48	043749	CAPACITOR	1000 MFD - 35 VDC	1

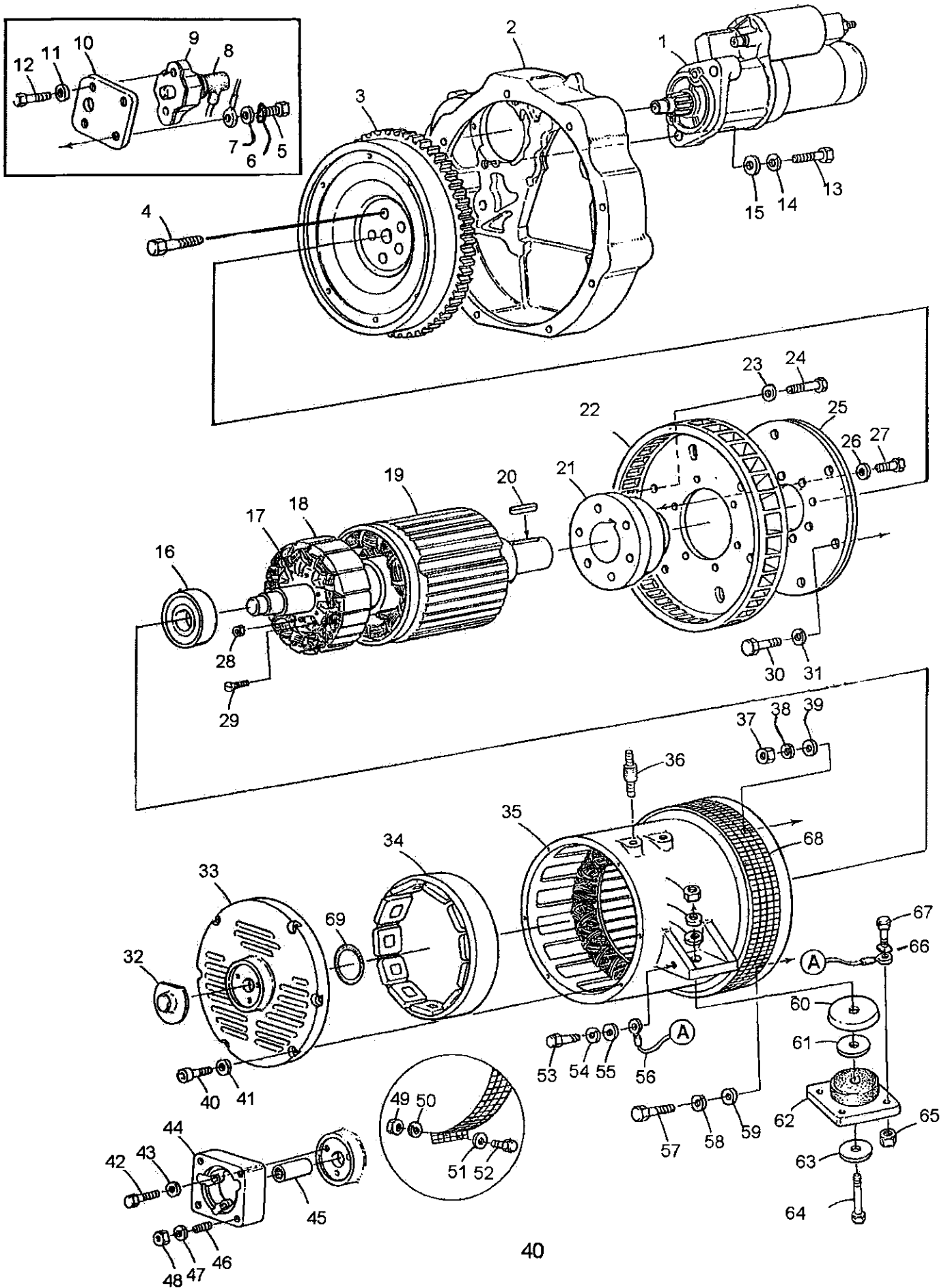
# GOVERNOR, PULLEYS, BELTS & BELT GUARD - 8.0 - 15.0 BEG



## GOVERNOR, PULLEYS, BELTS & BELT GUARD - 8.0 - 15.0 BEG

Reference #	Part #	Part Name	Remarks	Quantity
1	046225	GOVERNOR ASSY	MECHANICAL INCL. REF #S 3 THRU 6	1
2	046224	GOVERNOR	MECHANICAL 46225	1
3	042771	PULLEY	GOVERNOR	1
4	031847	NUT	10-32 SS HEX	2
5	031849	LOCKWASHER	10 SS	1
6	019364	BALL JOINT		1
7	036423	ROD	GOVERNOR TO CARBURETOR	1
8	018242	NUT	M8 DIN 934	2
9	031786	LOCKWASHER	M8 DIN 127	2
10	031787	WASHER	M8 DIN 125	1
11	046418	BRACKET	GOVERNOR SUPPORT	1
12	015887	NUT	M10 DIN 934	3
13	019262	LOCKWASHER	M10 DIN 127	3
14	031789	WASHER	M10 DIN 125	3
15	034589	CAPSCREW	M10 X 30 DIN 933	3
16	046068	BRACKET	GOVERNOR	1
17	013630	CAPSCREW	M8 X 25 DIN 933	1
18	048462	CAPSCREW	M 6 X 18 JIS FLANGE 7T	2
19	046351	BRACKET	BELT GUARD	1
20	020628	CAPSCREW	M6 X 25 DIN 933	1
21	031783	LOCKWASHER	M6 DIN 127	2
22	038130	BRACKET	BELT GUARD	1
23	046026	BELT	POLY-V 3 GROOVE - 52.25 INCHES LONG	1
24	017012	CAPSCREW	M6 X 16 DIN 933	1
25	031753	WASHER	FLAT 1/4	1
26	046025	BELT	POLY-V 3 GROOVE - 32.50 INCHES LONG	1
27	046065	PULLEY	ALTERNATOR 3 GR POLY-V	1
28	046539	WASHER	CRANKSHAFT PULLEY	1
29	046352	BRACKET	BELT GUARD	1
30-1	046067	PULLEY	CRANKSHAFT 2 GR POLY-V TO MARCH 2003	1
30-2	047658	PULLEY	CRANKSHAFT 2 GR POLY-V FROM MARCH 2003	1
31-1	048451	BOLT	CRANKSHAFT PULLEY M12 X 46 TO MARCH 200	1
31-2	048540	BOLT	CRANKSHAFT PULLEY M14 X 1.5 FROM MARCH	1
32	031798	WASHER	M14 DIN 125	1
33	033227	BRACKET	BELT GUARD	1
34	046064	PULLEY	FRESH WATER PUMP 3GR POLY-V	1
35	046099	PULLEY	SEA WATER PUMP	1
36	033372	WASHER	FLAT	4
37	033228	SCREW	WING 10-32 X 1/2	4
38	046172	GUARD	BELT	1

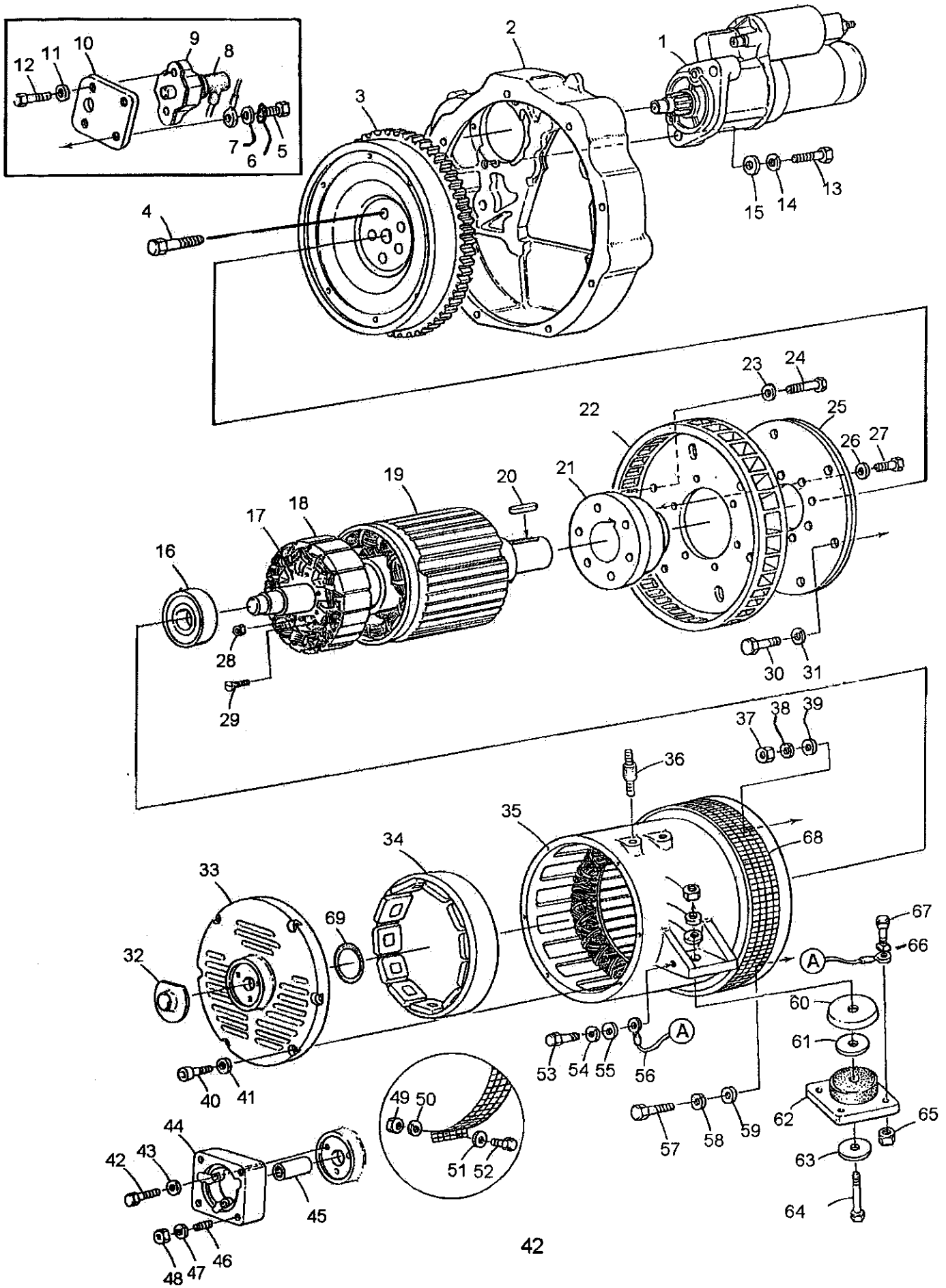
# GENERATOR BACK END 8.0 - 15.0 BEG



## GENERATOR BACK END - 8.0 - 15.0 BEG

Reference #	Part #	Part Name / Remarks	Quantity
1-1	034552	MOTOR,STARTER 12VDC	1
1-2	036218	SOLENOID,STARTER 34552	1
2	045558	HOUSING,FLYWHEEL	1
3	045298	FLYWHEEL ASSEMBLY (Inc. ring gear 30230)	1
4	033279	BOLT,FLYWHEEL	5
5	017012	CAPSCREW M 6x16	2
6	031783	LOCKWASHER M 6	2
7	031784	WASHER M 6	2
8	035449	BOOT,TERMINAL	2
9	024683	BREAKER,CIRCUIT 20 AMP (12V)	1
10	046227	BRACKET,CIRCUIT BREAKER	1
11	031843	WASHER,FLAT 8	2
12	043480	SCREW 8-32x7/8	2
13	034589	CAPSCREW M10x30 DIN 933	2
14	019262	LOCKWASHER M10 DIN 127	2
15	031789	WASHER M10 DIN 125	2
16	037460	BEARING,BALL	1
17	047868	RECTIFIER	1
18	NA	ROTOR, EXCITER	1
19-1	048550	ARMATURE ASSEMBLY 8.0 BEG TO 256991	1
19-2	048559	ARMATURE ASSEMBLY 10.0 BEG TO 257005	1
19-3	048561	ARMATURE ASSEMBLY 12.5 BEG TO 256769	1
19-4	048557	ARMATURE ASSEMBLY 15.0 BEG TO 257077	1
20	048563	KEY,HUB TO ARMATURE	1
21	048564	HUB,DRIVE DISC TO ARMATURE	1
22	048573	FAN,ALTERNATOR	1
23			
24			
25	047862	DISC,DRIVE	1
26			
27			
28			
29			
30	017196	CAPSCREW M 8x20 DIN 933	8
31	031786	LOCKWASHER M 8 DIN 127	8
32	036701	COVER,PTO SHAFT BT-10-15KW	1
33	048574	COVER,GENERATOR END 8-15 BEG	1
34			
35-1	045326	GENERATOR 8.0 BEG C TO 256991	
35-2	045327	GENERATOR 10.0 BEG C TO 257005	
35-3	045328	GENERATOR 12.5 BEG C TO 256769	
35-4	045329	GENERATOR 15.0 BEG C TO 257077	
36	036652	ISOLATOR,PANEL MOUNT M6 STUD	4
37	018242	NUT M 8 DIN 934	
38	031786	LOCKWASHER M 8 DIN 127	
39	031787	WASHER M 8 DIN 125	
40			
41			

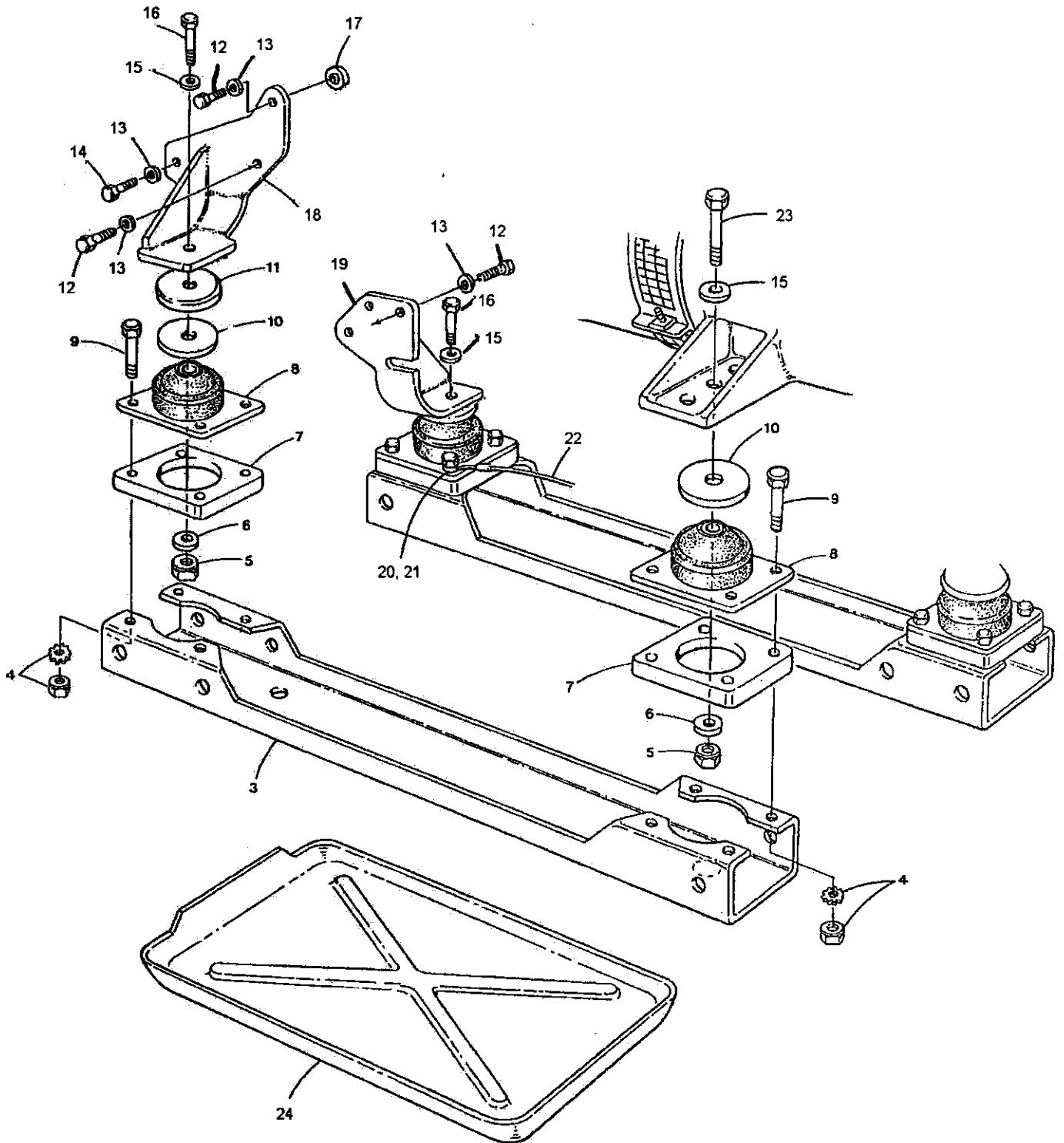
# GENERATOR BACK END 8.0 - 15.0 BEG



## GENERATOR BACK END - 8.0 - 15.0 BEG

Reference #	Part #	Part Name / Remarks	Quantity
42	013589	CAPSCREW M12x40 DIN 933	3
43	031792	LOCKWASHER M12 DIN 127	3
44	034738	ADAPTER,BT GEN-PTO SAE B	1
45-1	034737	DRIVE,BT-PTO B SPLINE (M18 X 1.5 Thread)	1
45-2	037188	DRIVE,BT PTO B SPLINE (M27 X 1.5 Thread)	1
46	034867	STUD 1/2NCx2-3/16	4
47	031776	LOCKWASHER 1/2 SPLIT MED STEEL	4
48	031774	NUT 1/2-13 NC HEX STEEL ZINC	4
49			
50			
51			
52			
53			
54			
55			
56			
57			
58	019262	LOCKWASHER M10 DIN 127	8
59	031789	WASHER M10 DIN 125	8
60			
61			
62			
63			
64			
65			
66	031759	WASHER,FLAT 5/16 SAE STEEL	16
67	031555	CAPSCREW 5/16NCx1	16

# MOUNT & RAIL ASSEMBLIES - 8.0 - 15.0 BEG



## MOUNT & RAIL ASSEMBLIES - 8.0 - 15.0 BEG

Reference #	Part #	Part Name	Remarks	Quantity
1	046034	RAIL ASSEMBLY	LEFT	1
2	046035	RAIL ASSEMBLY	RIGHT	1
3	043659	RAIL	GENSET	2
4	200127	NUT	5/16NC KEPS	8
5	031774	NUT	1/2NC HEX STEEL ZINC	4
6	031776	LOCKWASHER	1/2 SPLIT MED STEEL	4
7	033574	SPACER	ISOLATOR TO RAIL	2
8	021529	ISOLATOR	GENERATOR	2
9	031554	CAPSCREW	5/16NC X 7/8	7
10	024674	WASHER	ISOLATOR SNUBBING	8
11	033530	SHIELD	ISOLATOR	2
12	031228	CAPSCREW	M10 X 1.25 X 30 DIN 961	3
13	019262	LOCKWASHER	M10 DIN 127	4
14	024952	CAPSCREW	M10 X 1.25 X 25 DIN 961	1
15	031777	WASHER	FLAT 1/2	4
16	031712	CAPSCREW	1/2NC X 2-3/4	2
17	031789	WASHER	M10 DIN 125	1
18	046095	MOUNT	FRONT LEFT	1
19	046096	MOUNT	FRONT RIGHT	1
20	031759	WASHER	FLAT 5/16	1
21	031555	CAPSCREW	5/16NC X 1	1
22	034593	STRAP	GROUND	1
23	031713	CAPSCREW	1/2NC X 3	2
24	037378	DRIPTRAY		1

## MISCELLANEOUS - 8.0 - 15.0 BEG

Reference #	Part #	Part Name	Remarks	Quantity
1	046620	KIT A	SPARE PARTS - 8.0 - 15.0 BEG	1
2	046621	KIT B	SPARE PARTS - 8.0 - 15.0 BEG	1
3	046618	GASKET SET	UPPER 8.0 - 15.0 BEG	1
4	046619	GASKET SET	COMPLETE 8.0 - 15.0 BEG	1
5	024177	TANK KIT	REMOTE FRESH WATER EXPANSION	1
6	013758	PAINT	RED-AEROSOL SPRAY CAN	1
7-1	033703	PANEL	REMOTE START-STOP	1
7-2	036055	PANEL	REMOTE INSTRUMENT INCLUDING SENDERS	1
7-3	043912	PANEL	REMOTE CONTROL	1
8	046094	DIAGRAM	GENSET WIRING 8.0 - 15.0 BEG	1



046619

GASKET SET, COMPLETE 8-15 BEG

PART NUMBER/ DESCRIPTION	QTY PER
032908 O-RING,OIL COOLER W100,108B	1.000 EA
033417 GASKET,THERMOSTAT HOUSING	1.000 EA
033885 CAP,VINYL .125 ID,0.50 INT LG	1.000 EA
035293 GASKET,CARBURETOR TO MANIFOLD	1.000 EA
036493 WASHER 1.00OD,0.708ID,0.062TK	1.000 EA
037393 SEAL,LEAD WIRE	1.000 EA
046123 GASKET,EXHAUST ELBOW-MAN 4.37"	1.000 EA
046218 GASKET,INTAKE MANIFOLD 4G15	1.000 EA
046219 GASKET,EXHAUST MANIFOLD 4G15	1.000 EA
046245 WASHER 1.00OD,0.552ID,0.187TK	1.000 EA
046595 GASKET,ROCKER COVER	1.000 EA
046597 GASKET,PCV VALVE	1.000 EA
046598 GASKET,LIFT PUMP COVER 8-15BEG	1.000 EA
046599 SEAL,OIL CAMSHAFT	1.000 EA
046600 GASKET,HEAD	1.000 EA
046601 O-RING,DIPSTICK TUBE	1.000 EA
046602 O-RING,DISTRIBUTOR	1.000 EA
046603 SEAL,VALVE STEM INTAKE	8.000 EA
046604 SEAL,VALVE STEM EXHAUST	4.000 EA
046605 GASKET,TIMING BELT COVER	1.000 EA
046606 GASKET,TIMING BELT COVER	1.000 EA
046607 GASKET,TIMING BELT COVER	1.000 EA
046608 GASKET,TIMING BELT COVER	1.000 EA
046609 GASKET,TIMING BELT COVER	1.000 EA
046610 GASKET,TIMING BELT COVER	1.000 EA
046611 GASKET,OIL SEAL FLANGE	1.000 EA
046612 SEAL,OIL CRANKSHAFT REAR	1.000 EA
046613 GASKET,TIMING COVER PLUG	1.000 EA
046614 GASKET,STRAINER TO OIL PUMP	1.000 EA
046615 SEAL,OIL CRANKSHAFT FRONT	1.000 EA
046616 O-RING,OIL PUMP 8-15 BEG	1.000 EA
048534 SEAL,OIL CRANKSHAFT FRONT	1.000 EA
052366 GASKET,CARBURETOR TO MANIFOLD	1.000 EA
052377 GASKET,CARB ADPTR TO MANIFOLD	1.000 EA

R.C.B. 06 20 07



046618 GASKET SET,UPPER 8-15 BEG

PART NUMBER/DESCRIPTION	QTY PER
033417 GASKET,THERMOSTAT HOUSING	1.000 EA
033885 CAP,VINYL .125 ID,0.50 INT LG	1.000 EA
035293 GASKET,CARBURETOR TO MANIFOLD	1.000 EA
046123 GASKET,EXHAUST ELBOW-MAN 4.37"	1.000 EA
046218 GASKET,INTAKE MANIFOLD	1.000 EA
046219 GASKET,EXHAUST MANIFOLD	1.000 EA
046595 GASKET,ROCKER COVER	1.000 EA
046597 GASKET,PCV VALVE	1.000 EA
046598 GASKET,LIFT PUMP COVER 8-15BEG	1.000 EA
046599 SEAL,OIL CAMSHAFT	1.000 EA
046600 GASKET,HEAD	1.000 EA
046602 O-RING,DISTRIBUTOR	1.000 EA
046603 SEAL,VALVE STEM INTAKE	8.000 EA
046604 SEAL,VALVE STEM EXHAUST	4.000 EA
046605 GASKET,TIMING BELT COVER	1.000 EA
046606 GASKET,TIMING BELT COVER	1.000 EA
046607 GASKET,TIMING BELT COVER	1.000 EA
046608 GASKET,TIMING BELT COVER	1.000 EA
052366 GASKET,CARBURETOR TO MANIFOLD	1.000 EA
052377 GASKET,CARB ADPTR TO MANIFOLD	1.000 EA

R.C.B. 06 20 07



**KIT PN 52700,CARBURETOR 52315-17-52563**

Part number / description	Qty.
NA SEAL, THROTTLE SHAFT (TWO PART)	1
NA NEEDLE & SEAT (For float, includes gasket, spring and rod.)	1
NA FLOAT, & AXLE	1
NA RETAINER, FLOAT AXLE	1
NA GASKET, FLOAT CHAMBER	1
NA IDLE NEEDLE ADJ.	1
NA O'RING, VENTURI	1

Note; Kit includes float adjustment tool and instructions.

06/20/07 R.C.B.

