

PARTS LIST

WESTERBEKE

60 Hz

**5.0 BCG / BCGA
7.0 BCGC / BCGD**

50 Hz

**4.2 BCG / BCGA
5.8 BCGC / BCGD**

Marine Gasoline Generators

LOW PROFILE

PRELIMINARY PUBLICATION

1/19/2012



IMPORTANT

PRODUCT SOFTWARE DISCLAIMER

Product software of all kinds such as brochures, drawings, technical data, operator's and workshop manuals, parts lists and parts price lists, and other information, instructions and specifications provided from sources other than Westerbeke, is not within Westerbeke's control and, accordingly, is provided to Westerbeke customers only as a courtesy and service. Westerbeke cannot be responsible for the content of such software, makes no warranties or representations with respect thereto, including the accuracy, timeliness or completeness thereof, and will in no event be liable for any type of damages or injury incurred in connection with, or arising out of, the furnishing or use of such software.

For example, components and subassemblies incorporated in Westerbeke's products and supplied by others (such as engine blocks, fuel systems and components, transmissions, electrical components, pumps and other products) are generally supported by their manufacturers with their own software, and Westerbeke must depend on such software for the design of Westerbeke's own product software. Such software may be outdated and no longer accurate. Routine changes made by Westerbeke's suppliers, of which Westerbeke rarely has notice in advance, are frequently not reflected in the supplier's software until after such changes take place.

Westerbeke customers should also keep in mind the time span between printings of Westerbeke product software, and the unavoidable existence of earlier, non-current Westerbeke software editions in the field. Additionally, most Westerbeke products include customer-requested special features that frequently do not include complete documentation.

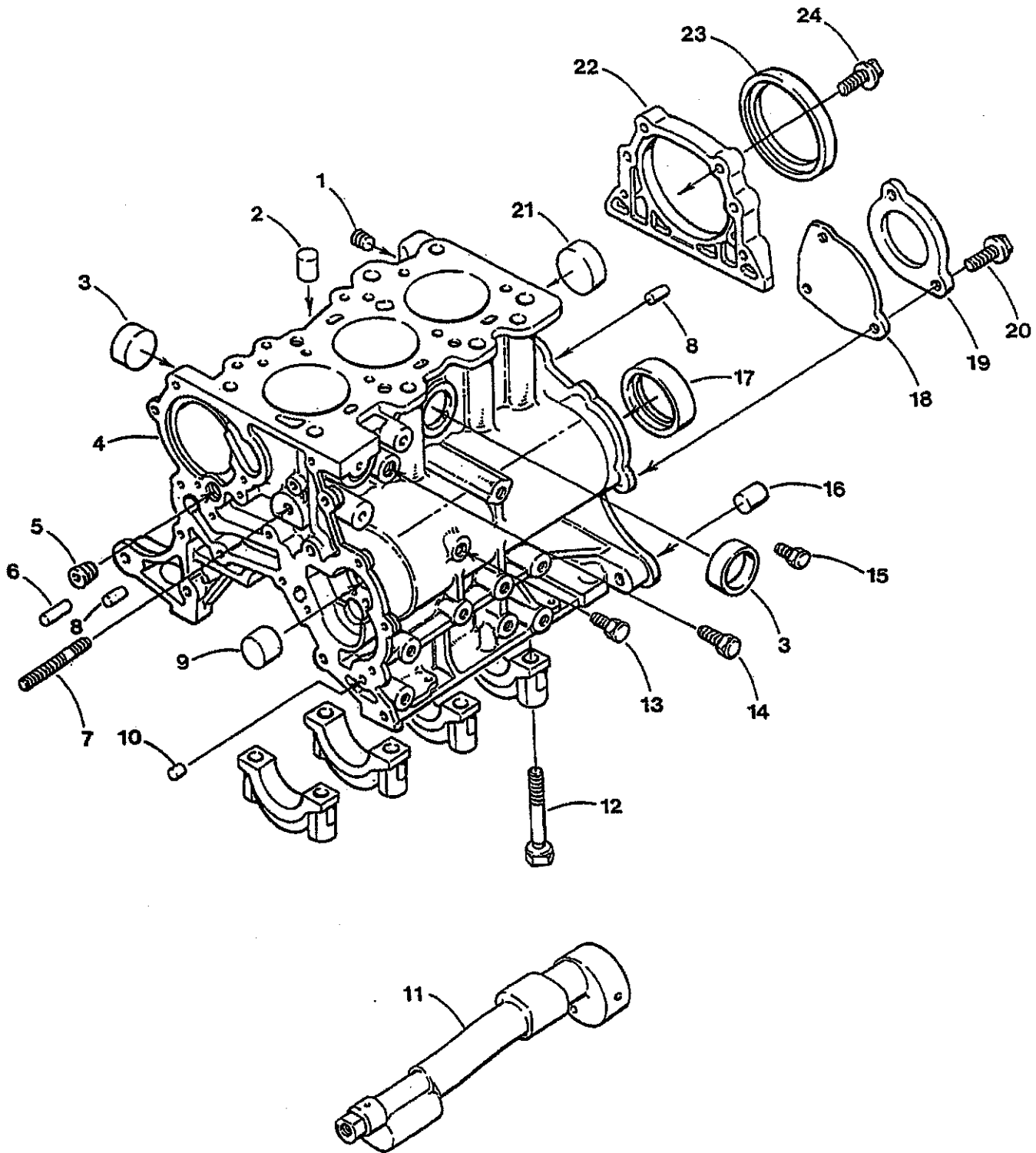
In summation, product software provided with Westerbeke products, whether from Westerbeke or other suppliers, must not and cannot be relied upon exclusively as the definitive authority on the respective product. It not only makes good sense but is imperative that appropriate representatives of Westerbeke or the supplier in question be consulted to determine the accuracy and currency of the product software being consulted by the customer.

This Parts List covers a family of generators where most of the parts are common, however be sure to note the proper parts for your application. Also references in the book refer to the 60 Hertz model but are applicable for the corresponding 50 Hertz model listed in the chart below.

| | |
|------------------------|------------------------|
| 60 Hz | 50 Hz |
| 5.0 BCG / BCGA | 4.2 BCG / BCGA |
| 7.0 BCGC / BCGD | 5.9 BCGC / BCGD |

| PAGE | DESCRIPTION |
|-------------|--|
| 100 | CYLINDER BLOCK |
| 102 | CYLINDER HEAD |
| 104 | CRANKSHAFT - PISTONS |
| 106 | ROCKER SHAFT - CAMSHAFT |
| 108 | TIMING BELT COVER |
| 110 | TIMING CASE - LUBE OIL PUMP |
| 112 | LUBE OIL FILTER - SUMP - FRONT MOUNTS |
| 114 | EXHAUST MANIFOLD |
| 116 | FRESH WATER COOLING SYSTEM |
| 118 | SEA WATER SYSTEM |
| 120 | SEA WATER PUMP |
| 122 | BELL HOUSING - FLYWHEEL |
| 124 | FUEL LIFT PUMP - FUEL FILTER |
| 126 | DISTRIBUTOR - COIL - SPARKPLUGS |
| 128 | DISTRIBUTOR |
| 130 | INTAKE MANIFOLD |
| 132 | AIR INTAKE - CARBURETOR MOUNTING |
| 134 | CARBURETOR |
| 136 | BACK END - GENERATOR - REAR MOUNTS (5.0 BCGA / 7.0 BCGC) |
| 138 | BACK END - GENERATOR - REAR MOUNTS (5.0 BCG / 7.0 BCGD) |
| 140 | PANEL BOX ASSEMBLY |
| 142 | PANEL BOX ASSEMBLY |
| 144 | REMOTE CONTROL PANEL |
| 146 | REMOTE LUBE OIL FILTER |
| 148 | MISCELLANEOUS |

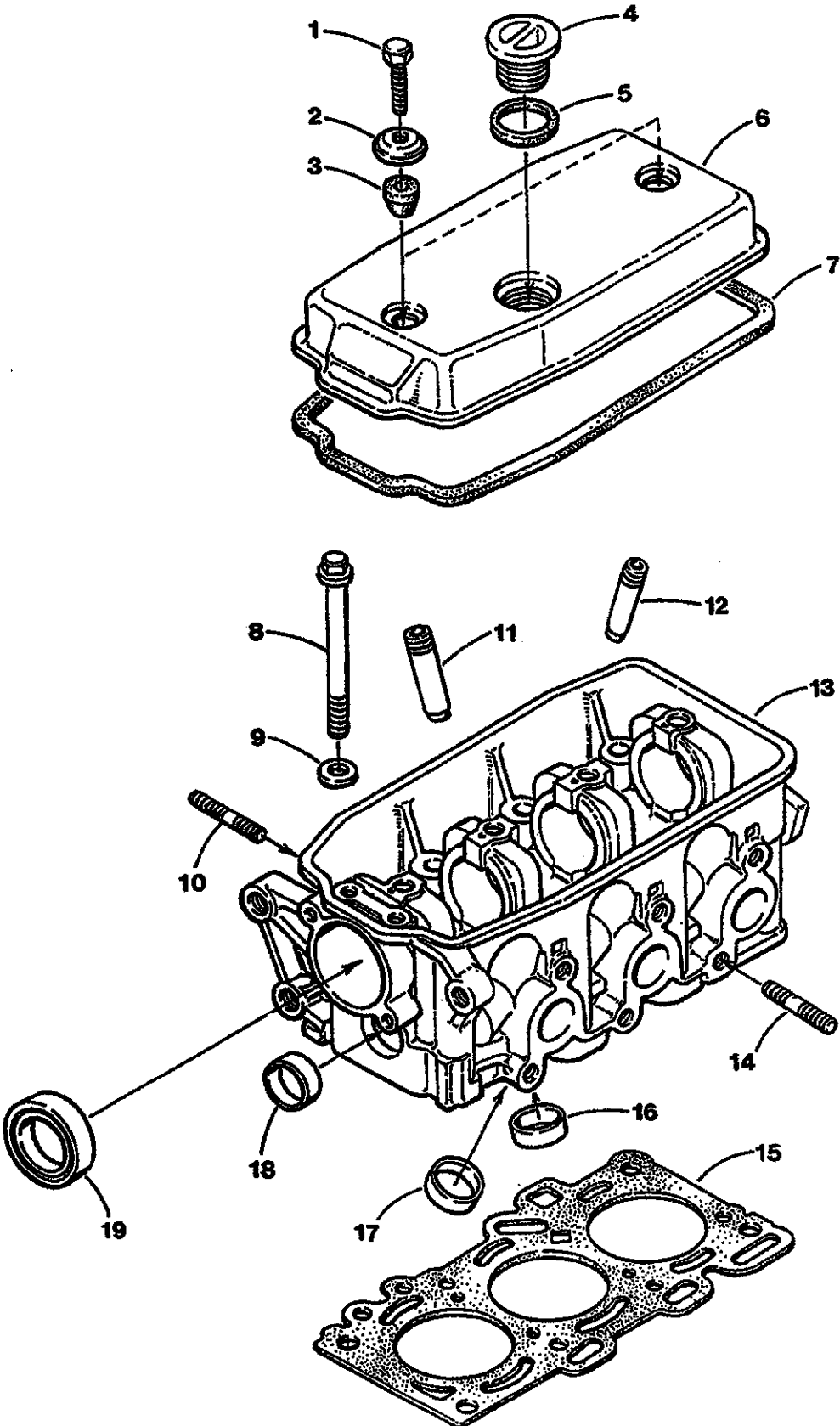
WESTERBEKE LOW PROFILE GENERATOR - CYLINDER BLOCK



WESTERBEKE LOW PROFILE GENERATOR - CYLINDER BLOCK

| REF | PN | NAME / REMARKS | QUAN |
|-----|--------|--------------------------------|------|
| 1 | 030711 | PLUG 1/8-28 BSPT | 1 |
| 2 | 043070 | DOWEL,TUBULAR | 2 |
| 3 | 024374 | PLUG,EXPANSION 30 MM DIN 443 | 3 |
| 4 | 043651 | ENGINE,BLOCK ASSY 4.5-9.6 BCGT | 1 |
| 5 | 030712 | PLUG 1/4-19 BSPT | 1 |
| 6 | 042981 | DOWEL | 1 |
| 7 | 031282 | STUD M 8x45 DIN 939 | 1 |
| 8 | 041417 | DOWEL 6MM x 14MM DIN 6325 | 3 |
| 9 | 043002 | BEARING,BALANCE SHAFT FRONT | 1 |
| 10 | 033212 | DOWEL,TUBULAR | 4 |
| 11 | 043047 | SHAFT,BALANCE | 1 |
| 12 | 036916 | BOLT,MAIN BEARING CAP | 8 |
| 13 | 030711 | PLUG 1/8-28 BSPT | 1 |
| 14 | 013341 | PLUG 1/4 NPT | 1 |
| 15 | 042945 | PLUG 1/16 BSPT | 1 |
| 16 | 043070 | DOWEL,TUBULAR | 2 |
| 17 | 043003 | BEARING,BALANCE SHAFT REAR | 1 |
| 18 | 043027 | GASKET,BALANCE SHAFT COVER | 1 |
| 19 | 042970 | COVER,BALANCE SHAFT REAR | 1 |
| 20 | 033669 | CAPSCREW M 6x16 JIS-FLANGE | 3 |
| 21 | 024349 | PLUG,EXPANSION 35 MM DIN 443 | 1 |
| 22 | 042976 | FLANGE,OIL SEAL REAR CRANK | 1 |
| 23 | 043046 | SEAL,OIL | 1 |
| 24 | 033669 | CAPSCREW M 6x16 JIS-FLANGE | 4 |

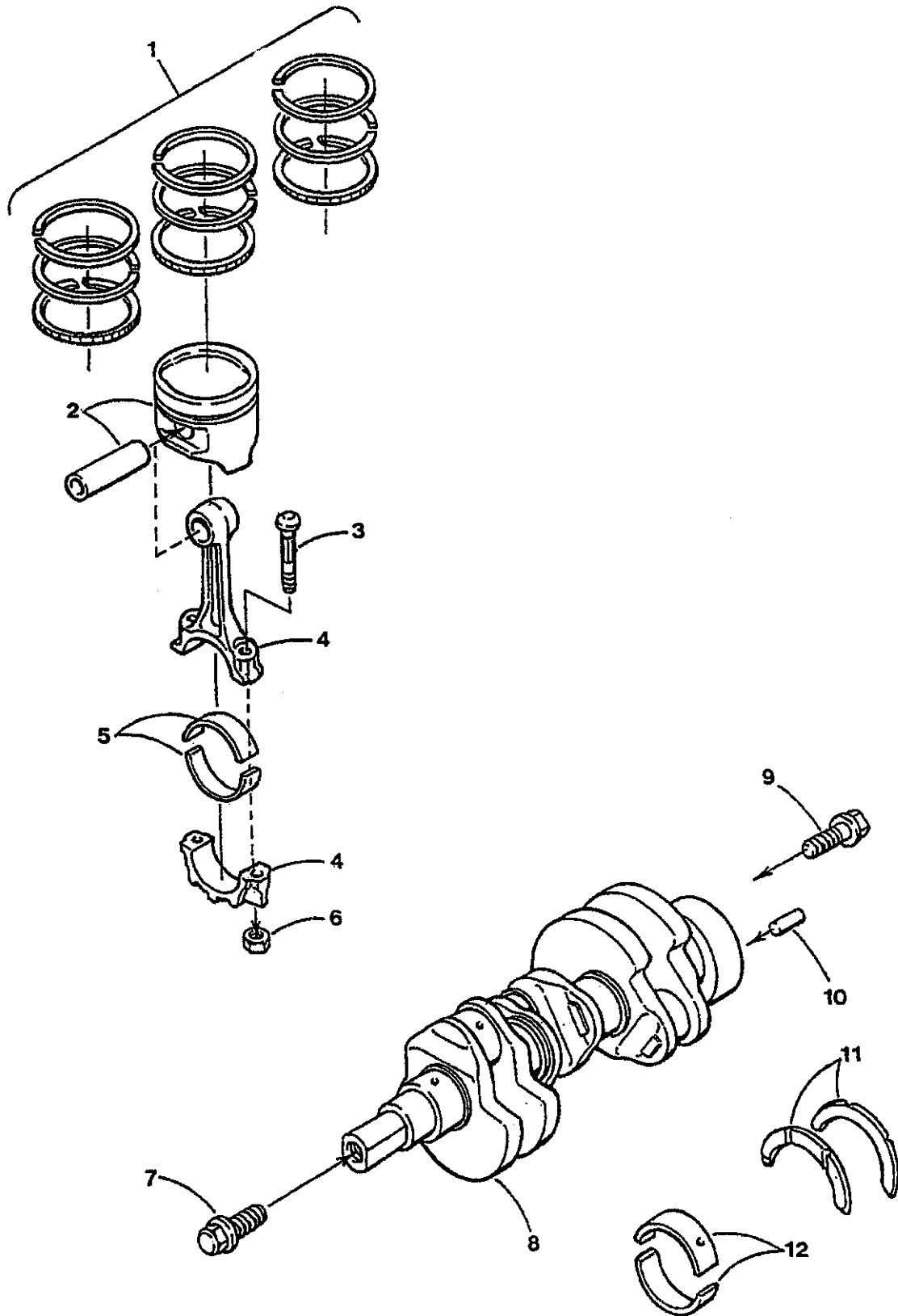
WESTERBEKE LOW PROFILE GENERATOR - CYLINDER HEAD



WESTERBEKE LOW PROFILE GENERATOR - CYLINDER HEAD

| REF | PN | NAME / REMARKS | QUAN |
|------|--------|---------------------------|------|
| 1 | 043062 | CAPSCREW M 6x25 | 2 |
| 2 | 042975 | WASHER,ROCKER COVER SCREW | 2 |
| 3 | 042960 | SEAL,OIL-ROCKER COVER | 2 |
| 4 | 042271 | CAP,OIL FILL | 1 |
| 5 | 042431 | GASKET,OIL FILL CAP | 1 |
| 6 | 046799 | COVER,ROCKER | 1 |
| 7 | 042688 | GASKET,ROCKER COVER | 1 |
| 8 | 042968 | BOLT,CYLINDER HEAD | 8 |
| 9 | 042946 | WASHER,CYLINDER HEAD BOLT | 8 |
| 10-1 | 015830 | STUD M 8x25 (INTAKE) | 8 |
| 10-2 | 031787 | WASHER M 8 (FLAT) | 8 |
| 10-3 | 031786 | LOCKWASHER M 8 | 8 |
| 10-4 | 018242 | NUT M 8 | 8 |
| 11-1 | 042955 | GUIDE,VALVE INTAKE 0.05 | 3 |
| 11-2 | 042956 | GUIDE,VALVE INTAKE 0.25 | 3 |
| 11-3 | 042957 | GUIDE,VALVE INTAKE 0.50 | 3 |
| 12-1 | 042949 | GUIDE,VALVE EXHAUST 0.05 | 3 |
| 12-2 | 042950 | GUIDE,VALVE EXHAUST 0.25 | 3 |
| 12-3 | 042951 | GUIDE,VALVE EXHAUST 0.50 | 3 |
| 13 | 043028 | HEAD,CYLINDER | 1 |
| 14 | 015830 | STUD M 8x25 (EXHAUST) | 6 |
| 15 | 043029 | GASKET,HEAD | 1 |
| 16-1 | 042982 | SEAT,VALVE INTAKE 0.30 | 3 |
| 16-2 | 042983 | SEAT,VALVE INTAKE 0.60 | 3 |
| 17-1 | 043000 | SEAT,VALVE EXHAUST 0.30 | 3 |
| 17-2 | 043001 | SEAT,VALVE EXHAUST 0.60 | 3 |
| 18 | 024374 | PLUG,EXPANSION 30 MM | 1 |
| 19 | 043017 | SEAL,OIL CAMSHAFT | 1 |

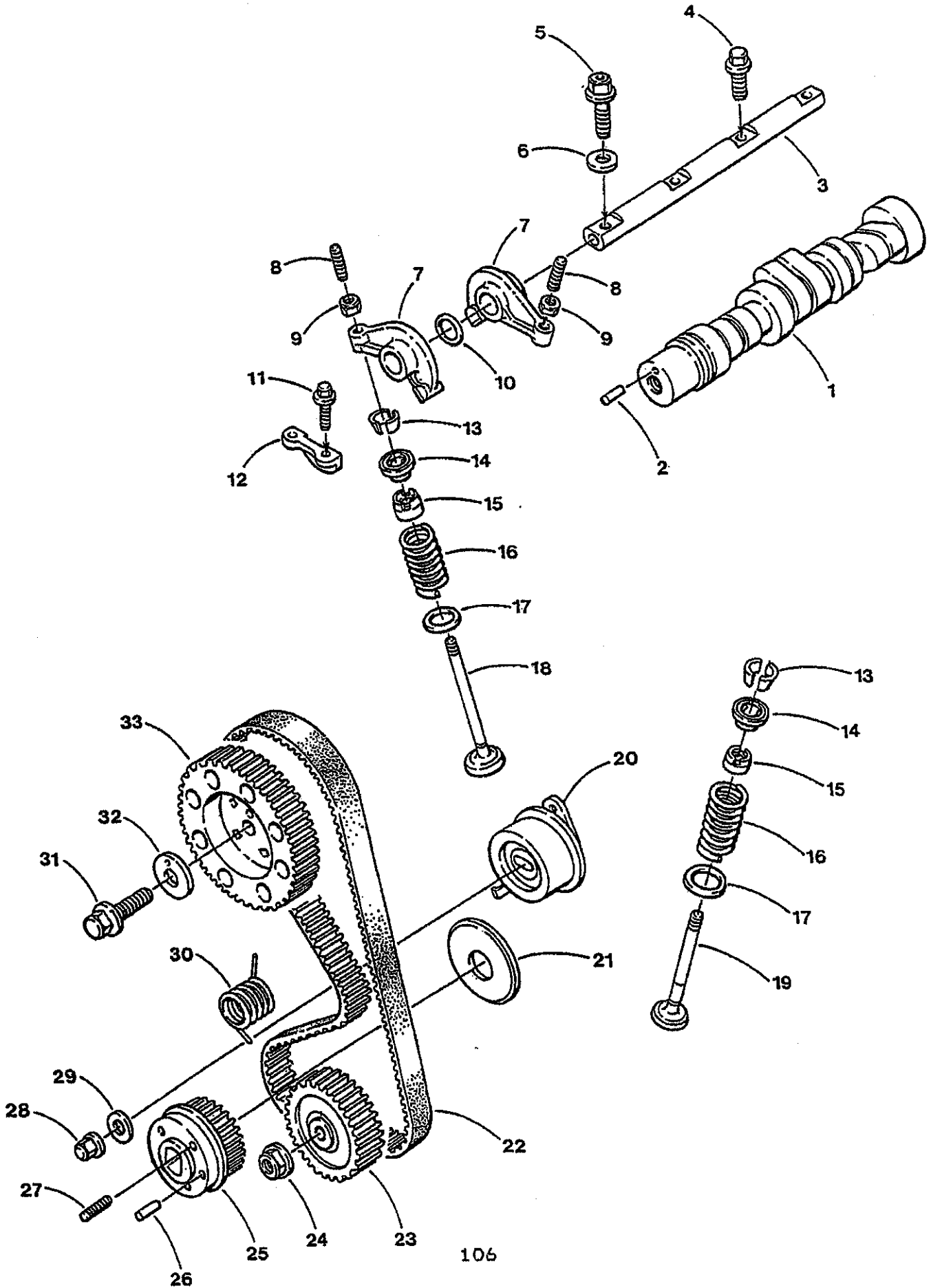
WESTERBEKE LOW PROFILE GENERATOR - CRANKSHAFT - PISTONS



WESTERBEKE LOW PROFILE GENERATOR - CRANKSHAFT - PISTONS

| REF | PN | NAME / REMARKS | QUAN |
|------|--------|--------------------------|------|
| 1-1 | 043014 | RING SET STD ENGINE SET | 1 |
| 1-2 | 043015 | RING SET 0.50 ENGINE SET | 1 |
| 1-3 | 043016 | RING SET 1.00 ENGINE SET | 1 |
| 2-1 | 043010 | PISTON STD | 3 |
| 2-2 | 043012 | PISTON 0.50 | 3 |
| 2-3 | 043013 | PISTON 1.00 | 3 |
| 3 | 043025 | BOLT,CONNECTING ROD | 6 |
| 4 | 043032 | ROD,CONNECTING | 3 |
| 5-1 | 043043 | BEARING,ROD BROWN | 3 |
| 5-2 | 043044 | BEARING,ROD COLORLESS | 3 |
| 5-3 | 043045 | BEARING,ROD BLUE | 3 |
| 6 | 043033 | NUT,CONNECTING ROD BOLT | 6 |
| 7 | 042980 | BOLT,CRANKSHAFT PULLEY | 1 |
| 8 | 043034 | CRANKSHAFT | 1 |
| 9 | 042964 | BOLT,FLYWHEEL | 5 |
| 10 | 041417 | DOWEL 6MM x 14MM | 1 |
| 11 | 043037 | THRUSTWASHER SET STD | 1 |
| 12-1 | 043038 | BEARING,MAIN BROWN | 4 |
| 12-2 | 043039 | BEARING,MAIN COLORLESS | 4 |
| 12-3 | 043040 | BEARING,MAIN BLUE | 4 |
| 12-4 | 043041 | BEARING,MAIN YELLOW | 4 |
| 12-5 | 043042 | BEARING,MAIN GREEN | 4 |

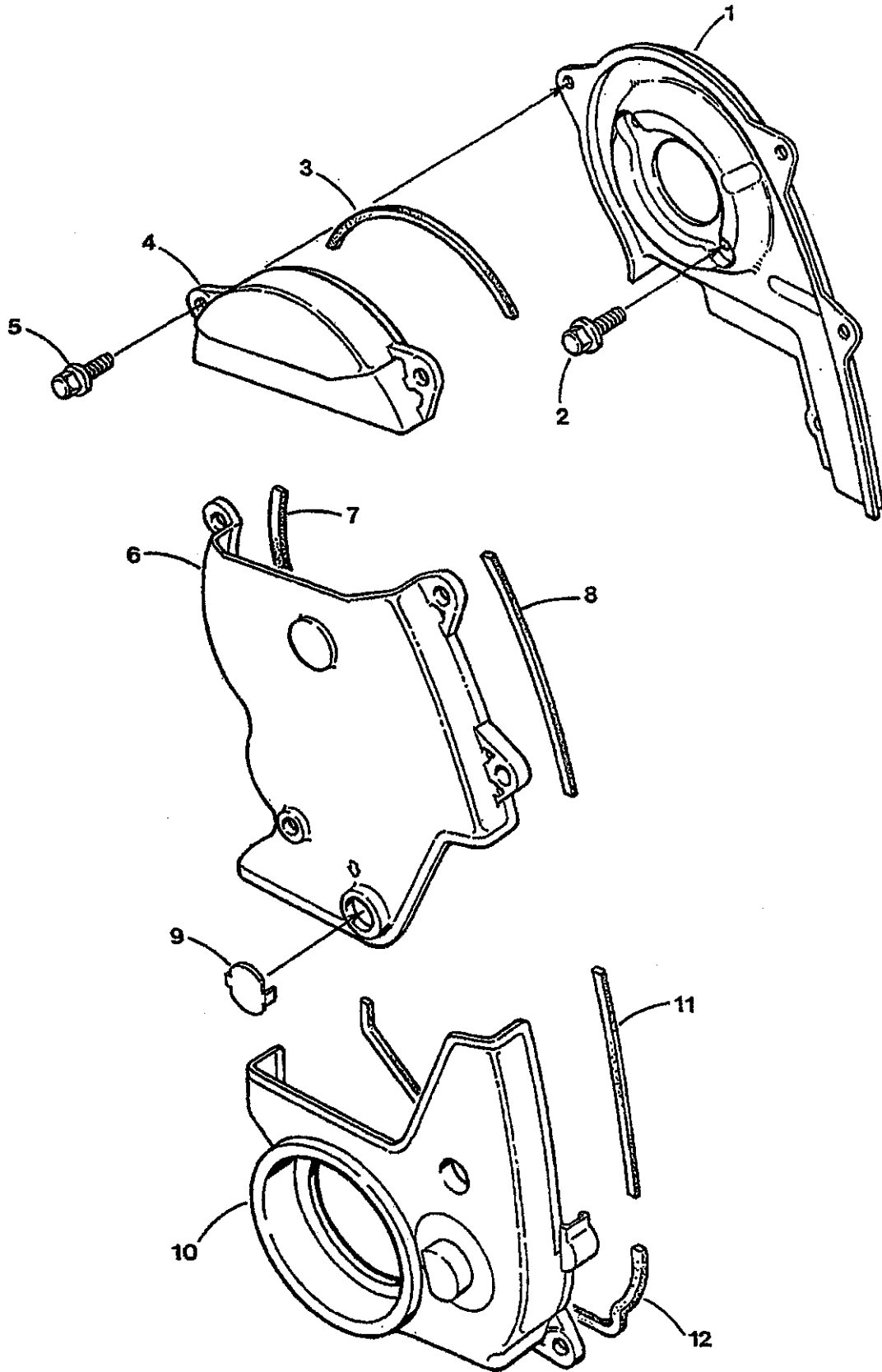
WESTERBEKE LOW PROFILE GENERATOR - ROCKER SHAFT - CAM SHAFT



WESTERBEKE LOW PROFILE GENERATOR - ROCKER SHAFT - CAM SHAFT

| REF | PN | NAME / REMARKS | QUAN |
|-----|--------|--------------------------------|------|
| 1 | 043023 | CAMSHAFT | 1 |
| 2 | 043011 | PIN,CAMSHAFT | 1 |
| 3 | 042994 | SHAFT,ROCKER | 1 |
| 4 | 042995 | BOLT,ROCKER SHAFT W/WASHER | 2 |
| 5 | 042992 | BOLT,ROCKER SHAFT | 2 |
| 6 | 042993 | WASHER,ROCKER SHAFT BOLT | 2 |
| 7 | 042971 | ROCKER | 6 |
| 8 | 042977 | SCREW,ROCKER ADJUSTING | 6 |
| 9 | 042948 | NUT,ROCKER ADJUST | 6 |
| 10 | 042961 | WASHER,ROCKER SHAFT | 3 |
| 11 | 043064 | CAPSCREW M 6x14 | 2 |
| 12 | 042987 | PLATE,CAMSHAFT THRUST | 1 |
| 13 | 042952 | USE 30241 COLLET,VALVE | 12 |
| 14 | 042962 | SEAT,VALVE SPRING UPPER | 6 |
| 15 | 030242 | SEAL,VALVE | 6 |
| 16 | 042999 | SPRING,VALVE | 6 |
| 17 | 042965 | SEAT,VALVE SPRING LOWER | 6 |
| 18 | 042978 | VALVE,INTAKE | 3 |
| 19 | 042979 | VALVE,EXHAUST | 3 |
| 20 | 042990 | TENSIONER,TIMING BELT | 1 |
| 21 | 042996 | FLANGE,CRANKSHAFT TIMNG PULLEY | 1 |
| 22 | 043036 | BELT,TIMING | 1 |
| 23 | 043021 | PULLEY,OIL PUMP | 1 |
| 24 | 042963 | NUT,OIL PUMP PULLEY | 1 |
| 25 | 043024 | PULLEY,CRANKSHAFT TIMING BELT | 1 |
| 26 | 043068 | PIN,SPRING | 1 |
| 27 | 042894 | PIN,CRANKSHAFT TO PULLEY | 4 |
| 28 | 033668 | NUT M 8 | 1 |
| 29 | 043067 | WASHER,TENSIONER | 1 |
| 30 | 043009 | SPRING,TENSIONER | 1 |
| 31 | 041429 | CAPSCREW M10x1.25x30 | 1 |
| 32 | 042954 | WASHER,CAMSHAFT TIMING PULLEY | 1 |
| 33 | 043008 | PULLEY,CAMSHAFT TIMING BELT | 1 |

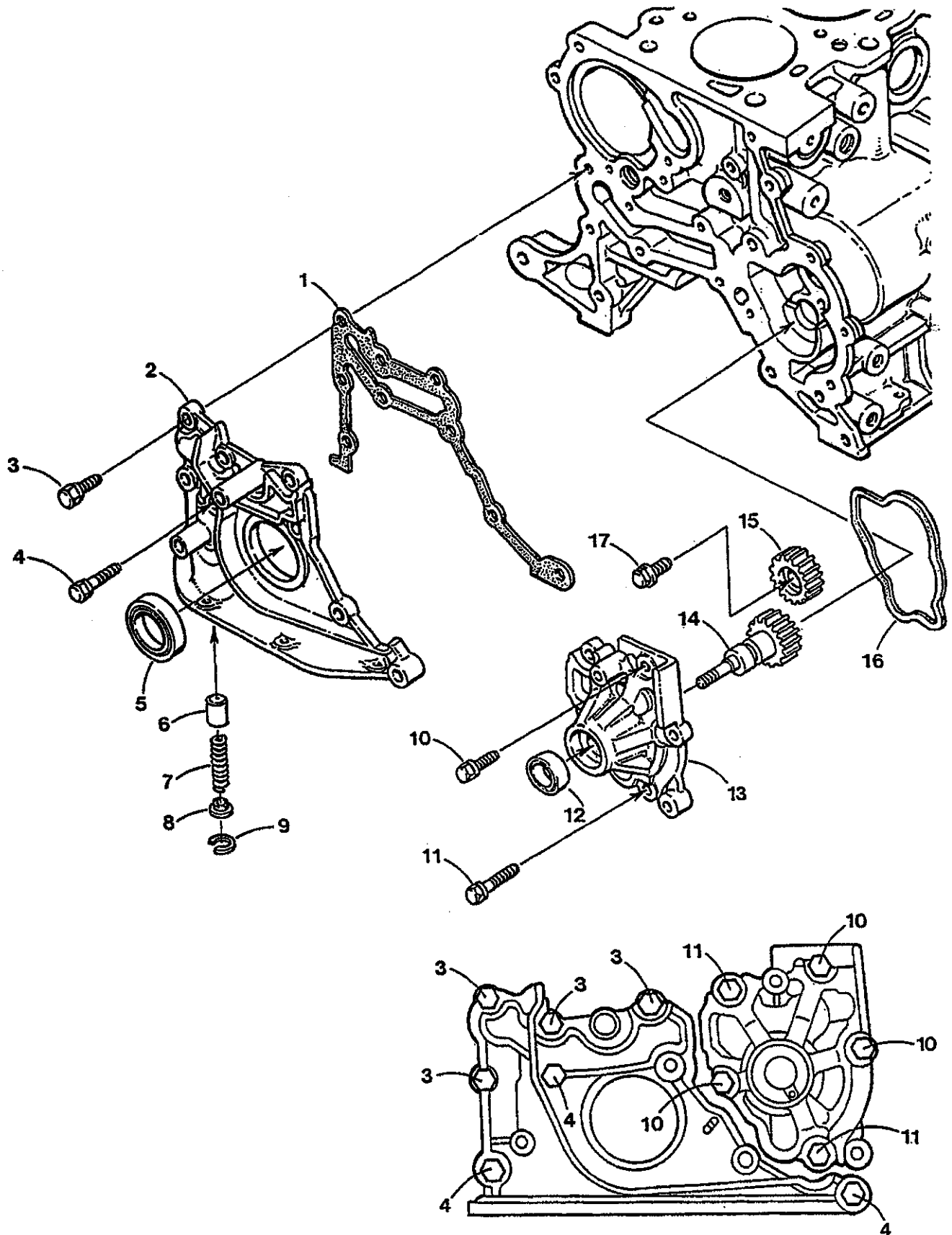
WESTERBEKE LOW PROFILE GENERATOR - TIMING BELT COVER



WESTERBEKE LOW PROFILE GENERATOR - TIMING BELT COVER

| REF | PN | NAME / REMARKS | QUAN |
|-----|--------|----------------------------|------|
| 1 | 043019 | COVER,TIMING BELT TOP REAR | 1 |
| 2 | 033669 | CAPSCREW M 6x16 | 3 |
| 3 | 042985 | GASKET,TIMING BELT COVER | 1 |
| 4 | 043031 | COVER,TIMING BELT TOP | 1 |
| 5 | 033669 | CAPSCREW M 6x16 | 6 |
| 6 | 043007 | COVER,TIMING BELT UPPER | 1 |
| 7 | 042988 | GASKET,TIMING BELT COVER | 1 |
| 8 | 042985 | GASKET,TIMING BELT COVER | 1 |
| 9 | 042947 | COVER,TIMING BELT ACCESS | 1 |
| 10 | 042989 | COVER,TIMING BELT LOWER | 1 |
| 11 | 042967 | GASKET,TIMING BELT COVER | 1 |
| 12 | 042966 | GASKET,TIMING BELT COVER | 1 |

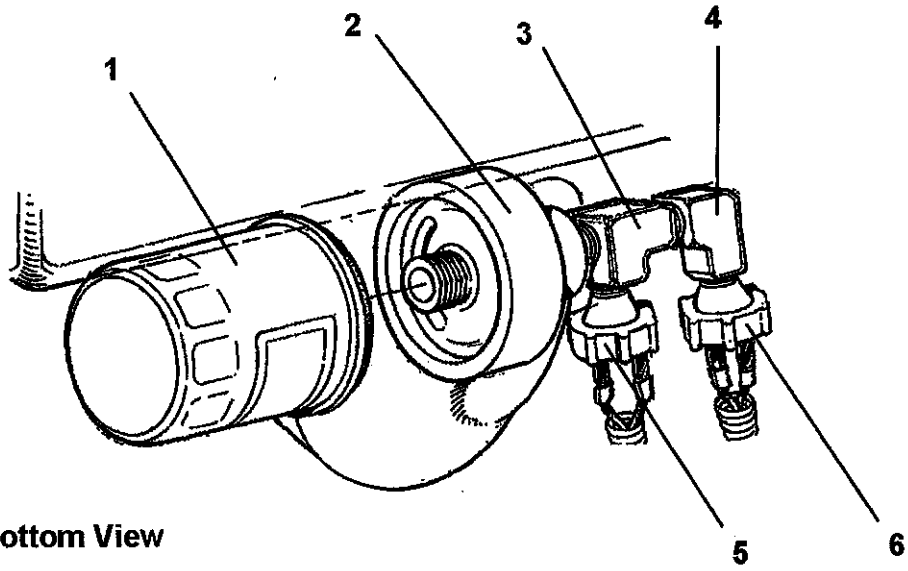
WESTERBEKE LOW PROFILE GENERATOR - TIMING CASE - LUBE OIL PUMP



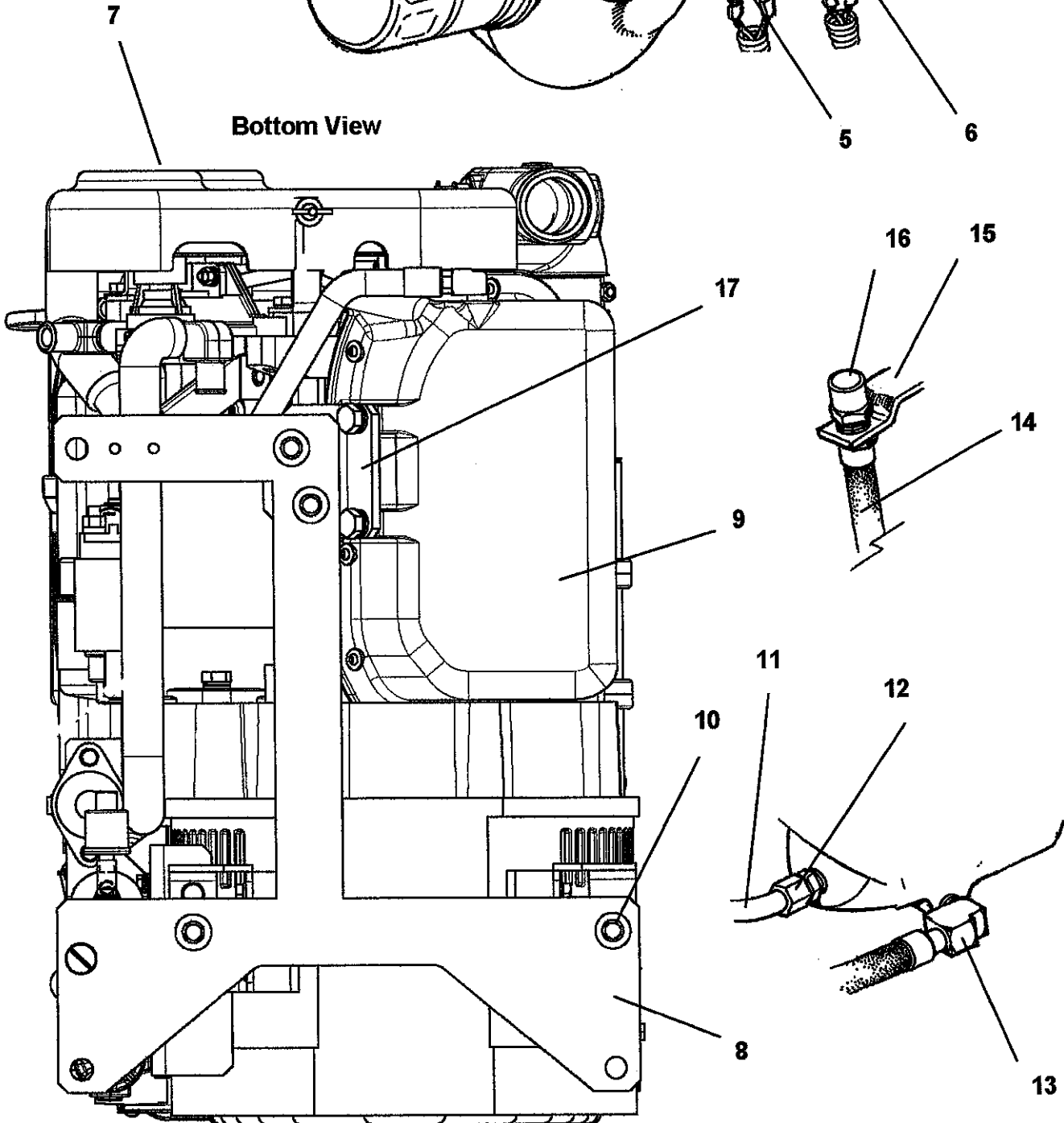
WESTERBEKE LOW PROFILE GENERATOR - TIMING CASE - LUBE OIL PUMP

| REF | PN | NAME / REMARKS | QUAN |
|-----|--------|-----------------------------|------|
| 1 | 043030 | GASKET,TIMING CASE TO BLOCK | 1 |
| 2 | 042997 | CASE,TIMING | 1 |
| 3 | 043065 | CAPSCREW M 6x18 | 6 |
| 4 | 043066 | CAPSCREW M 6x30 | 3 |
| 5 | 043048 | SEAL,OIL | 1 |
| 6 | 042958 | PLUNGER,OIL RELIEF VALVE | 1 |
| 7 | 042959 | SPRING,OIL RELIEF VALVE | 1 |
| 8 | 043004 | RETAINER,OIL RELIEF VALVE | 1 |
| 9 | 043069 | RING,RETAINING | 1 |
| 10 | 043065 | CAPSCREW M 6x18 | 3 |
| 11 | 043066 | CAPSCREW M 6x30 | 2 |
| 12 | 043018 | SEAL,OIL PUMP | 1 |
| 13 | 043022 | PUMP,OIL | 1 |
| 14 | 042972 | GEAR,OIL PUMP DRIVE | 1 |
| 15 | 042973 | GEAR,OIL PUMP | 1 |
| 16 | 042969 | GASKET,OIL PUMP | 1 |
| 17 | 042953 | BOLT,OIL PUMP GEAR | 1 |

WESTERBEKE LOW PROFILE GENERATOR - OIL FILTER - SUMP - FRONT MOUNTS



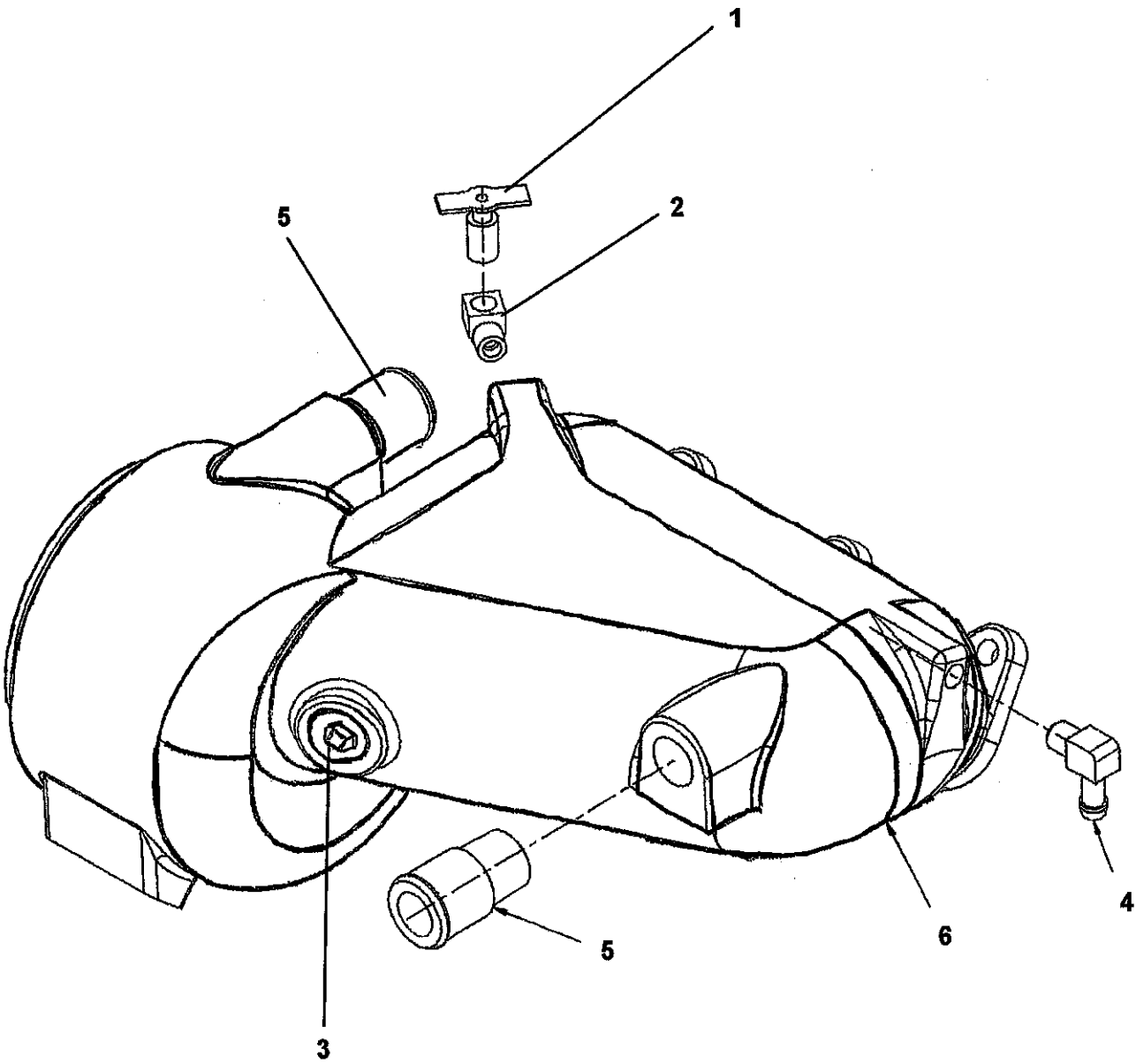
Bottom View



WESTERBEKE LOW PROFILE GENERATOR - OIL FILTER - SUMP - FRONT MOUNT

| REF | PN | NAME / REMARKS | QUAN |
|------|--------|-------------------------|------|
| 1 | 036918 | FILTER,OIL | 1 |
| 2-1 | 046279 | ADAPTER,OIL FILTER | 1 |
| 2-2 | 041323 | GASKET,LUBE OIL ADAPTER | 1 |
| 2-3 | 034663 | NIPPLE,OIL FILTER | 1 |
| 2-4 | 024523 | PLUG 1/8 NPT | 2 |
| 3 | 046999 | TEE 1/8NPT | 1 |
| 4 | 013340 | ELBOW 1/8NPT | 1 |
| 5 | 037323 | SWITCH,OIL PRESSURE | 1 |
| 6 | 011552 | SWITCH,OIL PRESSURE | 1 |
| 7 | 046425 | GUARD,BELT | 1 |
| 8 | 046747 | BASE,GENSET | 1 |
| 9-1 | 046285 | SUMP,OIL | 1 |
| 9-2 | 042020 | GASKET,SUMP | 1 |
| 10 | 046272 | ISOLATOR,GEN | 4 |
| 11-1 | 046434 | TUBE,DIPSTICK | 1 |
| 11-2 | 048810 | DIPSTICK,LOW PROFILE | 1 |
| 12 | 023894 | CONNECTOR,MALE | 1 |
| 13 | 013475 | ELBOW 1/4NPT 90 | 1 |
| 14 | 046785 | HOSE,SUMP DRAIN | 1 |
| 15 | 037198 | BRACKET,SUMP DRAIN HOSE | 1 |
| 16 | 024905 | CAP 1/4 NPT | 1 |
| 17 | 046165 | MOUNT,FRONT | 1 |

WESTERBEKE LOW PROFILE GENERATOR - EXHAUST MANIFOLD



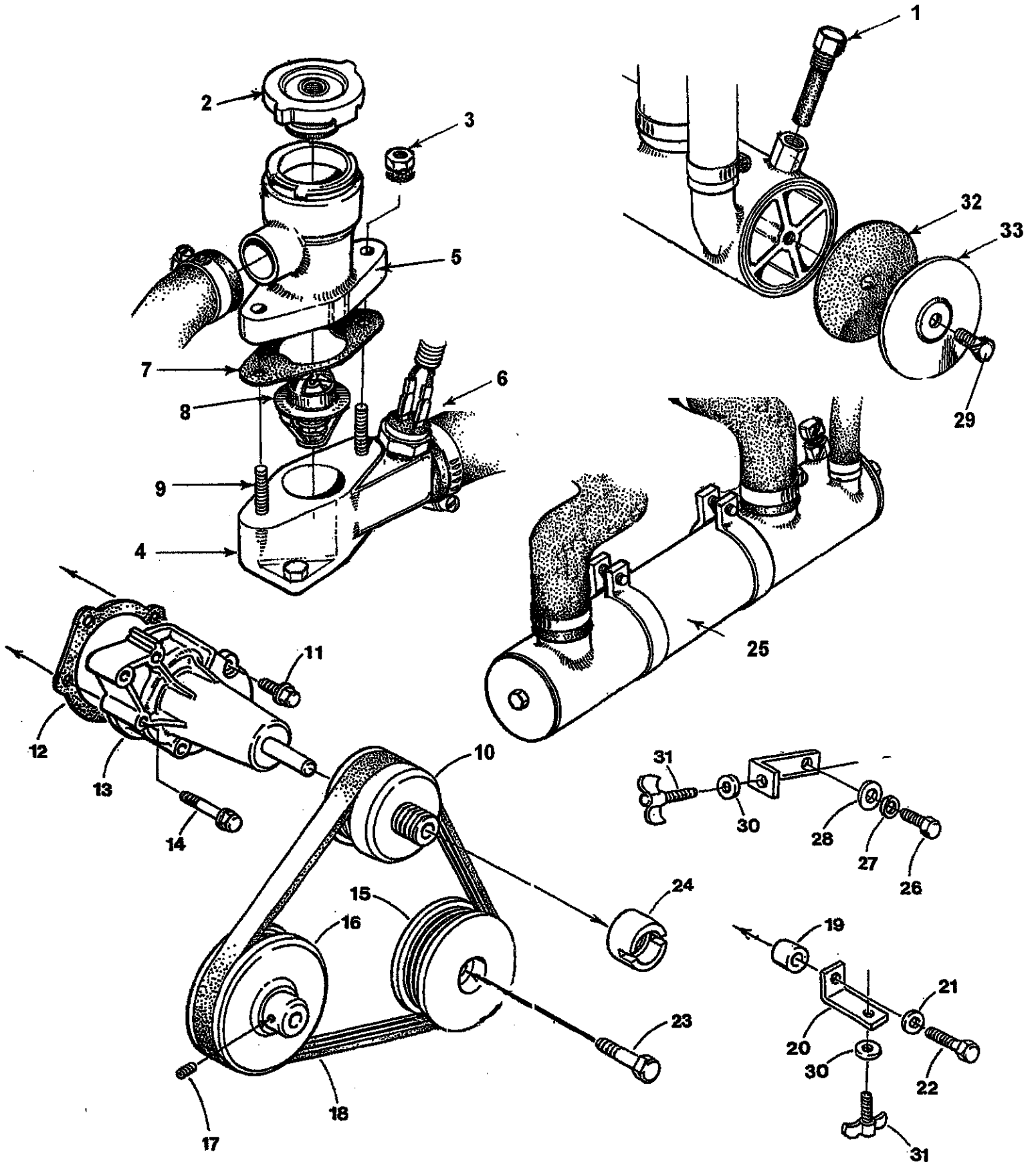
WESTERBEKE LOW PROFILE GENERATOR - EXHAUST MANIFOLD

| REF | PN | NAME / REMARKS | QUAN |
|-----|--------|---|------|
| 1 | 011471 | PETCOCK | 1 |
| 2 | 013340 | ELBOW 1/8NPT | 1 |
| 3 | 046777 | PLUG 1/2 NPT | 1 |
| 4 | 024907 | ELBOW 1/8NPT x 5/16 HOSE | 1 |
| 5 | 036618 | NIPPLE | 2 |
| 6 | 047973 | MANIFOLD,EXHAUST ASSY (includes 1 through 5 and catalyst) | 1 |

Not shown on illustration.

| | | | |
|--|--------|-------------------------|---|
| | 049224 | EYE,LIFTING LOW PROFILE | 1 |
|--|--------|-------------------------|---|

WESTERBEKE LOW PROFILE GENERATOR - FRESH WATER COOLING SYSTEM



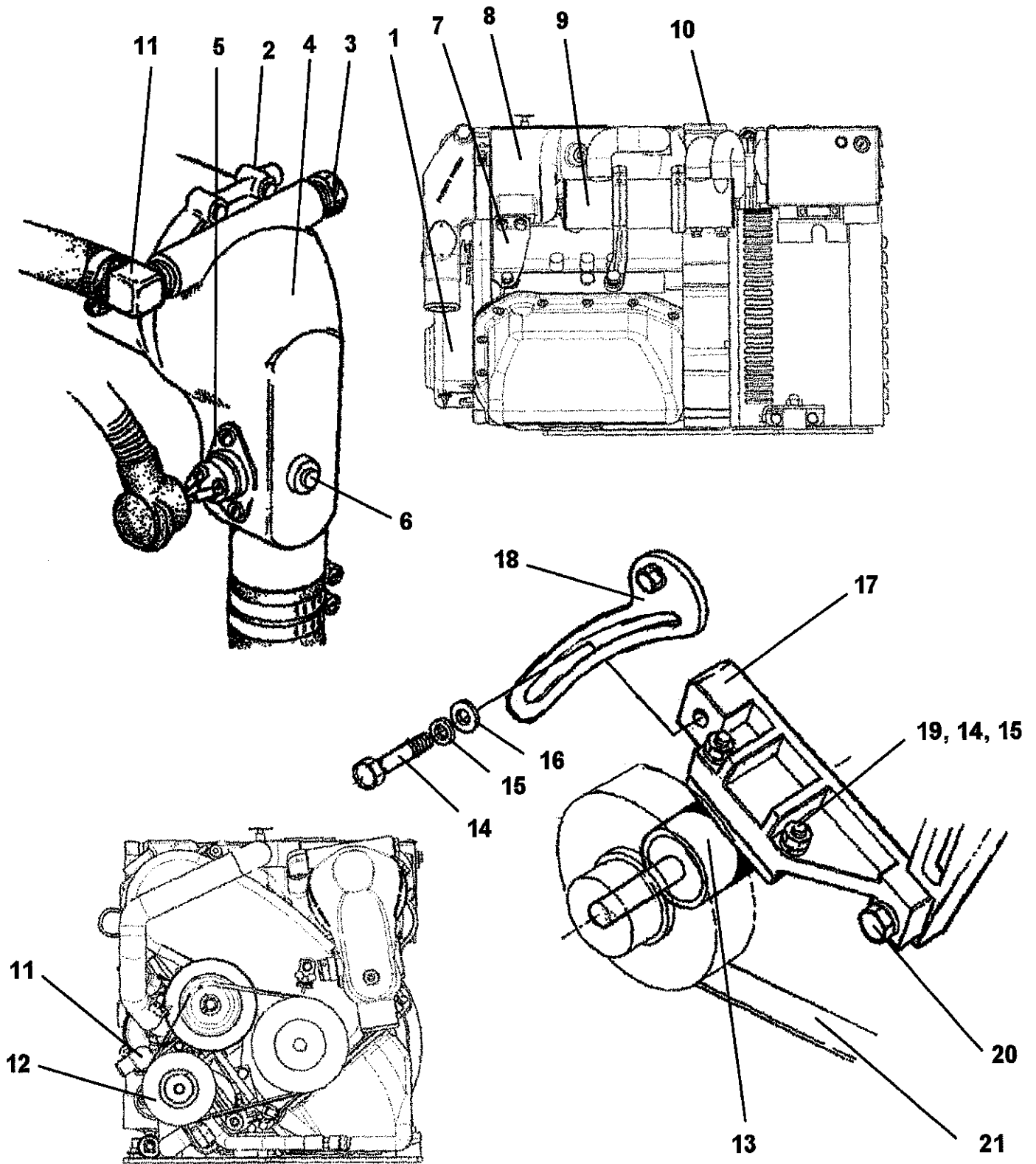
WESTERBEKE LOW PROFILE GENERATOR - FRESH WATER SYSTEM

| REF | PN | NAME / REMARKS | QUAN |
|------|--------|--|------|
| 1 | 011885 | ZINC | 1 |
| 2 | 024306 | CAP,PRESSURE 15PSI | 1 |
| 3 | 045545 | NUT M 6 | 2 |
| 4 | 046277 | HOUSING,THERMOSTAT LWR 5.0 BCG | 1 |
| 5 | 046275 | HOUSING,THERMOSTAT 5.0 BCG | 1 |
| 6 | 039550 | SWITCH,TEMPERATURE 210F | 1 |
| 7 | 046124 | GASKET,THERMOSTAT 5.0 BCG | 1 |
| 8 | 039378 | THERMOSTAT 160F 4.5-9.6 BCGT | 1 |
| 9 | 045125 | STUD M 6x20 | 2 |
| 10 | 042797 | PULLEY,FRESH WATER PUMP | 1 |
| 11 | 043065 | CAPSCREW M 6x18 | 2 |
| 12 | 043005 | GASKET,FRESH WATER PUMP | 1 |
| 13 | 043809 | PUMP,FRESH WATER (INC. GASKET, PULLEY AND NUT) | 1 |
| 14 | 301590 | CAPSCREW M 6x35 | 3 |
| 15 | 046736 | PULLEY,CRANKSHAFT 1GR | 1 |
| 16 | 046734 | PULLEY,SEA WATER PUMP 5.0 BCG | 1 |
| 17 | 011357 | SETSCREW 5/16NC X 3/8 SOCKET | 1 |
| 18 | 046813 | BELT,POLY-V 3GR | 1 |
| 19 | 021722 | SPACER | 1 |
| 20-1 | 033380 | BRACKET,BELT GUARD (RIGHT SIDE) | 1 |
| 20-2 | 046541 | BRACKET,BELT GUARD (BOTTOM) | 1 |
| 20-3 | 046431 | BRACKET,BELT GUARD (TOP) | 1 |
| 21 | 031783 | LOCKWASHER M 6 | 3 |
| 22 | 013590 | CAPSCREW M 6x30 | 1 |
| 23 | 042980 | BOLT,CRANKSHAFT PULLEY | 1 |
| 24 | 042800 | NUT,FRESH WATER PUMP | 1 |
| 25 | 047106 | EXCHANGER,HEAT (INC. CLAMPS) | 1 |
| 26 | 017196 | CAPSCREW M 8x20 | 2 |
| 27 | 031783 | LOCKWASHER M 6 | 3 |
| 28 | 031784 | WASHER M 6 | 3 |
| 29 | 054505 | CAPSCREW 5/16NCx1/2 SS | 2 |
| 30 | 033372 | WASHER | 3 |
| 31 | 033228 | WINGSCREW 10-32 x 1/2 | 3 |
| 32 | 046519 | GASKET,EXCHANGER 2-1/4 | 2 |
| 33 | 047007 | CAP,EXCHANGER 2-1/2 | 2 |

List of hoses, not shown.

| | | |
|--------|--------------------------------|---|
| 046339 | HOSE,MANIFOLD TO FW INLET | 1 |
| 046338 | HOSE,SEA PUMP TO EXCHANGER | 1 |
| 046337 | HOSE,EXCHANGER TO EXH ELBOW | 1 |
| 046336 | HOSE,MANIFOLD TO EXCHANGER | 1 |
| 046335 | HOSE,INT MANIFLD TO THERMOSTAT | 1 |
| 046334 | HOSE,THERMOSTAT TO EXCHANGER | 1 |
| 046926 | HOSE,VALVE COVER TO SILENCER | 1 |
| 046785 | HOSE,SUMP DRAIN 9.50 IN | 1 |
| 053847 | HOSE,SUMP VACUUM 5-7 BCGD | 1 |

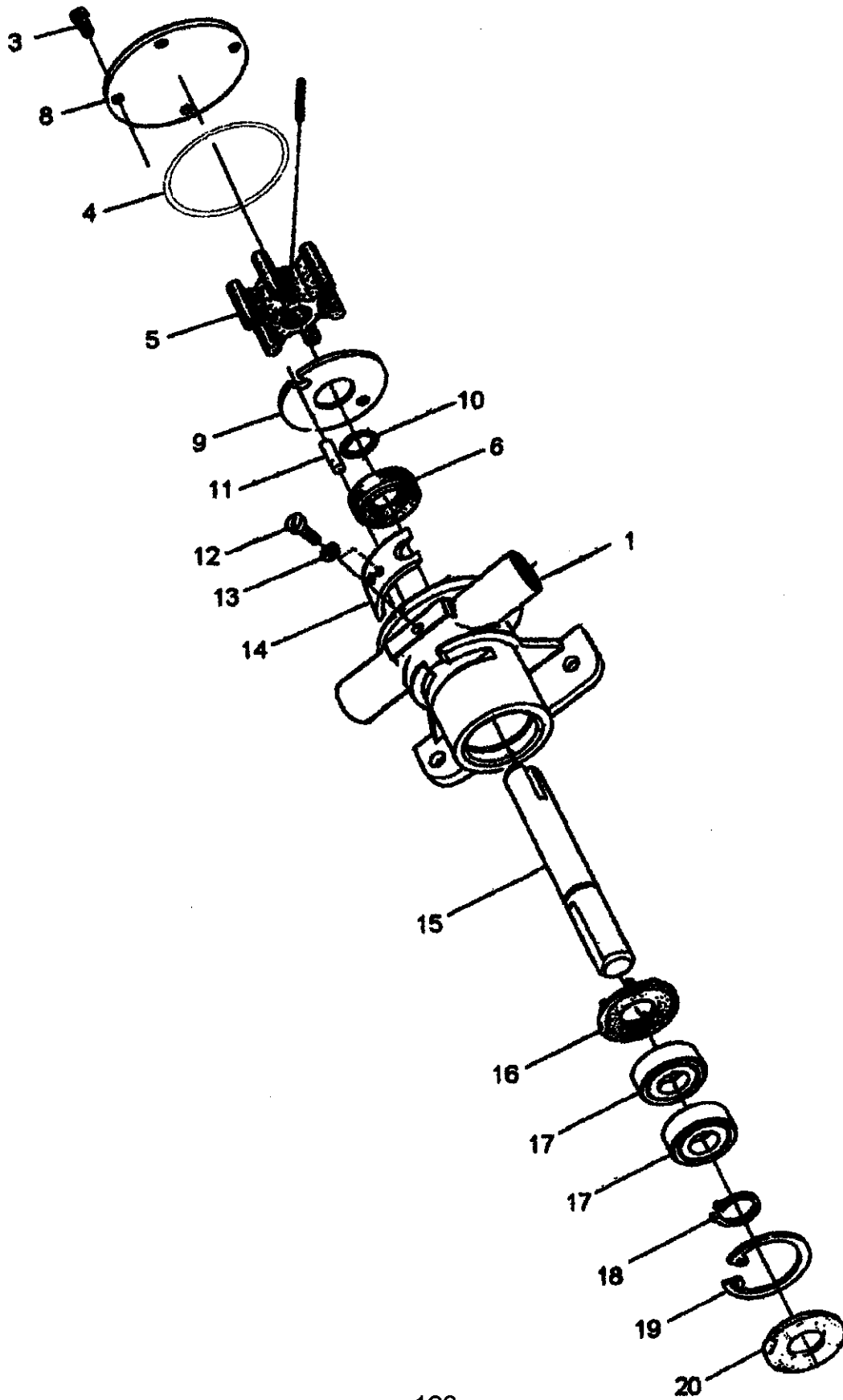
WESTERBEKE LOW PROFILE GENERATOR - SEA WATER SYSTEM



WESTERBEKE LOW PROFILE GENERATOR - SEA WATER SYSTEM

| REF | PN | NAME / REMARKS | QUAN |
|------|--------|--|------|
| 1 | 046425 | GUARD,BELT | 1 |
| 2-1 | 046030 | CLAMP,EXHAUST ELBOW 4.37" | 1 |
| 2-2 | 046123 | GASKET,EXHAUST ELBOW-MAN | 1 |
| 3 | 013716 | PLUG 3/8 | 1 |
| 4 | 047107 | KIT,WATER INJECTED ELBOW (Inc. ref. 11, 2-1, 2-2, 3, 4, 6) | 1 |
| 5-1 | 035711 | SCREW 6-32 | 2 |
| 5-2 | 032923 | SWITCH,EXHAUST TEMPERATURE | 1 |
| 6 | 024523 | PLUG 1/8 NPT | 1 |
| 7 | 046323 | BRACKET,EXHAUST MANIFLD SUPPRT | 1 |
| 8-1 | 046996 | MANIFOLD,EXHAUST (Inc. Catalyst) | 1 |
| 8-2 | 042252 | GASKET,EXHAUST MANIFOLD | 1 |
| 9 | 047106 | EXCHANGER,HEAT | 1 |
| 10 | 024306 | CAP,PRESSURE 15PSI | 1 |
| 11 | 042258 | ELBOW 3/8NPT x 3/4 HOSE | 3 |
| 12-1 | 011357 | SETSCREW 5/16NC | 1 |
| 12-2 | 046734 | PULLEY,SEA WATER PUMP | 1 |
| 13 | 042026 | PUMP,SEA WATER (Pulley not included) | 1 |
| 14 | 020628 | CAPSCREW M 6 | 3 |
| 15 | 031783 | LOCKWASHER M 6 | 3 |
| 16 | 031784 | WASHER M 6 | 1 |
| 17 | 046780 | BRACKET,SEA WATER PUMP | 1 |
| 18 | 046721 | STRAP,SEA PUMP ADJUSTING | 1 |
| 19 | 015812 | NUT M 6 | 2 |
| 20-1 | 019262 | LOCKWASHER M10 | 1 |
| 20-2 | 031228 | CAPSCREW M10 | 1 |
| 21 | 046813 | BELT,POLY-V | 1 |

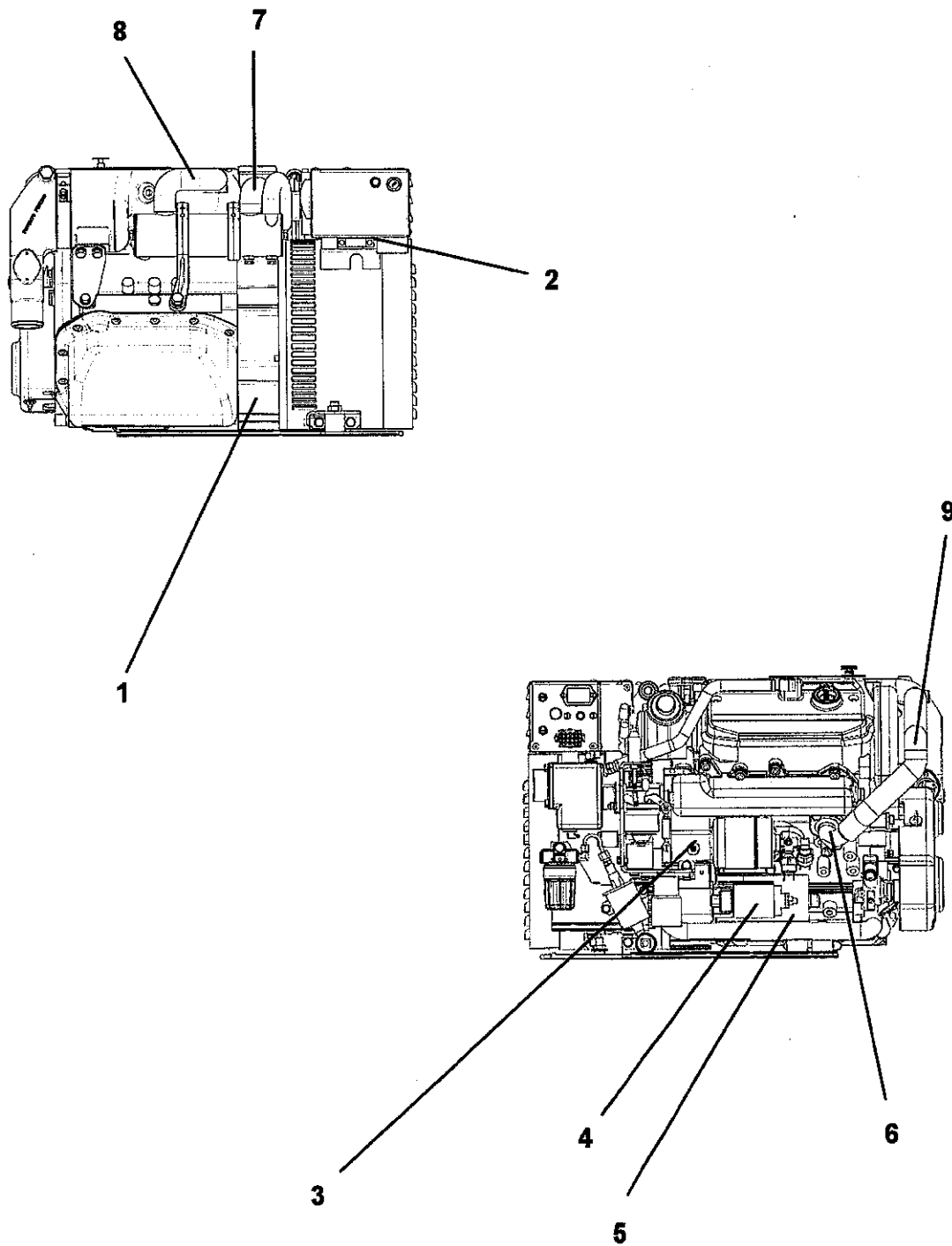
WESTERBEKE LOW PROFILE GENERATOR - SEA WATER PUMP



WESTERBEKE LOW PROFILE GENERATOR - SEA WATER PUMP

| REF | PN | NAME / REMARKS | QUAN |
|-----|--------|--|------|
| 1 | 042026 | PUMP,SEA WATER (Complete, body only is not available) | 1 |
| 2 | 046622 | IMPELLER KIT | 1 |
| 3 | 034463 | SCREW,IMPELLER COVER | 4 |
| 4 | 046624 | O-RING,PUMP | 1 |
| 5 | 046622 | IMPELLER KIT (Inc. item 3,4,5) | 1 |
| 6 | 033043 | SEAL,PUMP | 1 |
| 8 | 046625 | COVER,IMPELLER | 1 |
| 9 | 046661 | PLATE,WEAR PUMP | 1 |
| 10 | 033041 | O-RING,PUMP | 1 |
| 11 | 302575 | DOWEL | 1 |
| 12 | 046662 | SCREW,CAM | 1 |
| 13 | 033037 | WASHER,CAM | 1 |
| 14 | 033031 | CAM,PUMP | 1 |
| 15 | 046629 | SHAFT,WATER | 1 |
| 16 | 046630 | SPACER,BEARING | 1 |
| 17 | 033042 | BEARING,PUMP | 2 |
| 18 | 033045 | RING,RETAINING | 1 |
| 19 | 033044 | RING,RETAINING | 1 |
| 20 | 033033 | COVER,BEARING OUTER | 1 |
| 21 | 046623 | KIT,REPAIR (Inc. items 2,6,8,9,10,11,12,13,14,15,16,17,18,19,20) | 1 |

WESTERBEKE LOW PROFILE GENERATOR - BELL HOUSING - FLYWHEEL



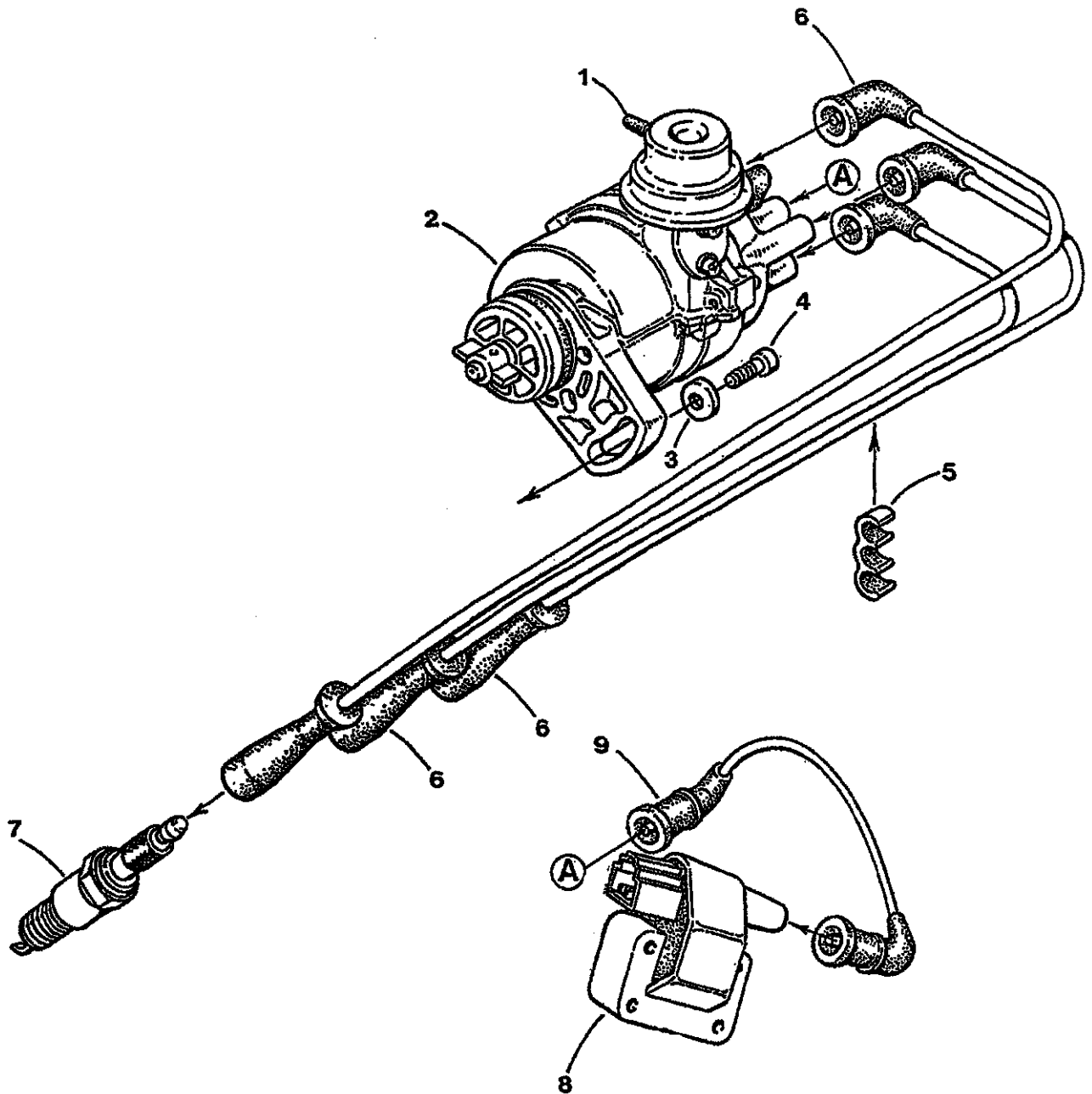
WESTERBEKE LOW PROFILE GENERATOR - BELL HOUSING - FLYWHEEL

| REF | PN | NAME / REMARKS | QUAN |
|---------------------------|--------|------------------------------|------|
| 1-1 | 045590 | HOUSING,FLYWHEEL | 1 |
| 1-2 | 046454 | FLYWHEEL ASSEMBLY | 1 |
| 1-3 | 042964 | BOLT,FLYWHEEL | 5 |
| 2 | 036652 | ISOLATOR,PANEL | 4 |
| 3 | 046874 | SENSOR,MAGNETIC | 1 |
| 4 | 048814 | SOLENOID,STARTER 46309 | 1 |
| 5 | 046309 | MOTOR,STARTER 12 VOLT | 1 |
| 6-1 | 046354 | ELBOW,WATER INLET | 1 |
| 6-2 | 042147 | GASKET,WATER INLET | 1 |
| 7 | 046334 | HOSE,THERMOSTAT TO EXCHANGER | 1 |
| 8 | 046336 | HOSE,MANIFOLD TO EXCHANGER | 1 |
| 9 | 046339 | HOSE,MANIFOLD TO FW INLET | 1 |
| Not shown on illustration | | | |
| | 046132 | GEAR,RING | 1 |

WESTERBEKE LOW PROFILE GENERATOR - FUEL LIFT PUMP - FUEL FILTER

| REF | PN | NAME / REMARKS | QUAN |
|------|--------|---|------|
| 1 | 013345 | ELBOW,MALE | 2 |
| 2 | 021722 | SPACER | 1 |
| 3 | 031225 | CAPSCREW M 8x60 | 1 |
| 4 | 031783 | LOCKWASHER M 6 | 2 |
| 5 | 031784 | WASHER M 6 | 2 |
| 6 | 031786 | LOCKWASHER M 8 | 1 |
| 7 | 031787 | WASHER M 8 | 1 |
| 8 | 031825 | CAPSCREW M 6x12 | 2 |
| 9 | 046512 | BRACKET,LIFT PUMP | 1 |
| 10 | 046796 | PUMP,LIFT 12VDC GAS | 1 |
| 11 | 046800 | FILTER,FUEL ASSEMBLY (includes filter element assy 47006) | 1 |
| 12 | 046931 | PIN,ROLL 3/16 DIA | 1 |
| 13 | 048076 | FILTER,FUEL | 1 |
| 14 | 048920 | ELBOW 1/8NPT | 1 |
| 15-1 | 046572 | LINE,FUEL FILTER TO LIFT PUMP (to date code E111) | 1 |
| 15-2 | 052644 | LINE,FUEL FILTER TO LIFT PUMP (post date code E111) | 1 |
| 16 | 047060 | HOUSING,FUEL FILTER | 1 |
| 17 | 030201 | O-RING,FUEL FILTER (small diameter) | 1 |
| 18 | 047006 | ELEMENT,FUEL FILTER-BCG (includes o-rings) | 1 |
| 19 | 030705 | O-RING,FUEL FILTER (large diameter) | 1 |
| 20 | 047059 | CUP,FILTER HOUSING | 1 |

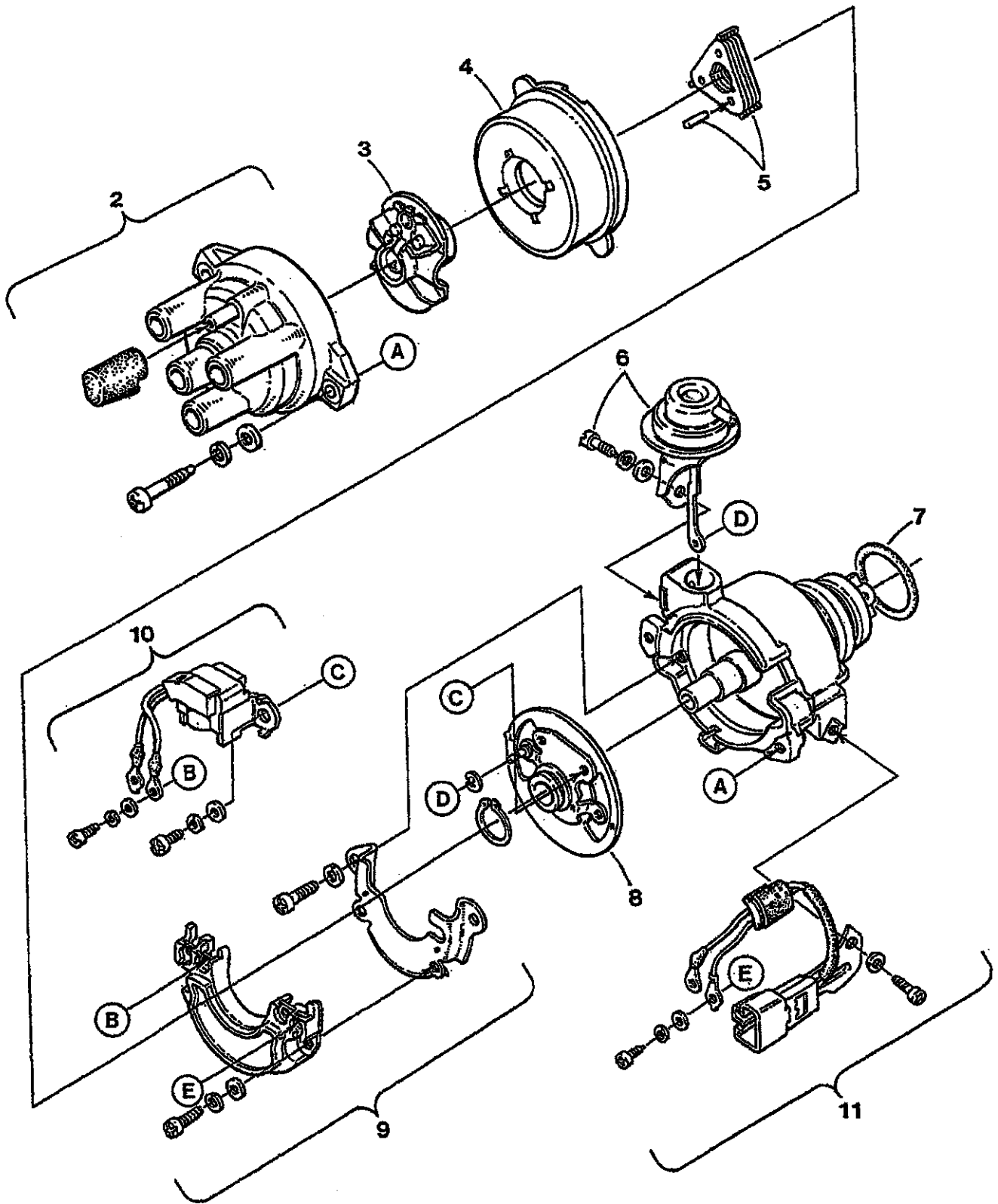
WESTERBEKE LOW PROFILE GENERATOR - DISTRIBUTOR - COIL - SPARKPLUGS



WESTERBEKE LOW PROFILE GENERATOR - DISTRIBUTOR - COIL - SPARKPLUGS

| REF | PN | NAME / REMARKS | QUAN |
|-----|--------|---------------------------|------|
| | | | 1 |
| 1 | 033885 | CAP,VINYL | 1 |
| 2 | 042488 | DISTRIBUTOR | 1 |
| 3 | 033381 | WASHER | 1 |
| 4 | 041569 | CAPSCREW M 8x25 | 1 |
| 5 | 042991 | CLAMP,SPARKPLUG WIRE | 1 |
| 6 | 043060 | WIRE SET,SPARKPLUG & COIL | 1 |
| 7 | 043071 | SPARKPLUG | 3 |
| 8 | 042520 | COIL,IGNITION | 1 |
| 9 | NA | See Reference # 6 | 1 |

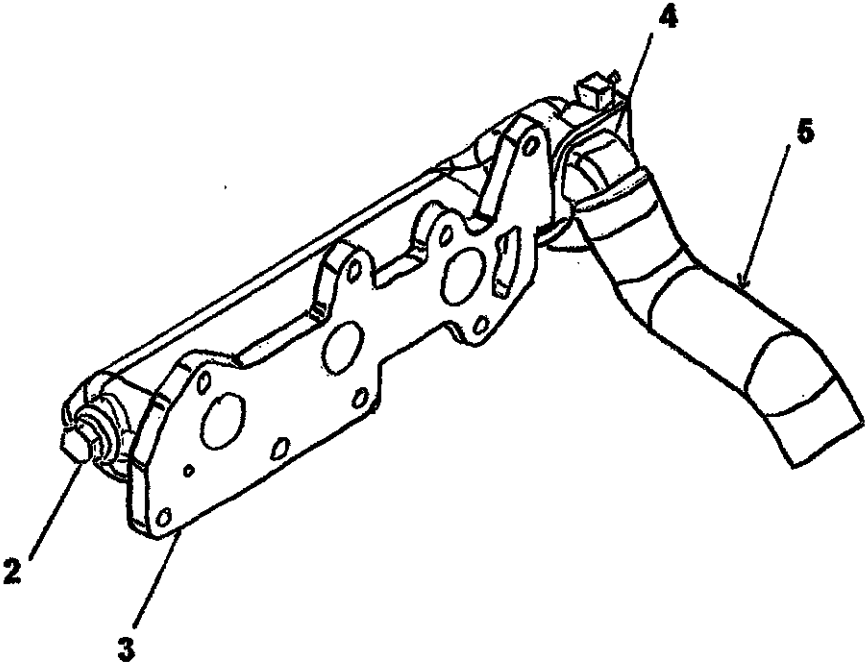
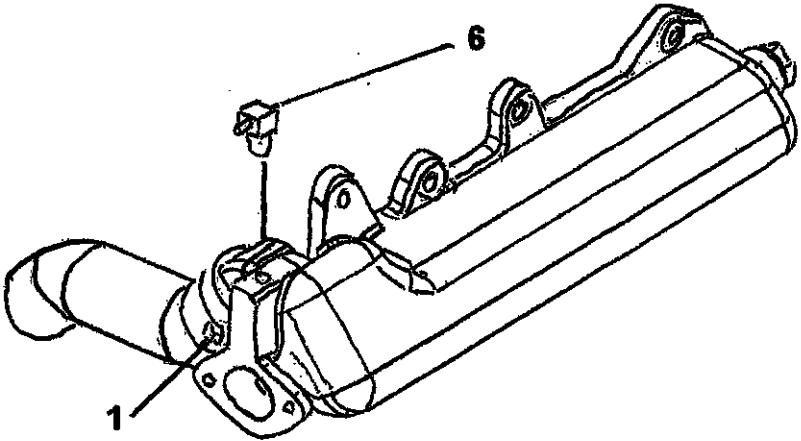
WESTERBEKE LOW PROFILE GENERATOR - DISTRIBUTOR



WESTERBEKE LOW PROFILE GENERATOR - DISTRIBUTOR

| REF | PN | NAME / REMARKS | QUAN |
|-----|--------|-------------------------------|------|
| | | | 1 |
| 1 | 042488 | DISTRIBUTOR | 1 |
| 2 | 043059 | CAP,DISTRIBUTOR | 1 |
| 3 | 043050 | ROTOR,DISTRIBUTOR | 1 |
| 4 | 043056 | COVER,DISTRIBUTOR | 1 |
| 5 | 043055 | ROTOR,DISTRIBUTOR IGNITER SIG | 1 |
| 6 | 043057 | MODULE,DISTRIBUTOR VACUUM ADV | 1 |
| 7 | 043049 | O-RING,DISTRIBUTOR | 1 |
| 8 | 043052 | BREAKER,DISTRIBUTOR | 1 |
| 9 | 043053 | IGNITER KIT,DISTRIBUTOR | 1 |
| 10 | 043054 | MODULE,DISTRIBUTOR PICKUP | 1 |
| 11 | 043058 | CABLE,DISTRIBUTOR | 1 |
| 12 | 043051 | SCREW SET,DISTRIBUTOR | 1 |

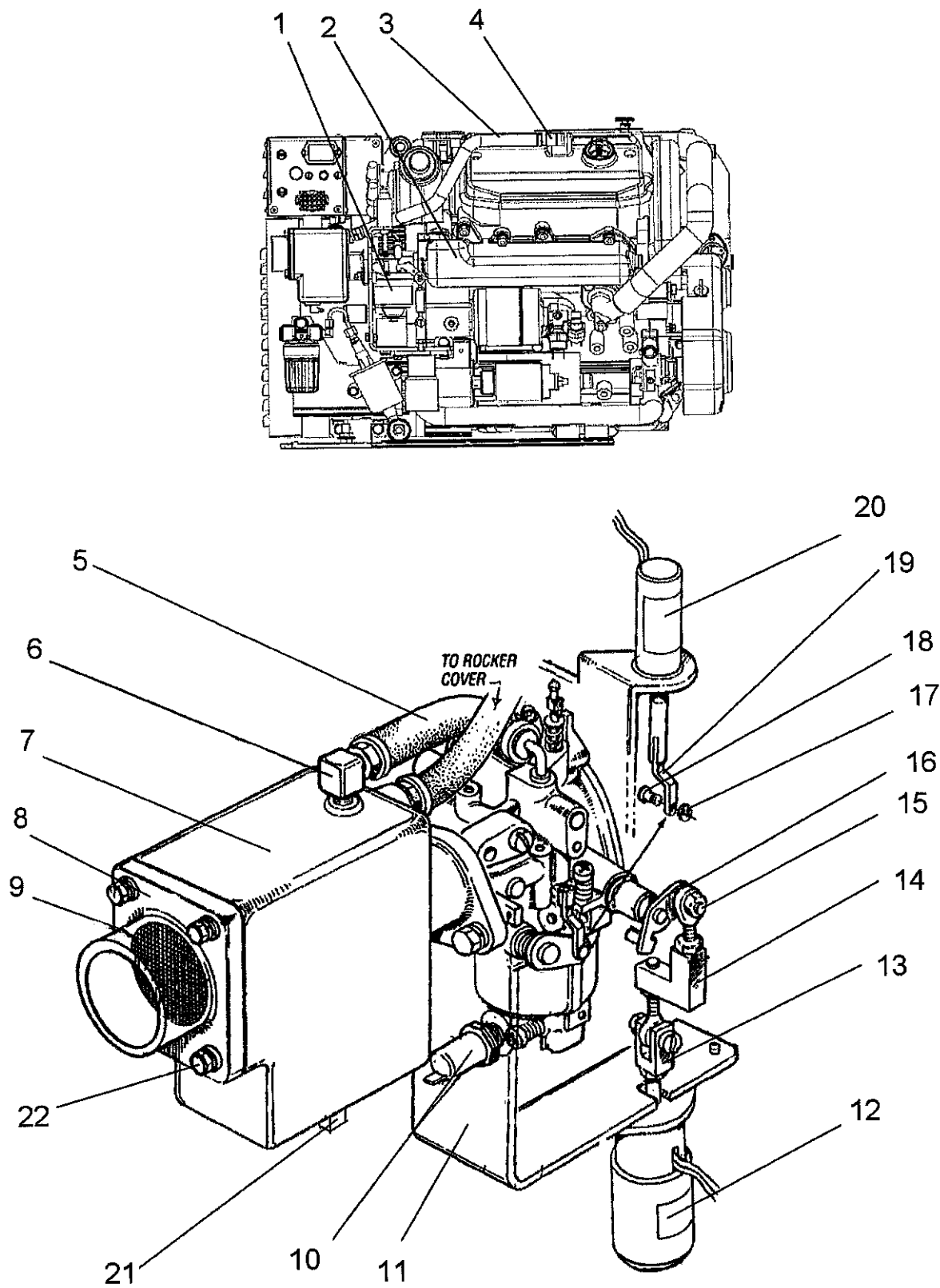
WESTERBEKE LOW PROFILE GENERATOR - INTAKE MANIFOLD



WESTERBEKE LOW PROFILE GENERATOR - INTAKE MANIFOLD

| REF | PN | NAME / REMARKS | QUAN |
|-----|--------|--------------------------------|------|
| 1 | 011405 | CLAMP,HOSE | 1 |
| 2 | 013716 | PLUG 3/8 NPT | 1 |
| 3 | 046287 | MANIFOLD,INTAKE | 1 |
| 4 | 046333 | ELBOW 3/8NPT x 1 HOSE | 1 |
| 5 | 046335 | HOSE,INT MANIFLD TO THERMOSTAT | 1 |
| 6 | 047203 | ELBOW,MALE 1/8NPTx5/32 | 1 |

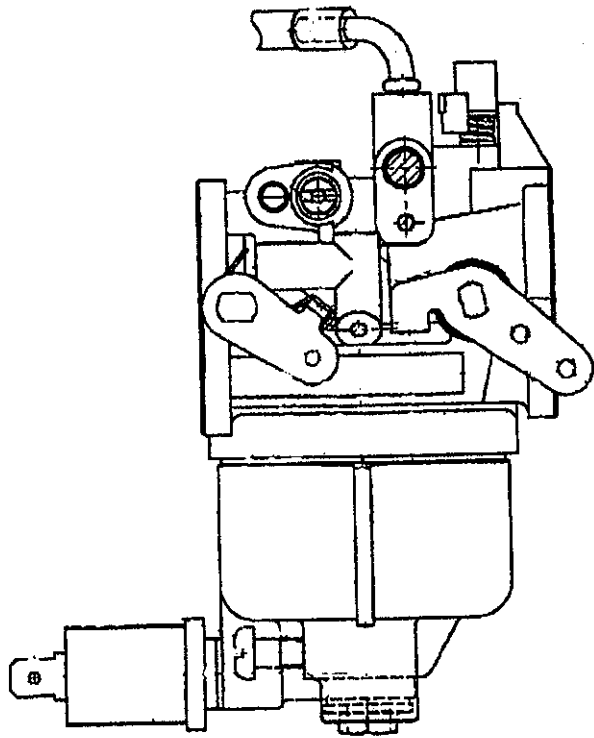
WESTERBEKE LOW PROFILE GENERATOR - AIR INTAKE - CARBURETOR MOUNTING



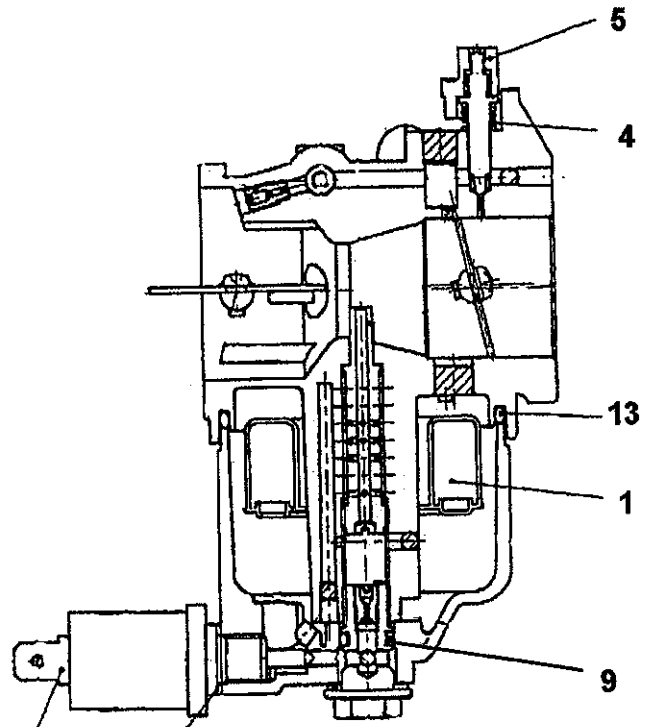
WESTERBEKE LOW PROFILE GENERATOR - AIR INTAKE - CARBURETOR MOUNTING

| REF | PN | NAME / REMARKS | QUAN |
|------|--------|--|------|
| 1-1 | 047111 | CARBURETOR 5.0 BCG | 1 |
| 1-2 | 046384 | GASKET,CARB TO ACTUATOR BRKT | 2 |
| 1-3 | 046524 | GASKET,INTAKE MANIFOLD TO CARB | 1 |
| 2-1 | 046287 | MANIFOLD,INTAKE 5.0-7.0 BCG | 1 |
| 2-2 | 043287 | GASKET,INTAKE MANIFOLD | 1 |
| 3 | 046926 | HOSE,VALVE COVER TO SILENCER | 1 |
| 4 | 013475 | ELBOW 1/4NPT 90 | 1 |
| 5 | 042622 | HOSE,BOWL VENT | 3.5" |
| 6 | 042616 | ELBOW,MALE 1/8NPT | 1 |
| 7 | 046453 | SILENCER,INTAKE 5.0 BCG (Inc. ref. 6, 7, 8, 9, 22, 21) | 1 |
| 8 | 046451 | NOZZLE,SILENCER 5.0 BCG | 1 |
| 9 | 043438 | ARRESTOR,FLAME ASSY | 1 |
| 10 | 048666 | SOLENOID,FUEL SHUTOFF CARBURET | 1 |
| 11 | 046447 | BRACKET,ACTUATOR-CHOKE SOLND | 1 |
| 12 | 046490 | ACTUATOR 12VDC 5.0 BCG | 1 |
| 13 | 045606 | CLEVIS,ACTUATOR | 1 |
| 14 | 046567 | CLEVIS,ACTUATOR | 1 |
| 15-1 | 031873 | SCREW 10-32 | 2 |
| 15-2 | 031847 | NUT 10-32 | 2 |
| 16 | 048516 | BALLJOINT 10-32 | 2 |
| 17 | 046724 | RING,RETAINING 3/32 | 2 |
| 18 | 046641 | INSERT,CHOKE LINKAGE | 2 |
| 19-1 | 047749 | LINK,UPPER CHOKE SOLENOID | 1 |
| 19-2 | 047750 | LINK,LOWER CHOKE SOLENOID | 1 |
| 20 | 046930 | SOLENOID,CHOKE 12 VDC-2 TERM (Inc. plunger) | 1 |
| 21-1 | 053847 | HOSE,SUMP VACUUM 5-7 BCGD | 1 |
| 21-2 | 047203 | ELBOW,MALE 1/8NPTx5/32 HOSE | 1 |
| 22-1 | 018804 | CAPSCREW M 6x20 | 4 |
| 22-2 | 031783 | LOCKWASHER M 6 | 4 |

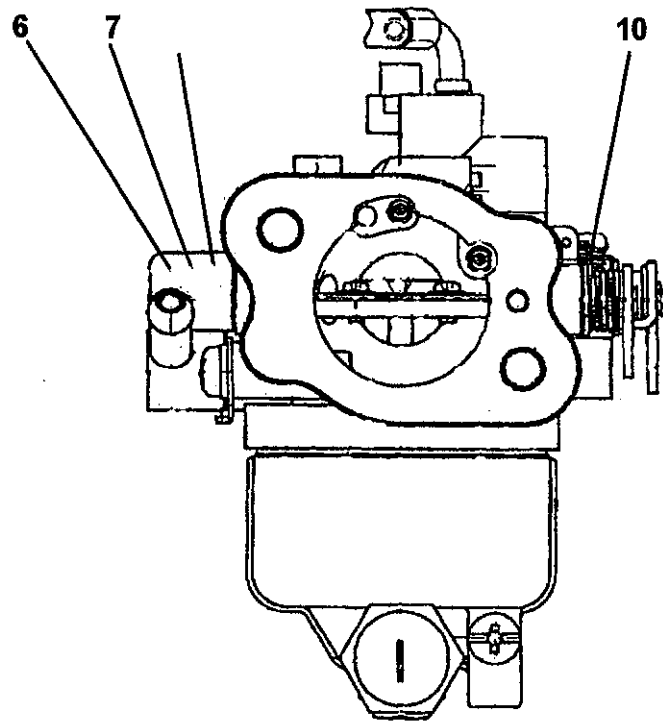
WESTERBEKE LOW PROFILE GENERATOR - CARBURETOR



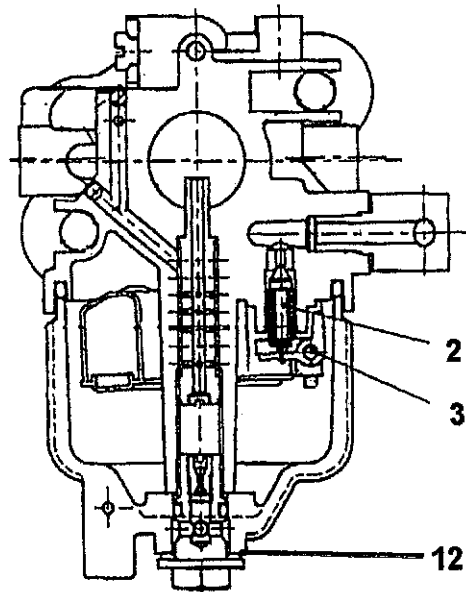
Right Side



Right Side Cut Away



Front View



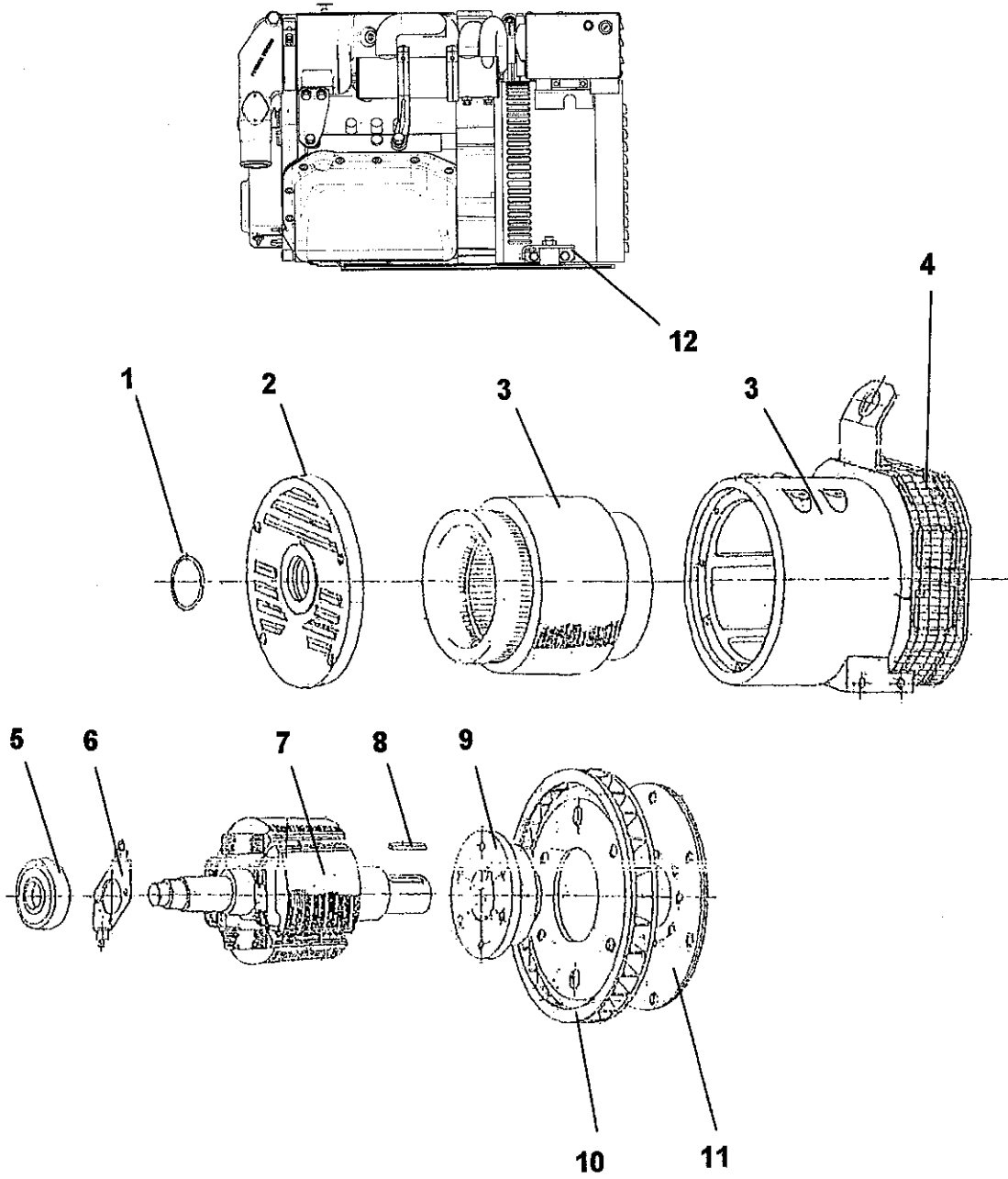
Back View Cut Away

WESTERBEKE LOW PROFILE GENERATOR - CARBURETOR

| REF | PN | NAME / REMARKS | QUAN |
|-----|--------|---|------|
| 1 | NA | FLOAT,FUEL INLET | 1 |
| 2 | NA | NEEDLE,FUEL FLOAT | 1 |
| 3 | NA | PIN,FUEL FLOAT | 1 |
| 4 | NA | SPRING,IDLE MIXTURE SCREW | 1 |
| 5 | NA | CAP,IDLE MIXTURE SCREW | 1 |
| 6 | NA | CAP,THROTTLE SHAFT SEAL | 1 |
| 7 | NA | CIRCLIP,THROTTLE SHAFT LOCATOR | 1 |
| 8 | 048666 | SOLENOID,FUEL SHUTOFF CARBURETOR | 1 |
| 9 | NA | O-RING,FUEL BOWL BANJO BOLT SEALING | 1 |
| 10 | NA | FELT,THROTTLE SHAFT SEAL | 1 |
| 11 | NA | COPPER,FUEL SHUTOFF SOLENOID | 1 |
| 12 | NA | COPPER,FUEL BOWL BANJO BOLT | 1 |
| 13 | 054271 | GASKET,CARBURETOR BOWL | 1 |
| | 048667 | KIT,CARBURETOR 47111 REPAIR (Includes items 1 through 13) | 1 |
| | 047111 | CARBURETOR (Complete) | 1 |

Note: Illustration is provided for assembly or repair purposes only. Individual components, unless number is provided above, are not available separately.

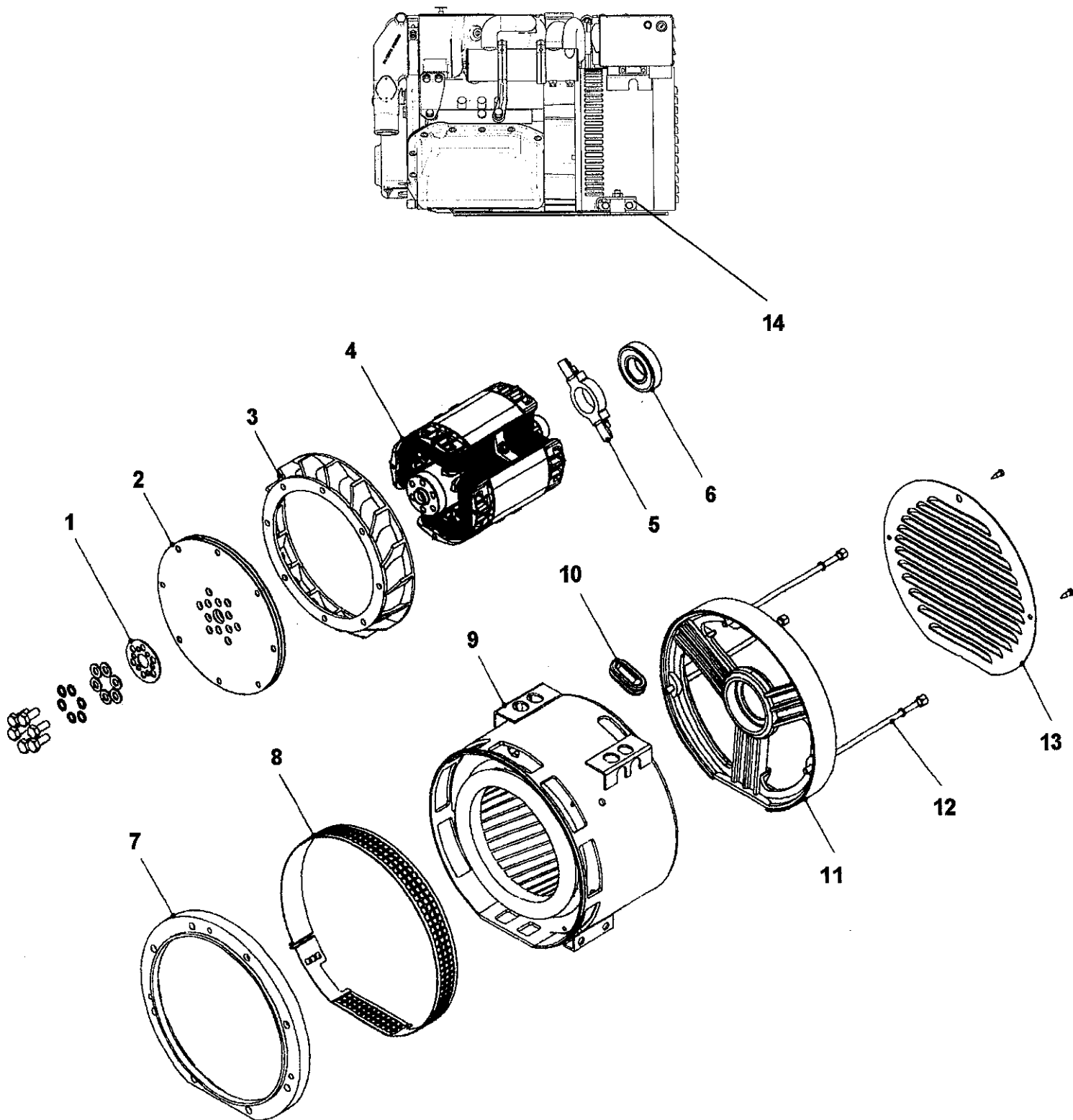
WESTERBEKE LOW PROFILE GENERATOR - GEN END (5.0 BCGA / 7.0 BCGC) - REAR MOUNTS



WESTERBEKE LOW PROFILE GENERATOR - GEN END (5.0 BCGA / 7.0 BCGC) - REAR MOUNTS

| REF | PN | NAME / REMARKS | QUAN |
|------|--------|-----------------------------------|------|
| 1 | 048762 | O-RING | 1 |
| 2 | 048757 | COVER,GENERATOR END 7.0 BCGC | 1 |
| 3-1 | 048763 | STATOR ASSY INCL HSNG 7.0 BCGC | 1 |
| 3-2 | NA | STATOR ASSY INCL HSNG 5.0 BCGA | 1 |
| 4 | 048764 | SCREEN,EXHAUST AIR | 1 |
| 5 | 037460 | BEARING,BALL | 1 |
| 6 | 048761 | DIODE SET,RECTIFIER | 1 |
| 7-1 | 048760 | ARMATURE 7.0 BCGC | 1 |
| 7-2 | NA | ARMATURE 5.0 BCGA | 1 |
| 8 | 048755 | KEY,HUB TO ARMATURE | 1 |
| 9 | 048756 | HUB,DRIVE DISC TO ARMATURE | 1 |
| 10 | 048758 | FAN,ALTERNATOR | 1 |
| 11 | 047862 | DISC,DRIVE | 2 |
| 12-1 | 046340 | MOUNT,REAR RIGHT | 1 |
| 12-2 | 046431 | MOUNT,REAR LEFT | 1 |
| | 048256 | GENERATOR END COMPLETE 7.0KW BCGC | 1 |
| | 048583 | GENERATOR END COMPLETE 5.0KW BCGA | 1 |

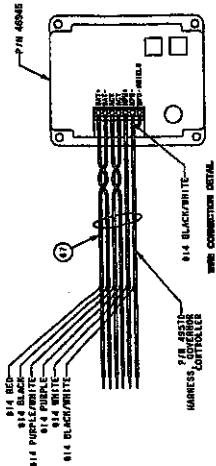
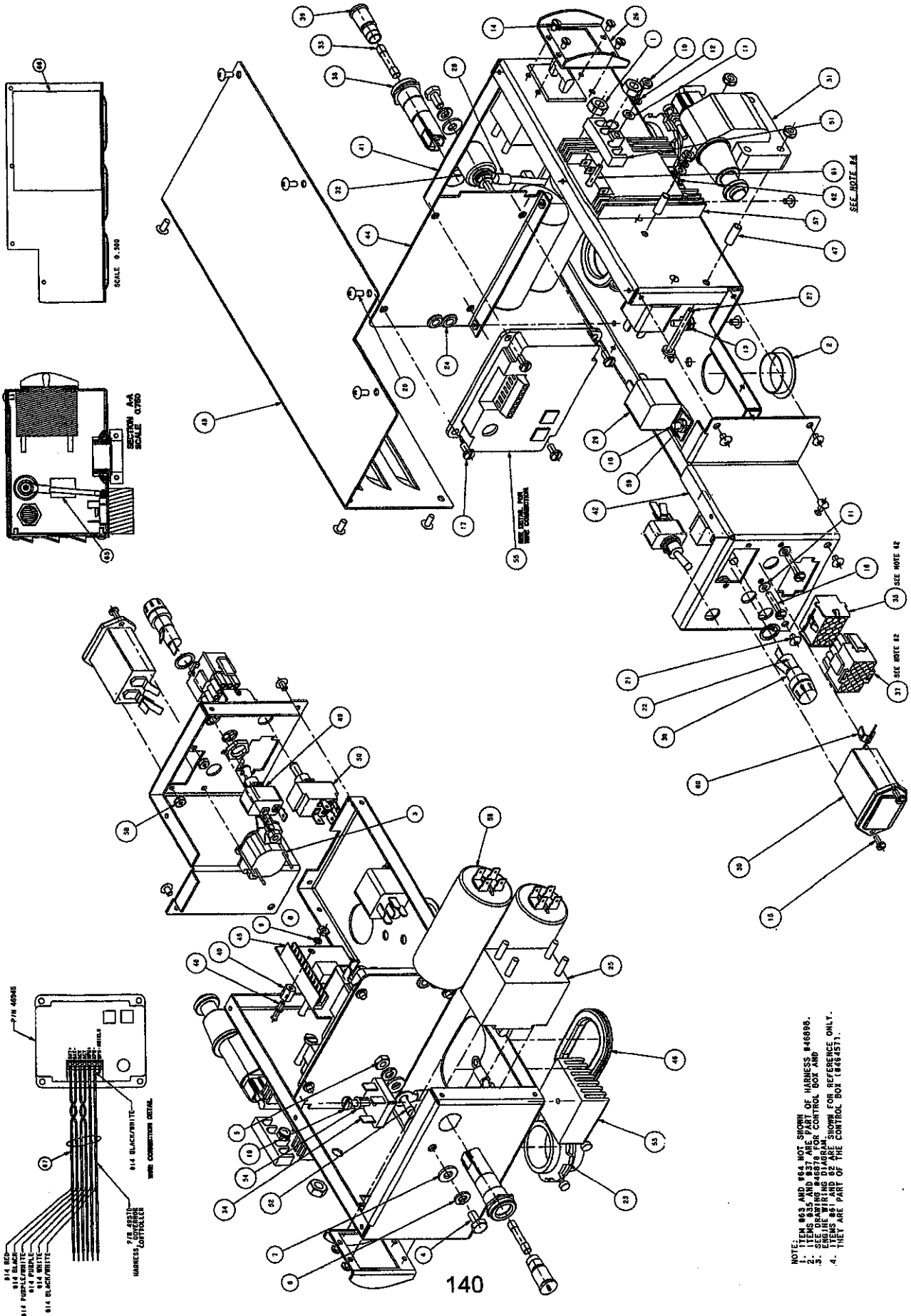
WESTERBEKE LOW PROFILE GENERATOR - GEN END (5.0 BCG / 7.0 BCGD) - REAR MOUNTS



WESTERBEKE LOW PROFILE GENERATOR - GEN END (5.0 BCG / 7.0 BCGD) - REAR MOUNTS

| REF | PN | NAME / REMARKS | QUAN |
|------|--------|-----------------------------------|------|
| 1 | 054362 | PLATE,DRIVE DISC TO ARMATURE | 1 |
| 2 | 054361 | PLATE,DRIVE DISC | 2 |
| 3 | 054363 | FAN | 1 |
| 4-1 | 054356 | ARMATURE 5.0 BCG | 1 |
| 4-2 | 054357 | ARMATURE 7.0 BCGD | 1 |
| 5 | 035971 | DIODE SET,BC GENERATOR | 1 |
| 6 | 054364 | BEARING,BALL | 1 |
| 7 | 054360 | HOUSING,FRONT | 1 |
| 8 | 054368 | GUARD,ALTERNATOR AIR 7.0 BCGD | 1 |
| 9-1 | 054352 | STATOR ASSY INCL HSG 5.0BCG | 1 |
| 9-2 | 054354 | STATOR 5.0 BCG | 1 |
| 9-3 | 054353 | STATOR ASSY INCL HSG 7.0BCGD | 1 |
| 9-4 | 054355 | STATOR 7.0 BCGD | 1 |
| 10 | 054365 | GROMMET,AC OUTPUT | 1 |
| 11 | 054359 | HOUSING,REAR | 1 |
| 12-1 | 054366 | BOLT,STATOR THRU 5.0 BCG | 3 |
| 12-2 | 054367 | BOLT,STATOR THRU 7.0 BCGD | 3 |
| 13 | 054358 | COVER,GENERATOR END | 1 |
| 14-1 | 046340 | MOUNT,REAR RIGHT | 1 |
| 14-2 | 046431 | MOUNT,REAR LEFT | 1 |
| | 047103 | GENERATOR END COMPLETE 5.0 KW BCG | 1 |
| | 049764 | GENERATOR END COMPLETE 7.0KW BCGD | 1 |
| | 049759 | GENERATOR KIT 7.0KW C TO D | 1 |

WESTERBEKE LOW PROFILE GENERATOR - PANEL BOX ASSEMBLY



NOTE:
 1. ITEM #63 AND #64 NOT SHOWN
 2. ITEMS #35 AND #37 ARE PART OF HARNESS #46898.
 3. SEE THE WIRING DIAGRAM, CONTROL BOX AND
 4. ITEMS #61 AND #62 ARE SHOWN FOR REFERENCE ONLY.
 THEY ARE PART OF THE CONTROL BOX (484251).

WESTERBEKE LOW PROFILE GENERATOR - PANEL BOX ASSEMBLY

| REF | PN | NAME / REMARKS | QUAN |
|------|--------|--|------|
| 1 | 018242 | NUT M 8 | 2 |
| 2 | 023937 | BUSHING,SNAP,1.250 DIA | 1 |
| 3 | 024683 | BREAKER,CIRCUIT 20 AMP | 1 |
| 4 | 031501 | CAPSCREW 1/4NCx1/2 | 1 |
| 5 | 031750 | NUT 1/4-20 NC | 1 |
| 6 | 031752 | LOCKWASHER 1/4 | 2 |
| 7 | 031753 | WASHER,FLAT | 2 |
| 8 | 031837 | NUT 6-32 | 2 |
| 9 | 031839 | LOCKWASHER 6 | 4 |
| 10 | 031842 | NUT 8-32 | 2 |
| 11 | 031843 | WASHER,FLAT 8 | 4 |
| 12 | 031844 | LOCKWASHER 8 | 2 |
| 13 | 031848 | WASHER,FLAT 10 | 1 |
| 14 | 031852 | SCREW 6-32 X 1/4 | 4 |
| 15 | 031853 | SCREW 6-32 X 3/8 | 2 |
| 16 | 031866 | SCREW 8-32 X 7/8 | 2 |
| 17 | 031871 | SCREW 10-32 X 3/8 | 4 |
| 18 | 031872 | SCREW 10-32 X 1/2 | 2 |
| 19 | 031874 | SCREW 10-32x3/4 | 2 |
| 20 | 031891 | SCREW 8-32 X 3/8 | 9 |
| 21 | 031936 | SCREW 8-32 X 1/4 | 7 |
| 22 | 033769 | FUSE 8 AMP | 1 |
| 23 | 036737 | CONNECTOR,BOX | 1 |
| 24 | 038434 | GROMMET 1/4ID,3/8HOLE | 2 |
| 25-1 | 042714 | BREAKER,CIRCUIT 30AMP (7.0 BCGC / BCGD 60HZ) | 1 |
| 25-2 | 042713 | BREAKER,CIRCUIT 25AMP (5.8 BCGC / BCGD 50HZ) | 1 |
| 25-3 | 042232 | BREAKER,CIRCUIT 20AMP (5.0 BCG / BCGA 60HZ) | 1 |
| 25-4 | 042232 | BREAKER,CIRCUIT 20AMP (4.2 BCG / BCGA 50HZ) | 1 |
| 26 | 039082 | GUARD,CIRCUIT BREAKER HANDLE | 1 |
| 27 | 039470 | SCREW 10-32x1-3/4 | 2 |
| 28 | 039765 | WIRE,GENERATOR GROUND | 1 |
| 29 | 041150 | RELAY 12VDC 30A | 2 |
| 30 | 042388 | METER,HOUR 12-24VDC | 1 |
| 31 | 042520 | COIL,IGNITION | 1 |
| 32 | 043086 | TERMINAL,BATTERY CHARGER OUT | 1 |
| 33 | 043634 | FUSE 30A | 1 |
| 34 | 043649 | RECTIFIER 50 AMP | 1 |
| 35 | 046898 | HARNESS,PANEL BOX MOUNTED (female 15 pin remote connector) | 1 |

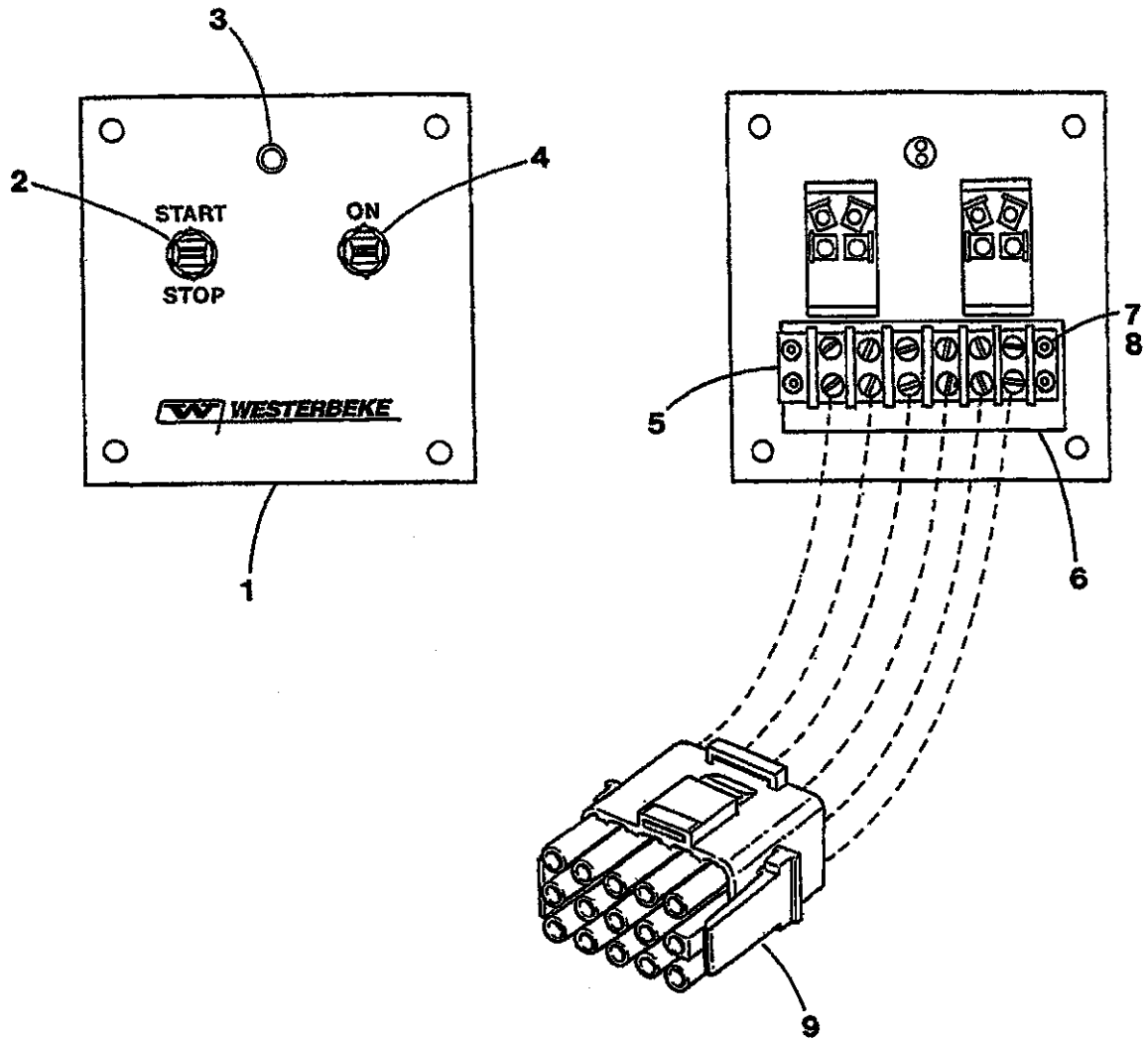
Not shown on illustration.

046809 HEADER 12 PIN CABLE (Overspeed board plug)

WESTERBEKE LOW PROFILE GENERATOR - PANEL BOX ASSEMBLY

| REF | PN | NAME / REMARKS | QUAN |
|------|--------|---|------|
| 36 | 043747 | HOLDER,FUSE | 1 |
| 37 | 046728 | CONNECTOR,MALE W/JUMPER | 1 |
| 38 | 043828 | HOLDER,FUSE-BODY | 1 |
| 39 | 043829 | CARRIER,FUSE-43828 BODY | 1 |
| 40 | 043908 | STANDOFF | 2 |
| 41 | 046457 | BOX,GENSET CTL PNL | 1 |
| 42 | 046458 | PANEL,GENSET CNTRL | 1 |
| 43 | 046459 | COVER,CONTROL BOX | 1 |
| 44 | 046460 | DIVIDER,CONTROL BOX | 1 |
| 45-1 | 046723 | PC BOARD ASSY,OVERSPEED 60HZ | 1 |
| 45-2 | 048801 | PC BOARD ASSY,OVERSPEED 50HZ | 1 |
| 46 | 046802 | GROMMET | 1 |
| 47 | 046883 | SPACER,IGNITION COIL MTG | 2 |
| 48 | 046884 | SCREW 6-32x3/4 FLAT | 2 |
| 49 | 048261 | SWITCH,TOGGLE,SPST | 1 |
| 50 | 048262 | SWITCH,TOGGLE,2 CIRCUIT | 1 |
| 51 | 048776 | GUARD,BATTERY CHARGER TERMINAL | 1 |
| 52 | 048800 | STUD 1/4NCx1-1/8 | 1 |
| 53 | 048805 | SINK,HEAT | 1 |
| 54 | 049181 | WASHER,SERRATED | 1 |
| 55 | 046945 | CONTROLLER,GOVNR 12/24 NO-OVER | 1 |
| 56-1 | 049627 | CAPACITOR 35MFD,450VAC (7.0 BCGD, do not mix sizes) | 2 |
| 56-2 | 046639 | CAPACITOR 40MFD,450VAC (5.8 BCGD, do not mix sizes) | 2 |
| 56-3 | 046875 | CAPACITOR 25MFD,450VAC (5.0 BCG, do not mix sizes) | 2 |
| 56-4 | 048018 | CAPACITOR 60MFD,450VAC (7.0 BCGC post E301, do not mix sizes) | 2 |
| 56-5 | 048816 | CAPACITOR 55MFD,450VAC (7.0 BCGC post E301, do not mix sizes) | 2 |
| 56-6 | 046801 | CAPACITOR 45MFD,450VAC (7.0 BCGC pre E301, do not mix sizes) | 2 |
| 56-7 | 046978 | CAPACITOR 31.5MFD,450VAC (4.2 BCG, do not mix sizes) | 2 |
| 57-1 | 049845 | CHARGER,BATTERY NBC17 (post E501 date code) | 1 |
| 57-2 | 043096 | CHARGER,BATTERY NBC17 (pre E501 date code) | 1 |
| 58 | 050234 | NUT 6-32 | 2 |
| 59 | 200125 | NUT 10-32 | 6 |
| 60 | 301622 | ADAPTER,DOUBLE MALE/FEMALE | 2 |
| 61 | NA | PEMSTUD (Not available) | 1 |
| 62 | NA | PEMSTUD (Not available) | 1 |
| 63 | 046898 | HARNESS,PANEL BOX (Not shown) | 1 |
| 64 | 046643 | HARNESS,GENSET (Not shown) | 1 |
| 65 | 047082 | LABEL,GROUND SYMBOL | 1 |
| 66 | 047102 | LABEL,AC OUTPUT 5.0 BCG 7 BCGD | 1 |
| 67 | 049570 | HARNESS,GOVERNOR CONTROLLER | 1 |

WESTERBEKE LOW PROFILE GENERATOR - REMOTE CONTROL PANEL

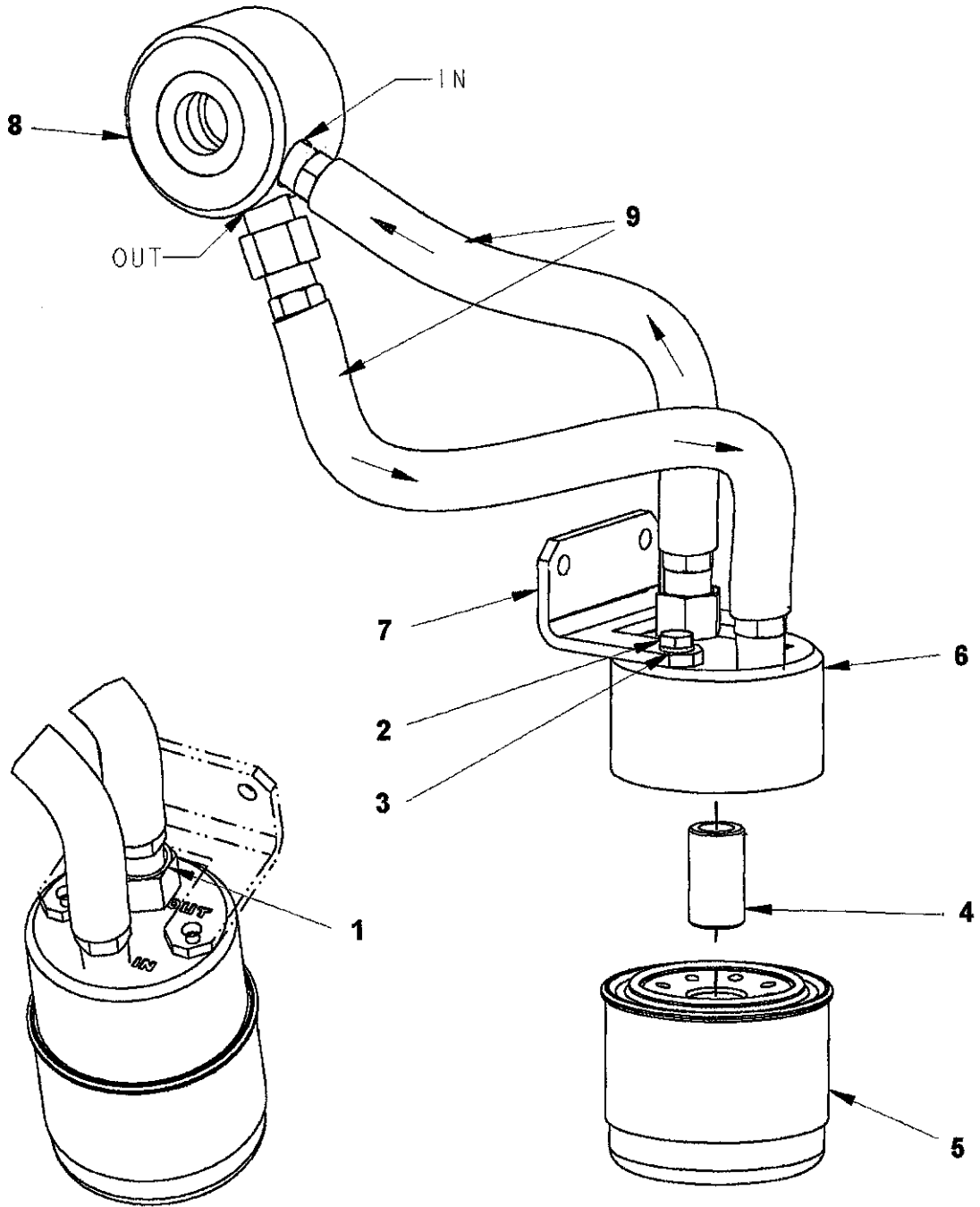


WESTERBEKE LOW PROFILE GENERATOR - REMOTE CONTROL PANEL

| REF | PN | NAME / REMARKS | QUAN |
|------|--------|--|------|
| 1-1 | 043912 | PANEL,REMOTE CONTROL (complete panel) | 1 |
| 1-2 | 042436 | PANEL,PLATE REMOTE (blank plate) | 1 |
| 2 | 048262 | SWITCH,TOGGLE,2 CIRCUIT | 1 |
| 3 | 032975 | LED,GREEN LENS | 1 |
| 4 | 033632 | SWITCH,TOGGLE | 1 |
| 5 | 042496 | BLOCK,TERMINAL 6 POS | 1 |
| 6 | 042498 | MARKER,TERMINAL BLOCK 42496 | 1 |
| 7 | 050559 | NUT 6-32 SMALL HEX | 4 |
| 8 | 031839 | LOCKWASHER 6 MED | 4 |
| 9 | 043913 | HARNESS,GEN PANEL | 1 |
| 10-1 | 043914 | CABLE 15' EXTENSION 15 PIN GAS (not shown) | 1 |
| 10-2 | 043860 | CABLE 30' EXTENSION 15 PIN GAS (not shown) | 1 |

Note: Use wire diagrams 42826 and 43912.

WESTERBEKE LOW PROFILE - REMOTE OIL FILTER KIT



WESTERBEKE LOW PROFILE GENERATOR - REMOTE LUBE OIL FILTER

| REF | PN | NAME / REMARKS | QUAN |
|-----|--------|---------------------------|------|
| 1 | 013348 | CONNECTOR,MALE | 2 |
| 2 | 031503 | CAPSCREW 1/4NC | 2 |
| 3 | 031752 | LOCKWASHER 1/4 | 2 |
| 4 | 034663 | NIPPLE,OIL FILTER | 1 |
| 5 | 036918 | FILTER,OIL | 1 |
| 6 | 040073 | ADAPTER,REMOTE OIL FILTER | 1 |
| 7 | 040074 | BRACKET,REMOTE OIL FILTER | 1 |
| 8 | 052526 | ADAPTER,REMOTE OIL FILTER | 1 |
| 9 | 011925 | HOSE,OIL 40-1/4 LG | 1 |

Not shown in illustration.

| | | |
|--------|--------------------------------|---|
| 052527 | BOLT,BANJO-LUBE OIL ADAPTER | 1 |
| 040507 | WASHER,LUBE OIL ADAPTER | 1 |
| 052528 | FORM,INSTALL REMOTE OIL FILTER | 1 |
| 302842 | O-RING | 1 |

Complete kit.

| | | |
|--------|------------------------|---|
| 052529 | FILTER,REMOTE LUBE OIL | 1 |
|--------|------------------------|---|

WESTERBEKE LOW PROFILE GENERATOR - MISCELLANEOUS

| REF | PN | NAME / REMARKS | QUAN |
|-----|--------|--------------------------------|------|
| 1 | 047002 | PARTS KIT A 5.0BCG/A,7.0BCGC/D | 1 |
| 2 | 047003 | PARTS KIT B 5.0 BCG/A,7BCGC/D | 1 |
| 3 | 047004 | GASKET SET,UPPER 5.0 BCG/A | 1 |
| 4 | 047005 | GASKET SET,COMPLETE 5.0 BCG/A | 1 |
| 5 | 024177 | REMOTE EXPANSION TANK | 1 |
| 6 | 013758 | PAINT,RED AEROSOL CAN | 1 |
| 7 | 042307 | PAINT,WHITE AEROSOL CAN | 1 |
| 8 | NA | PARTSLIST | 1 |
| 9 | 046983 | MANUAL,OPERATOR 5 BCG/7 BCGC/D | 1 |
| 10 | 052020 | MANUAL,SERVICE 5BCG/A,7BCGC/D | 1 |
| 11 | 032008 | SWITCH,SHORE | 1 |
| 12 | 043912 | PANEL,REMOTE CONTROL BCGB GEN | 1 |
| 13 | 043914 | CABLE 15' EXTENSION 15 PIN GAS | 1 |
| 14 | 043860 | CABLE 30' EXTENSION 15 PIN GAS | 1 |
| 15 | 034936 | MUFFLER HYDRO-HUSH C | 1 |
| 16 | 033340 | CONNECTOR,HOSE 1-7/8 STRAIGHT | AR |
| 17 | 033341 | CONNECTOR,HOSE 1-7/8 45 DEGREE | AR |
| 18 | 033342 | CONNECTOR,HOSE 1-7/8 90 DEGREE | AR |
| 19 | 033943 | KIT,MUFFLER COUPLING | AR |
| 20 | 015010 | STRAINER,SEA WATER | 1 |
| 21 | 033327 | VALVE,ANTI-SIPHON | 1 |
| 22 | 052529 | FILTER,REMOTE LUBE OIL KIT | 1 |

WESTERBEKE LOW PROFILE GENERATOR - REVISION PAGE

| REF | Date | Comments |
|-----|---------|--|
| 1 | 7/28/10 | Changed 5.9 to 5.8 on cover page. |
| 2 | 7/28/10 | Corrected misspelled word page P117. |
| 3 | 1/18/12 | Page P139, removed 048256 and replaced with 49764. |
| 4 | 1/18/12 | Page P139, added 7.0 BCGC to BCGD conversion kit. |
| 5 | 1/18/12 | Page P115, added lifting eye. |
| 6 | 1/19/12 | Page P141, added header plug. |
| 7 | 1/19/12 | Page P143, changed capacitor notes. |
| 8 | 1/19/12 | Page P143, added 4.2 BCG capacitor. |
| 9 | 1/19/12 | Cover page, changed publication date. |
| 10 | 2/2/12 | Page P115, replaced 46996 with 47973 |
| 11 | | |
| 12 | | |



5.0BCG and 7.0 BCGD Maintenance Components List

| | |
|-------|--------------------------------|
| 43036 | BELT,TIMING |
| 43071 | SPARKPLUG |
| 36918 | FILTER,OIL |
| 37000 | FILTER 12 PACK 36918 |
| 47006 | ELEMENT,FUEL FILTER-BCG |
| 52064 | ELEMENT 12 PACK 47006 FUEL |
| 46519 | GASKET,EXCHANGER 2-1/4 |
| 47106 | EXCHANGER,HEAT 5.0 BCG 7.BCGC |
| 11885 | ZINC |
| 35300 | ZINC 50 PACK 11885 |
| 46622 | IMPELLER KIT 46120 PUMP |
| 52000 | IMPELLER KIT 12 PACK 46622 |
| 46623 | KIT,WATER PUMP REPAIR 46120 |
| 46123 | GASKET,EXHAUST ELBOW-MAN 4.37" |
| 46030 | CLAMP,EXHAUST ELBOW 4.37" |
| 48076 | FILTER,FUEL |
| 42026 | PUMP,SEA WATER |
| 47107 | KIT,WATER INJECTED ELBOW 90 |
| 24306 | CAP,PRESSURE 15PSI |
| 13758 | PAINT,RED AEROSOL CAN |
| 43809 | PUMP,FRESH WATER W/GASKET |
| 46813 | BELT,POLY-V 3GR 28.00 |
| 43438 | ARRESTOR,FLAME ASSY |
| 39378 | THERMOSTAT 160F 4.5-9.6 BCGT |
| 46124 | GASKET,THERMOSTAT 5.0 BCG |
| 46339 | HOSE,MANIFOLD TO FW INLET |
| 46338 | HOSE,SEA PUMP TO EXCHANGER |
| 46337 | HOSE,EXCHANGER TO EXH ELBOW |
| 46336 | HOSE,MANIFOLD TO EXCHANGER |
| 46335 | HOSE,INT MANIFLD TO THERMOSTAT |
| 46334 | HOSE,THERMOSTAT TO EXCHANGER |
| 46926 | HOSE,VALVE COVER TO SILENCER |
| 46785 | HOSE,SUMP DRAIN 9.50 IN |
| 53847 | HOSE,SUMP VACUUM 5-7 BCGD |

4/20/2010 R.C.B.



5.0BCG and 7.0 BCGD DC and AC Electrical Components List

| | |
|-------|---|
| 46309 | MOTOR,STARTER 12VDC 1.4KW |
| 48814 | SOLENOID,STARTER 46309 |
| 24683 | BREAKER,CIRCUIT 20 AMP |
| 48792 | FUSE 30A,32V SPADE STYLE |
| 48791 | HOLDER,FUSE 30A 32V SPADE STYL |
| 49845 | CHARGER,BATTERY NBC17 0.196 |
| 43649 | RECTIFIER 50 AMP BCGTC/E |
| 33769 | FUSE 8A,250V,.25x1.25 MTH-8 |
| 43747 | HOLDER,FUSE .25x1.25 20A 250V |
| 48261 | SWITCH,TOGGLE,SPST,15A,MOM ON |
| 41150 | RELAY 12VDC 30A W/DIODE |
| 43912 | PANEL,REMOTE CONTROL BCGB GEN |
| 43913 | HARNESS,GEN PANEL 43912 (15 Pin Male Plug) |
| 46930 | SOLENOID,CHOKE 12 VDC-2 TERM |
| 48262 | SWITCH,TOGGLE,2 CIRC |
| 46898 | HARNESS,PANEL BOX 46461 (15 Pin Female Plug) |
| 46723 | PC BOARD ASSY,OVERSPEED/SIGINV (48801 50HZ Version) |
| 42388 | METER,HOUR 12-24VDC |
| 46728 | CONNECTOR,MALE W/JUMPERS (To Troubleshoot Remote Panel Problem) |
| 46945 | CONTROLLER,GOVNR 12/24 NO-OVER |
| 39550 | SWITCH,TEMP 210F NC 1/4NPT 2T |
| 37323 | SWITCH,OIL PRESS NO 5# 1/8 2T |
| 32923 | SWITCH,TEMPERATURE GEN EXHAUST |
| 46796 | PUMP,LIFT 12VDC GAS |
| 48666 | SOLENOID,FUEL SHUTOFF CARBURET |
| 42520 | COIL,IGNITION 4.5-9.6 BCGT |
| 42488 | DISTRIBUTOR 4.5-9.6 BCGT |
| 46490 | ACTUATOR 12VDC 5.0-7.0 BCGA-C |
| 46874 | SENSOR,MAGNETIC 3/8NF 1.43LG |
| 35971 | DIODE SET,BC GENERATOR (Use 48761 on Coliseum Generator Ends) |
| 42714 | BREAKER,CIRCUIT 30AMP 2POLE-IP (7.0 KW) |
| 42232 | BREAKER,CIRCUIT 20AMP 2POLE-IP (5.0 KW) |
| 43634 | FUSE 30A (Battery charge circuit, AC side) |
| 43828 | HOLDER,FUSE-BODY |
| 43829 | CARRIER,FUSE-43828 BODY |
| 46969 | PANEL,GENSET CTL 7.0 BCGC |
| 46968 | PANEL,GENSET CTL 7.0 BCGD |
| 46461 | PANEL,GENSET CTL 5.0 BCG |
| 46875 | CAPACITOR 25MFD,450VAC (5.0 BCG) |
| 49627 | CAPACITOR 35MFD,450VAC (7.0 BCGD) |
| 46639 | CAPACITOR 40MFD,450VAC (5.0 BCGA) |
| 46801 | CAPACITOR 45MFD,450VAC (7.0 BCGC Pre E301) |
| 48816 | CAPACITOR 55MFD,450VAC |
| 48018 | CAPACITOR 60MFD,450VAC |

4/20/2010 R.C.B.



5.0 BCG/A and 7.0 BCGC/D mounting system hardware

| PART NUMBER/DESCRIPTION | QTY PER |
|--|---------|
| 013630 CAPSCREW M 8x25 DIN 933 | 4 EA |
| 018813 CAPSCREW M10x20 DIN 933 | 2 EA |
| 019262 LOCKWASHER M10 DIN 127 | 2 EA |
| 031775 NUT 1/2-13 NC JAM HEX STEEL | 6 EA |
| 031777 WASHER,FLAT 1/2 SAE STEEL | 2 EA |
| 031786 LOCKWASHER M 8 DIN 127 | 4 EA |
| 031787 WASHER M 8 DIN 125 | 2 EA |
| 046165 MOUNT,FRONT 5.0 BCG/A | 1 EA |
| 046235 SCREW 1/2-13x3/4 SS FLAT SOCKT | 4 EA |
| 046272 ISOLATOR,GEN 130 LB STUD MNT | 4 EA |
| 046340 MOUNT,REAR RIGHT 5.0 BCG/A | 1 EA |
| 046341 MOUNT,REAR LEFT 5.0 BCG/A | 1 EA |
| 046342 BASE,GENSET 5.0 BCGA / 7.0 BCGC | 1 EA |
| 046747 BASE,GENSET 5.0 BCG / 7.0 BCGD | 1 EA |
| 046491 STRAP,RETAINING | 3 EA |
| 046701 SCREW 1/2-13x1-1/4 SS FLAT SKT | 1 EA |

R.C.B. 12 01 05



047005

GASKET SET, COMPLETE 5.0 BCG/A - 7.0 BCGC/D

| PART NUMBER / DESCRIPTION | QTY PER |
|--|----------|
| 030242 SEAL, VALVE STEM | 6.000 EA |
| 033885 CAP, VINYL .125 ID, 0.50 INT LG | 1.000 EA |
| 041323 GASKET, LUBE OIL ADAPTER | 1.000 EA |
| 042020 GASKET, SUMP 4.5 BCGT | 1.000 EA |
| 042147 GASKET, WATER INLET | 1.000 EA |
| 042252 GASKET, EXHAUST MANIFOLD | 1.000 EA |
| 042431 GASKET, OIL FILL CAP | 1.000 EA |
| 042688 GASKET, ROCKER COVER 4-9 BCGT | 1.000 EA |
| 042912 CAP, VINYL 5/16 ID, 3/4 INT LG | 1.000 EA |
| 042960 SEAL, OIL-ROCKER COVER | 2.000 EA |
| 042966 GASKET, TIMING BELT COVER | 1.000 EA |
| 042967 GASKET, TIMING BELT COVER | 1.000 EA |
| 042969 GASKET, OIL PUMP | 1.000 EA |
| 042985 GASKET, TIMING BELT COVER | 2.000 EA |
| 042988 GASKET, TIMING BELT COVER | 1.000 EA |
| 043005 GASKET, FRESH WATER PUMP | 1.000 EA |
| 043017 SEAL, OIL CAMSHAFT | 1.000 EA |
| 043018 SEAL, OIL PUMP | 1.000 EA |
| 043027 GASKET, BALANCE SHAFT COVER | 1.000 EA |
| 043029 GASKET, HEAD | 1.000 EA |
| 043030 GASKET, TIMING CASE TO BLOCK | 1.000 EA |
| 043046 SEAL, OIL | 1.000 EA |
| 043048 SEAL, OIL | 1.000 EA |
| 043049 O-RING, DISTRIBUTOR | 1.000 EA |
| 043287 GASKET, INTAKE MANIFOLD | 1.000 EA |
| 046123 GASKET, EXHAUST ELBOW-MAN 4.37" | 1.000 EA |
| 046124 GASKET, THERMOSTAT | 1.000 EA |
| 046519 GASKET, EXCHANGER 2-1/4" W/HOLE | 2.000 EA |
| 046524 GASKET, INTAKE MANIFOLD TO CARB | 1.000 EA |
| 054625 GASKET, OIL PICKUP | 1.000 EA |

R.C.B. 7/20/10

