

PARTS DEPARTMENT BULLETIN

DATE: April 20, 2010

BULLETIN NUMBER: 2010-1

SUBJECT: 4-WAY ADAPTER P/N 052738

DETAIL: The 4-way Adapter P/N 052738 used in the control boxes for all D-NET™ and EDER diesel generator models is being replaced by 4-Way Adapter P/N 054656.

This change affects the mounting of this adapter in the control box. The new adapter has a different mounting base configuration and will require the drilling of new mounting holes to properly secure the adapter in the control box. If you order P/N 052738 you will receive the new adapter, 2 self-tapping screws and a template for installation (page 2 of this bulletin). If you order P/N 054656, you will receive the new adapter only which will fit current production units without the need to re-drill mounting holes.



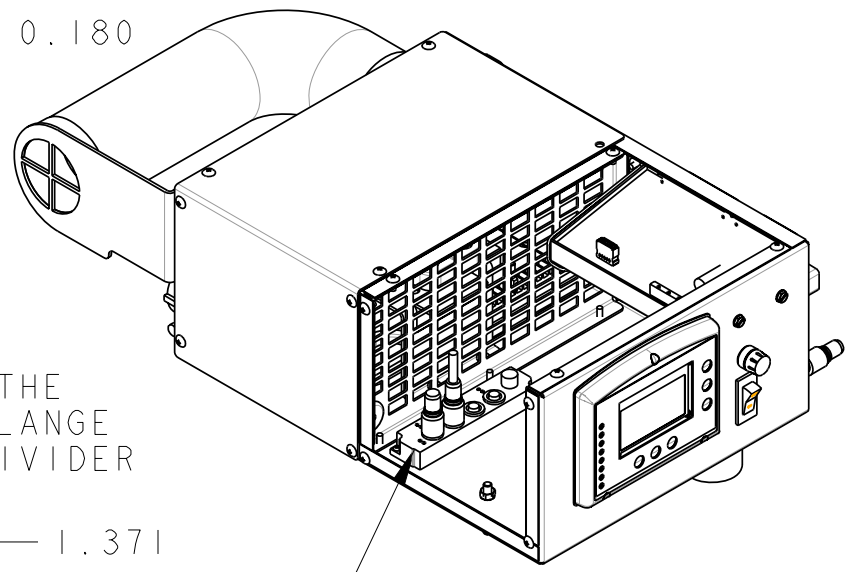
WESTERBEKE CORPORATION, Myles Standish Industrial Park, 150 John Hancock Road, Taunton, MA 02780-7319, TEL: 508.823.7677

www.westerbeke.com

www.safeCOproducts.com

ECO NO.	DATE	REV.	REVISION RECORD	AUTH.	DR. BY

SCALE 0.180

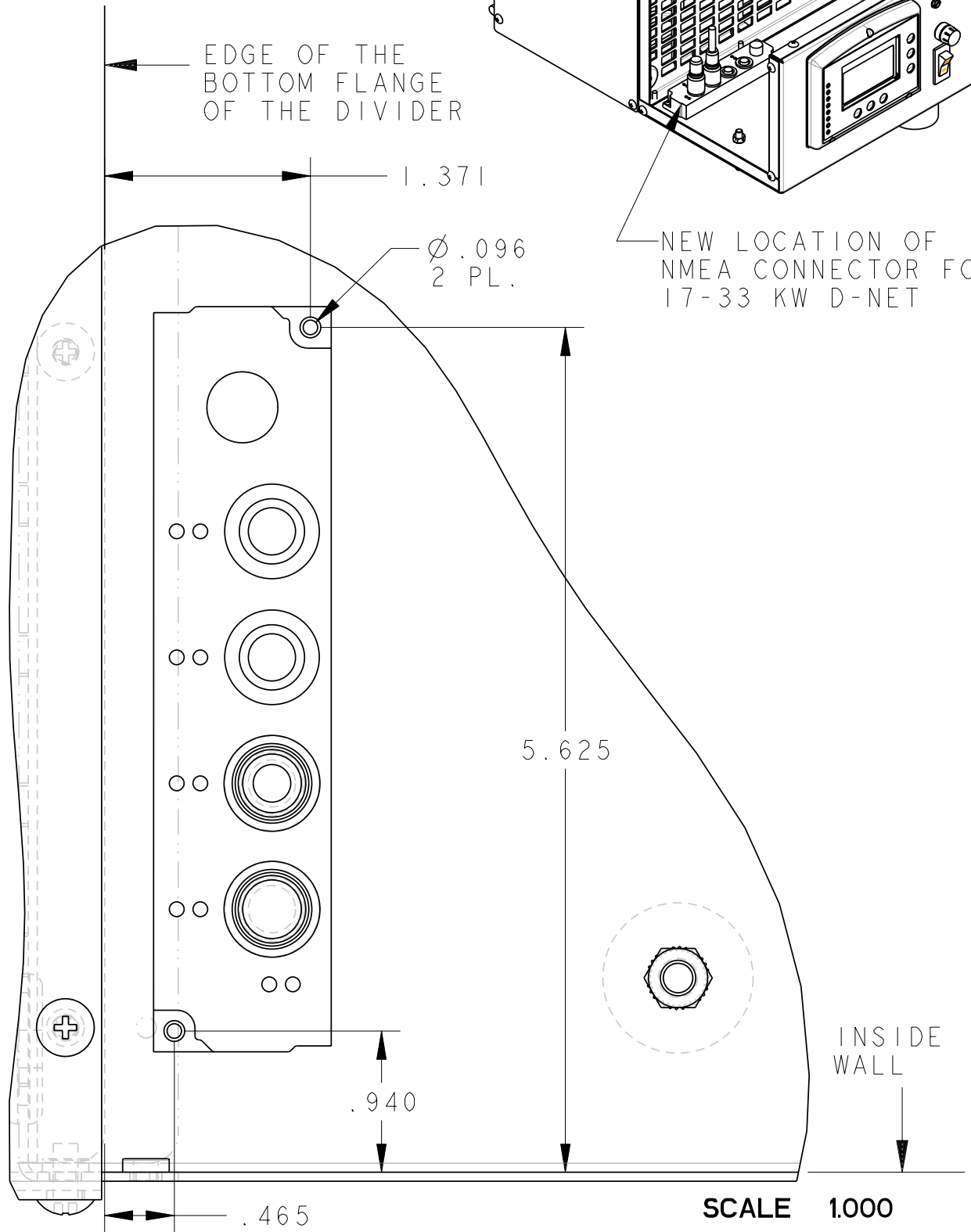


EDGE OF THE
BOTTOM FLANGE
OF THE DIVIDER

1.371

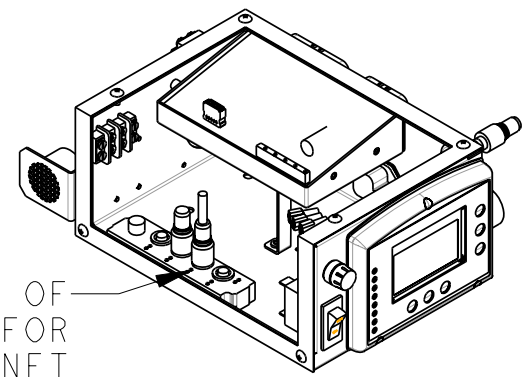
Ø .096
2 PL.

NEW LOCATION OF
NMEA CONNECTOR FOR
17-33 KW D-NET



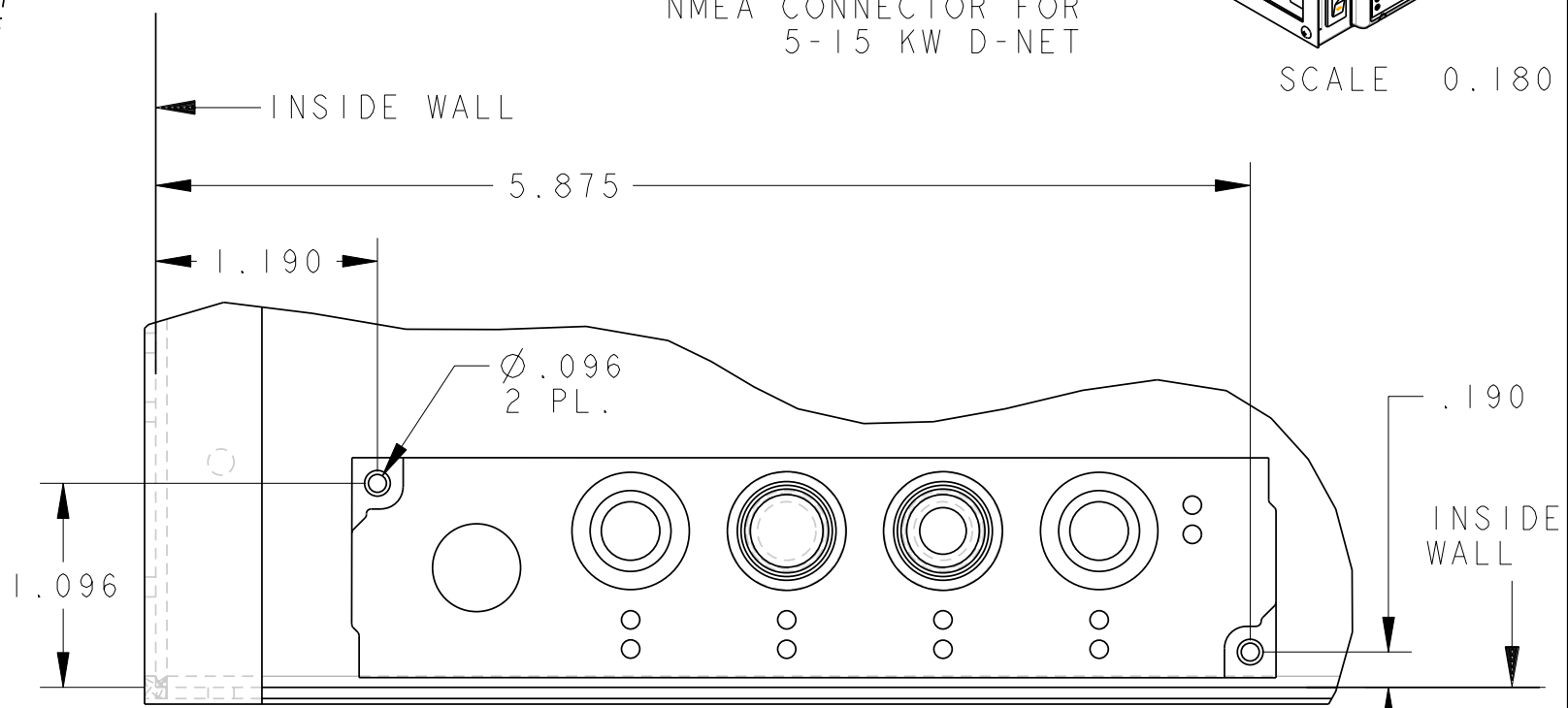
INSTALLING NEW NMEA CONNECTOR:

1. REMOVE AND DISCARD THE EXISTING HARDWARE FOR THE OLD CONNECTOR;
2. USE THIS TEMPLATE TO LOCATE NEW POSITION FOR THE CONNECTOR;
3. DRILL 2 (Ø0.096) HOSE AS SHOWN;
4. USE 2 SELF-TAPPING SCREWS PROVIDED IN THE KIT TO FASTERN THE CONNECTOR TO THE PANEL BOX.



NEW LOCATION OF
NMEA CONNECTOR FOR
5-15 KW D-NET

SCALE 0.180



TOLERANCES (UNLESS OTHERWISE NOTED)		WESTERBEKE CORPORATION TAUNTON, MA. 02780		
INCHES .XX ± 0.01 .XXX ± 0.001 ANG ± 0.5° FINISH 63	MILLIMETERS X. ± 1.0 .X ± .5 .XX ± .13	TITLE TEMPLATE, ADAPTER, NMEA 4-WAY OUTLET		
DIMENSIONS INCHES MILLIMETERS (WHEN APPLICABLE)		DRAWN BY GA	DATE 25/Feb/10	MATERIAL:
		APPROVED BY	DATE	
		SCALE 0.200	SIZE B	DRAWING NUMBER 54735
		SHT. 1 OF 1	REV.	-