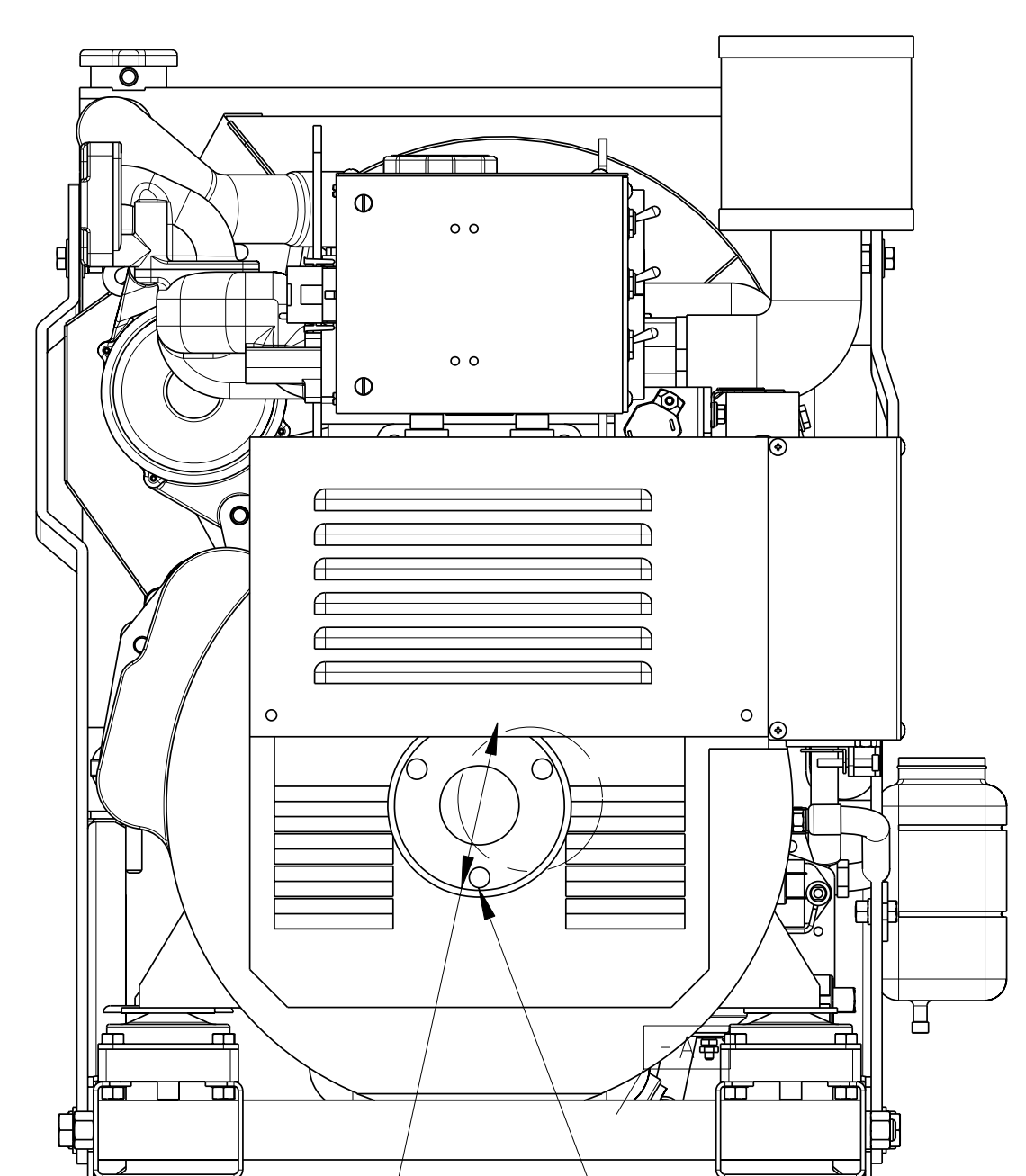
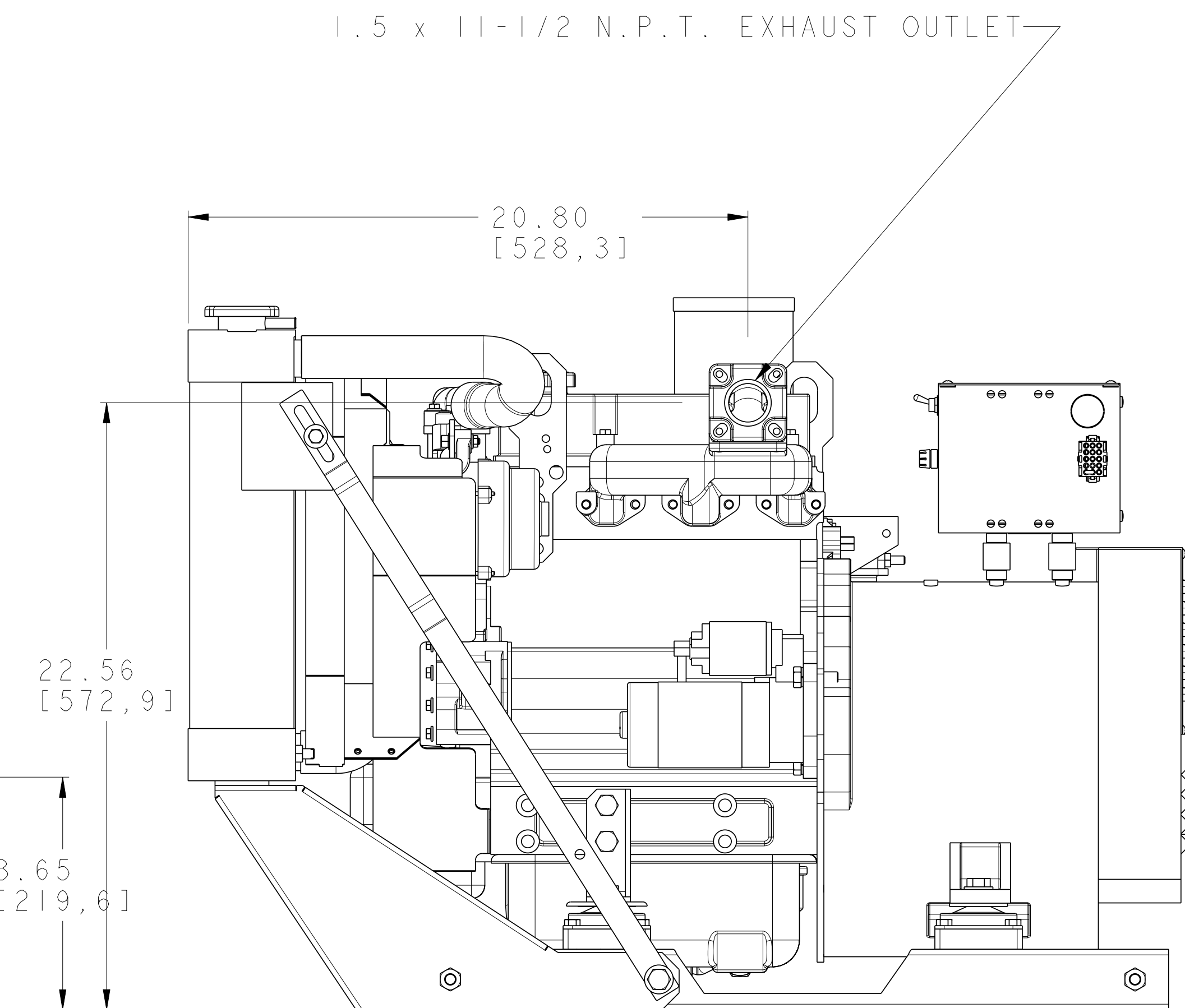
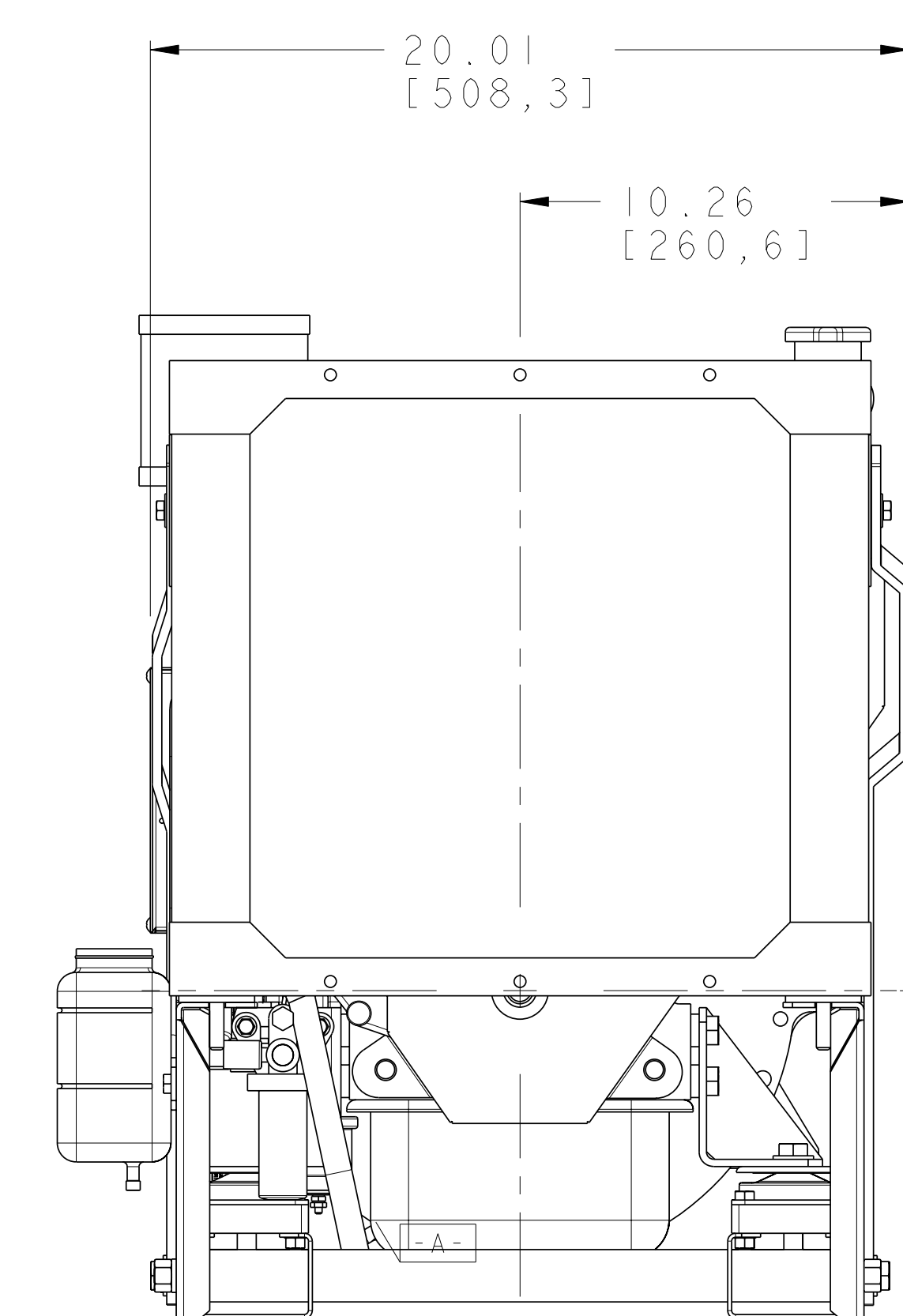
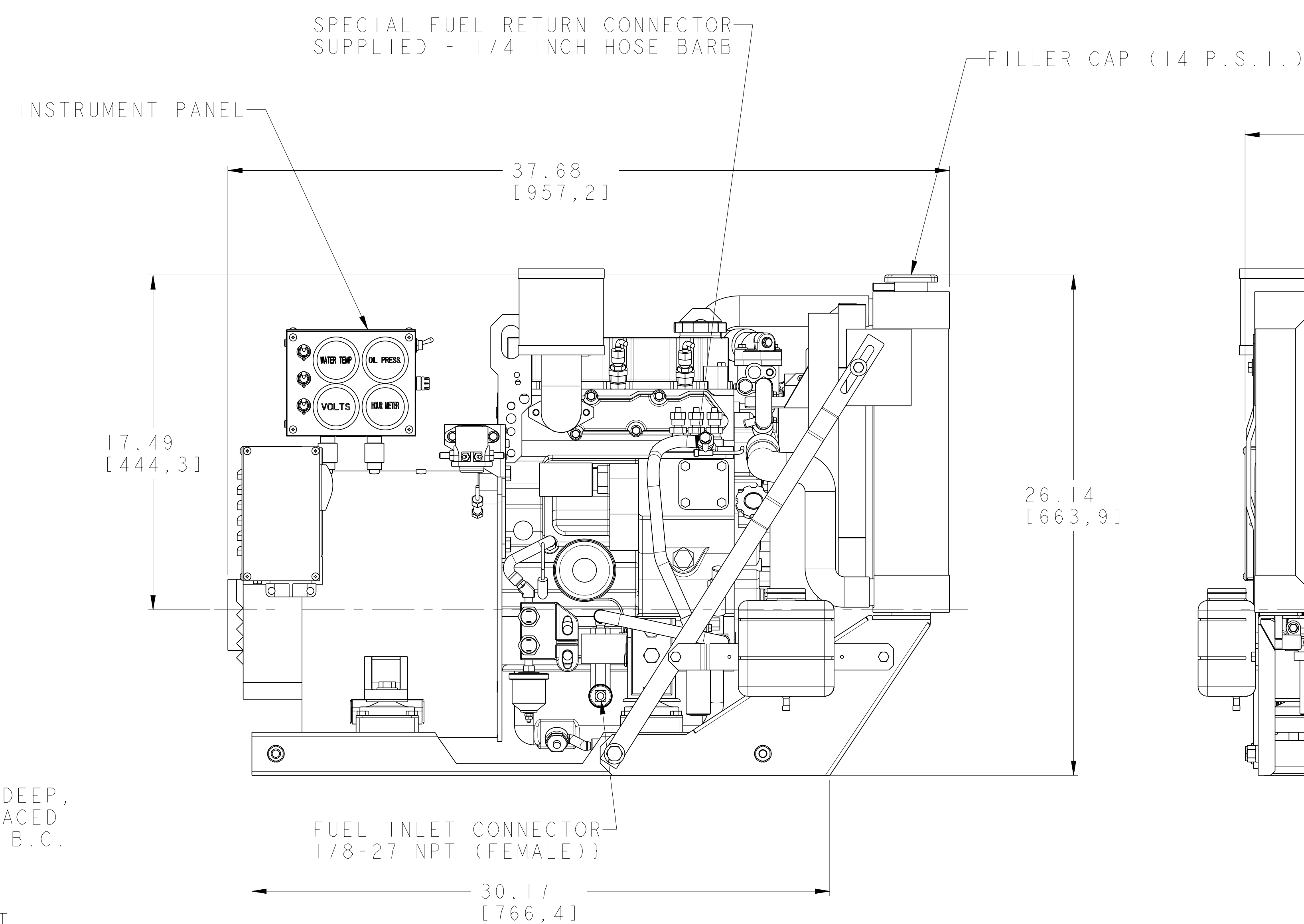
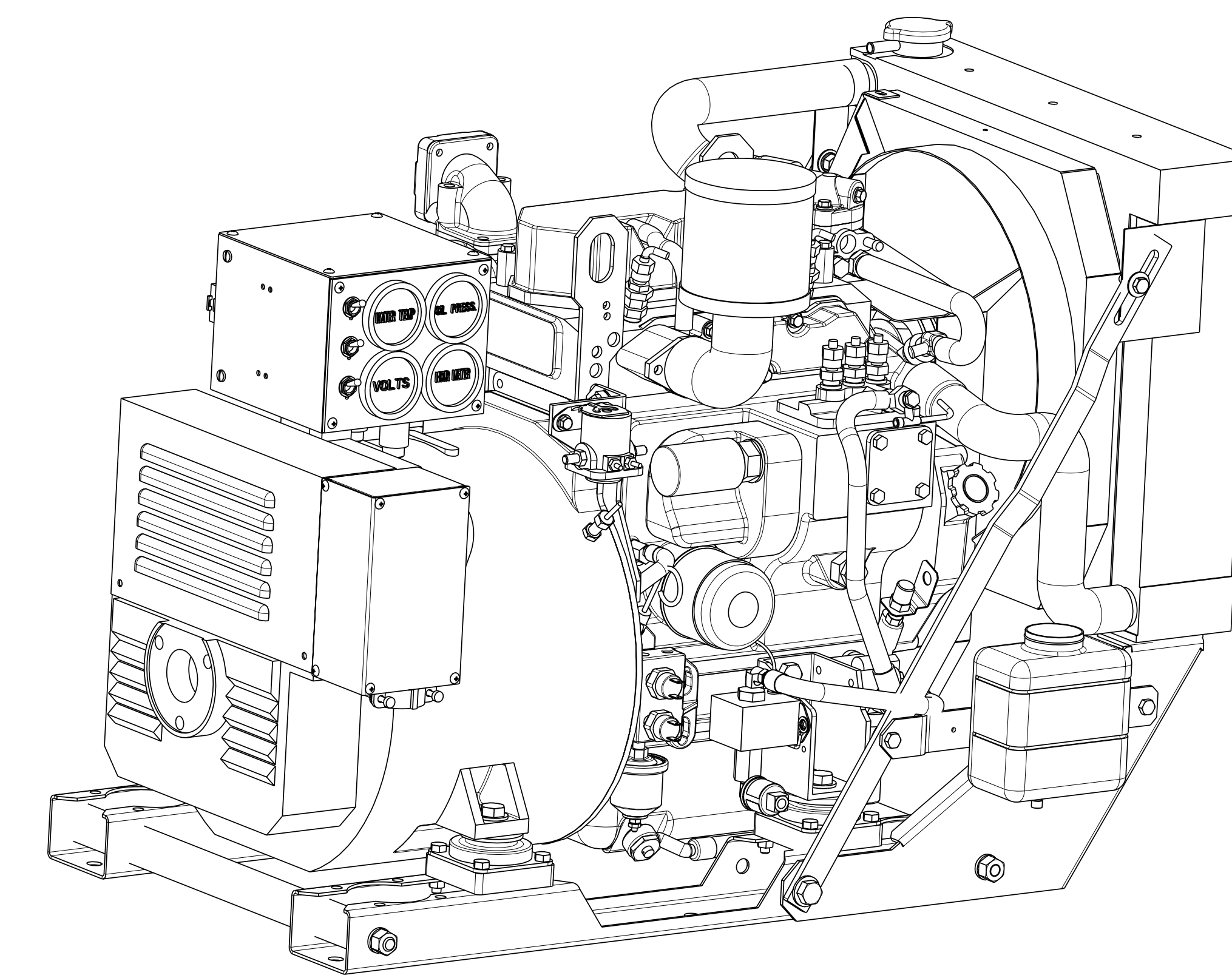
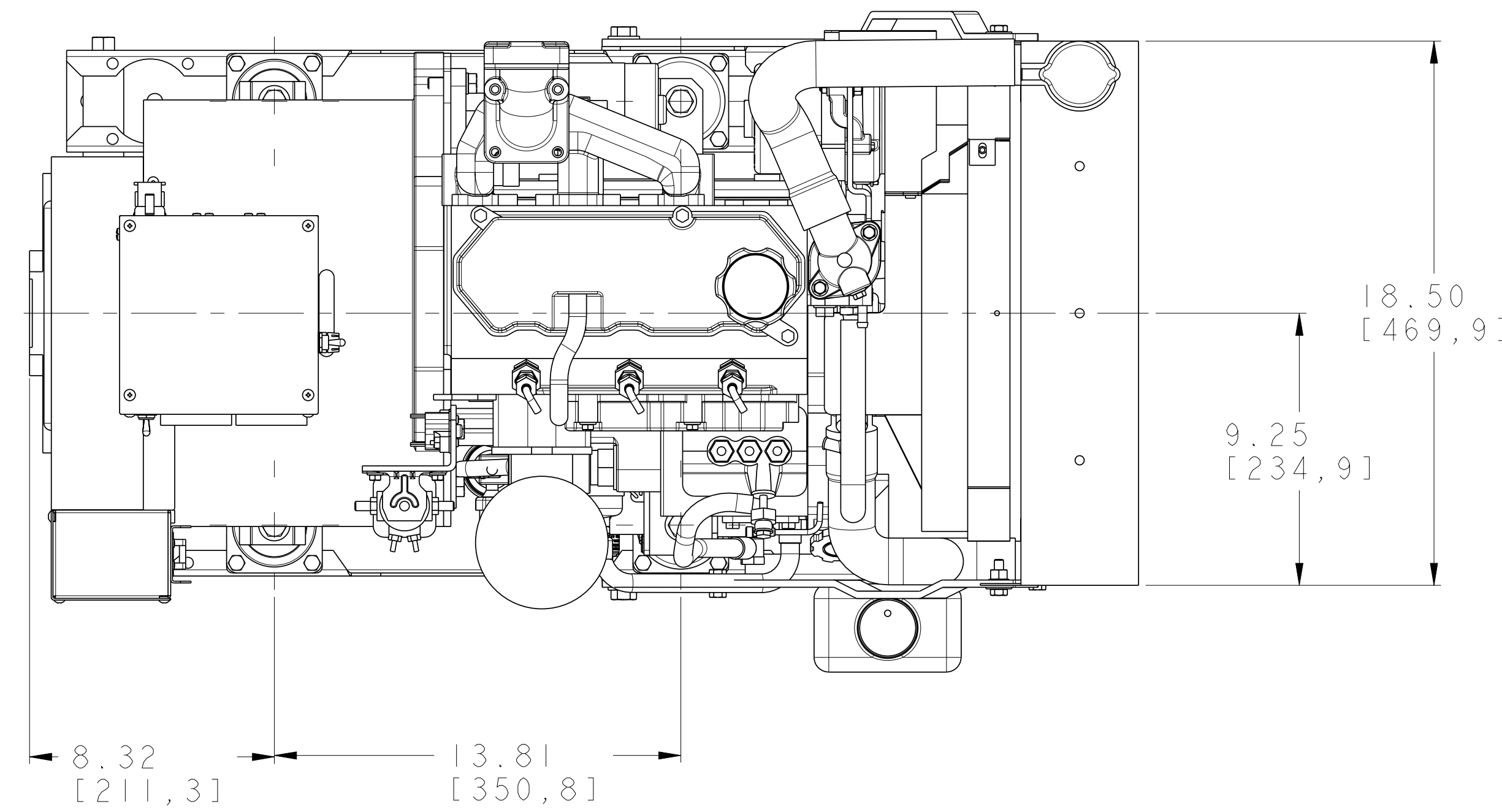
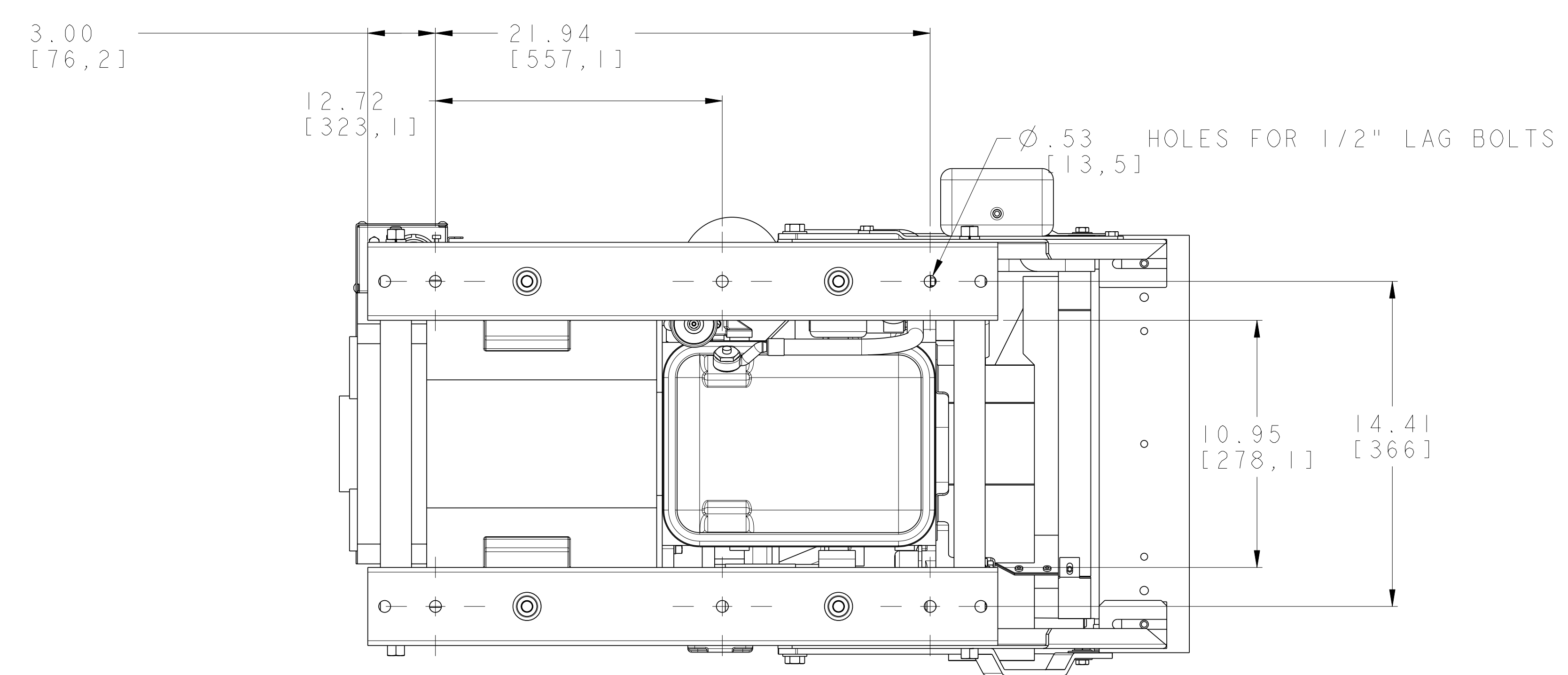


ECO NO.	DATE	REV.	REVISION RECORD	AUTH.	DR. BY
5347	8-15-2008	A	TITLE WAS 12.6 BTDR W/ ELECT GOV.		GA
6541	2-28-09	B	ADDED MODEL 11.0 BTDR		GA



M12 x 1.75 x 25mm DEEP,
3 HOLES EQUALLY SPACED
ON A Ø3.346[Ø85] B.C.

Ø3.94 x .10[2.5] DEEP PILOT
[100]



TOLERANCES (UNLESS OTHERWISE NOTED)		WESTERBEKE CORPORATION TAUNTON MA. 02780	
INCHES	MILLIMETERS	TITLE	
.XX : .02	X :	INSTALLATION DRAWING 12.0 BTDR	(A) (B)
.XXY : .005	X :	11.0 BTDR W/ ELECTRONIC GOVERNING	
CAD : .03	.XX :		
ANGLE : °			
FINISH :			
DIMENSIONS		DRAWN BY	DATE
INCHES		WRM	
MILLIMETERS		APPROVED BY	DATE
SCALE 0.250			
(WHEN APPLICABLE)		SIZE	DRAWING NUMBER
Sht. 1 of 1		E	47874
		REV.	