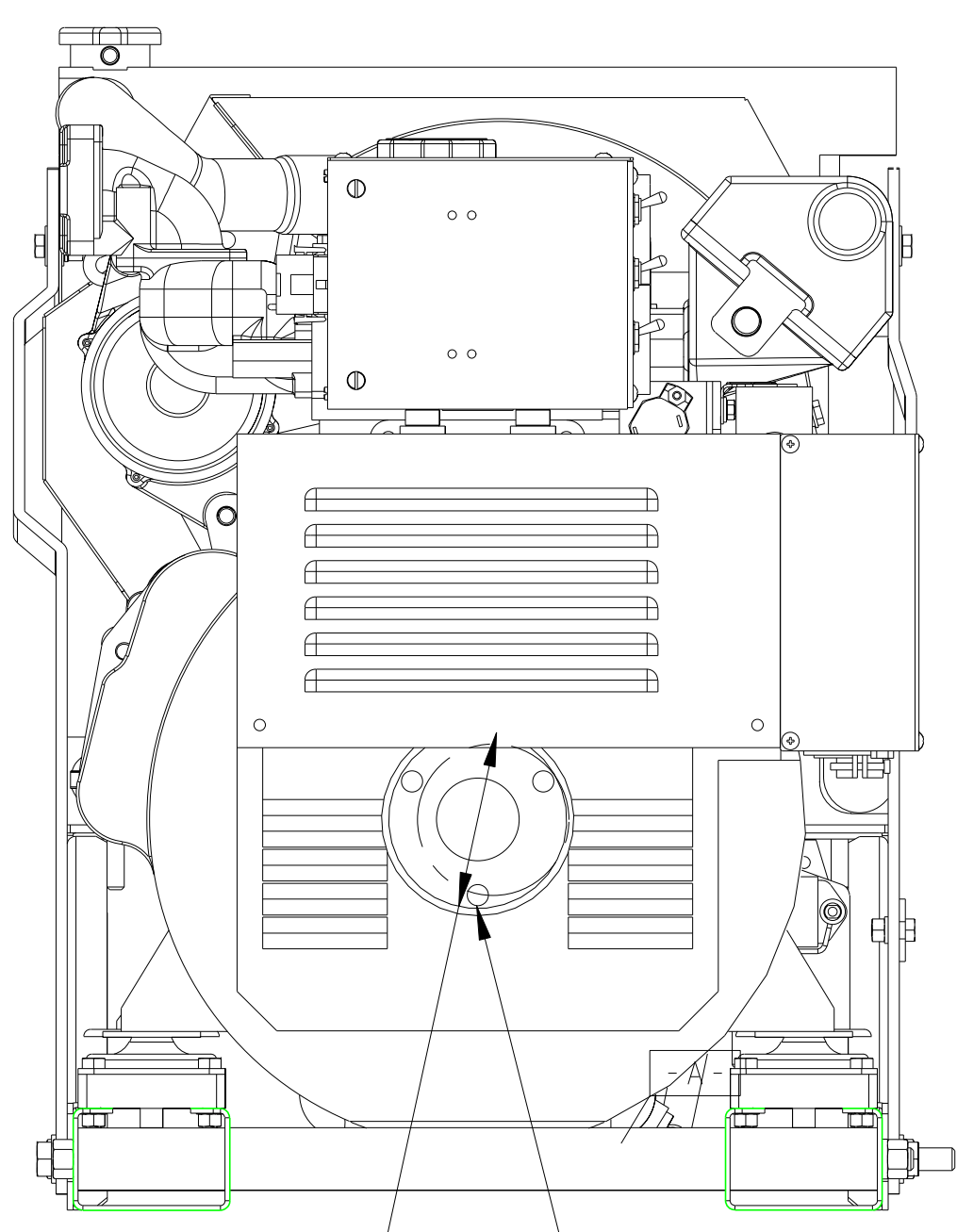
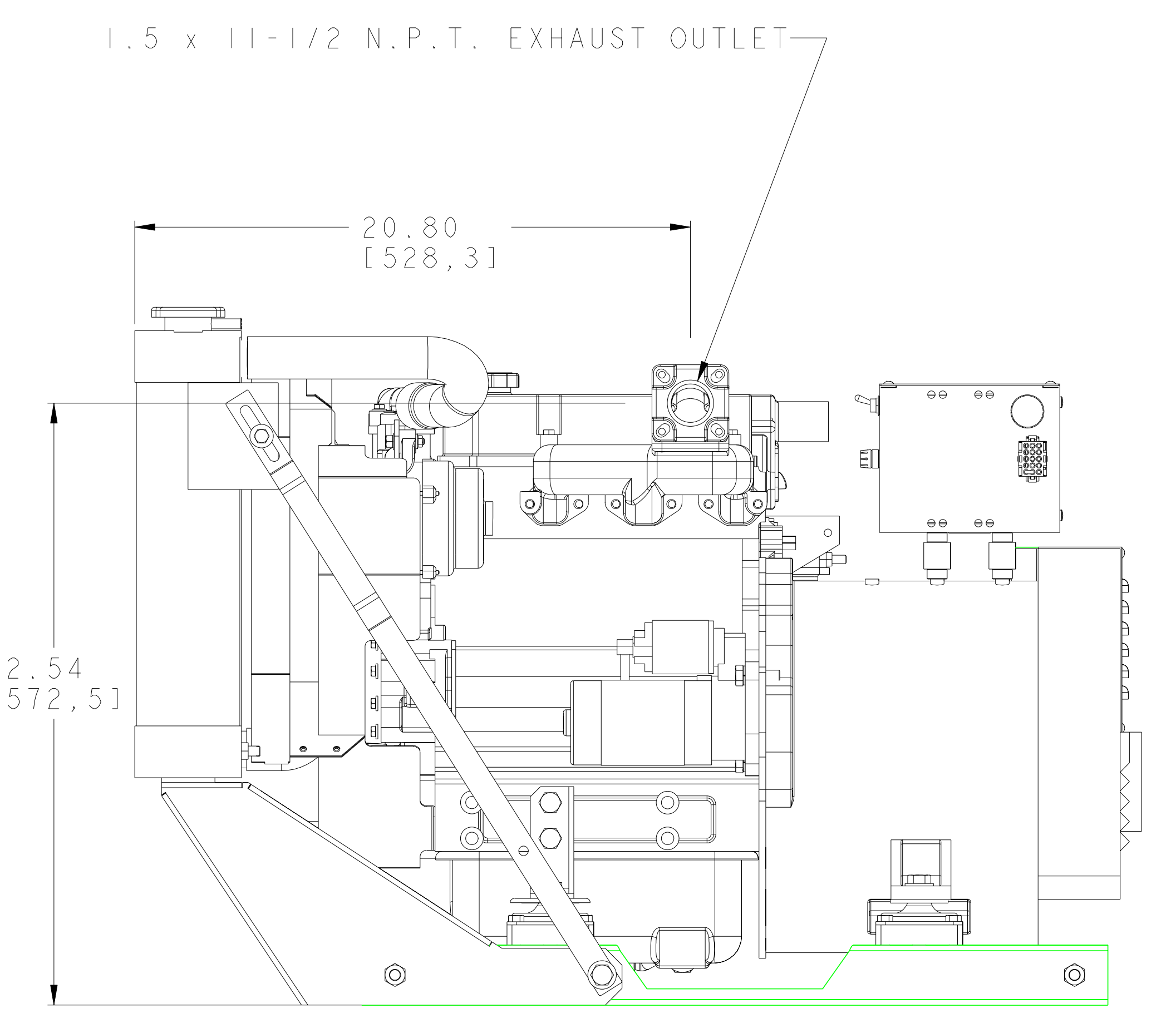
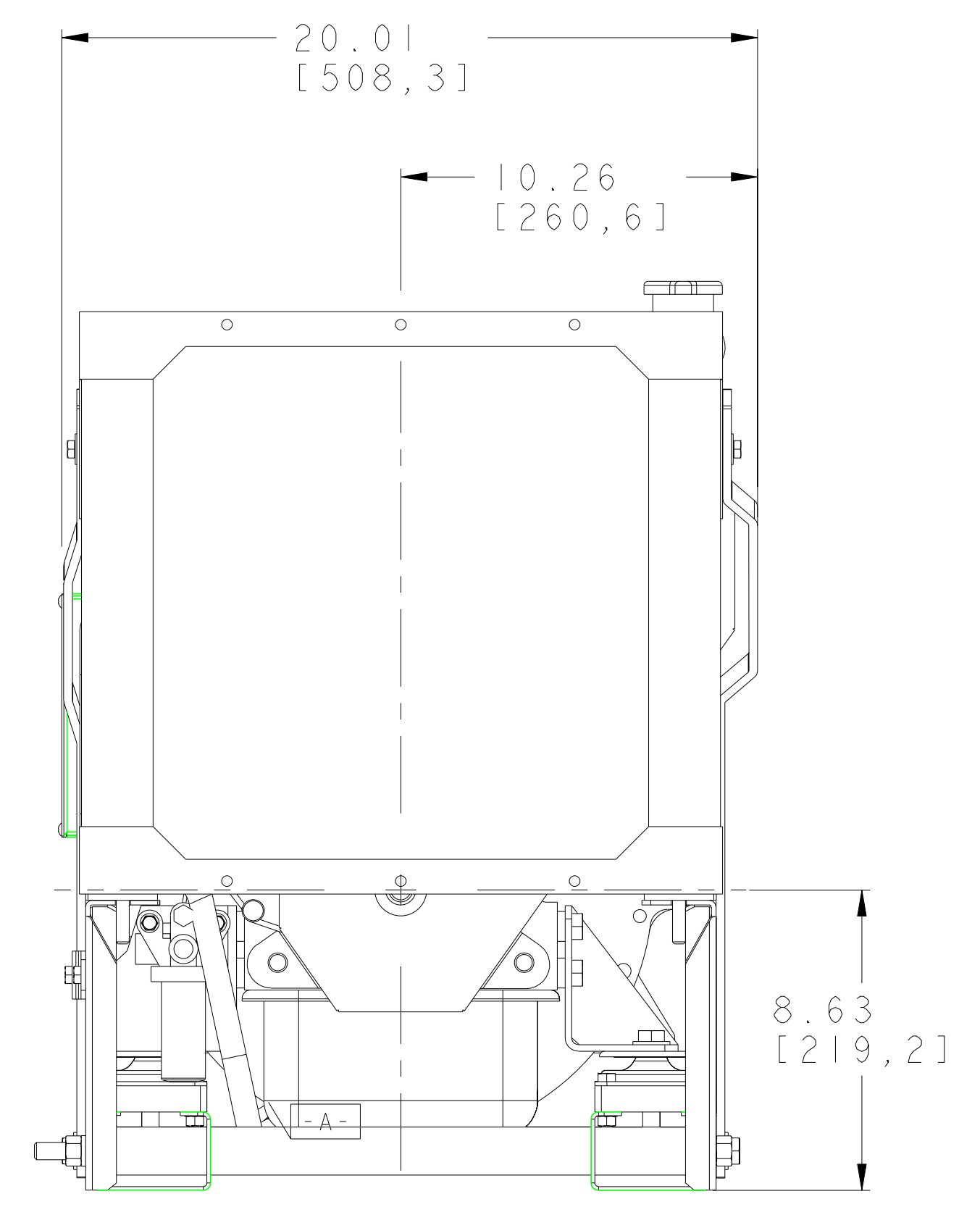
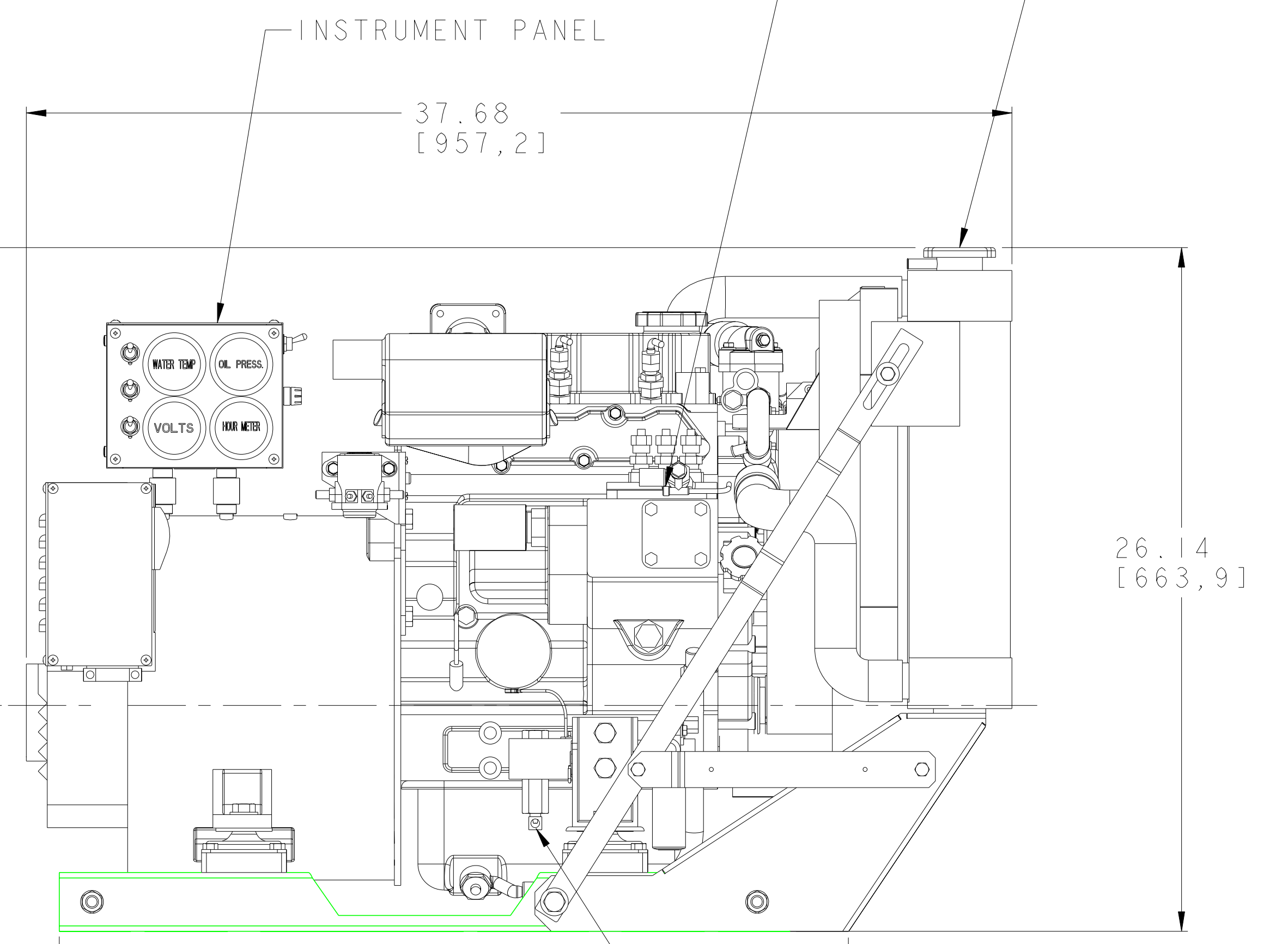


SPECIAL FUEL RETURN CONNECTOR SUPPLIED - 1/4 INCH HOSE BARB

FILLER CAP (14 P.S.I.)



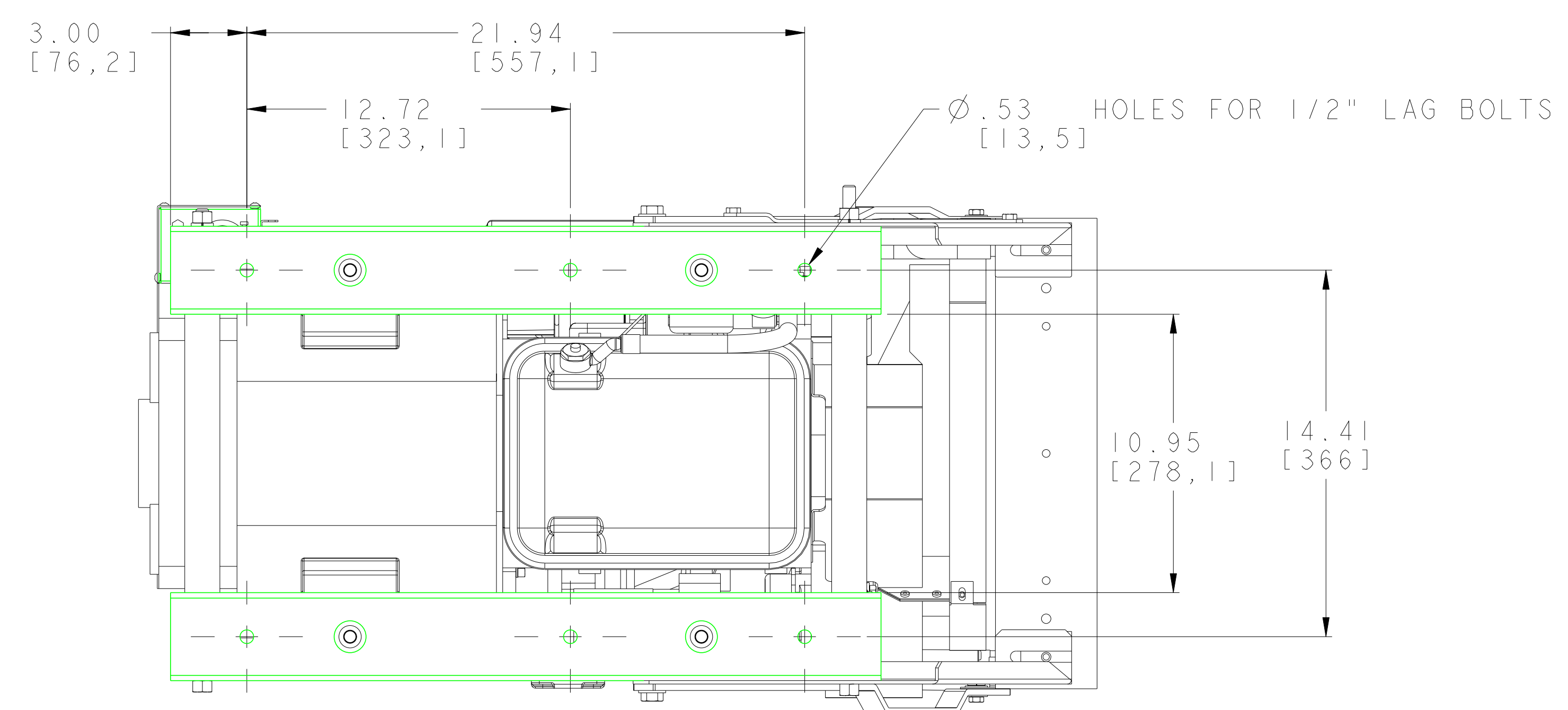
M12 x 1.75 x 25mm DEEP, 3 HOLES EQUALLY SPACED ON A Ø3.346[Ø85] B.C.

Ø3.94 x .10[2.5] DEEP PILOT [100]

FUEL INLET CONNECTOR 1/8-27 NPT (FEMALE)

30.17 [766,4]

1.5 x 11-1/2 N.P.T. EXHAUST OUTLET



TOLERANCES (UNLESS OTHERWISE NOTED)		WESTERBEKE CORPORATION TAUNTON MA. 02780	
INCHES .XX .XXX CAST FINISH	MILLIMETERS X. .XX .XX S	TITLE INSTALLATION DRAWING 12.0 BTDR W/ ELECTRONIC GOVERNING	DATE
DIMENSIONS INCHES MILLIMETERS (WHEN APPLICABLE)		APPROVED BY SCALE 0.250	MATERIAL: DATE SIZE DRAWING NUMBER REV.
		SHT. 1 OF 1	<b>E 47874</b> A