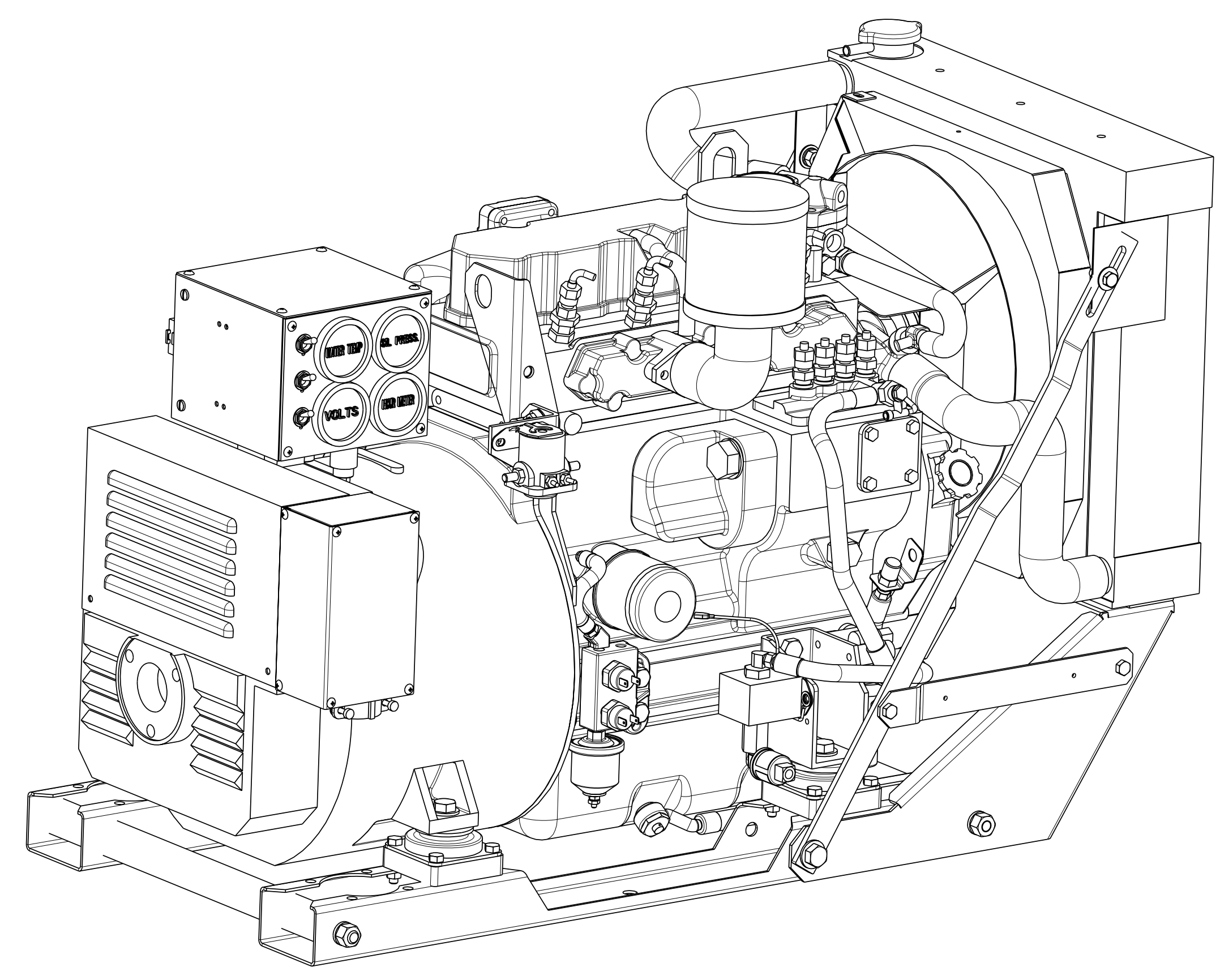
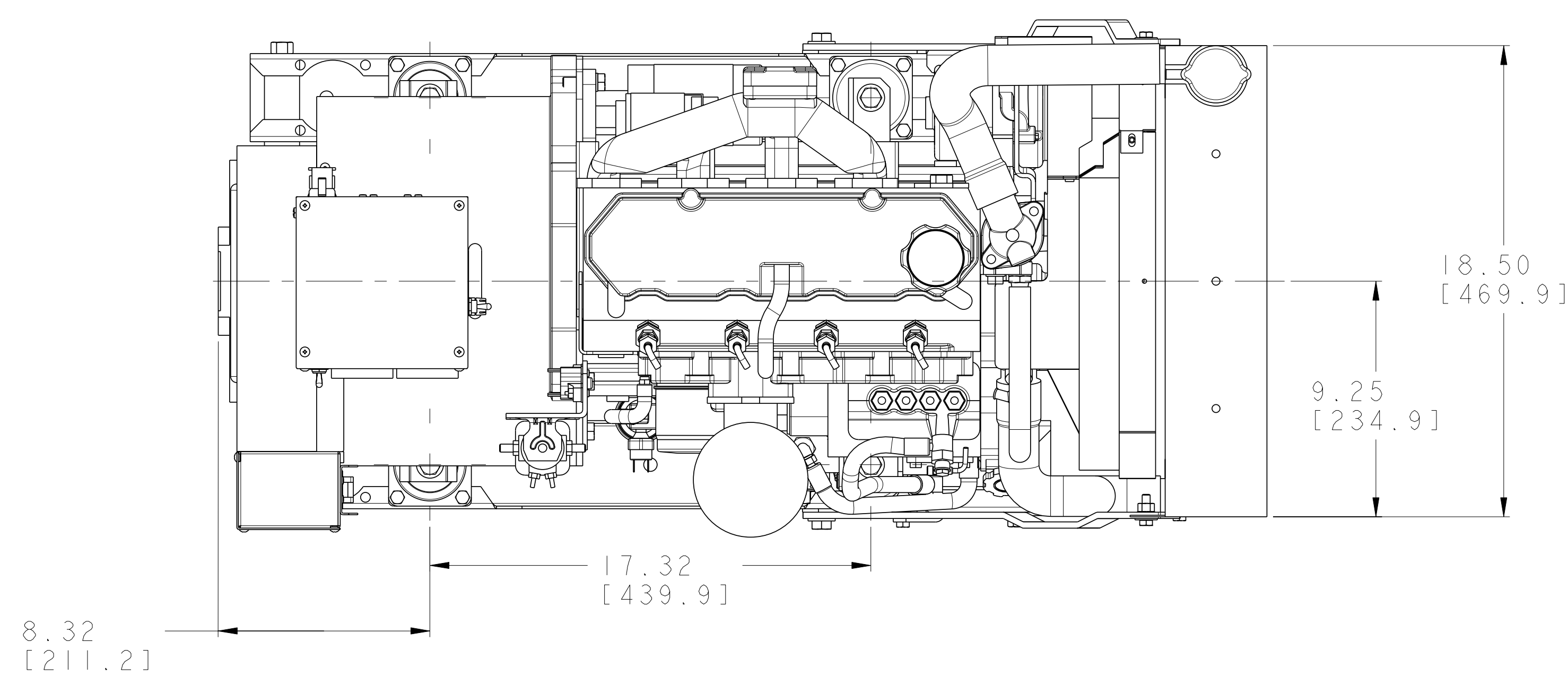
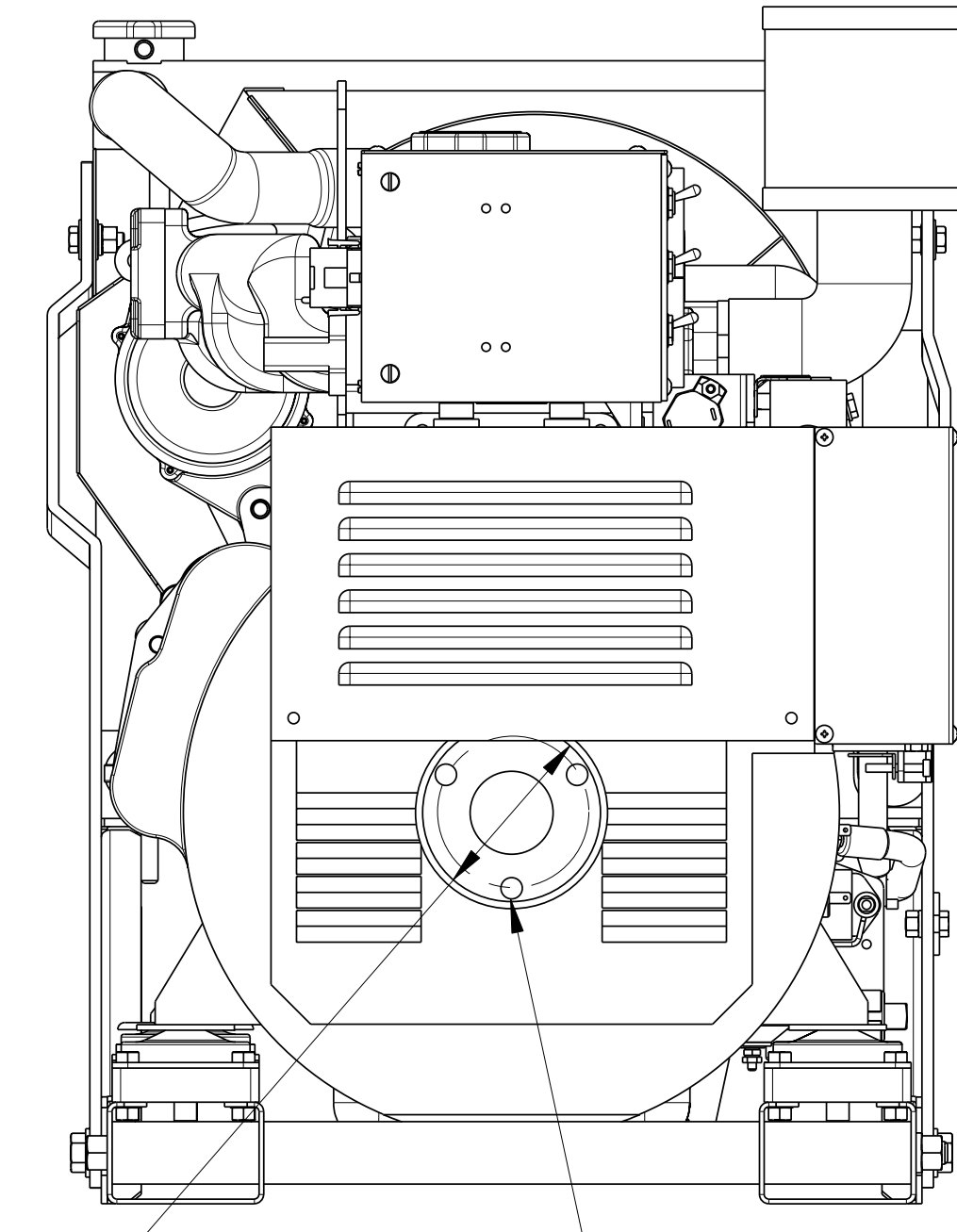
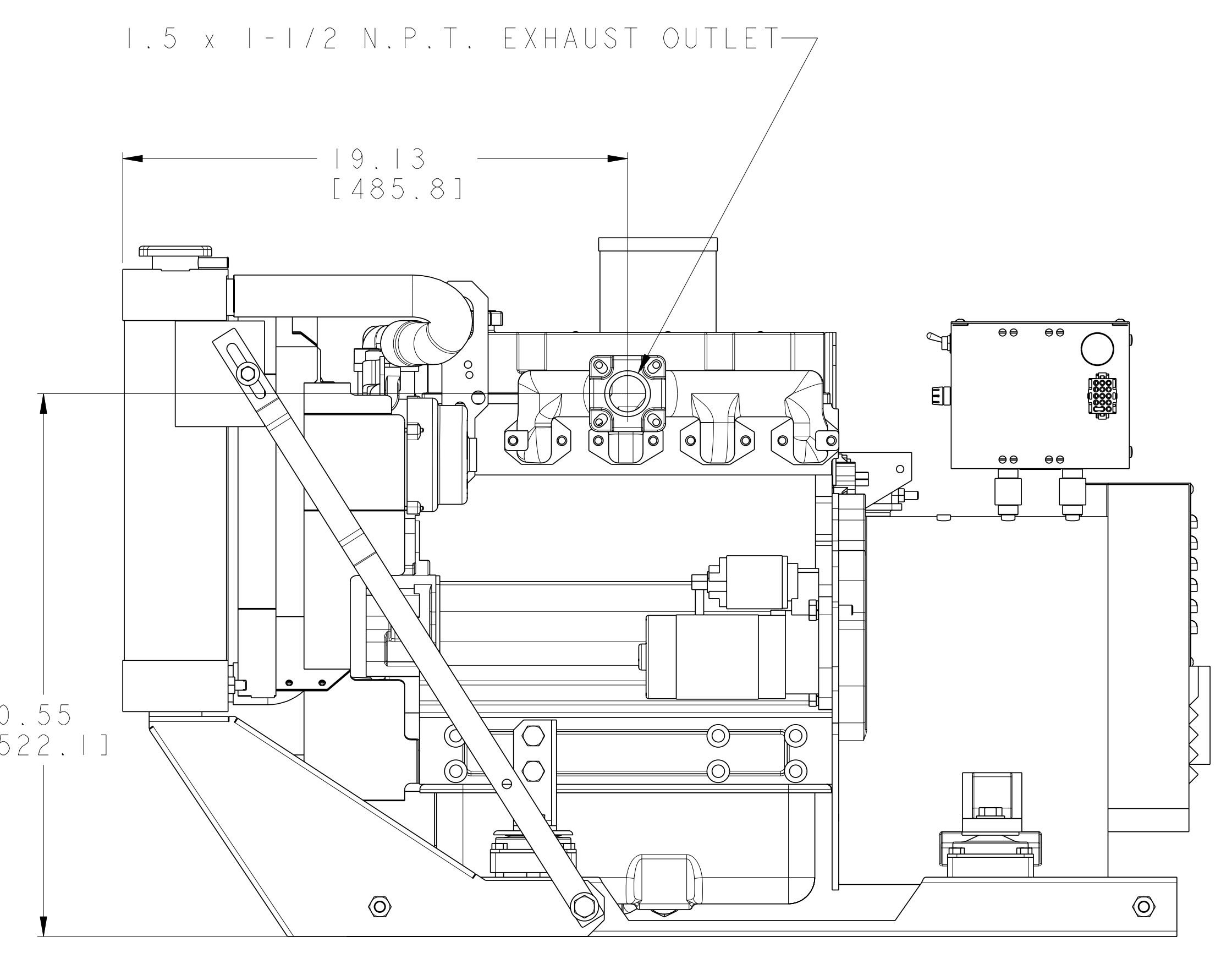
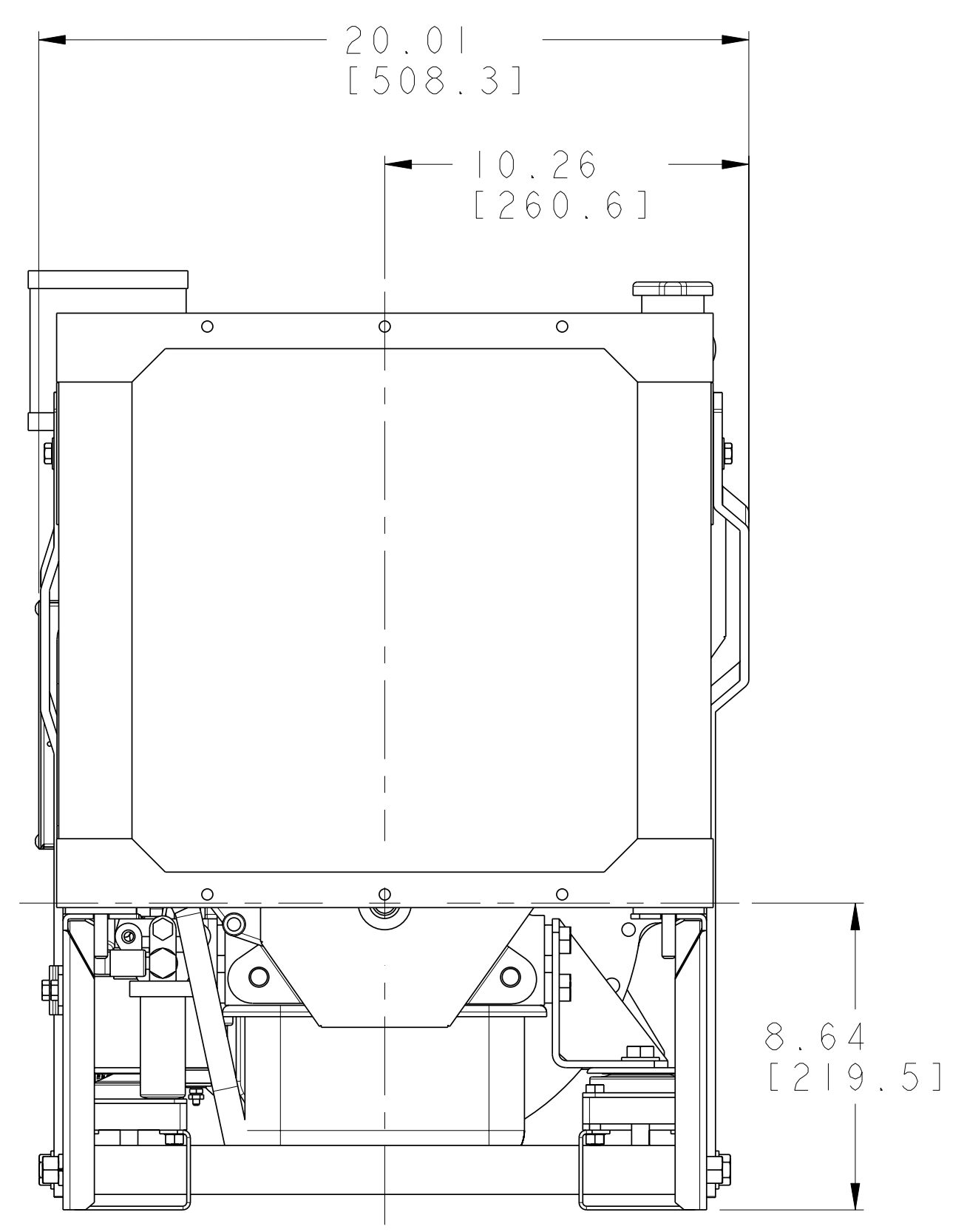
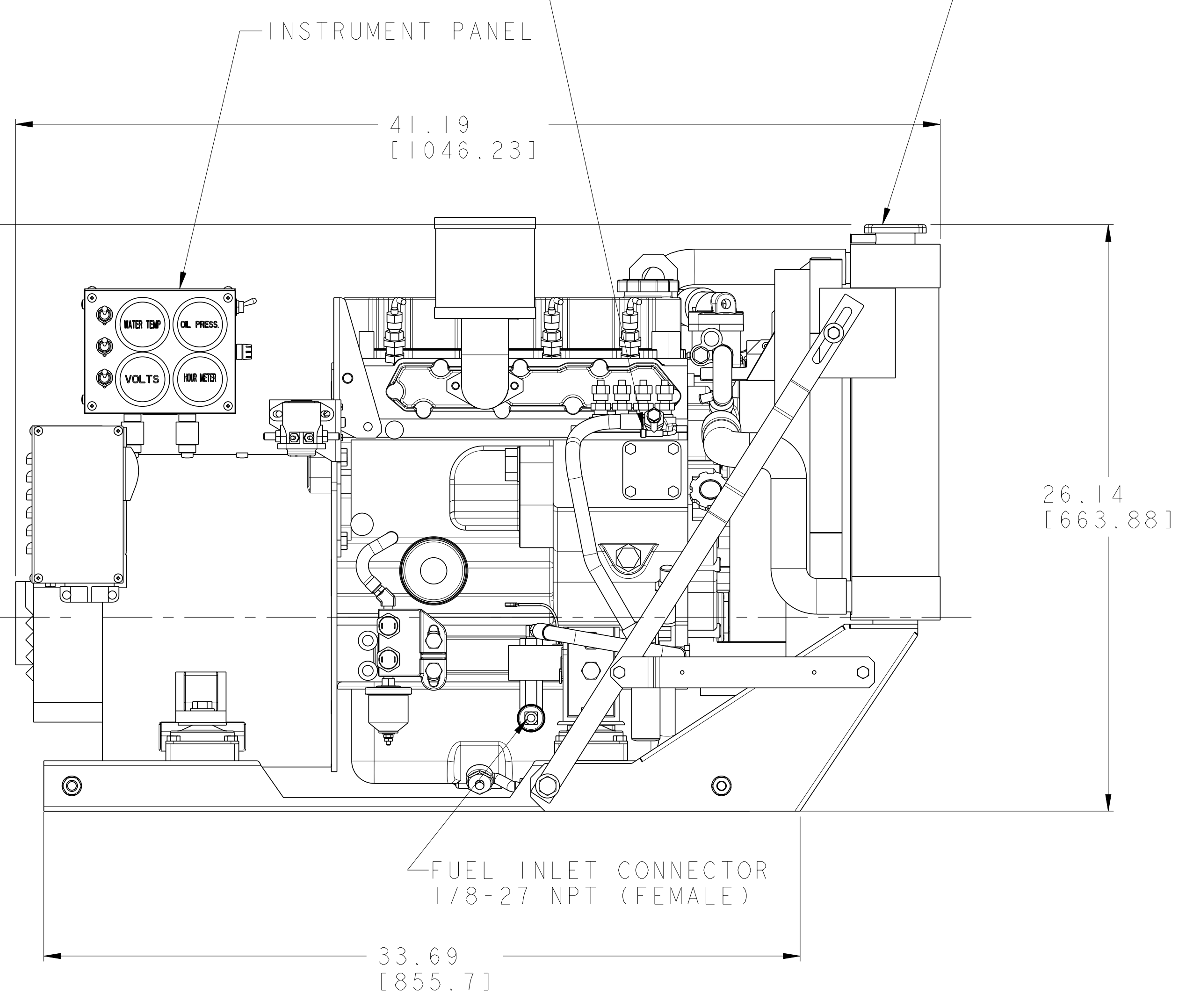


ECO NO.	DATE	REV.	REVISION RECORD	AUTH.	DR. BY
5337	7-30-72	A	UPDATE ASM TO REFLECT CURRENT BOM		BM
5424	12-12-72	B	ADDED PART #48076 TO ASSEMBLY		BM



SPECIAL FUEL RETURN CONNECTOR SUPPLIED - 1/4 INCH HOSE BARB

FILLER CAP (14 P.S.I.)

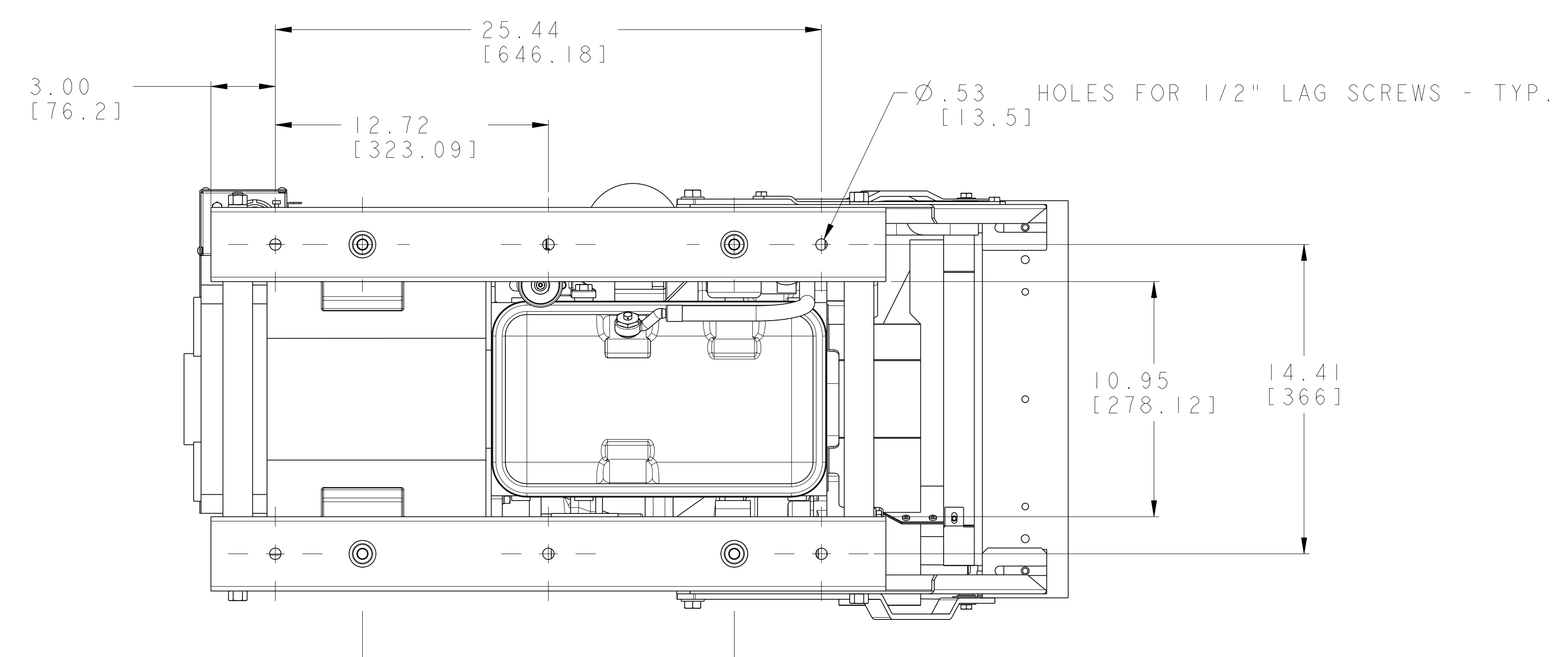


M12 x 1.75 x 25mm DEEP, 3 HOLES EQUALLY SPACED ON A Ø3.346 [Ø85] B.C.

Ø3.9 x .10 [2.5] DEEP PILOT [100]

FUEL INLET CONNECTOR 1/8-27 NPT (FEMALE)

1.5 x 1-1/2 N.P.T. EXHAUST OUTLET



TOLERANCES (UNLESS OTHERWISE NOTED)		WESTERBEKE CORPORATION TAUNTON, MA. 02780	
INCHES	MILLIMETERS	TITLE	
.XX ± .02	X ± 1.0	INSTALLATION DRAWING	
.XXX ± .005	XX ± .5	12.5 KW BTDBR & 15.0 KW BTDCR	
CAST ± .03	XX ± .13	DRAWN BY	DATE
FINISH		WRM	03/Aug/00
		APPROVED BY	DATE
DIMENSIONS	SCALE 0.250	SIZE	DRAWING NUMBER
INCHES		E	45087
MILLIMETERS		Sht. 1 of 1	REV.
(WHEN APPLICABLE)			B