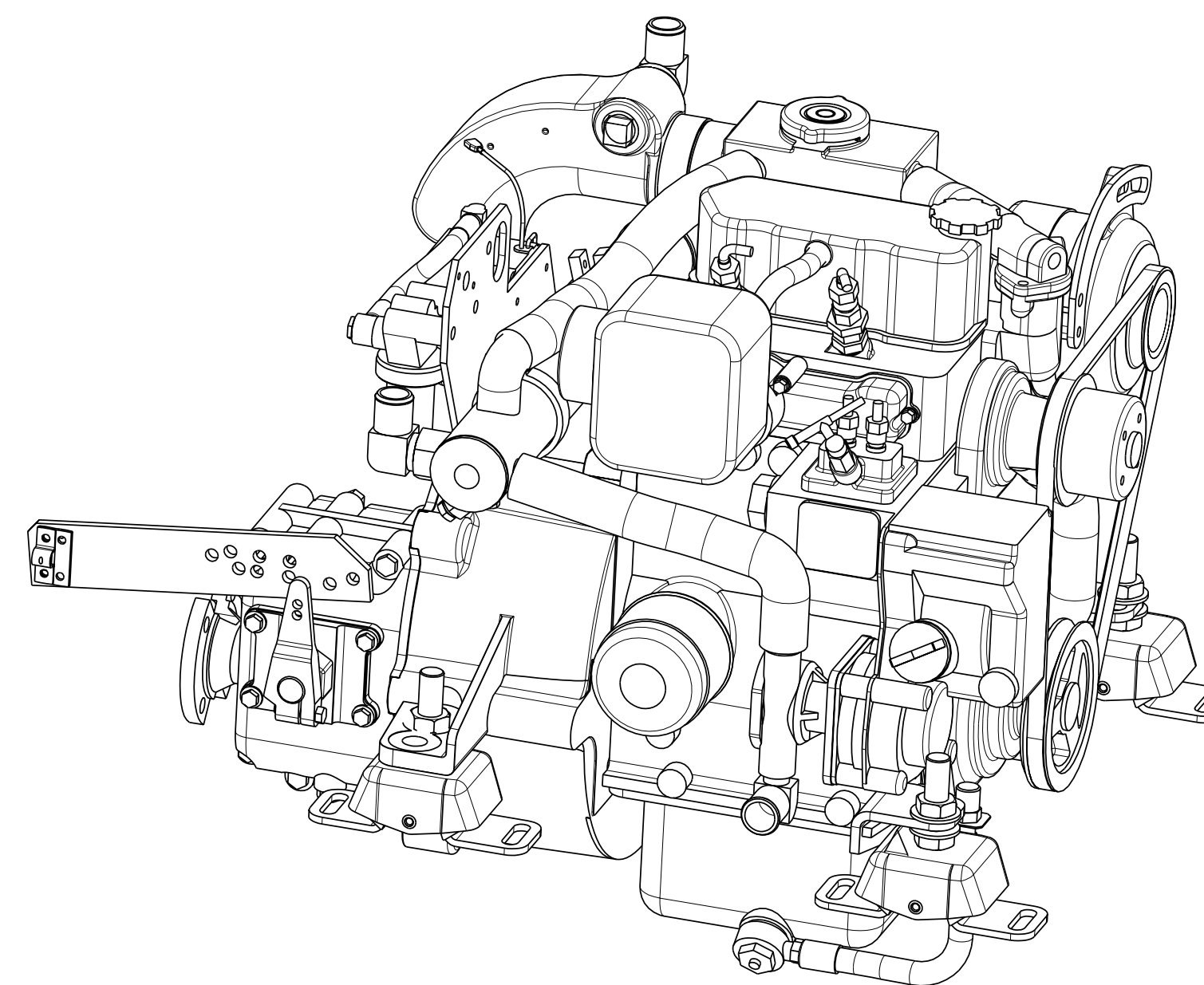
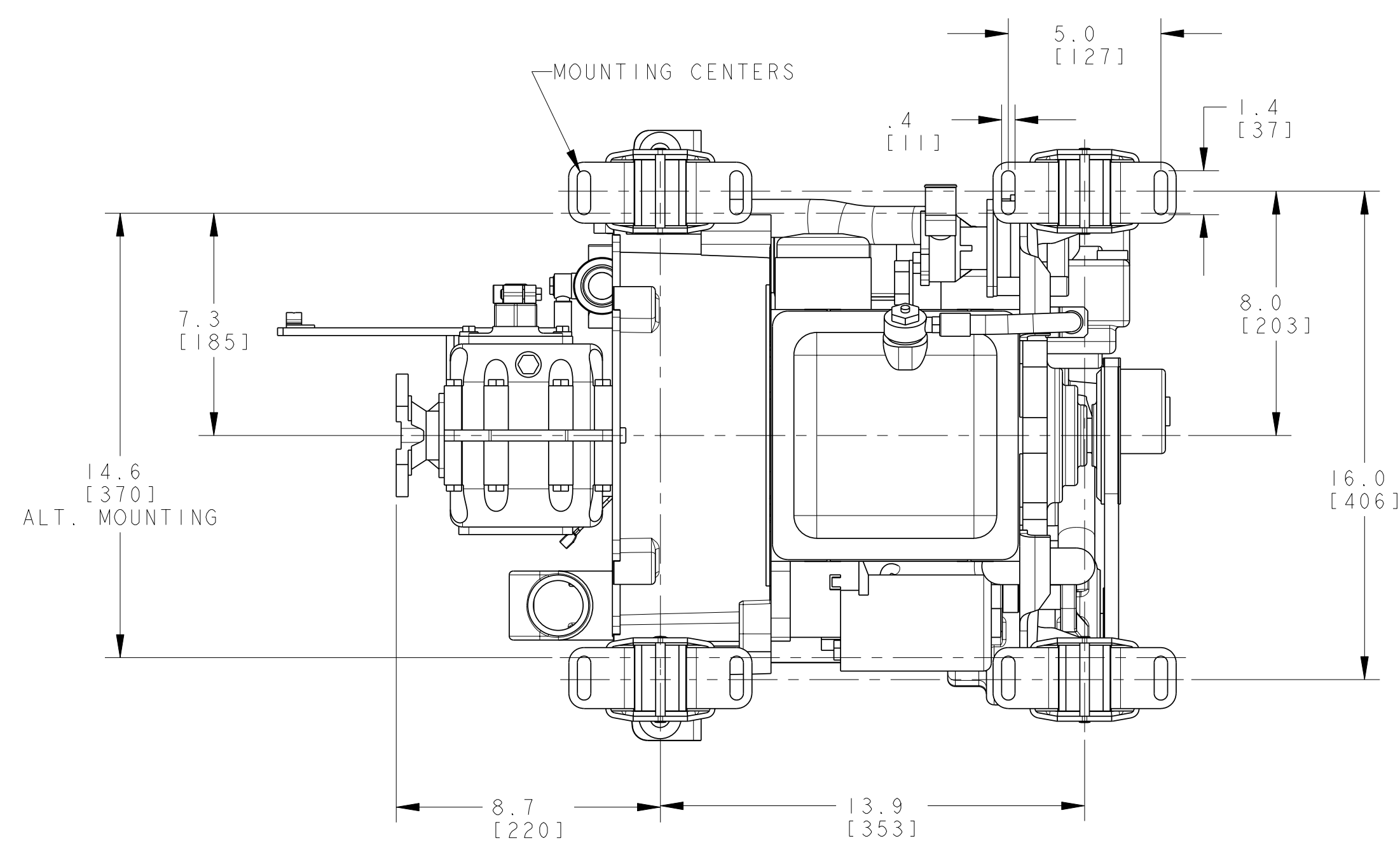
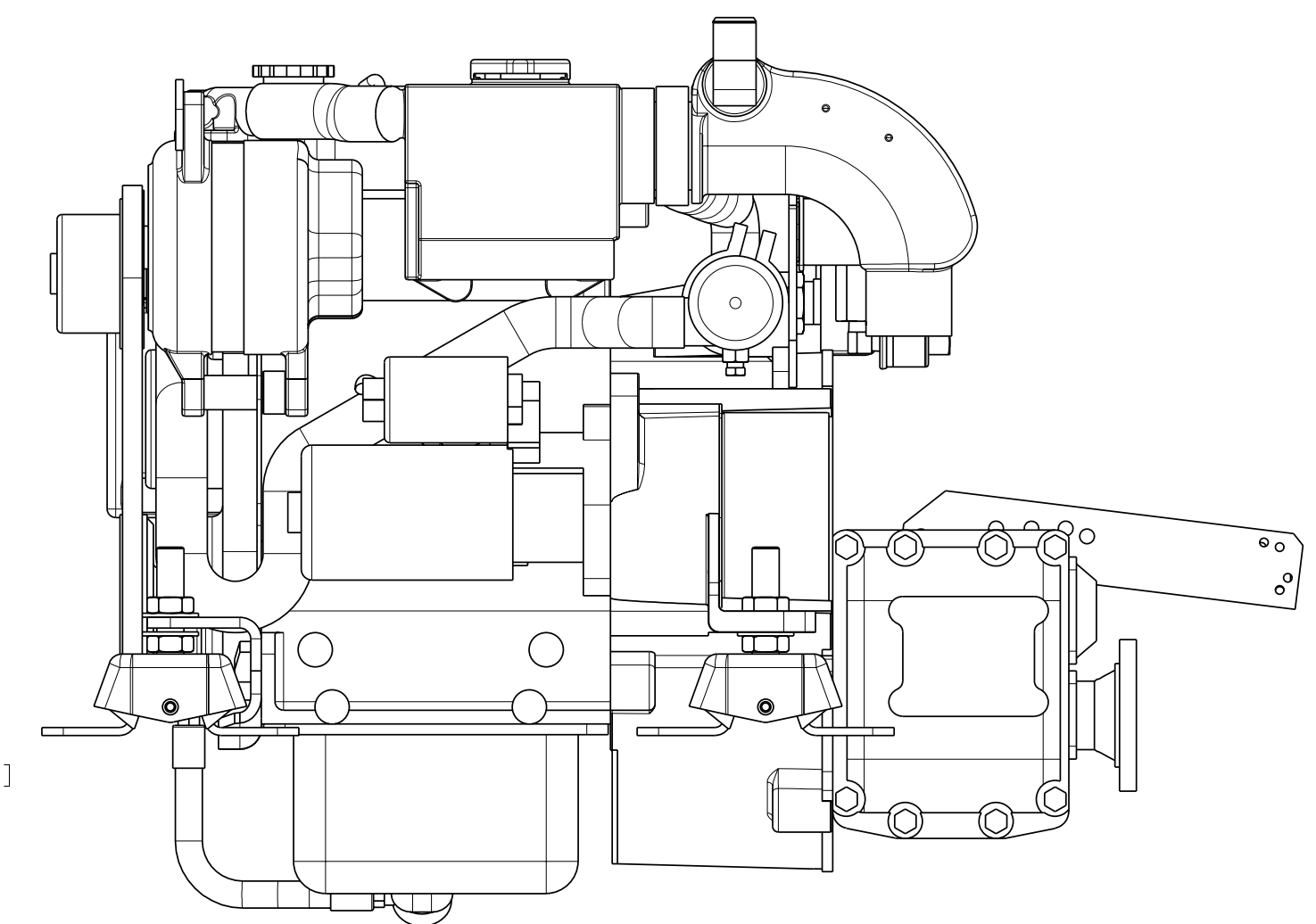
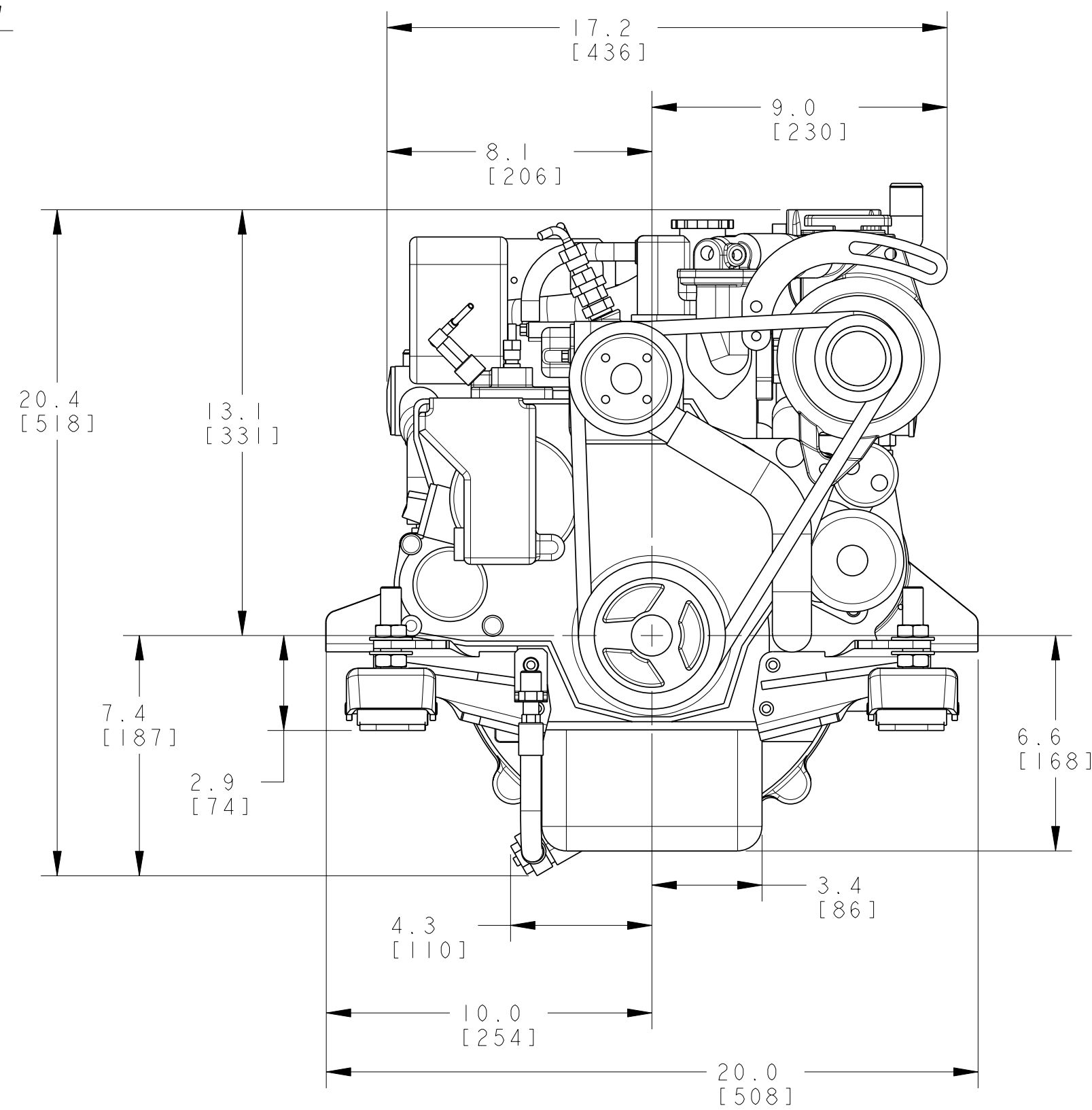
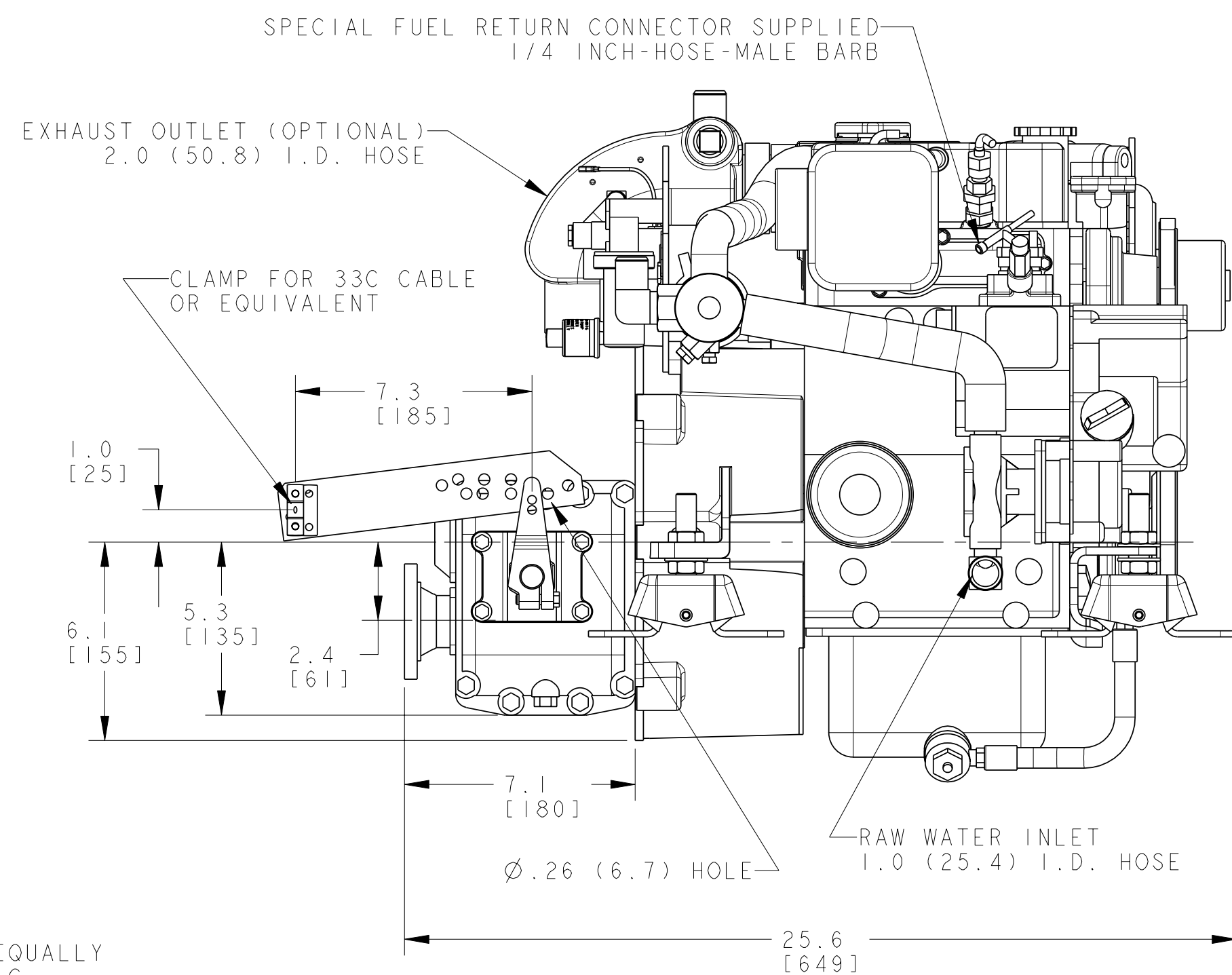
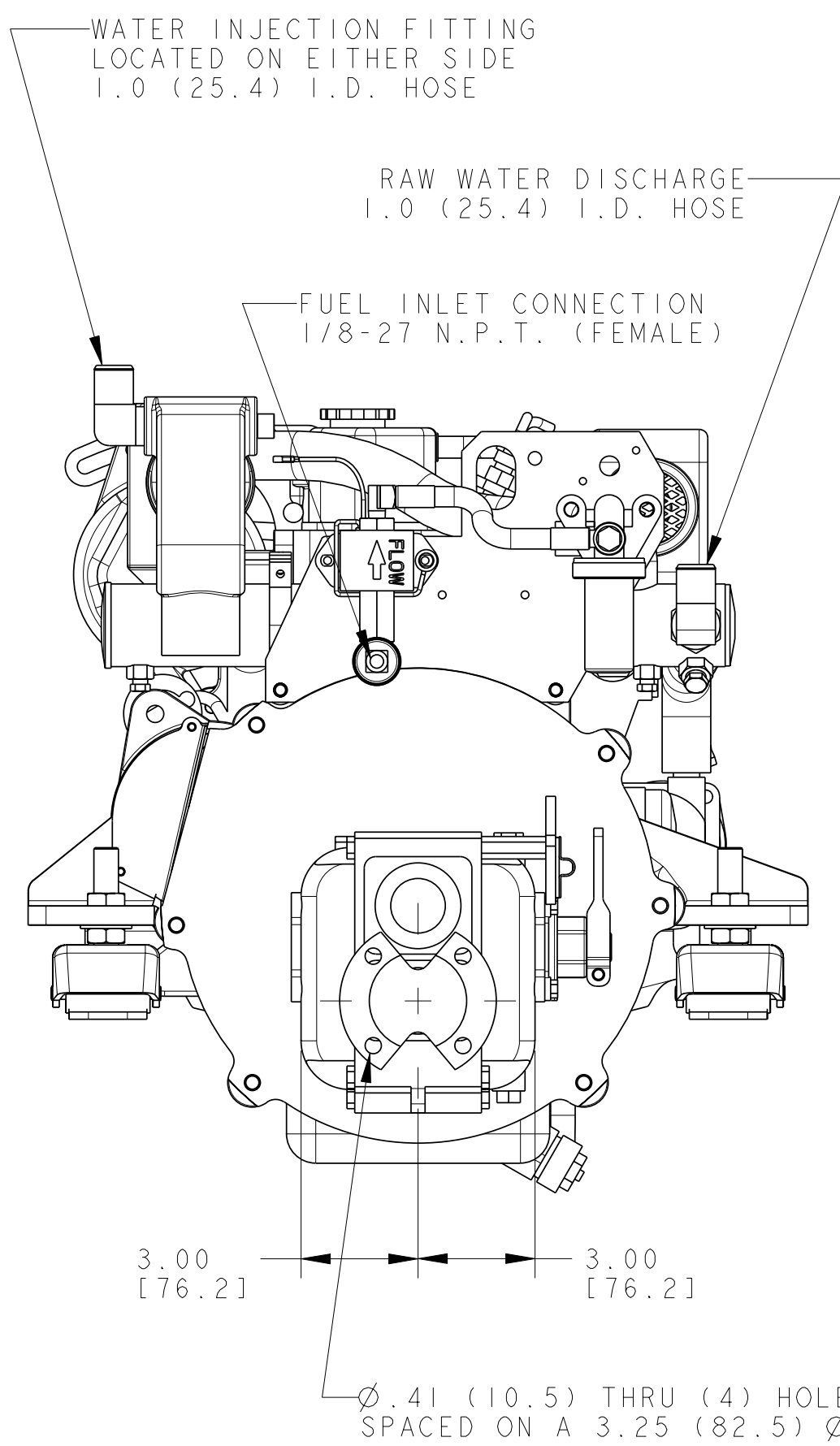
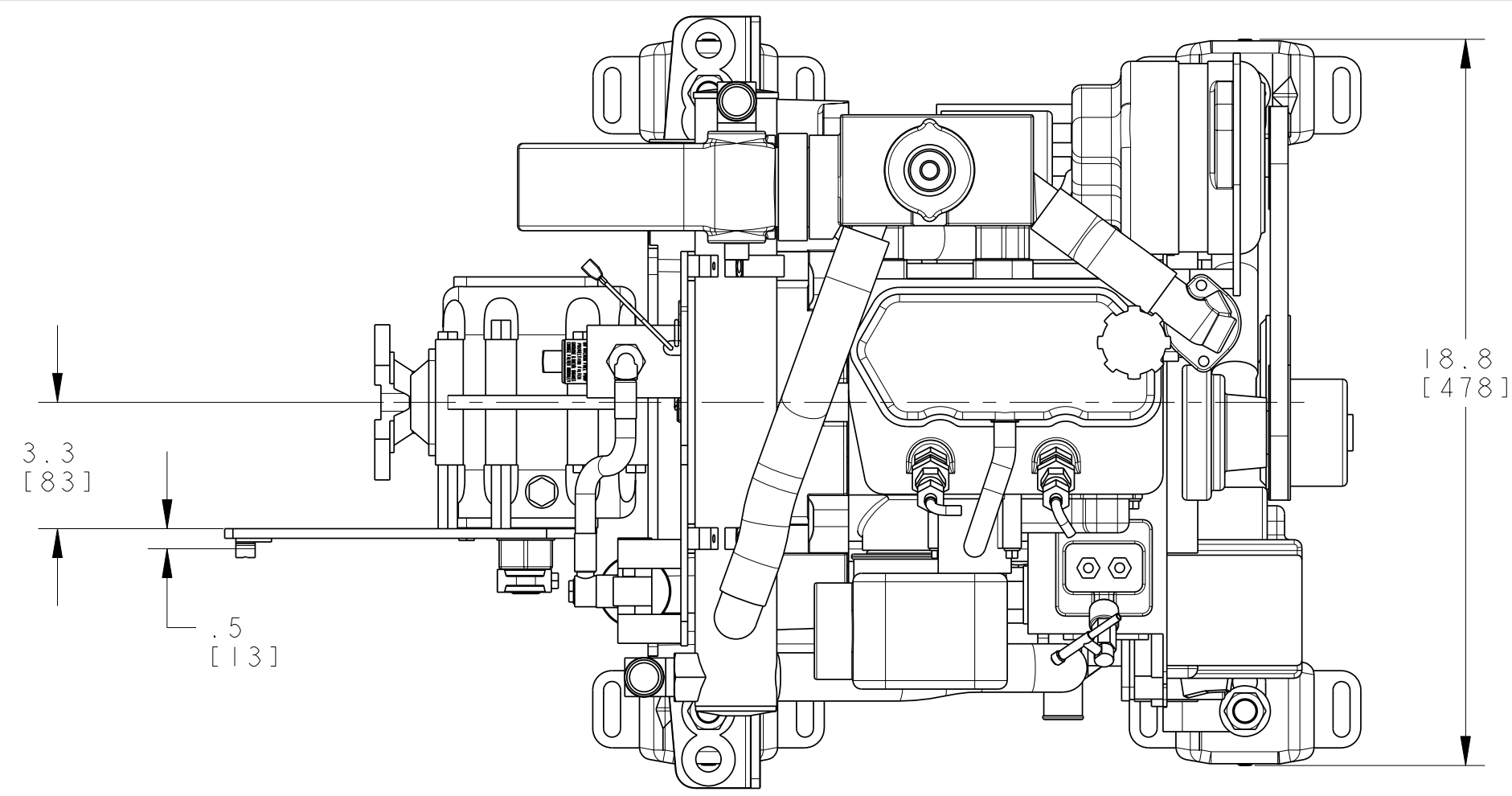


ECO NO.	DATE	REV.	REVISION RECORD	AUTH.	DR. BY
6558	8-25-2008	A	RELEASE PART TO SYSTEM.		GA



TOLERANCES (UNLESS OTHERWISE NOTED)		WESTERBEKE CORPORATION TAUNTON, MA. 02780			
INCHES	MILLIMETERS	TITLE INSTALLATION DRAWING 12C TWO WITH ZFIOM TRANSMISSION			
.XX : .02	X : ± 1.0	DRAWN BY	DATE	MATERIAL	
.XXX : .005	.X : ± .5	GA	8-22-2008		
CAST : .03	.XX : ± .13	APPROVED BY	DATE		
FINISH		SCALE 0.250		SIZE	DRAWING NUMBER
		SHT. 1 OF 1		D	54276
					REV. A