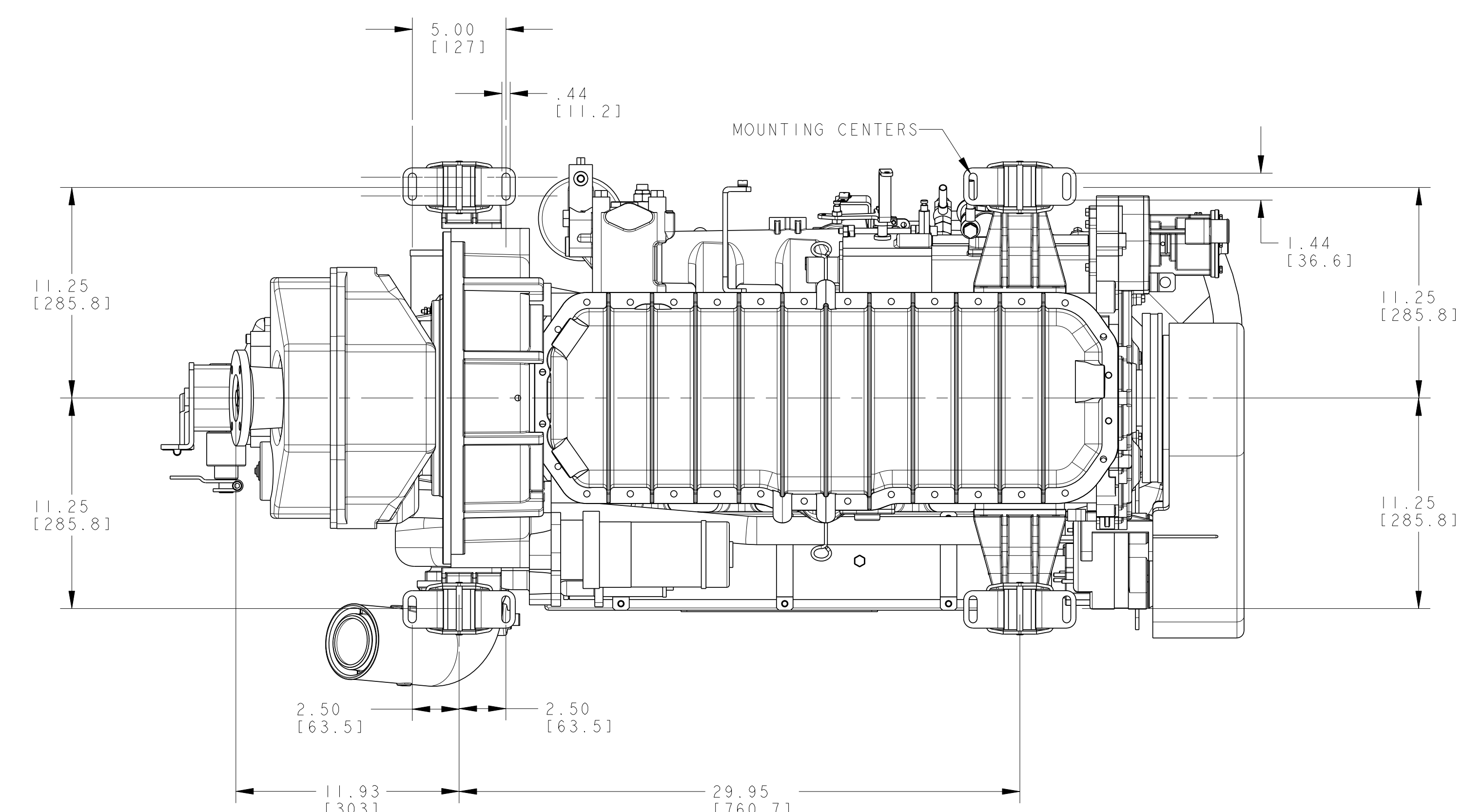
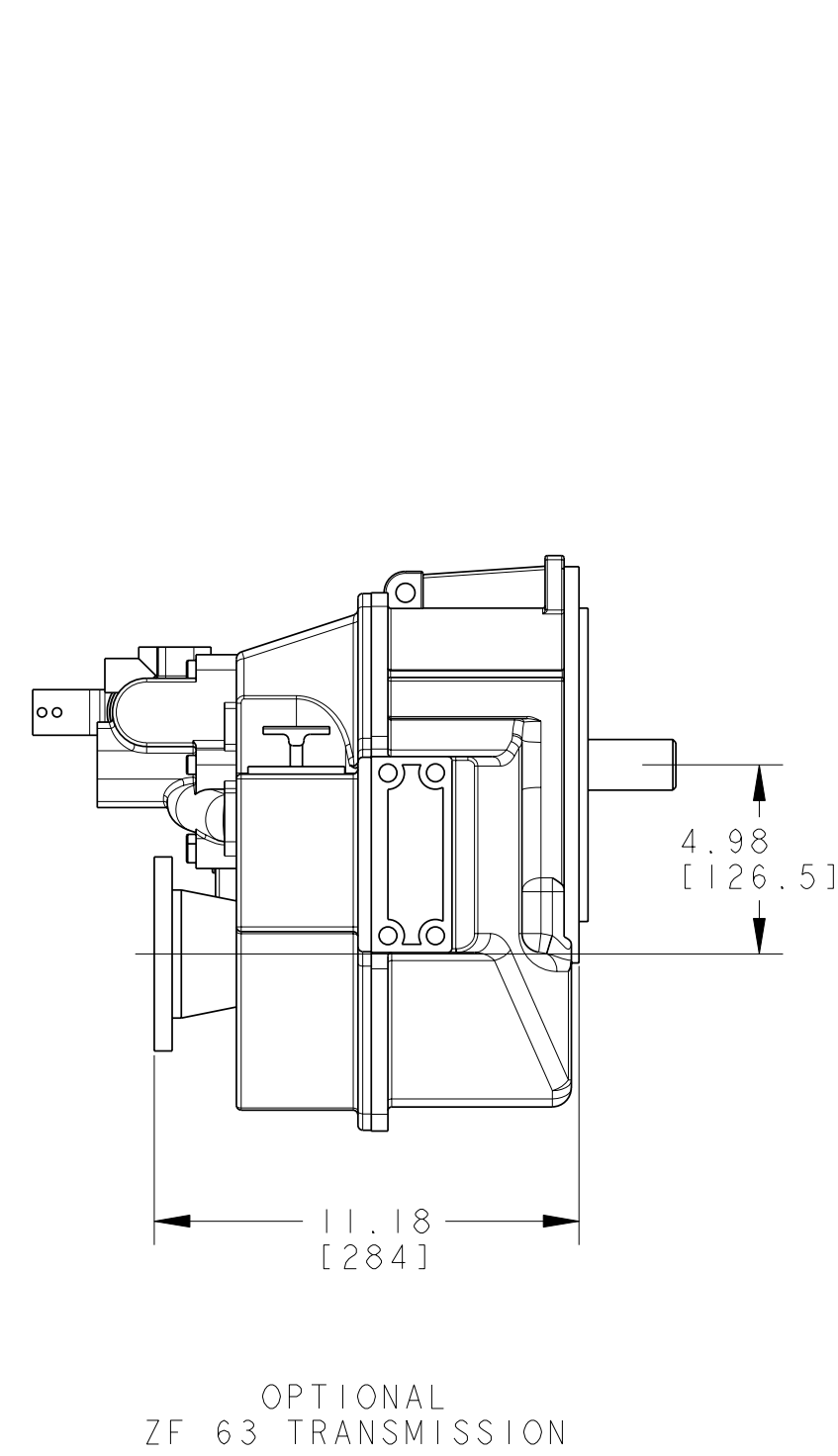
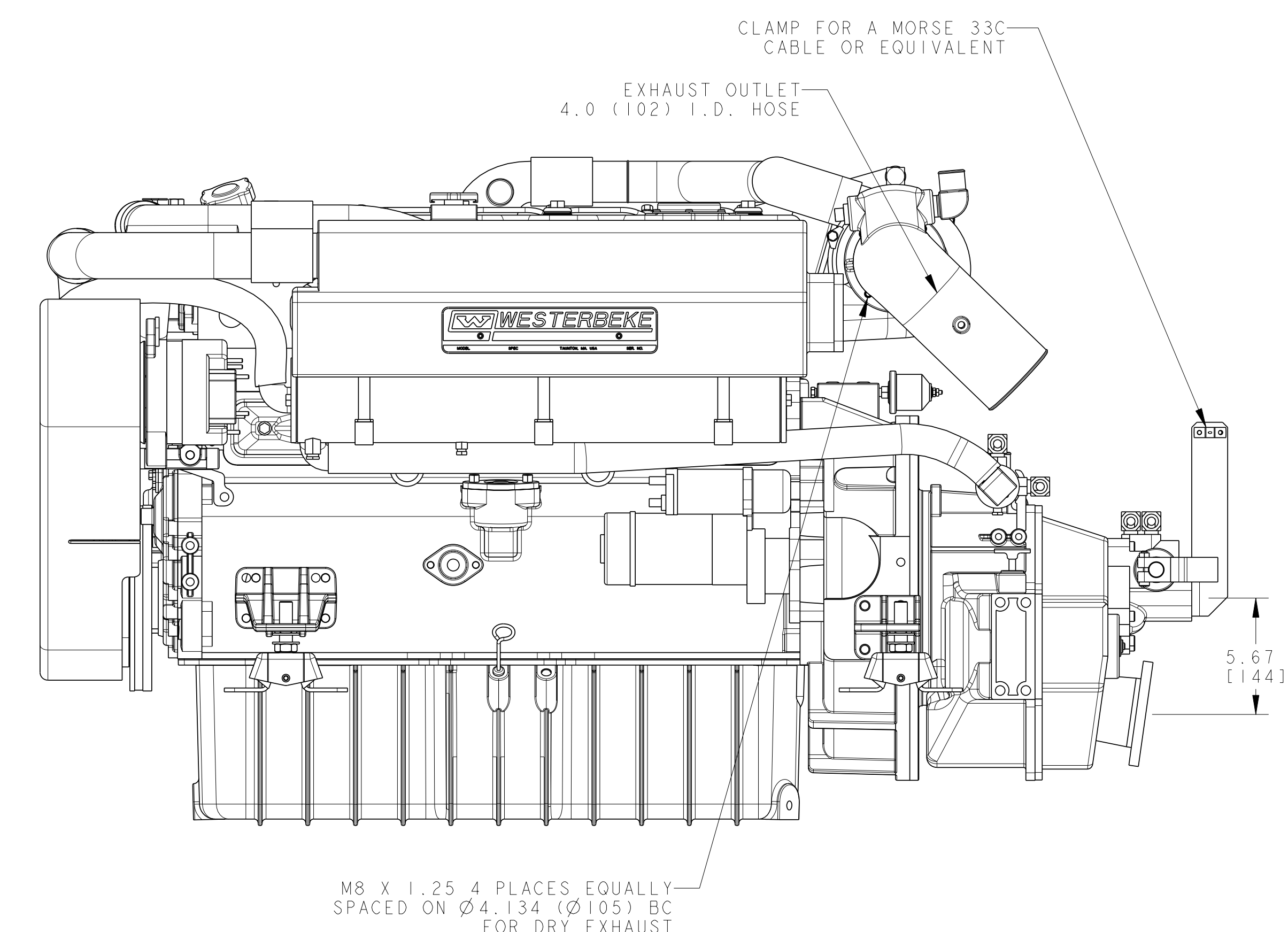
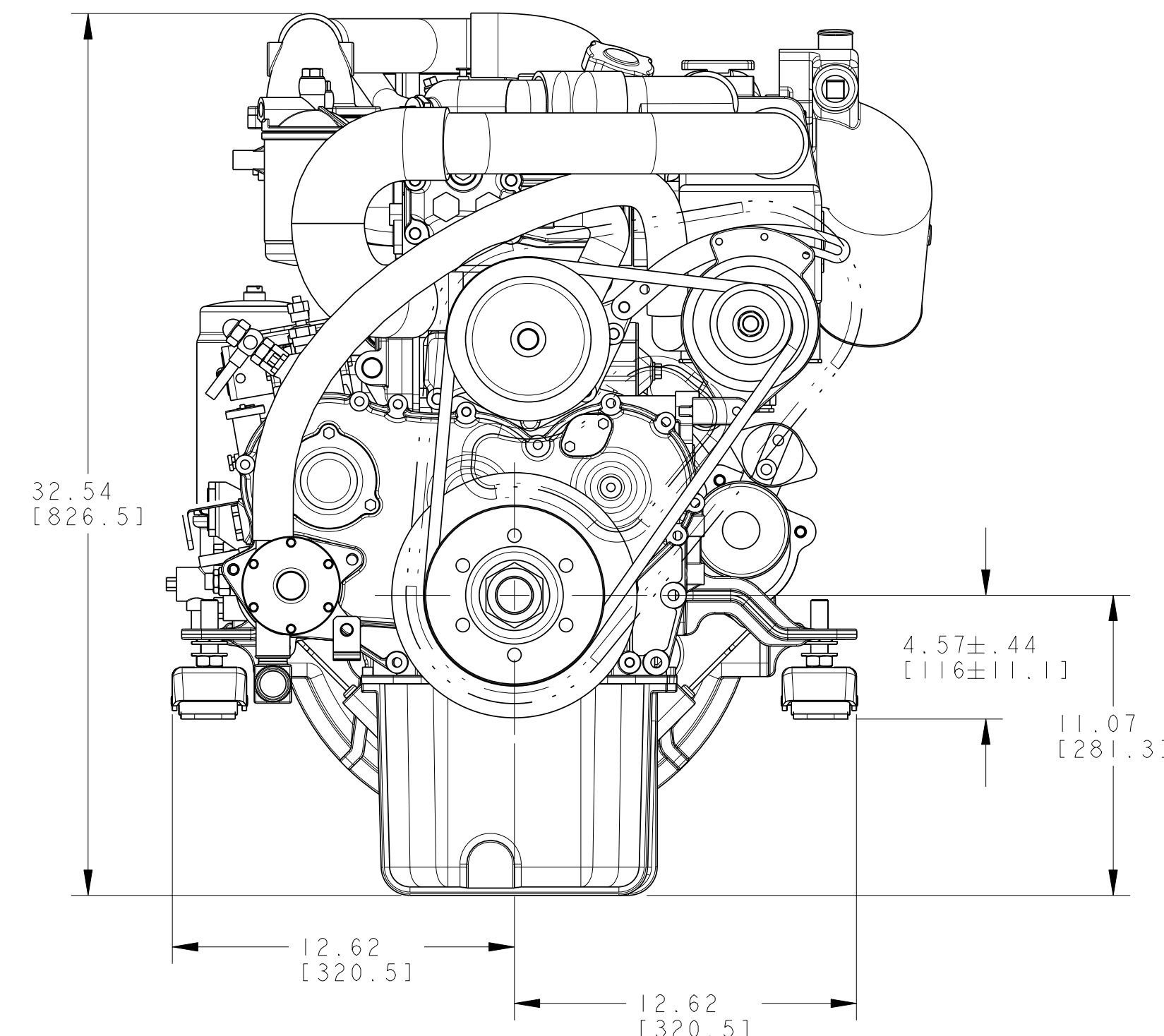
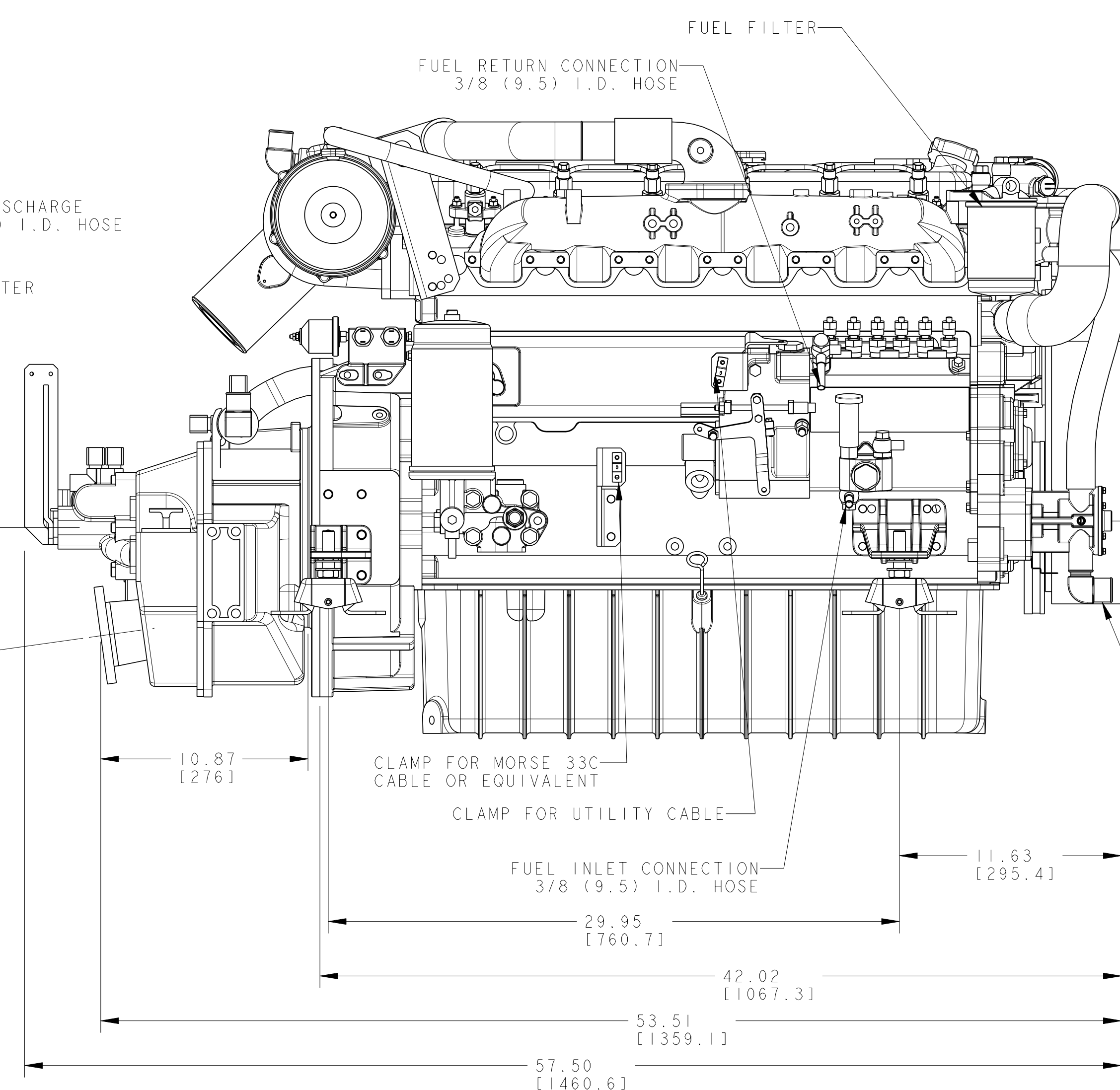
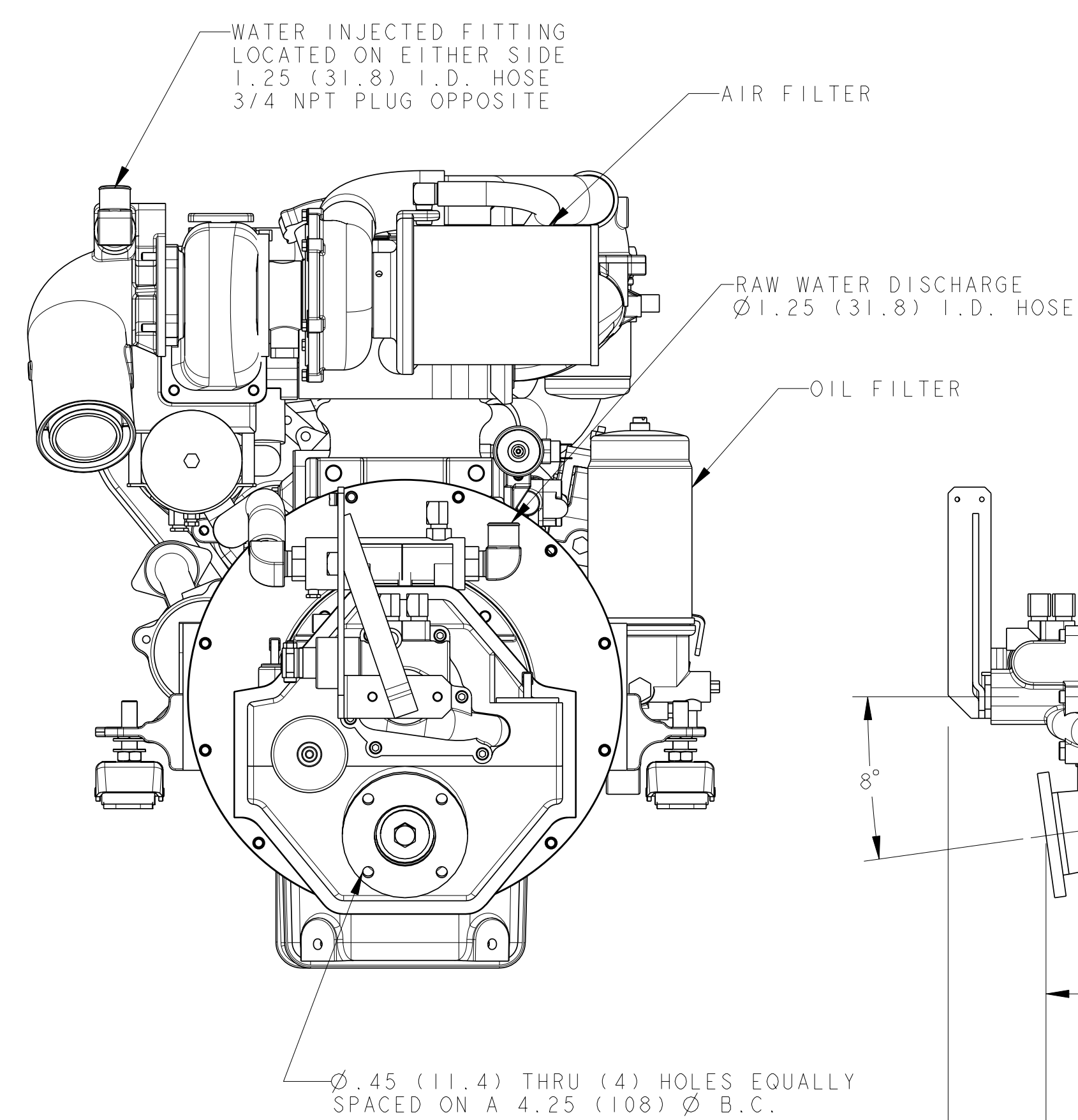
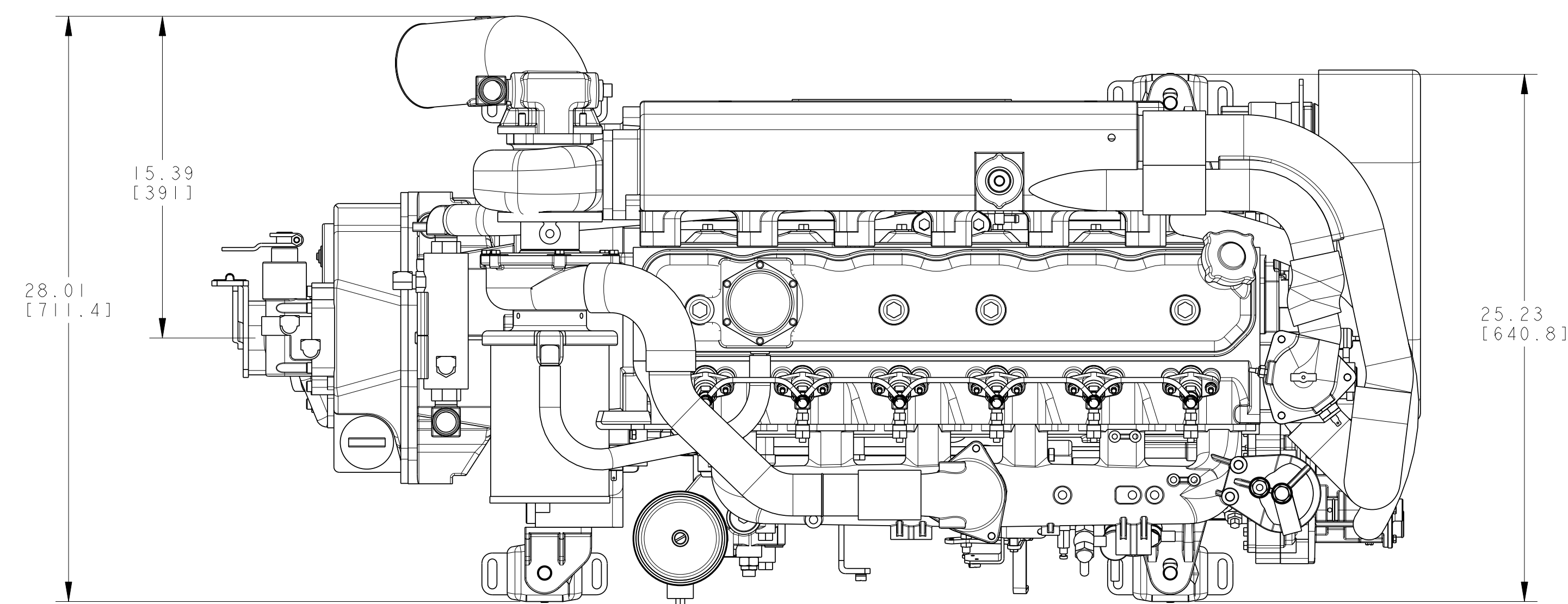


ECO NO.	DATE	REV.	REVISION RECORD	AUTH.	DR. BY
5259	4-8-2004	A	ADDED ZF 63 TRANSMISSION	JCA	JCA
6333	2-01-11	B	TITLE WAS 170-T6		GA



MODEL WITH 50 AMP ALTERNATOR
ZF 63A TRANSMISSION

TOLERANCES (UNLESS OTHERWISE NOTED)		WESTERBEKE CORPORATION TAUNTON, MA 02780	
INCHES	MILLIMETERS	TITLE	
.XX : .02	X. :	INSTALLATION DRAWING	
.XXY : .005	X. :	170-T6A	
CAST : .03	.XX :		
ANGLE : °			
FINISH : Ø			
DIMENSIONS		DRAWN BY	DATE
INCHES		ANDREW KOSS	01/AUG/00
MILLIMETERS		APPROVED BY	DATE
SCALE 0.200			
(WHEN APPLICABLE)		SHEET 1 OF 1	SIZE E
		DRAWING NUMBER	REV.
		45069	B