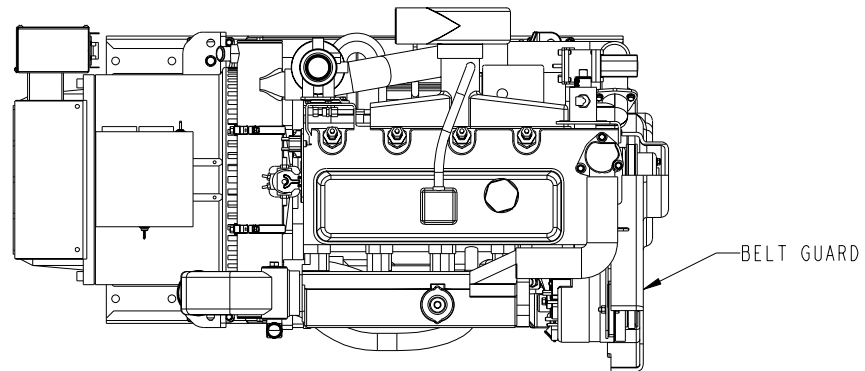
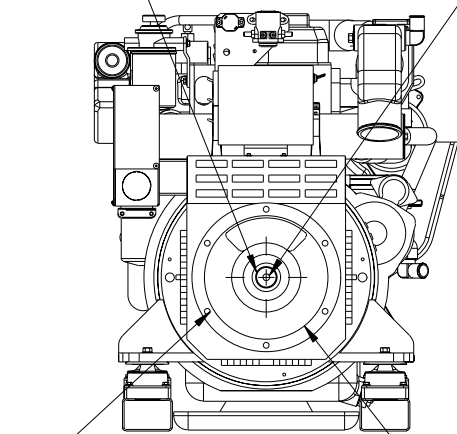


ECO NO.	DATE	REV.	REVISION RECORD	AUTH.	DR. BY
3823	8-19 1998	A	REVISED AND REDRAWN ON D SIZE FORMAT		JM
4293	11-15 1999	B	EXHAUST ELBOW O.D. 3" WAS 2"		JM
4314	11-29 1999	C	REVISED BREAKER BOX MOUNTING		JM
5350	8-20 02	D	UPDATE ASM TO REFLECT CURRENT BOM		BM
5424	12-12 02	E	ADDED PART #48076 TO ASSEMBLY		BM



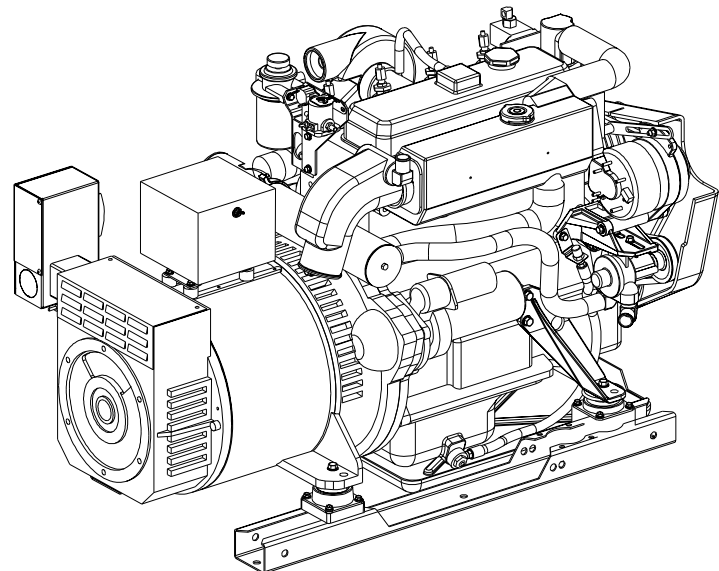
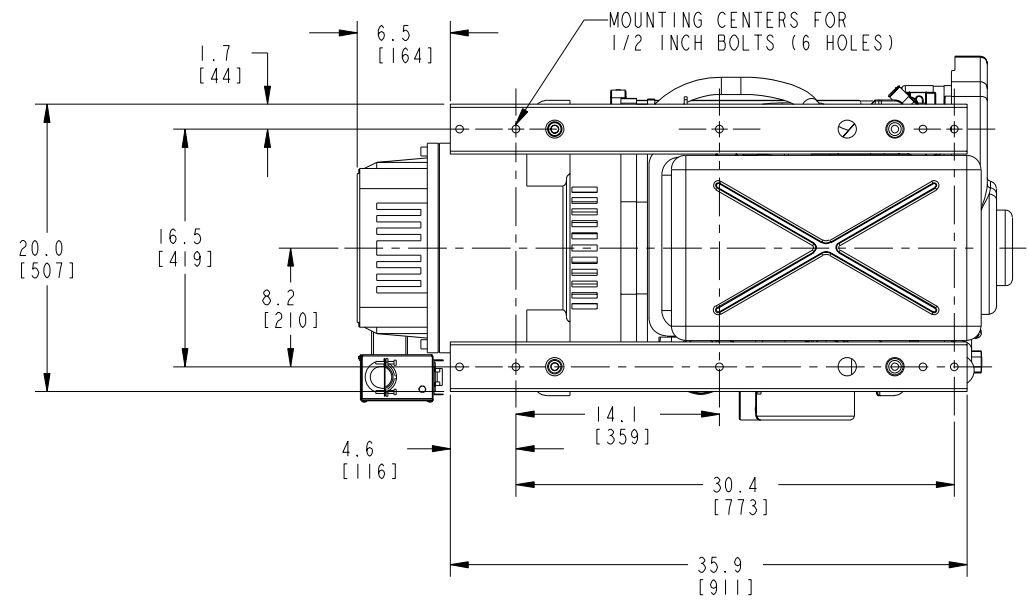
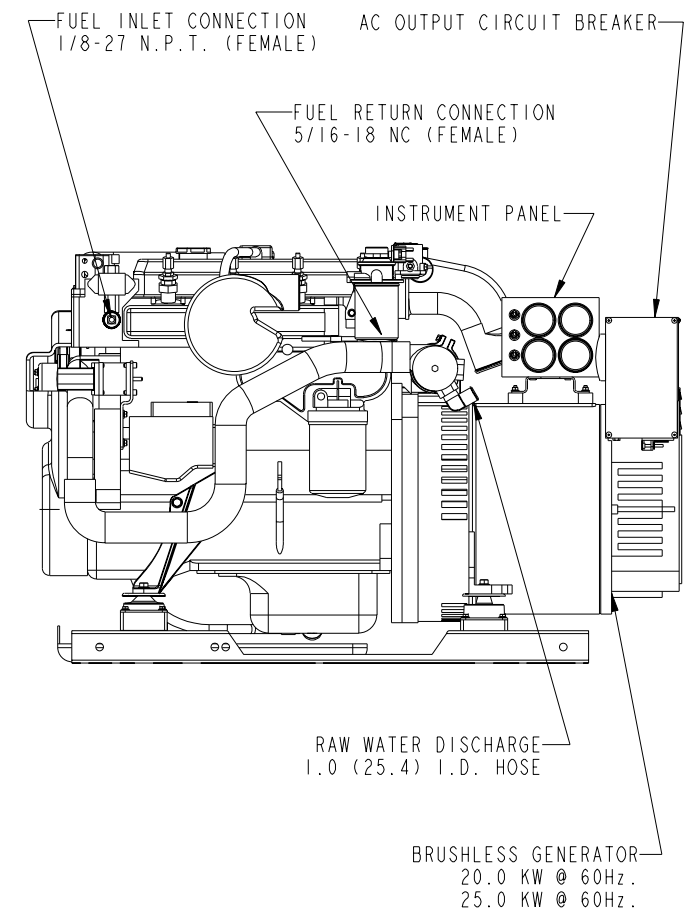
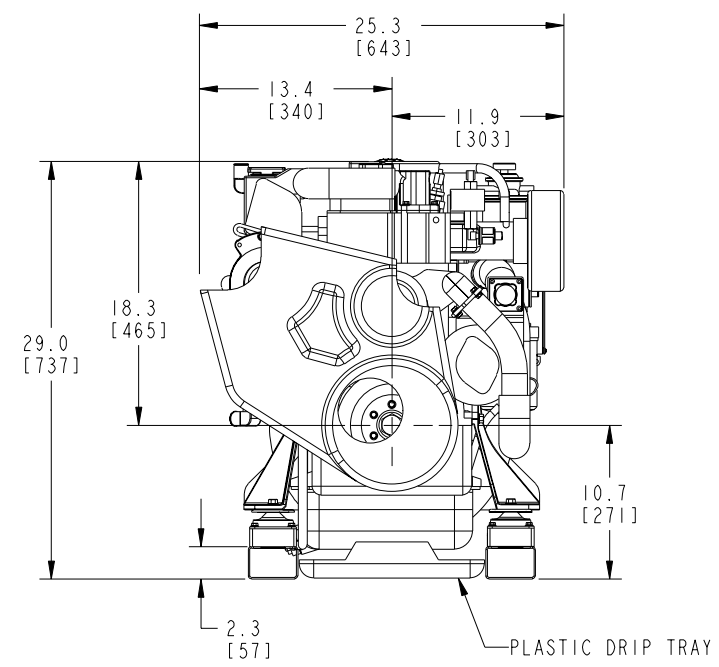
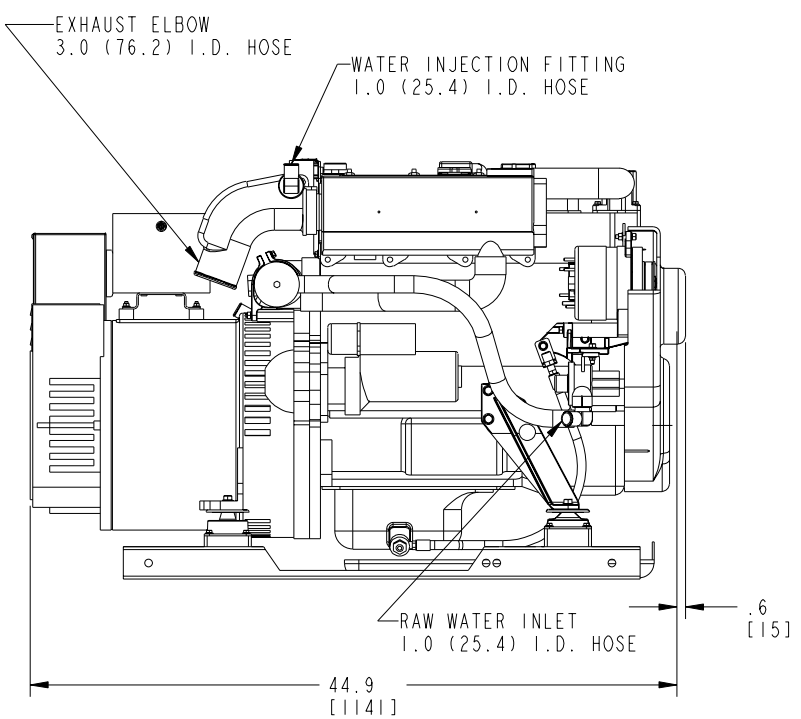
Ø 1.5 (38.0) TAPERED 5° TO A DEPTH OF 1.65 (42.0)

M12x1.5 THREAD TO A DEPTH OF 2.8 (71.1) MEASURED FROM SURFACE OF Ø 1.5 TAPERED HOLE

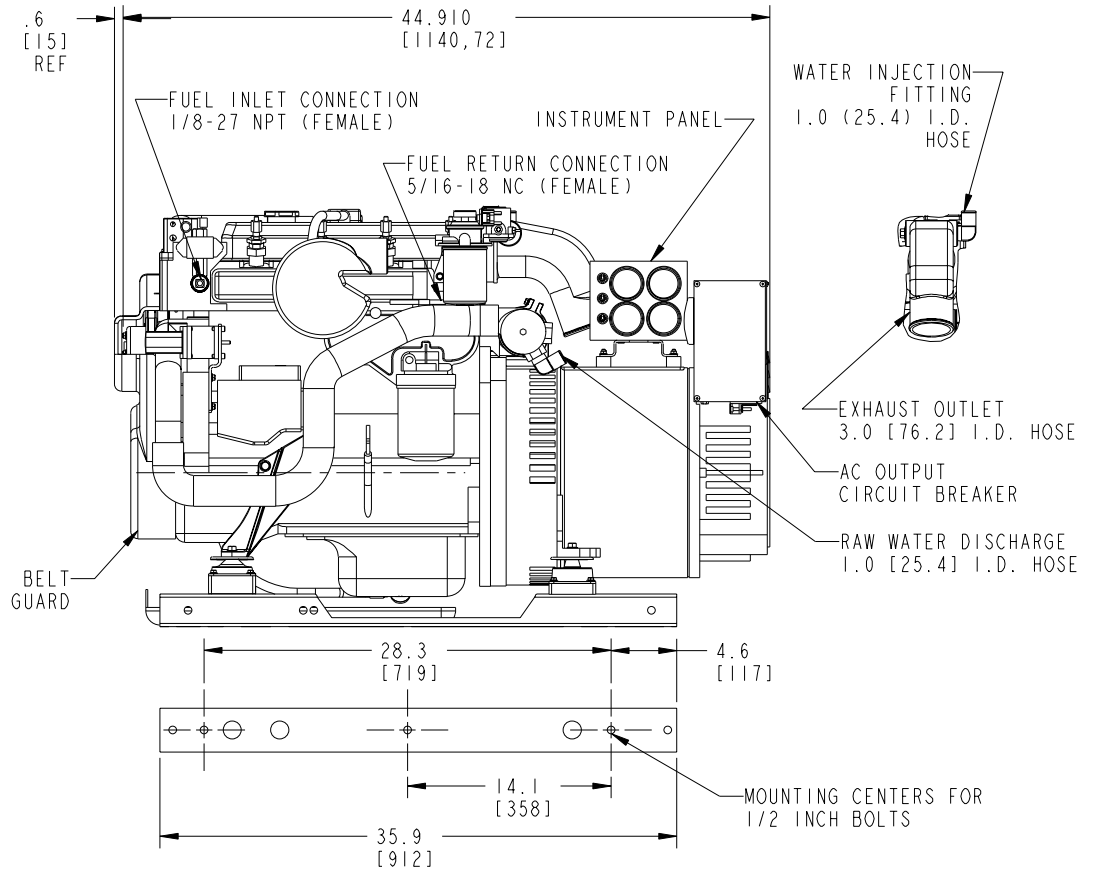
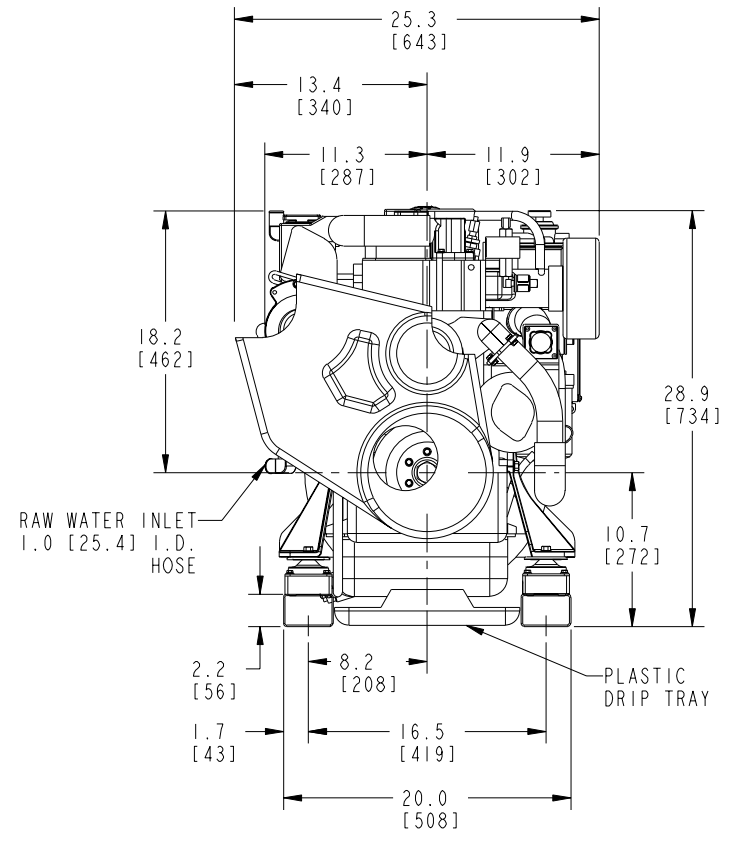


M10x1.5 THREAD, .78 (20.0) DEEP (6) HOLES EQUALLY SPACED ON A Ø 9.48 (240.0) B.C.

Ø 8.6 BY .275 (7.0) DEEP [218]



TOLERANCES (UNLESS OTHERWISE NOTED)		WESTERBEKE CORPORATION TAUNTON, MA. 02780	
INCHES	MILLIMETERS	TITLE	
.XX	.02	INSTALLATION DRAWING	
.XXX	.005	20.0 KW BEDA AND 25.0 KW BED	
CAST	.03	DRAWN BY WRM DATE 1-10-92 MATERIAL:	
ANGLES	.5°	APPROVED BY DATE	
FINISH	☺	SCALE 0.150 SIZE D DRAWING NUMBER 39418 REV. E	
DIMENSIONS		SHT. 1 OF 2	
INCHES			
MILLIMETERS			
(WHEN APPLICABLE)			



TOLERANCES (UNLESS OTHERWISE NOTED)		WESTERBEKE CORPORATION TAUNTON, MA. 02780	
INCHES	MILLIMETERS	TITLE	
.XX : .02	X : ± 1.0	INSTALLATION DRAWING	
.XXX : .005	.X : ± .5	20.0 BEDA AND 25.0 BED	
CAST : .03	.XX : ± .13	DRAWN BY	DATE
ANGLES : 5°		GA	18/Aug/03
FINISH		APPROVED BY	DATE
DIMENSIONS		SCALE	SIZE
INCHES		0.150	D
MILLIMETERS			
(WHEN APPLICABLE)		SHT. 2 OF 2	DRAWING NUMBER
			39418
			REV.
			E