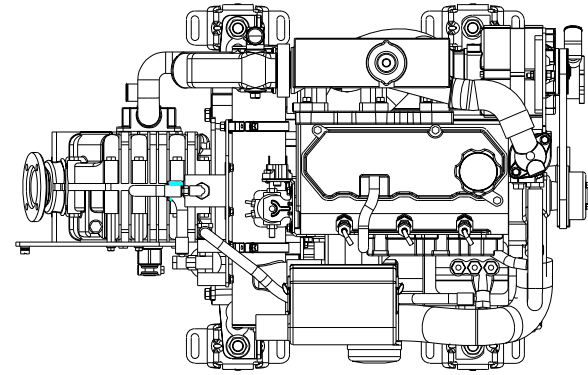


ECO NO.	DATE	REV.	REVISION RECORD	AUTH.	DR. BY
4745	12-14-90	A	UNIT DESIGNATION IS 35C WAS 36A		ABK
5426	12-12-92	B	ADDED PART #48076 TO ASSEMBLY		BM



WATER INJECTION FITTING
LOCATED ON EITHER SIDE
1.0 [25.4] I.D. HOSE

EXHAUST OUTLET (OPTIONAL 90°)
ELBOW 2.0 [50.8] I.D. HOSE

FUEL INLET CONNECTION
1/8-27 NPT (FEMALE)

Ø.26 [6.7] HOLE

CLAMP FOR 33C CABLE
OR EQUIVALENT

10.0 [254.0]

11.9 [302.3]

5.8 [147.3]

5.8 [147.3]

3.2 [81.3]

3.2 [81.3]

M10 X 1.5 THREAD THRU (4) HOLES EQUALLY
SPACED ON A 3.25 [82.5] Ø B.C.

10.4 [264.2]

32.5 [825.5]

1.4 [35.6]

5.00 [127.0]

.44 [11.2]

18.5 [469.9]

9.3 [236.2]

8.0 [203.2]

7.3 [185.4]

16.0 [406.4]
ALT. MOUNTING

14.6 [370.8]
ALT. MOUNTING

12.0 [304.8]

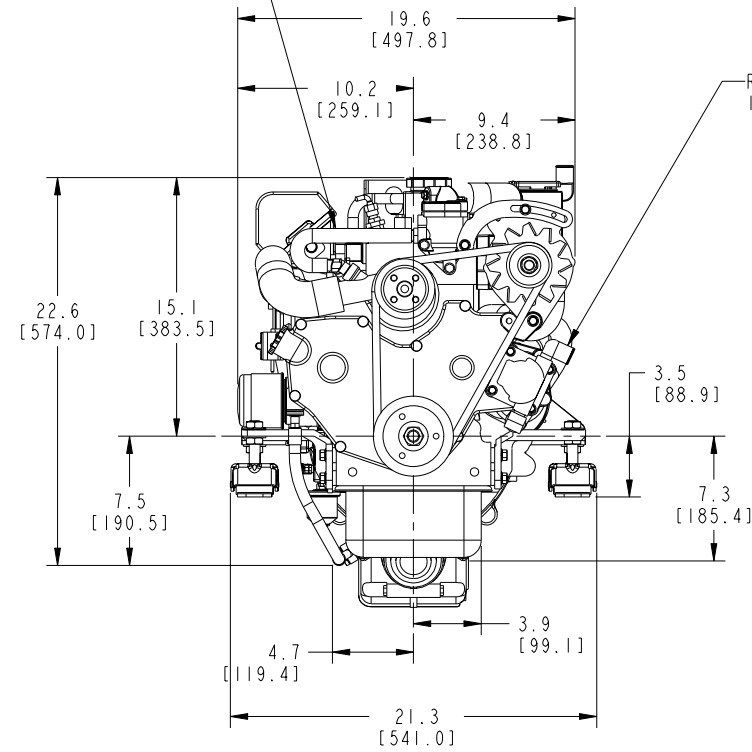
13.7 [348.0]

1.4 [35.6]

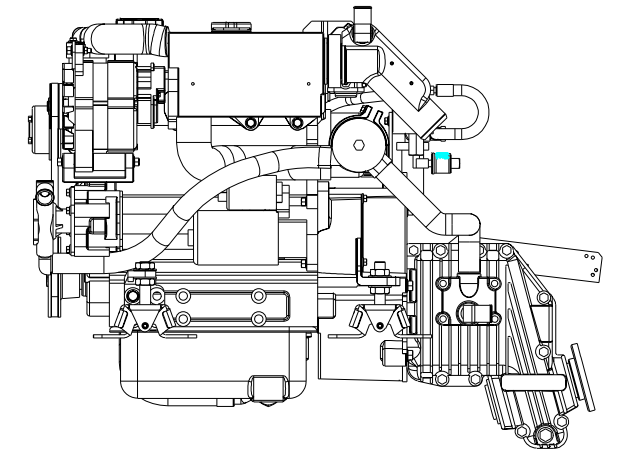
FUEL RETURN CONNECTION
3/8-24 NF (MALE)

Ø1.57 THRU [39.9]

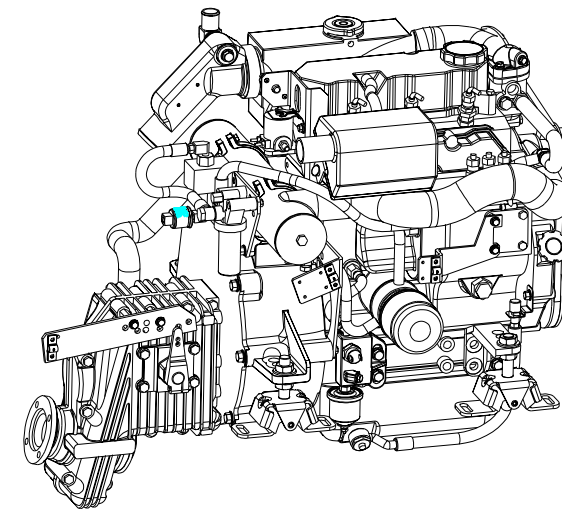
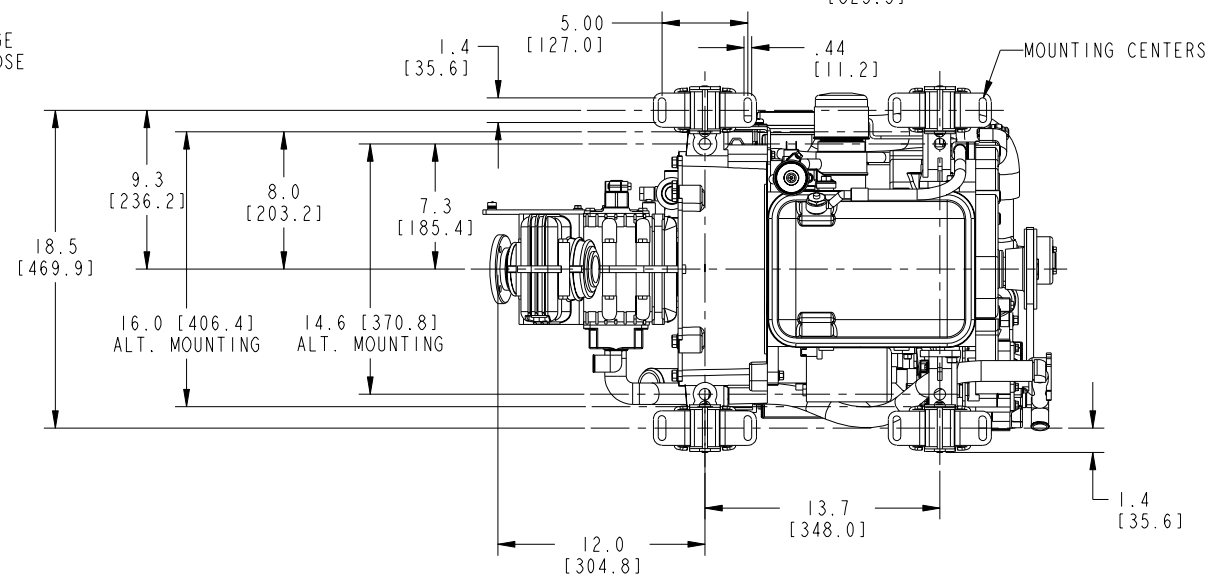
REMOVE HOSE FOR HOT WATER CONNECTION.
FITTING FOR .63 [16.0] I.D. HOSE



RAW WATER INLET
1.00 [25.4] I.D. HOSE



RAW WATER DISCHARGE
1.0 [25.4] I.D. HOSE



MODEL WITH 72 AMP ALTERNATOR

TOLERANCES (UNLESS OTHERWISE NOTED)		WESTERBEKE CORPORATION TAUNTON, MA. 02780	
INCHES	MILLIMETERS	TITLE	MATERIAL:
.XX	.X ± 1.0	INSTALLATION DRAWING	
.XXX	.X ± .5	35C THREE WITH HBW150V TRANSMISSION	
CAST	.XX ± .13		
ANGLES	.5°		
FINISH			
DIMENSIONS		DRAWN BY JM	DATE 6-23-99
← INCHES →		APPROVED BY	DATE
MILLIMETERS		SCALE 0.187	SIZE DRAWING NUMBER
(WHEN APPLICABLE)		SHT. 1 OF 1	REV. B
		D	44108