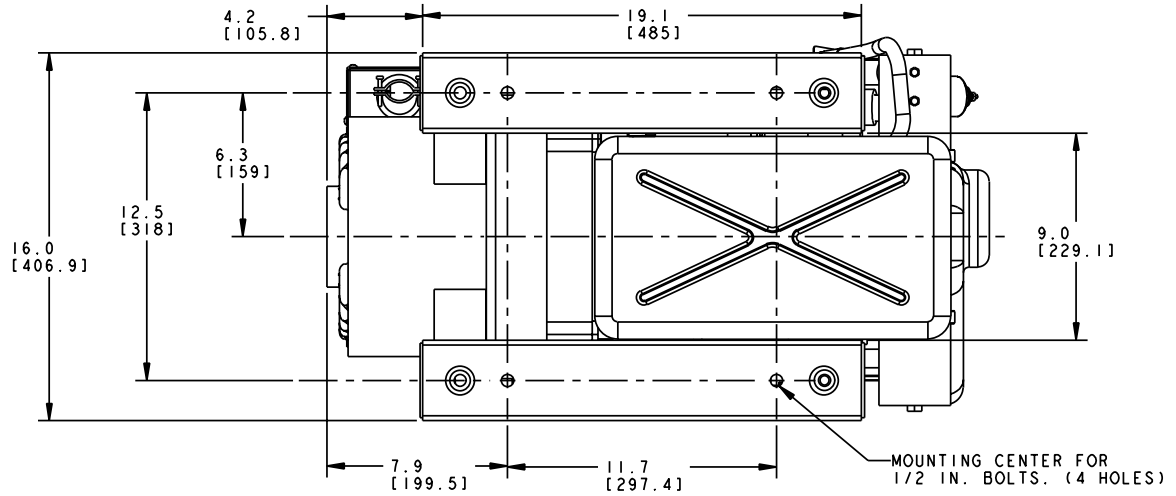
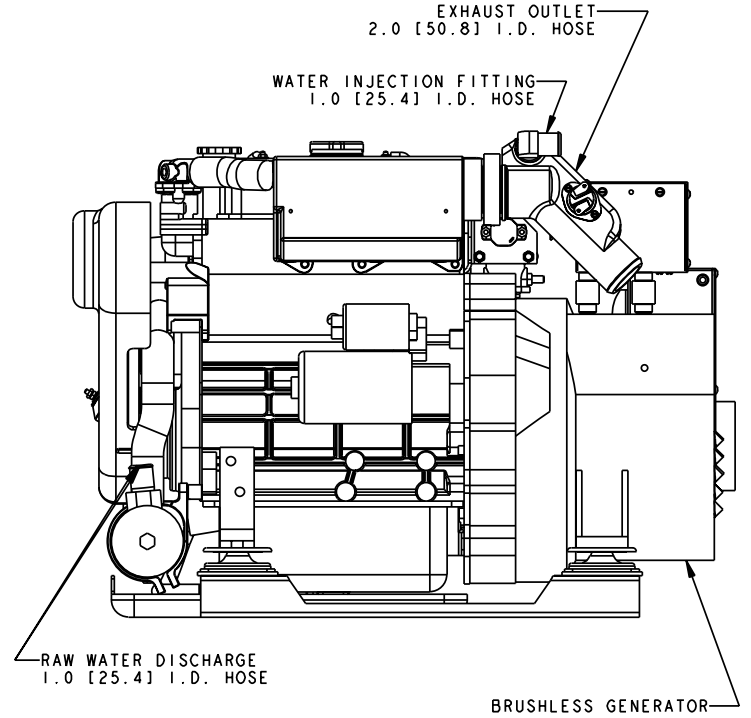
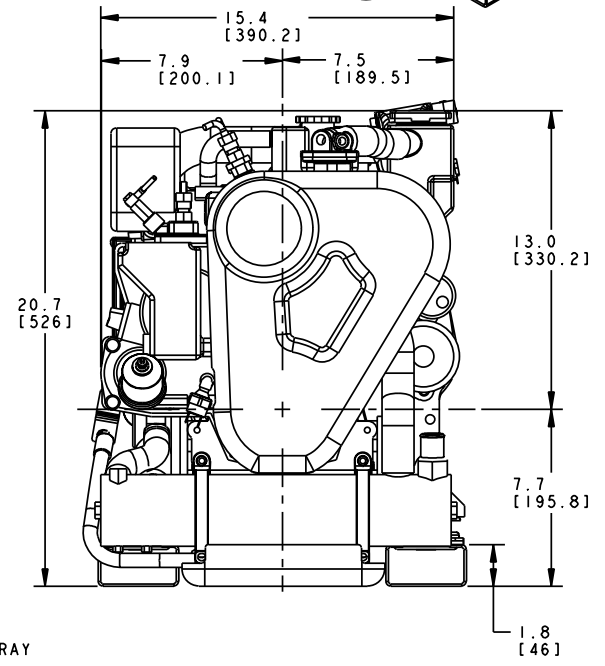
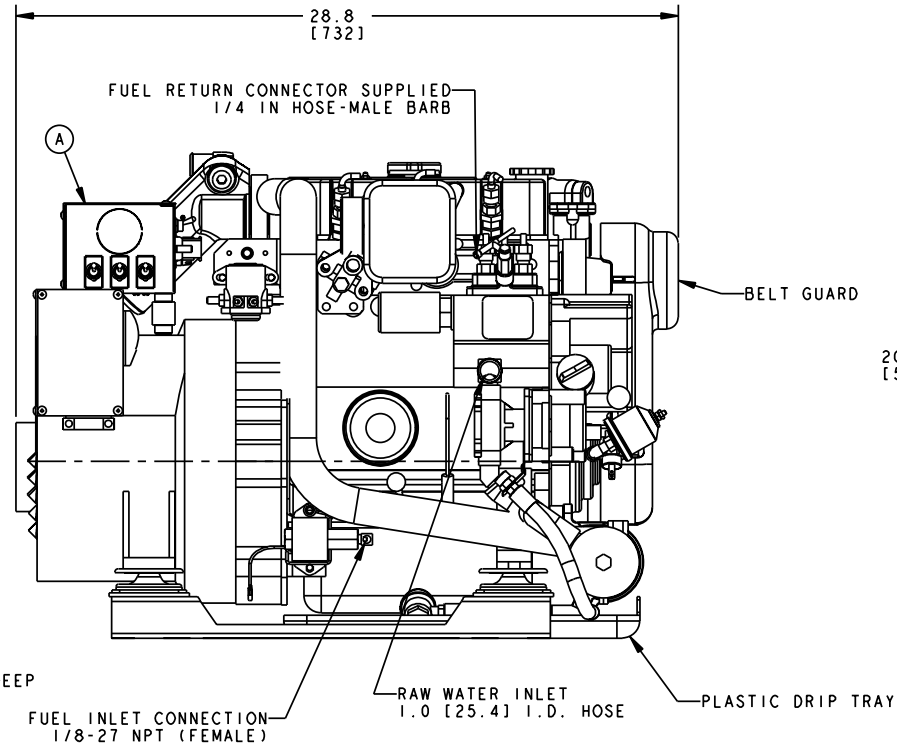
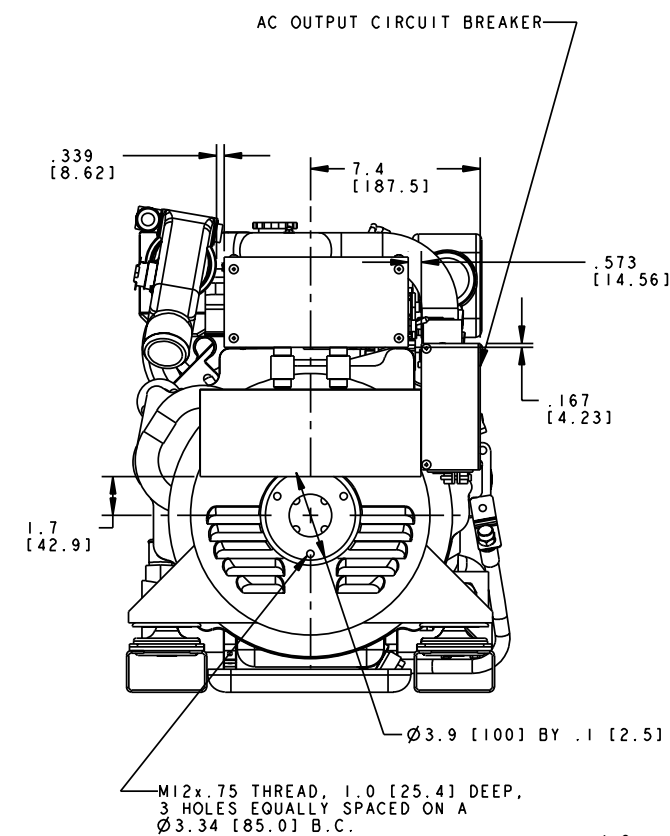
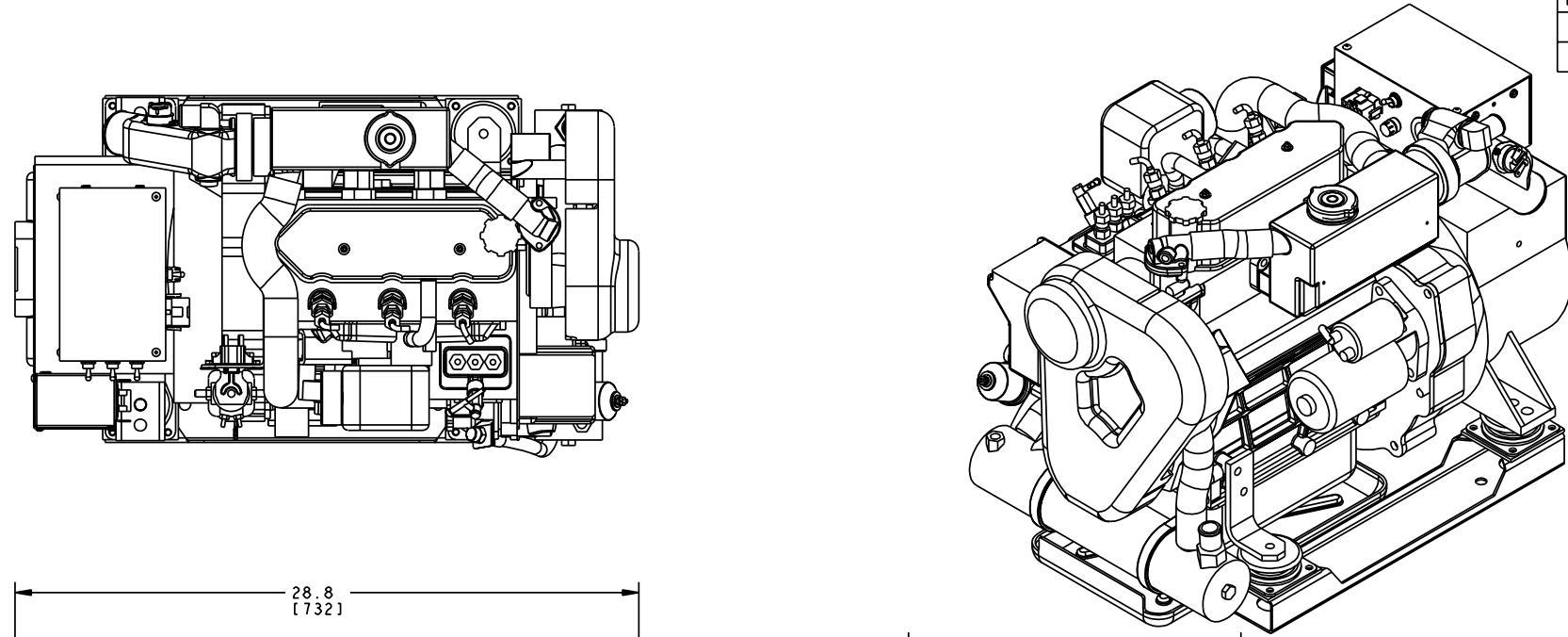


ECO NO.	DATE	REV.	REVISION RECORD	AUTH.	DR. BY
5351	8-22-02	A	CHANGED PANEL BOX		GA
5756	6-8-04	B	UPDATED PANEL BOX		GA



TOLERANCES (UNLESS OTHERWISE NOTED)		WESTERBEKE CORPORATION TAUNTON, MA. 02780	
INCHES	MILLIMETERS	TITLE	
.XX : .02	.X : ± 1.0	INSTALLATION DRAWING	
.XXX : .005	.X : ± .3	4.0 kW BCD	
CAST : .03	.XX : ± .13	DRAWN BY	DATE
FINISH		GA	05/Jun/02
DIMENSIONS		APPROVED BY	DATE
INCHES			
MILLIMETERS		SCALE 0.250	SIZE
(WHEN APPLICABLE)		SHT. 1 OF 1	DRAWING NUMBER
		D	47887
			REV.
			B