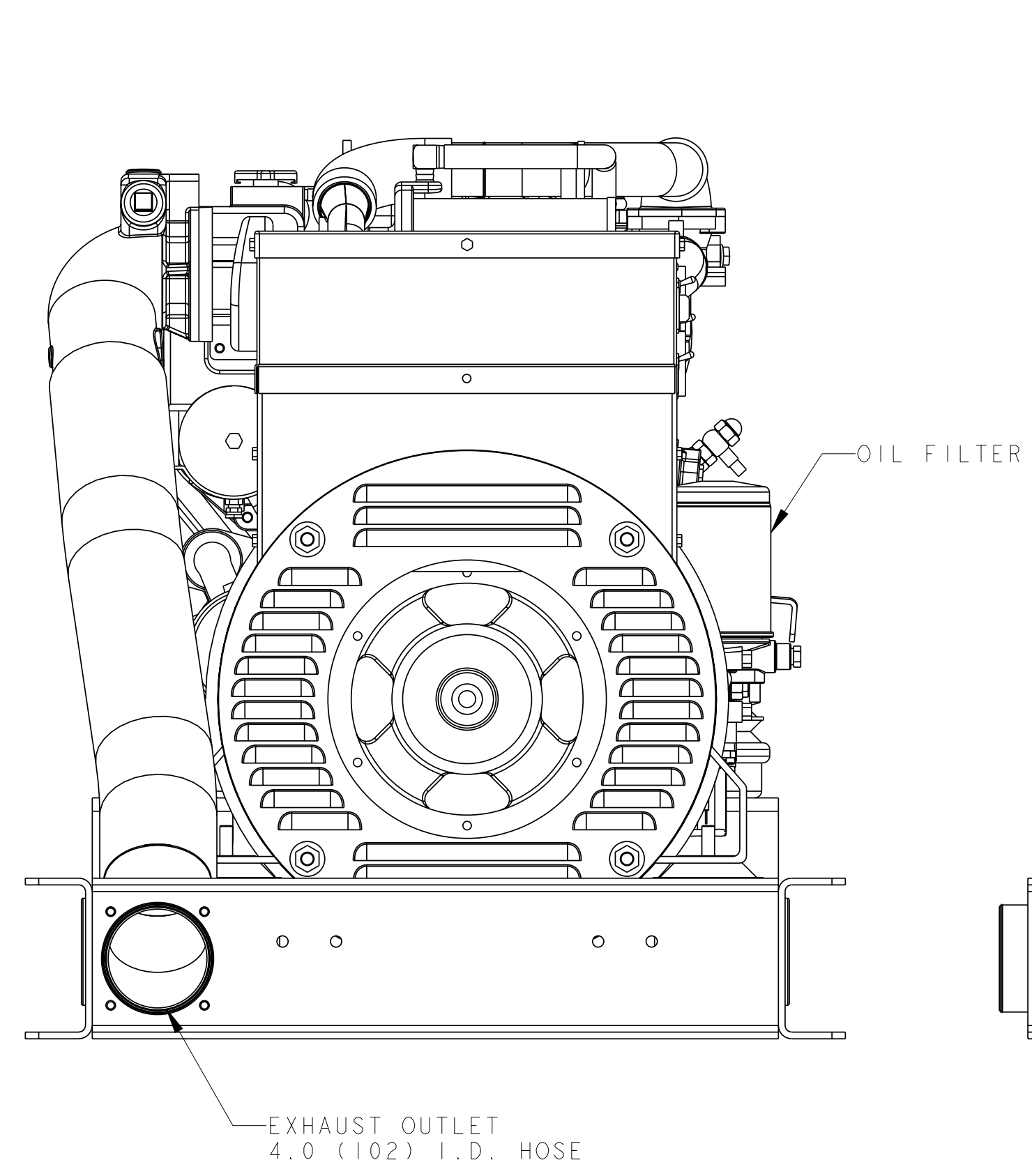
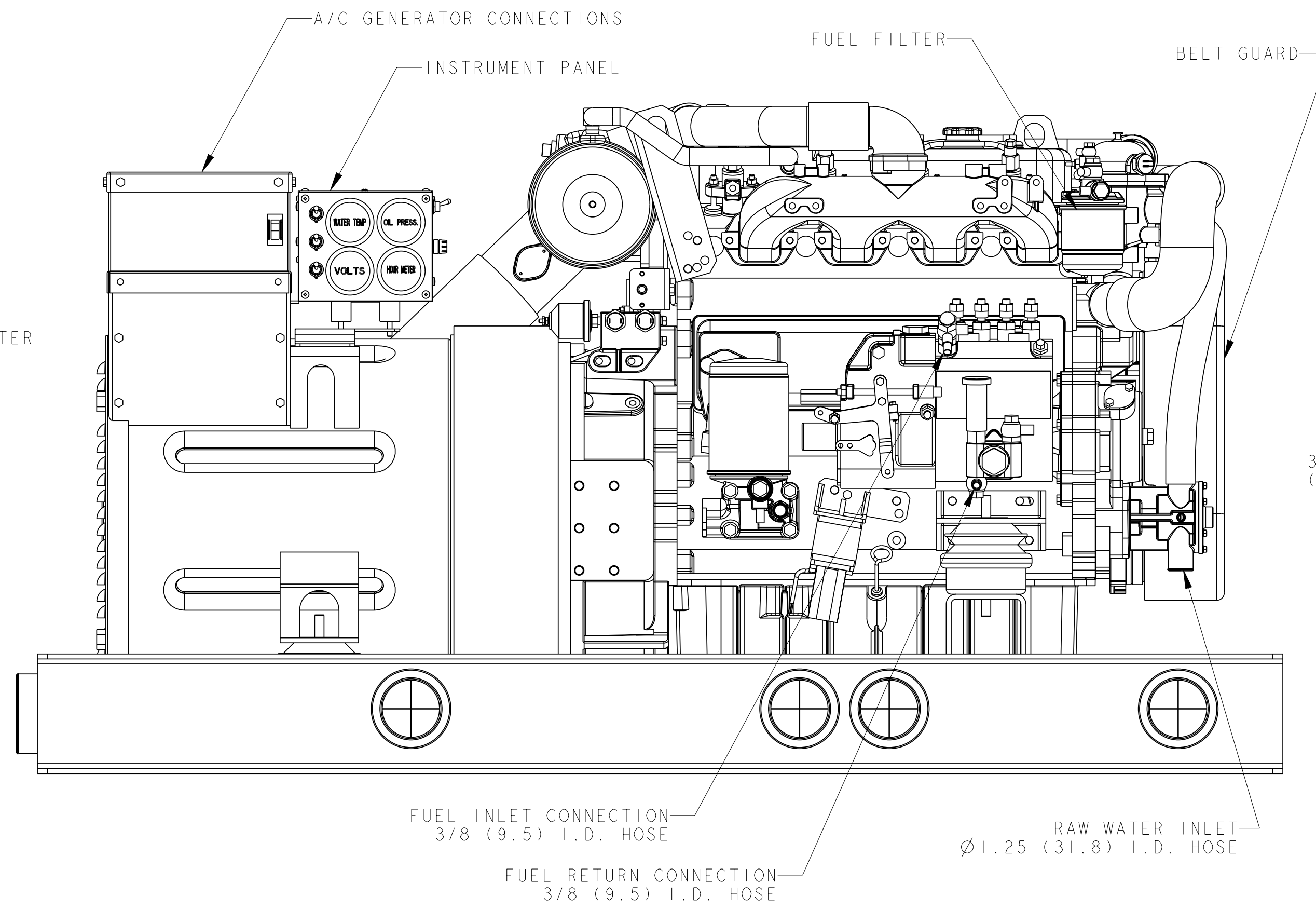


AIR FILTER



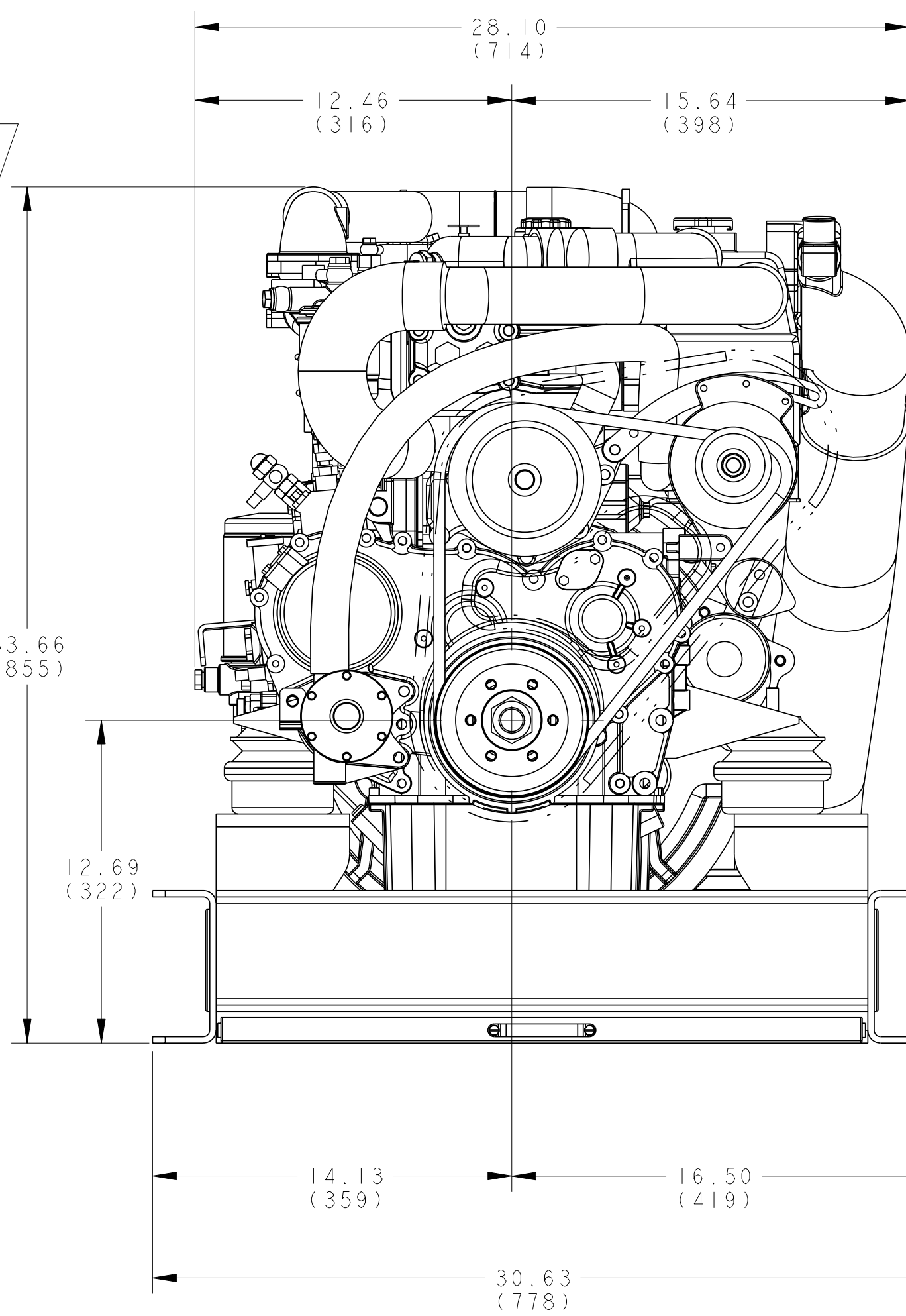
EXHAUST OUTLET
4.0 (102) I.D. HOSE



FUEL INLET CONNECTION
3/8 (9.5) I.D. HOSE

FUEL RETURN CONNECTION
3/8 (9.5) I.D. HOSE

RAW WATER INLET
Ø1.25 (31.8) I.D. HOSE



33.66
(855)

12.69
(322)

28.10
(714)

12.46
(316)

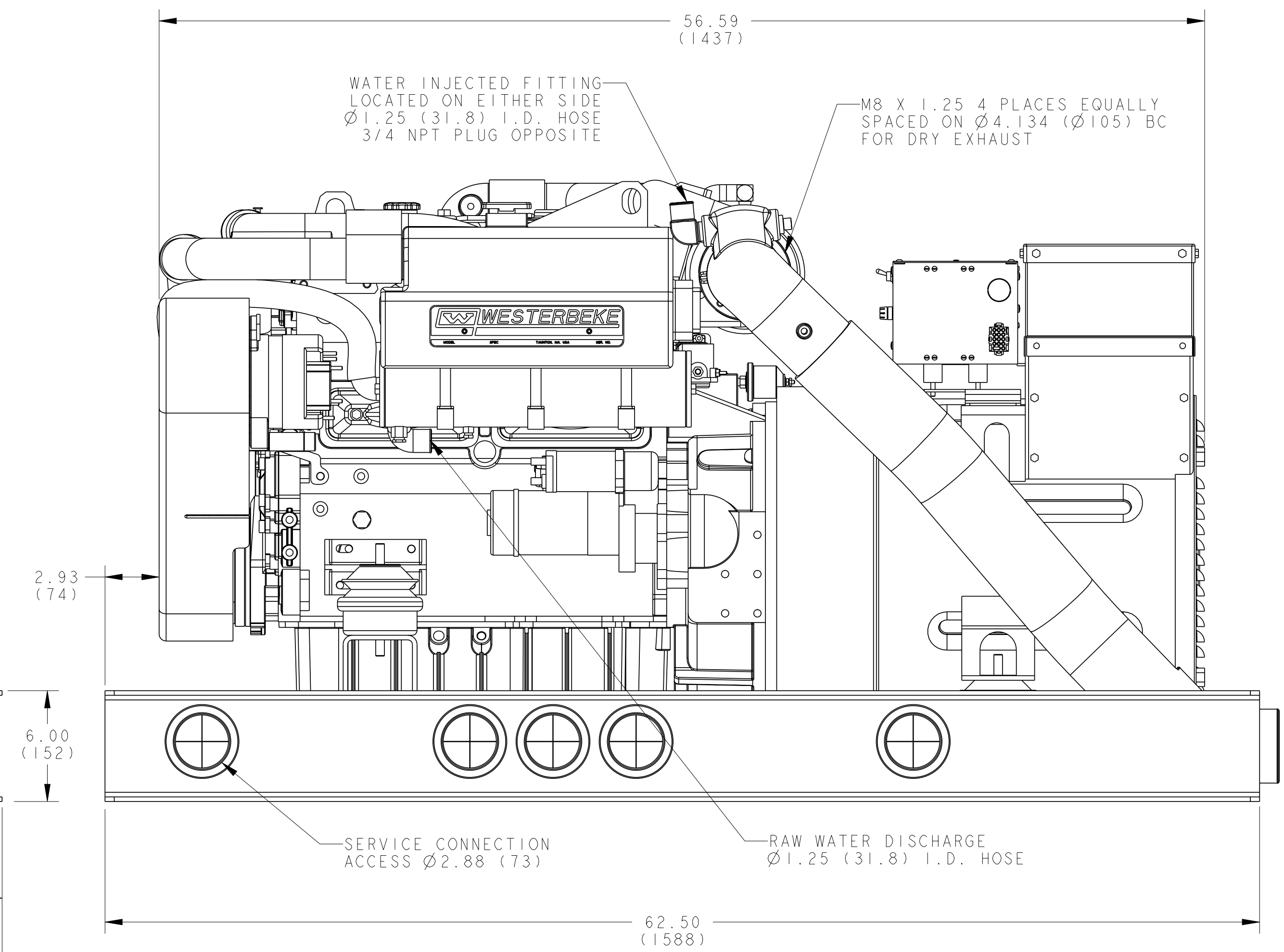
15.64
(398)

14.13
(359)

16.50
(419)

30.63
(778)

6.00
(152)



2.93
(74)

6.00
(152)

SERVICE CONNECTION
ACCESS Ø2.88 (73)

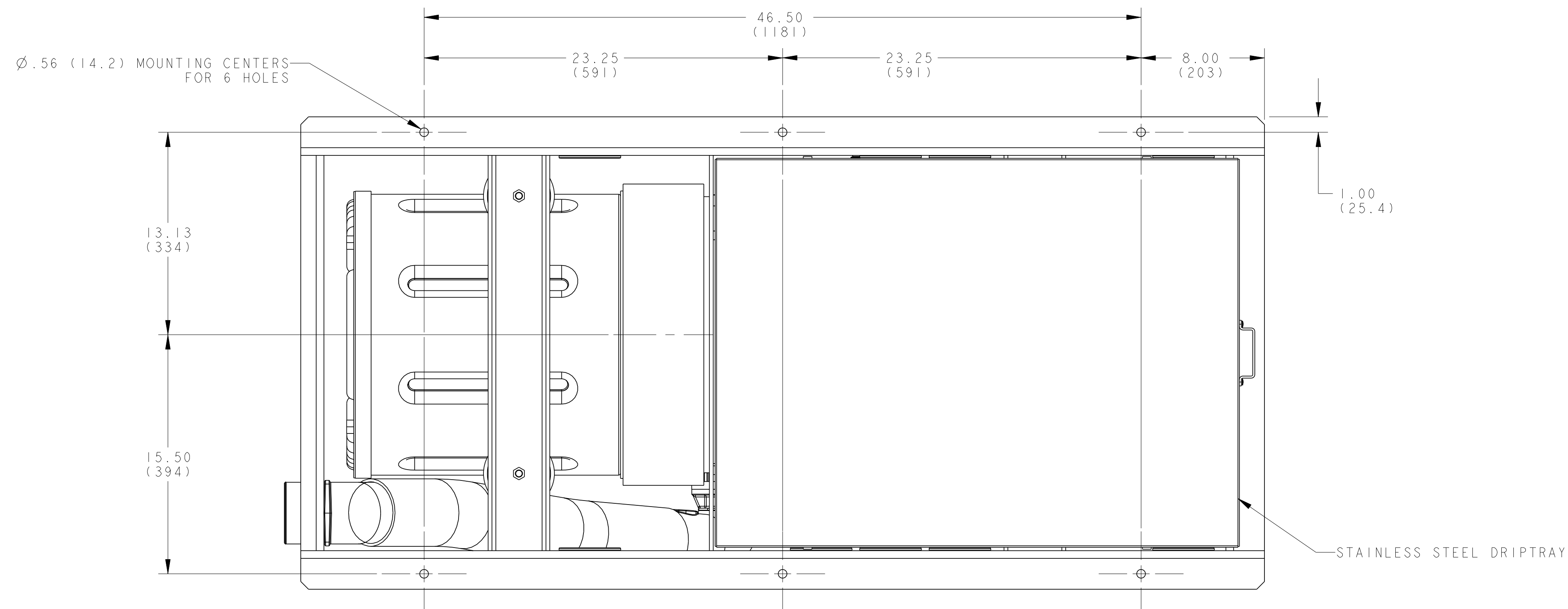
RAW WATER DISCHARGE
Ø1.25 (31.8) I.D. HOSE

56.59
(1437)

WATER INJECTED FITTING
LOCATED ON EITHER SIDE
Ø1.25 (31.8) I.D. HOSE
3/4 NPT PLUG OPPOSITE

M8 X 1.25 4 PLACES EQUALLY
SPACED ON Ø4.134 (Ø105) BC
FOR DRY EXHAUST

62.50
(1588)



Ø.56 (14.2) MOUNTING CENTERS
FOR 6 HOLES

13.13
(334)

15.50
(394)

STAINLESS STEEL DRIPTRAY

MODEL WITH 50 AMP ALTERNATOR

TOLERANCES (UNLESS OTHERWISE NOTED)		WESTERBEKE CORPORATION TAUNTON MA. 02780			
INCHES	MILLIMETERS	TITLE			
.XX ± .02	X ± .5	INSTALLATION DRAWING 40 BEDA-6112			
.XXX ± .005	.X ± .1	45-60 BEDA 6312			
CAST ± .03	.XX ± .1	DRWN BY	GA	DATE	MATERIAL
ANGLES ± .2				21/Dec/2005	
FINISH		APPROVED BY		DATE	
DIMENSIONS		SCALE	SIZE	DRAWING NUMBER	REV.
INCHES		0.200		E 52489	
MILLIMETERS					
(WHEN APPLICABLE)		SHT.	1 OF 1		