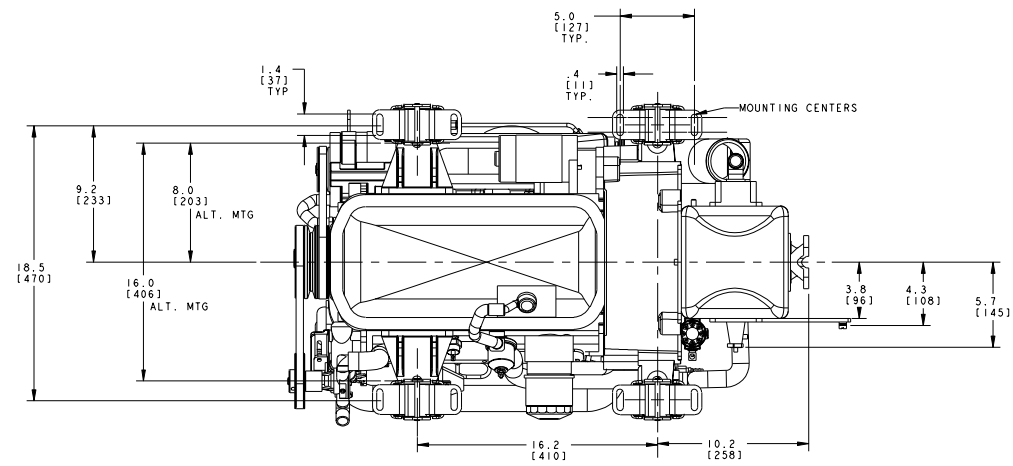


Ø .41 [10.5] THRU -4 HOLES EQUALLY SPACED ON A 3.25\"/>



MODEL WITH 50 AMP ALTERNATOR

TOLERANCES UNLESS OTHERWISE NOTED:		WESTERBEKE CORPORATION TAUNTON, MA. 02780	
INCHES	MILLIMETERS	TITLE	
.XX ± .02	.XX ± .15	INSTALLATION DRAWING, 55B	
.XXX ± .008	.XX ± .13	WITH HBW-250 TRANSMISSION.	
CAD ± .03		DRAWN BY	DATE
FINISH ± .01		APPROVED BY	DATE
DIMENSIONS		MATERIAL:	
INCHES	MILLIMETERS	SCALE 0.250	SIZE DRAWING NUMBER
WHERE APPLICABLE:		REV. 1 OF 2	E 47963