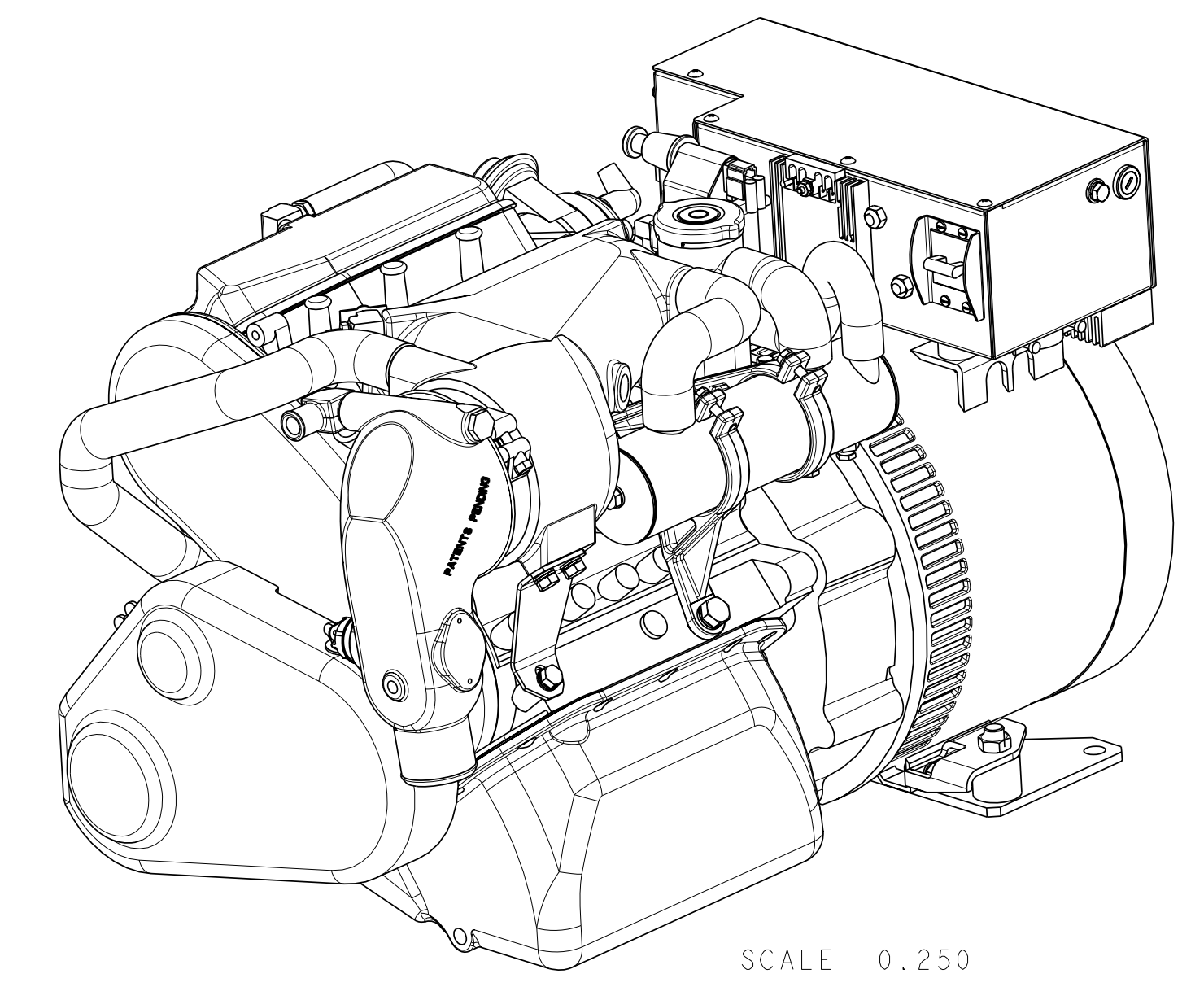
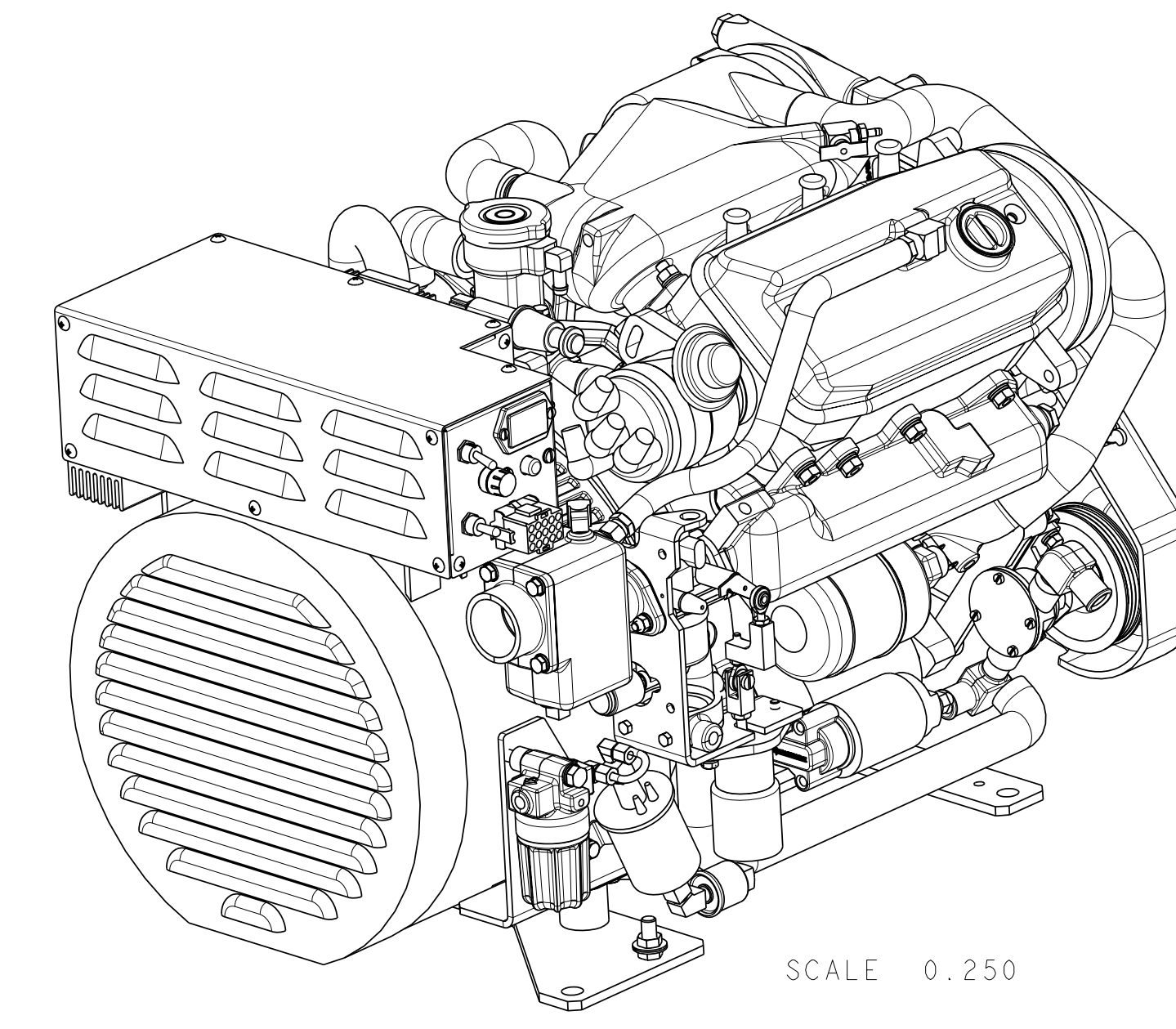
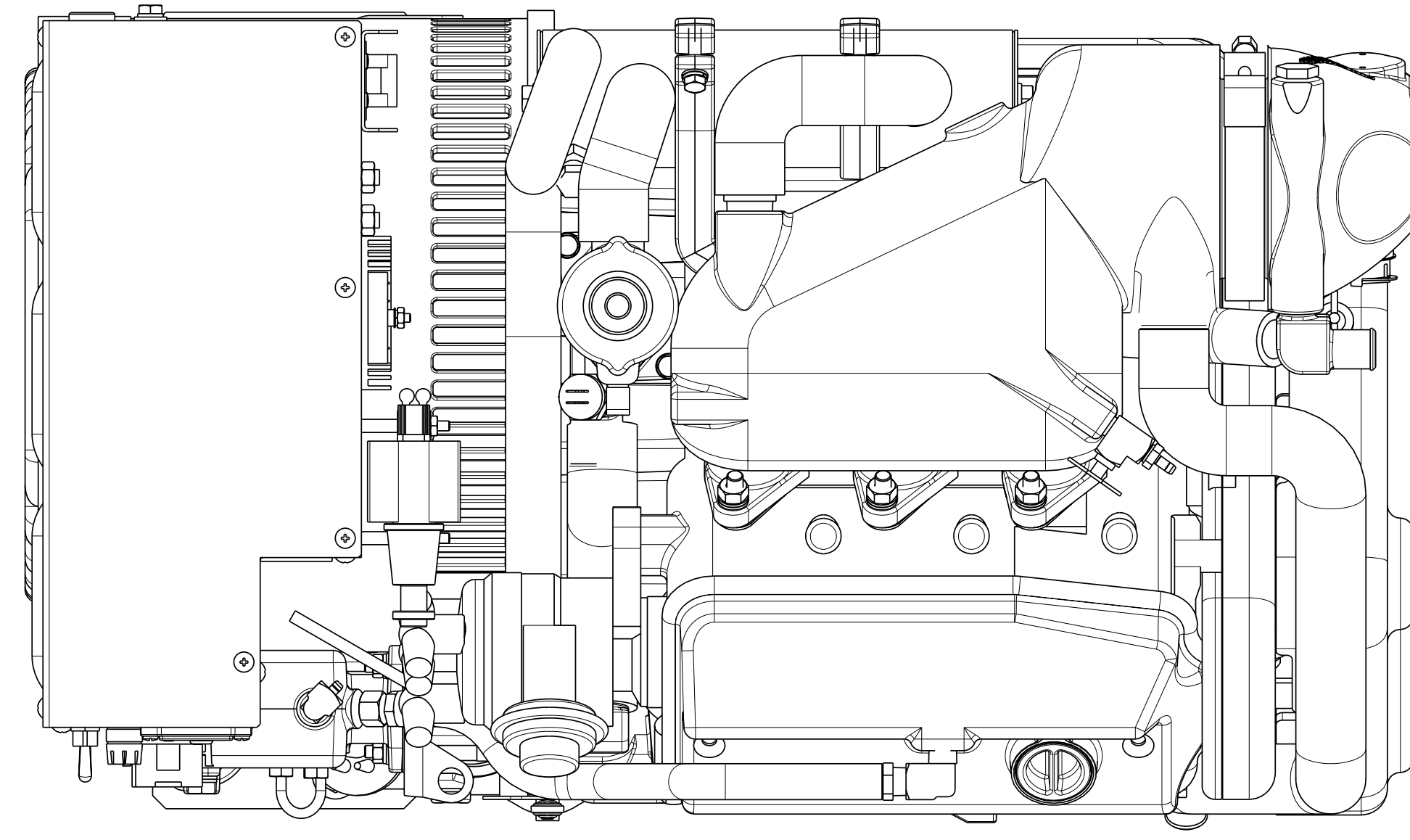
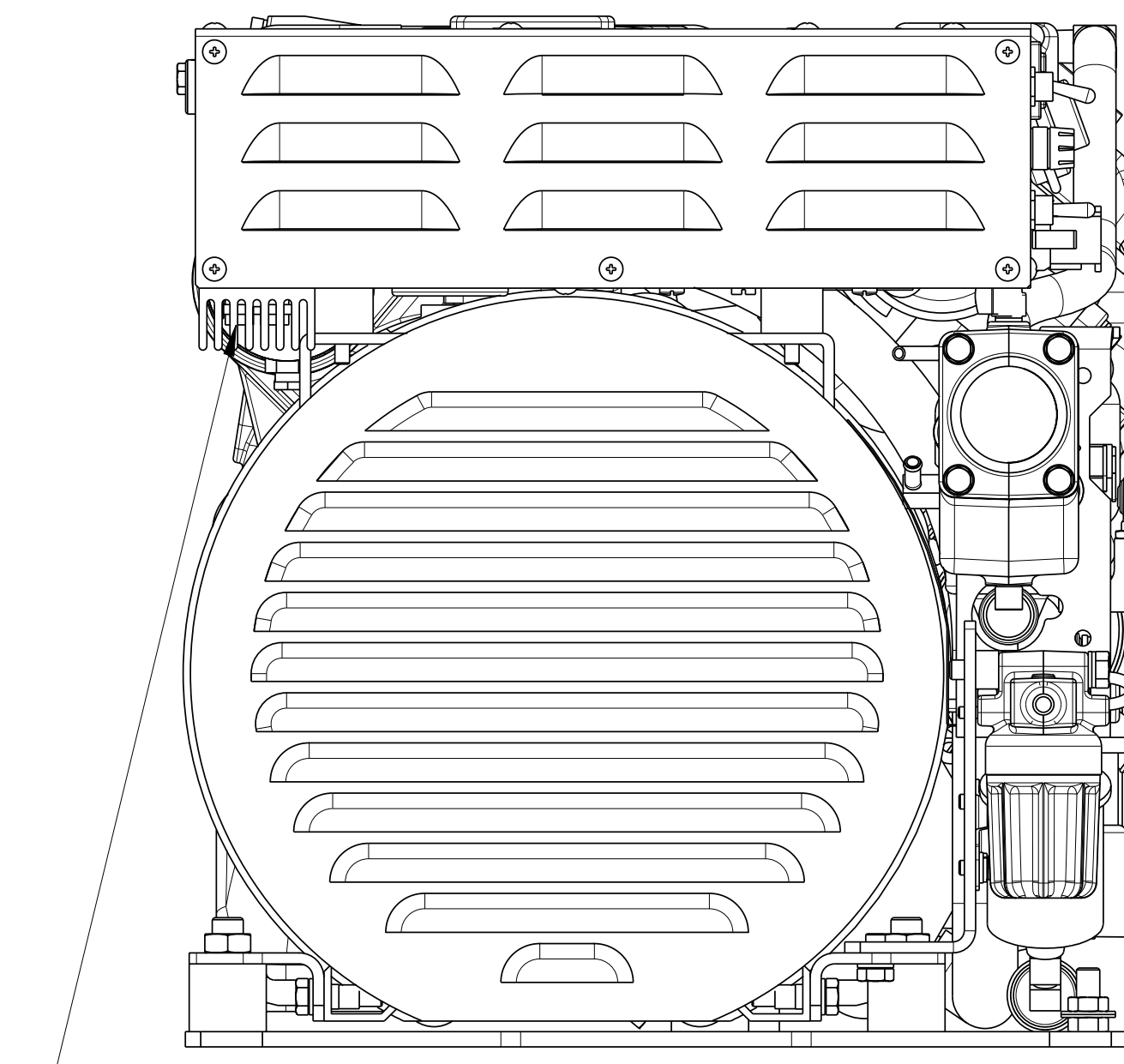


ECO NO.	DATE	REV.	REVISION RECORD	AUTH.	DR. BY
5425	12-72	A	ADDED PART #48076 TO ASSEMBLY		BM
5612	10-20	B	DIPSTICK CHANGED TO 48810;		GA
	03		ADDED 48808 CHOKE LINK GUARD		

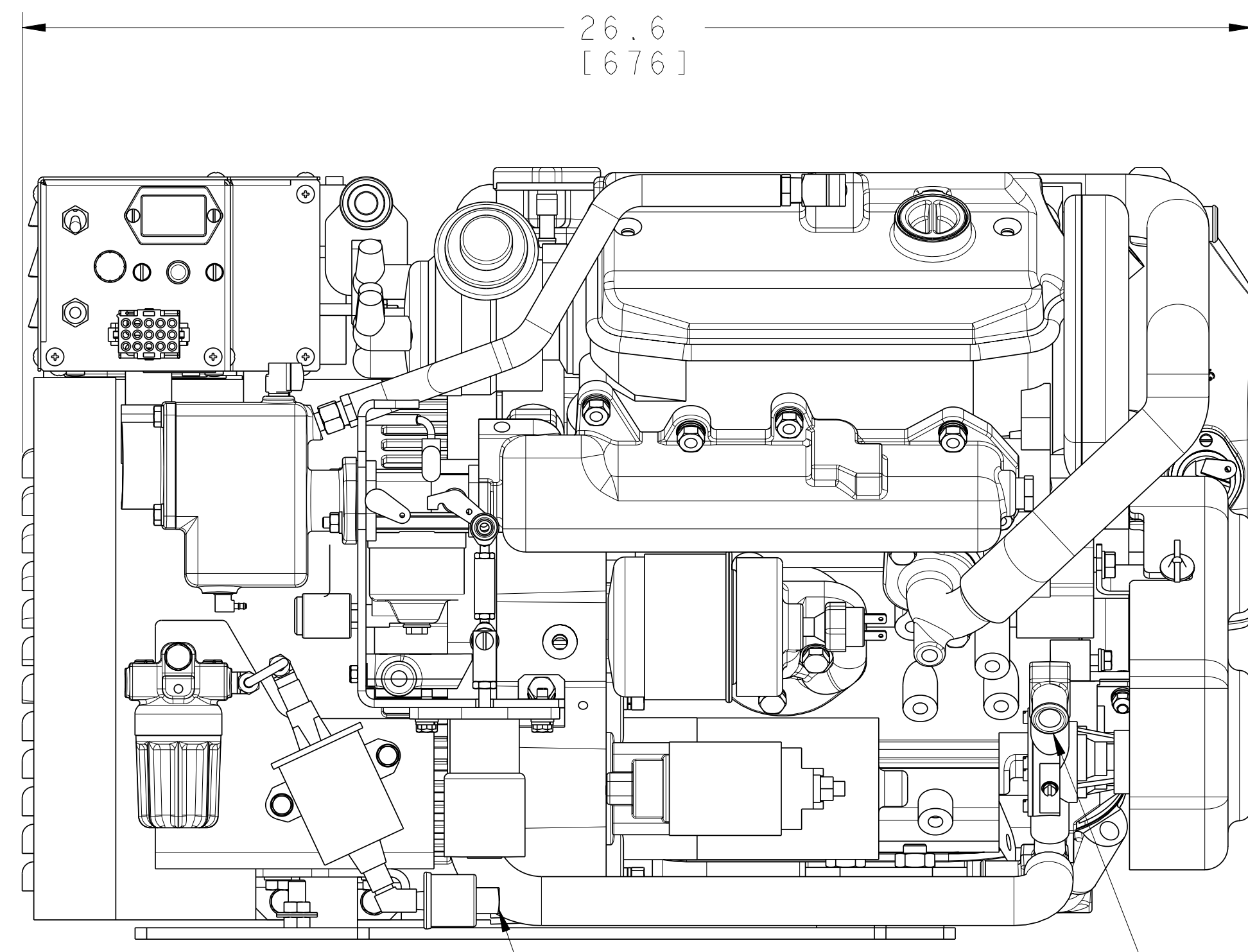


SCALE 0.250

SCALE 0.250

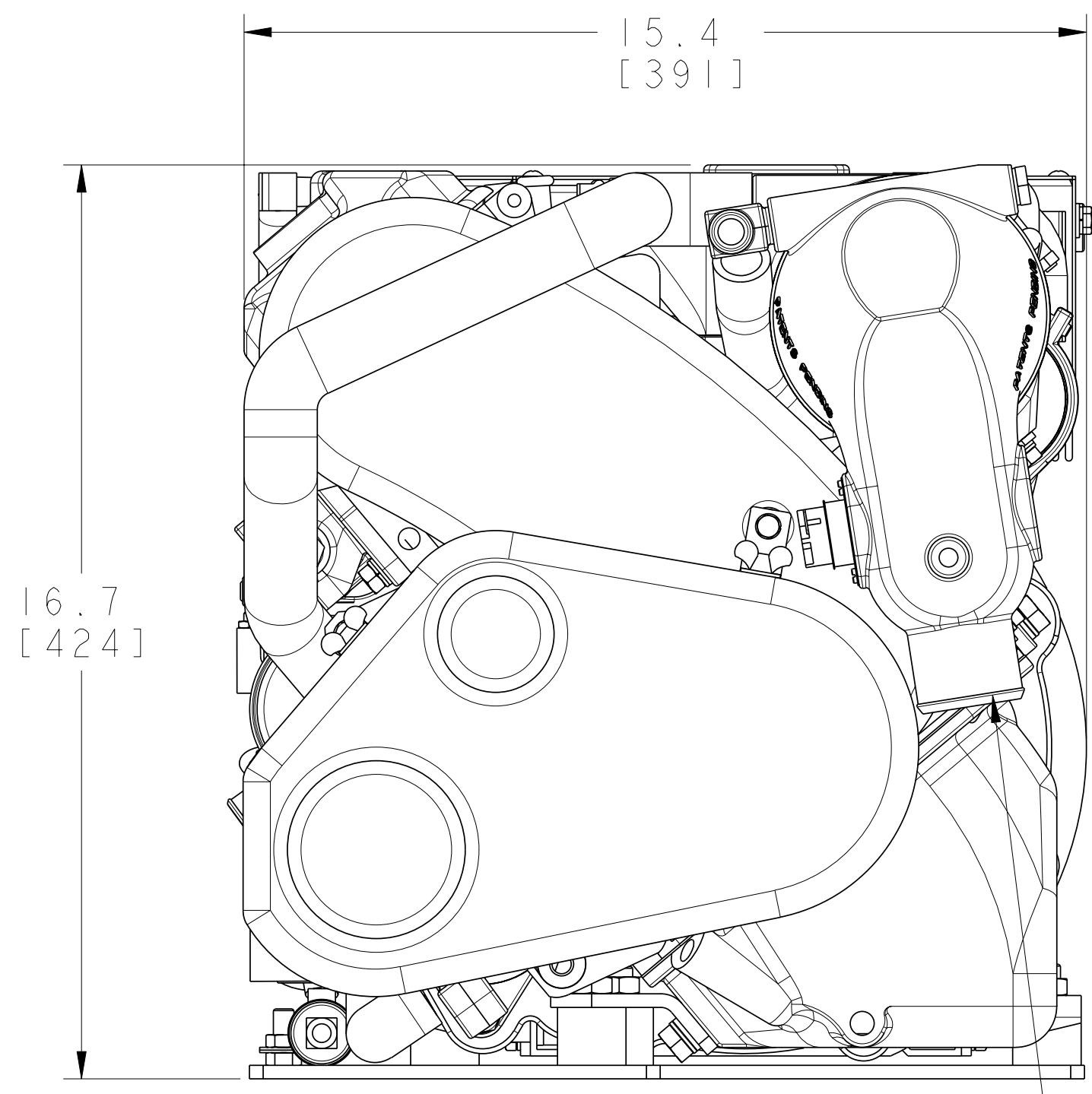


A.C. CONNECTION WIRING
OUTLET



26.6
[676]

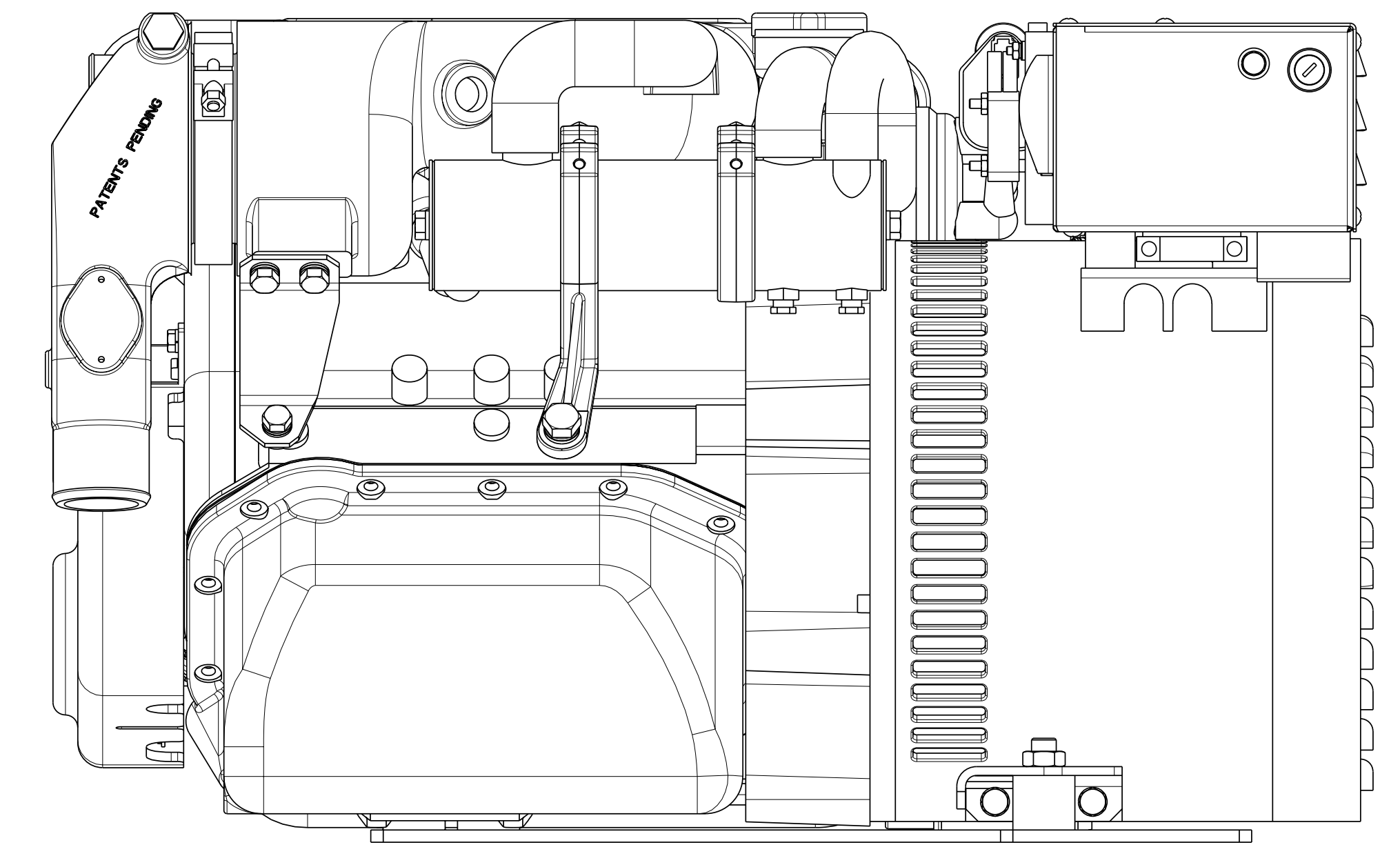
CUSTOMER FUEL CONNECTION
1/8-27 NPT FEMALE



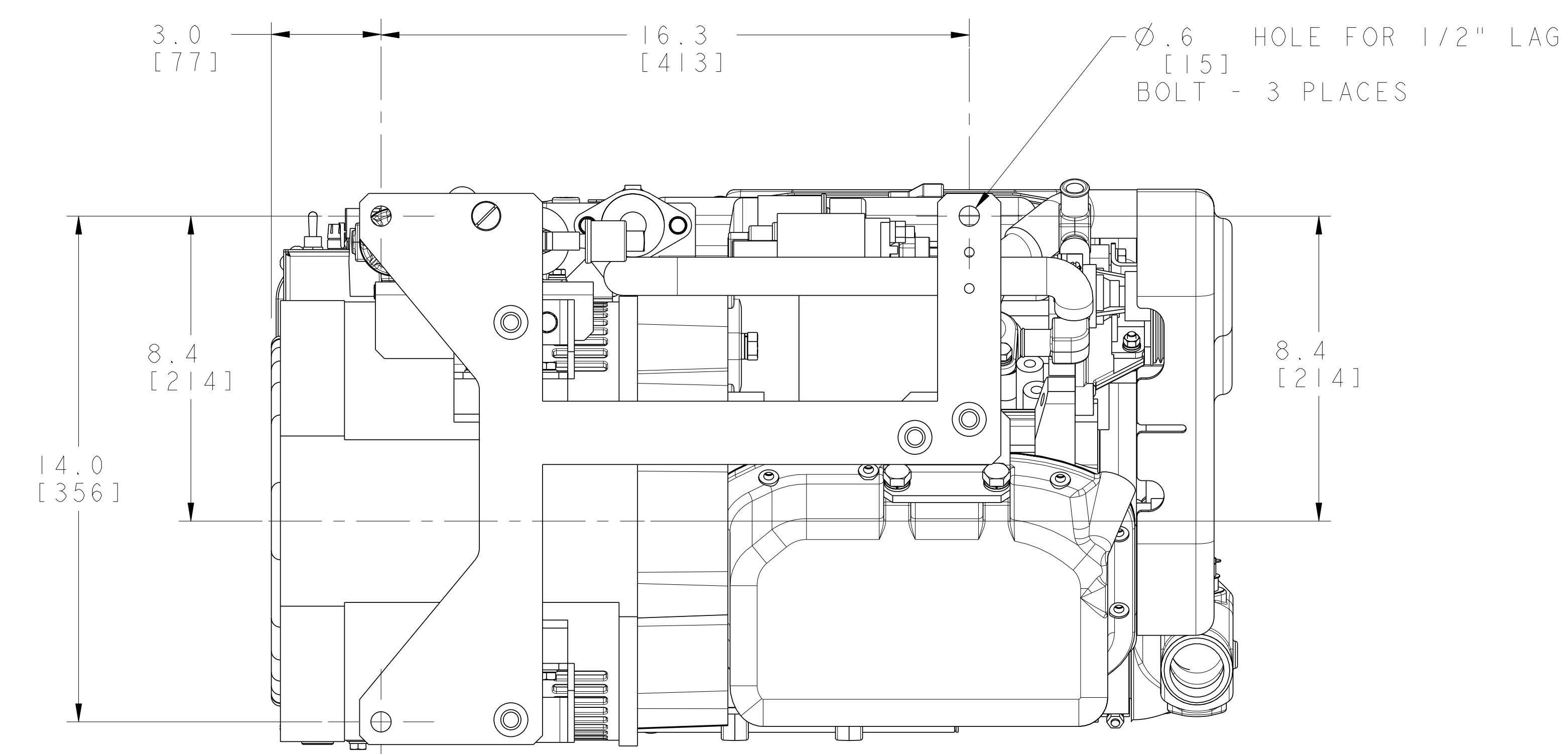
15.4
[391]

16.7
[424]

RAW WATER INLET
Ø.75 I.D. HOSE



EXHAUST OUTLET
Ø2.00 I.D. HOSE



3.0
[77]

16.3
[413]

Ø.6 HOLE FOR 1/2" LAG
BOLT - 3 PLACES

8.4
[214]

8.4
[214]

14.0
[356]

NUMBERS IN BRACKETS ARE IN MILLIMETERS

TOLERANCES (UNLESS OTHERWISE NOTED)		WESTERBEKE CORPORATION TAUNTON MA. 02780	
INCHES	MILLIMETERS	TITLE	
.XX : .02	X :	INSTALLATION DRAWING	
.XXK : .005	.XX :	7.0 KW.BCGD GENSET	
CAD : .03		DRAWN BY	DATE
FINISH		WRM	17/Dec/01
		APPROVED BY	DATE
DIMENSIONS		SCALE	DRAWING NUMBER
		0.375	
(WHEN APPLICABLE)		Sht. 1 of 2	E 46982