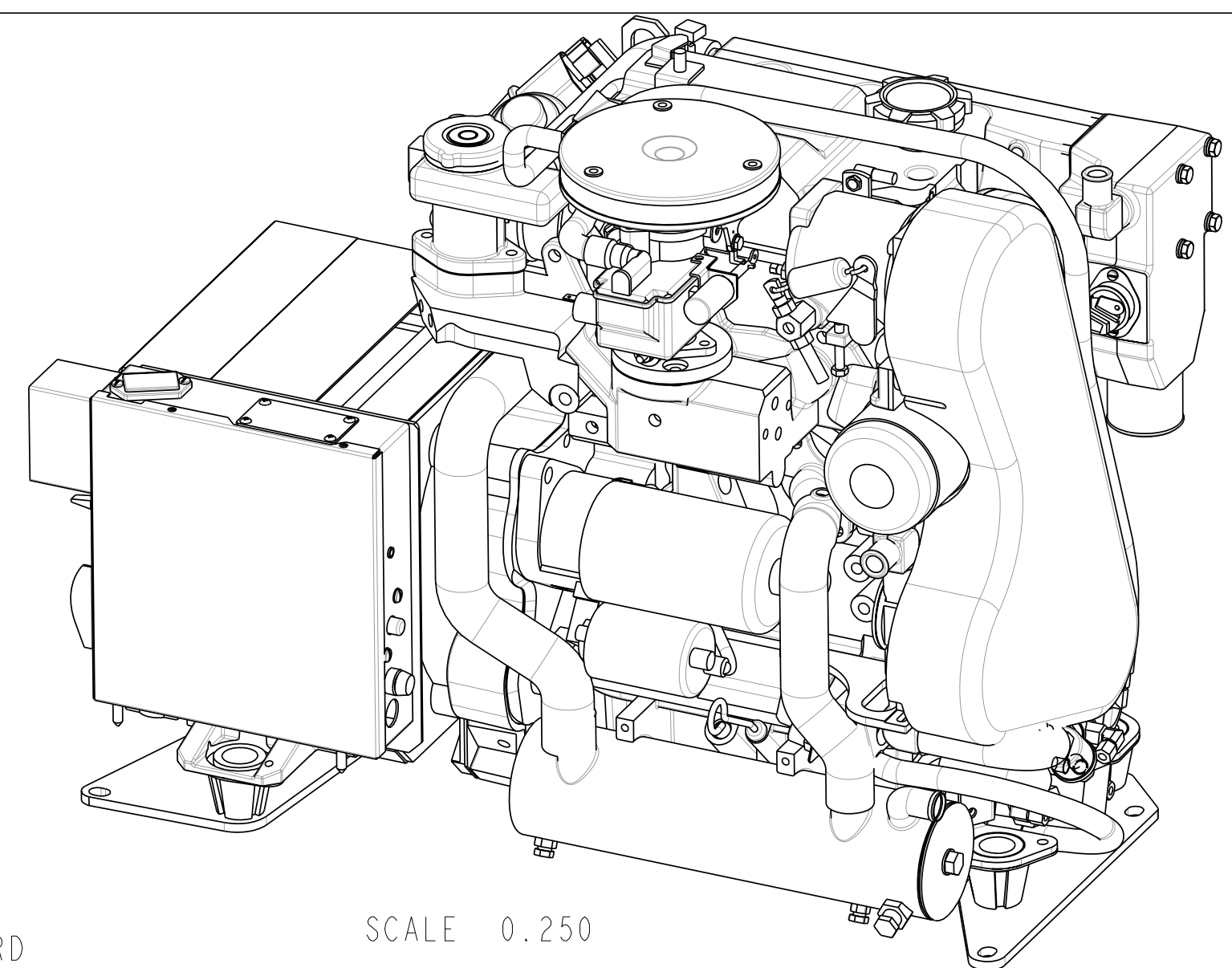
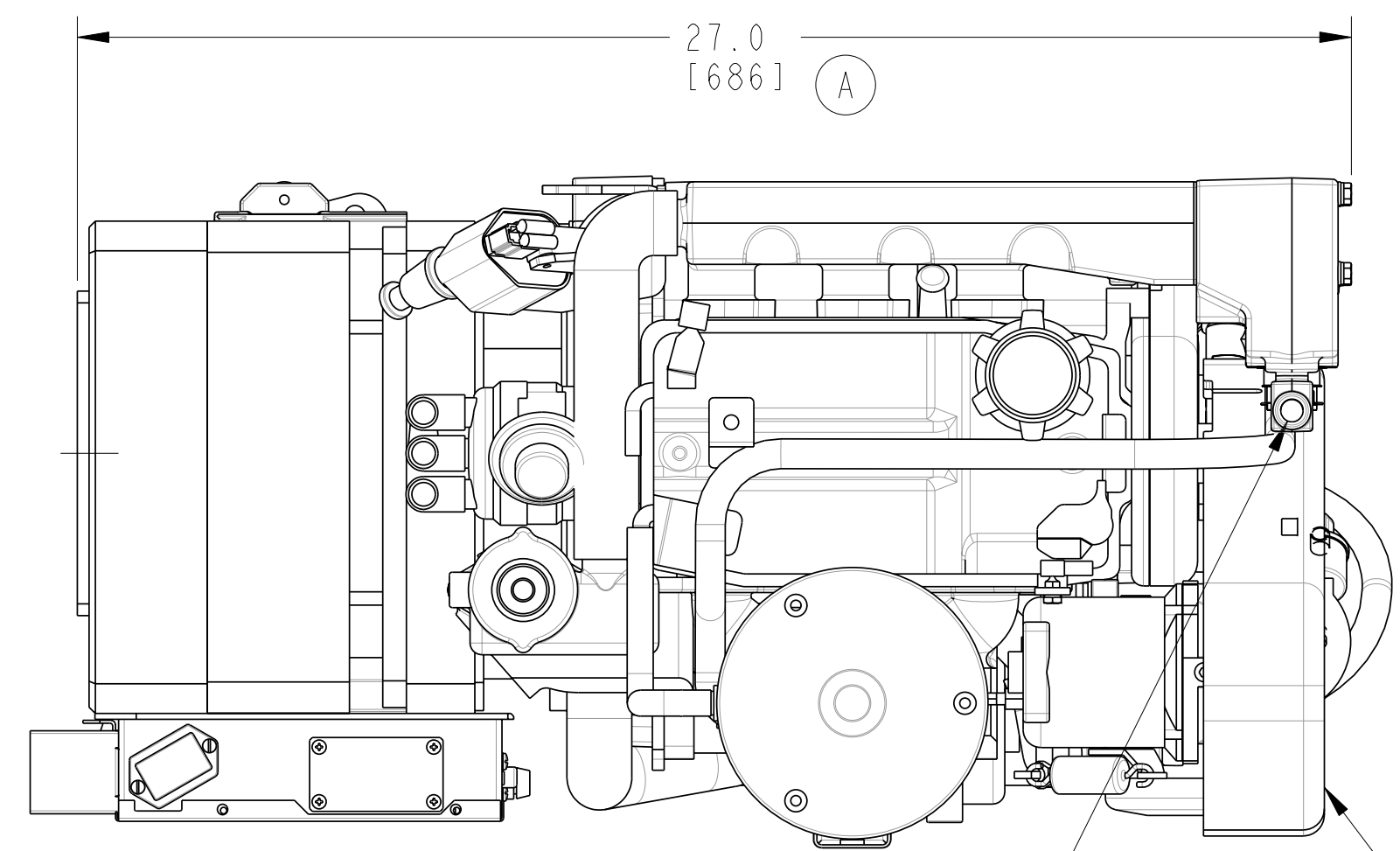


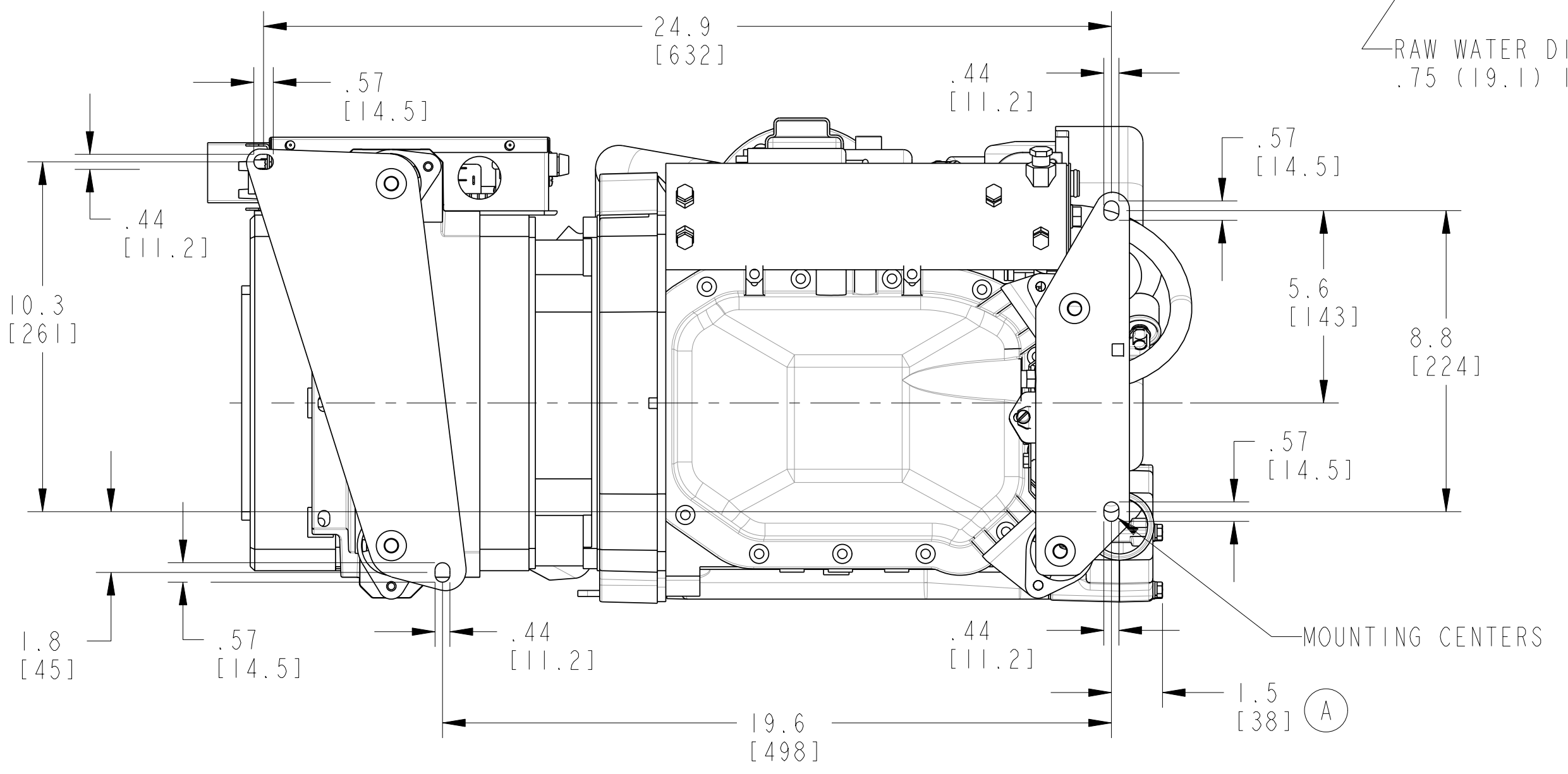
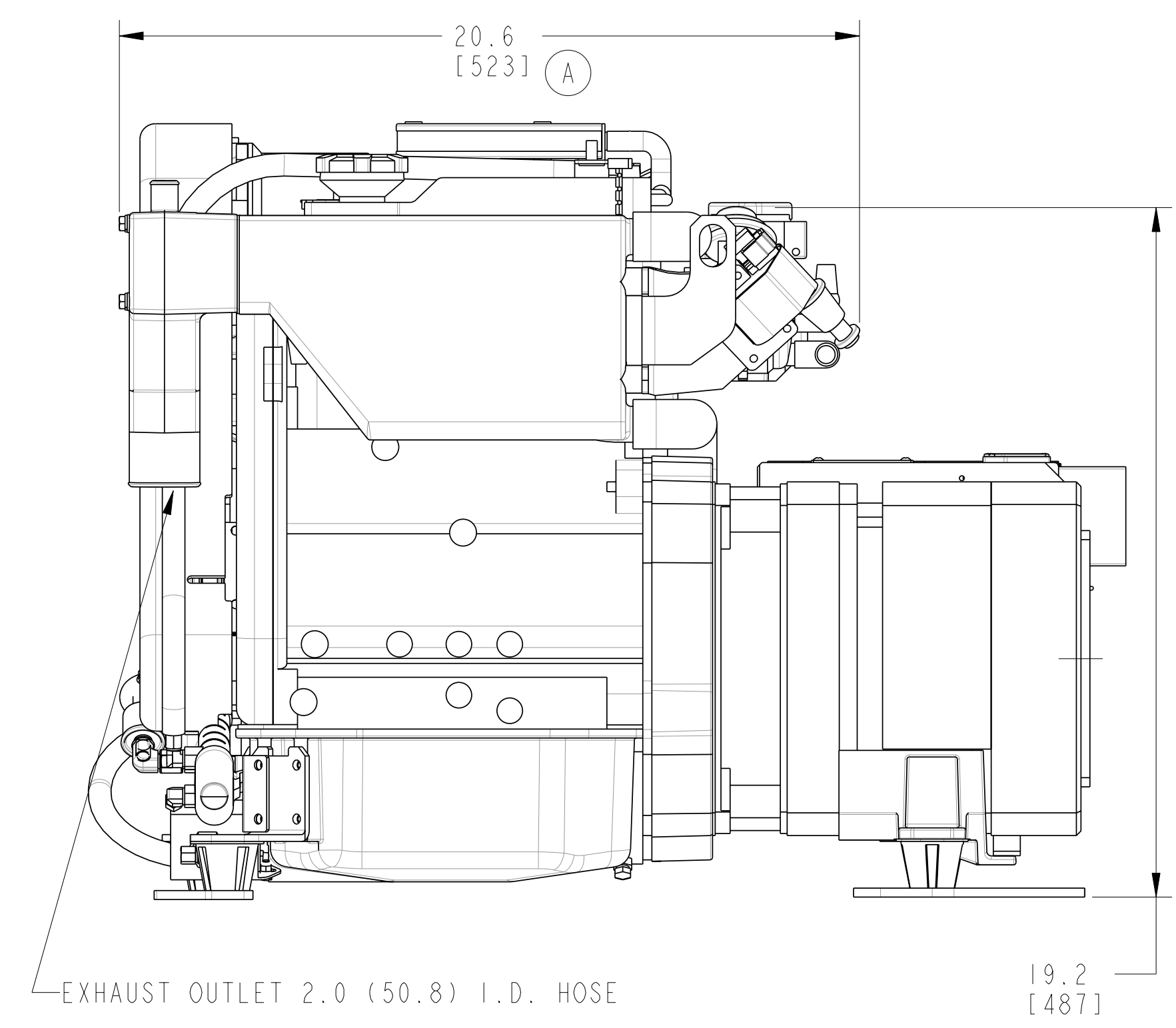
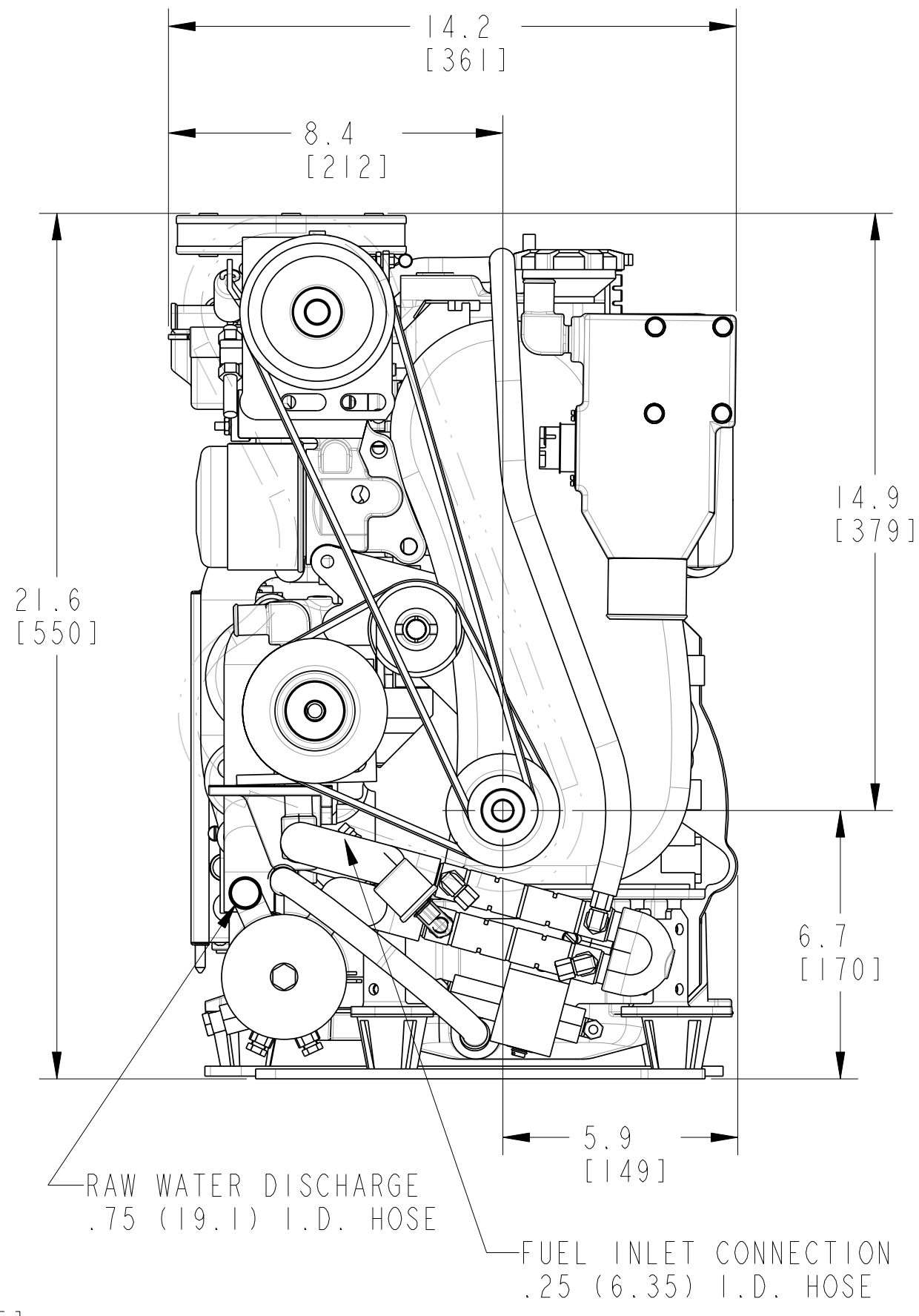
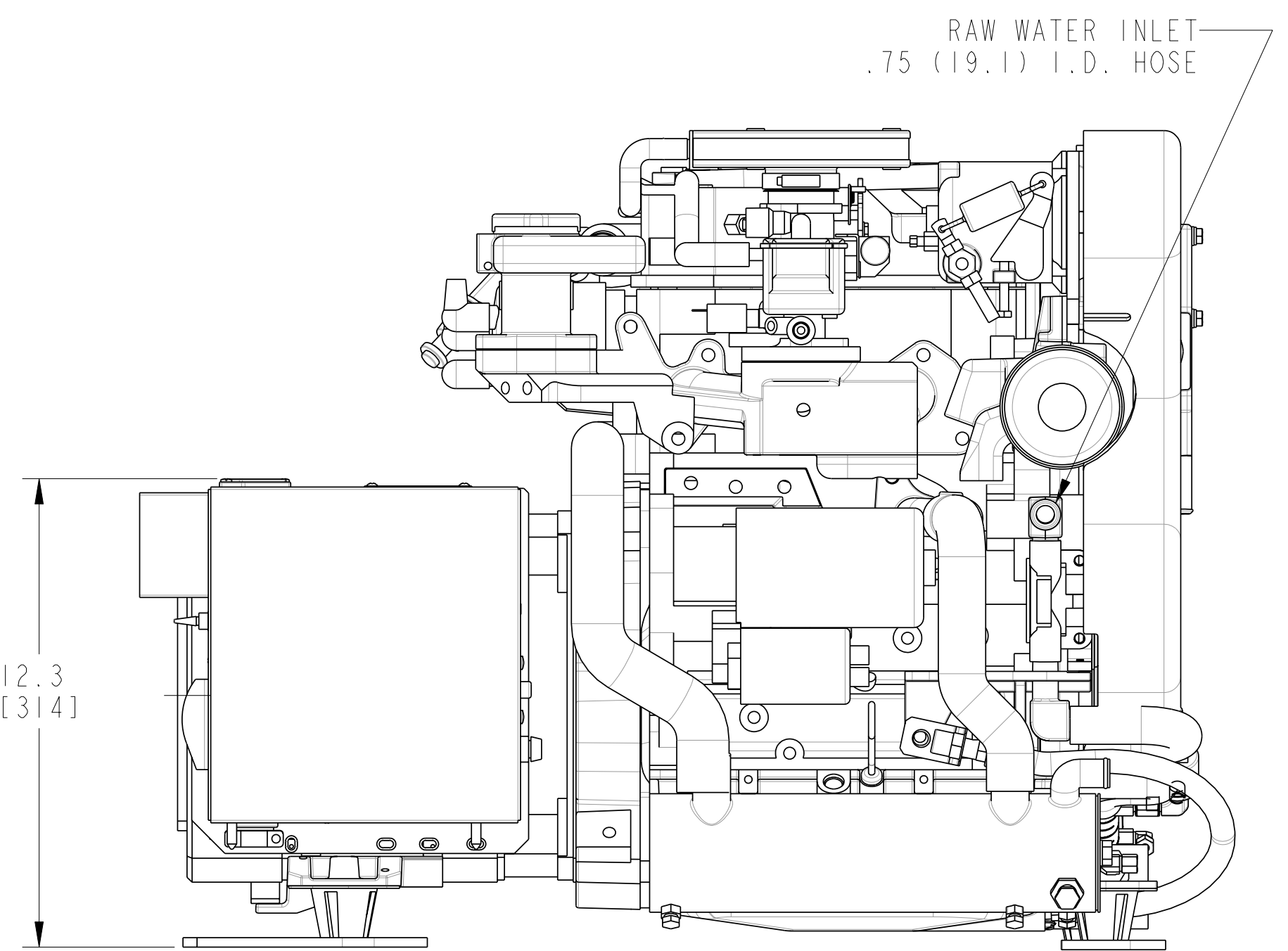
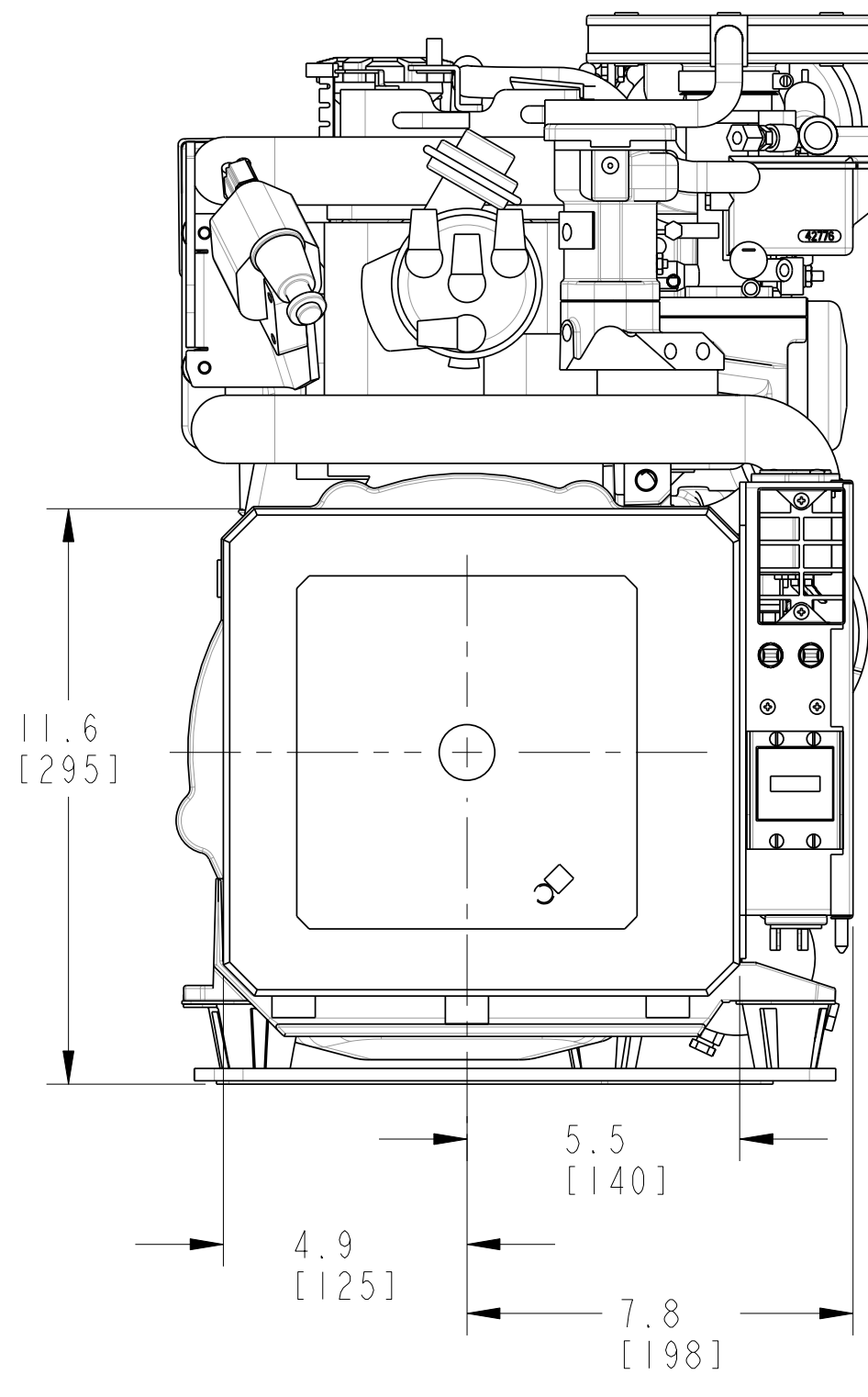
ECO NO.	DATE	REV.	REVISION RECORD	AUTH.	DR. BY
5172	1-11-02	A	27.0 DIM WAS 26.8; 1.5 DIM WAS 1.3; 20.6 DIM WAS 20.1		WRM



WATER INJECTION FITTING  
.75 (19.1) I.D. HOSE

BELT GUARD

SCALE 0.250



TOLERANCES (UNLESS OTHERWISE NOTED)		WESTERBEKE CORPORATION TAUNTON, MA. 02780	
INCHES	MILLIMETERS	TITLE	
.XX : .02	X. ± 1.0	INSTALLATION DRAWING	
.XXX : .005	.X ± .5	7.2 BCGTC	
CAST : .03	.XX ± .13		
ANGLES : .5°			
FINISH			
DIMENSIONS		DRAWN BY	DATE
INCHES MILLIMETERS		JM	2-9-98
(WHEN APPLICABLE)		APPROVED BY	DATE
		SCALE 0.281	SIZE
		SHT. 1 OF 1	DRAWING NUMBER
		<b>D</b>	<b>43323</b>
			REV.
			<b>A</b>