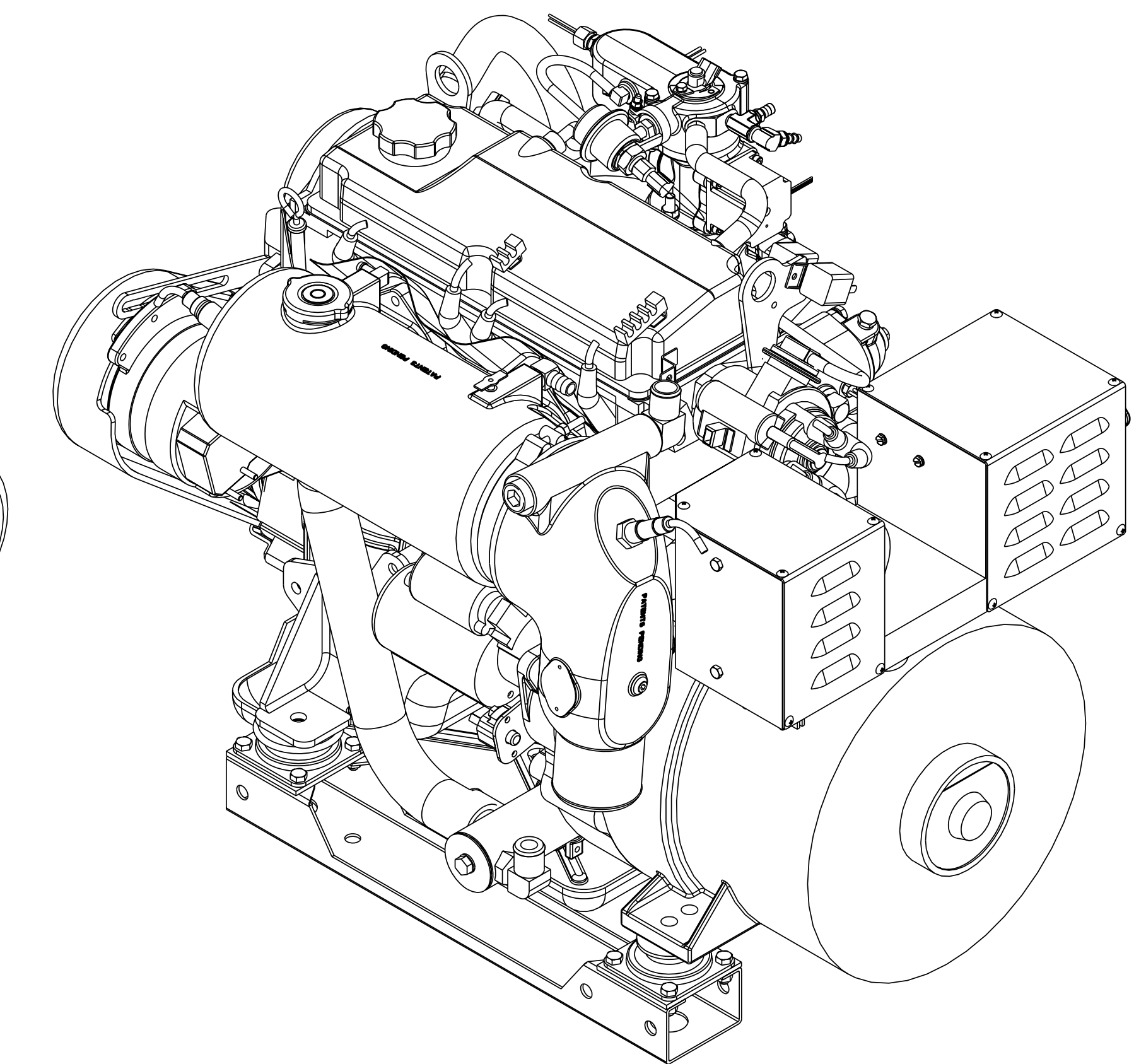
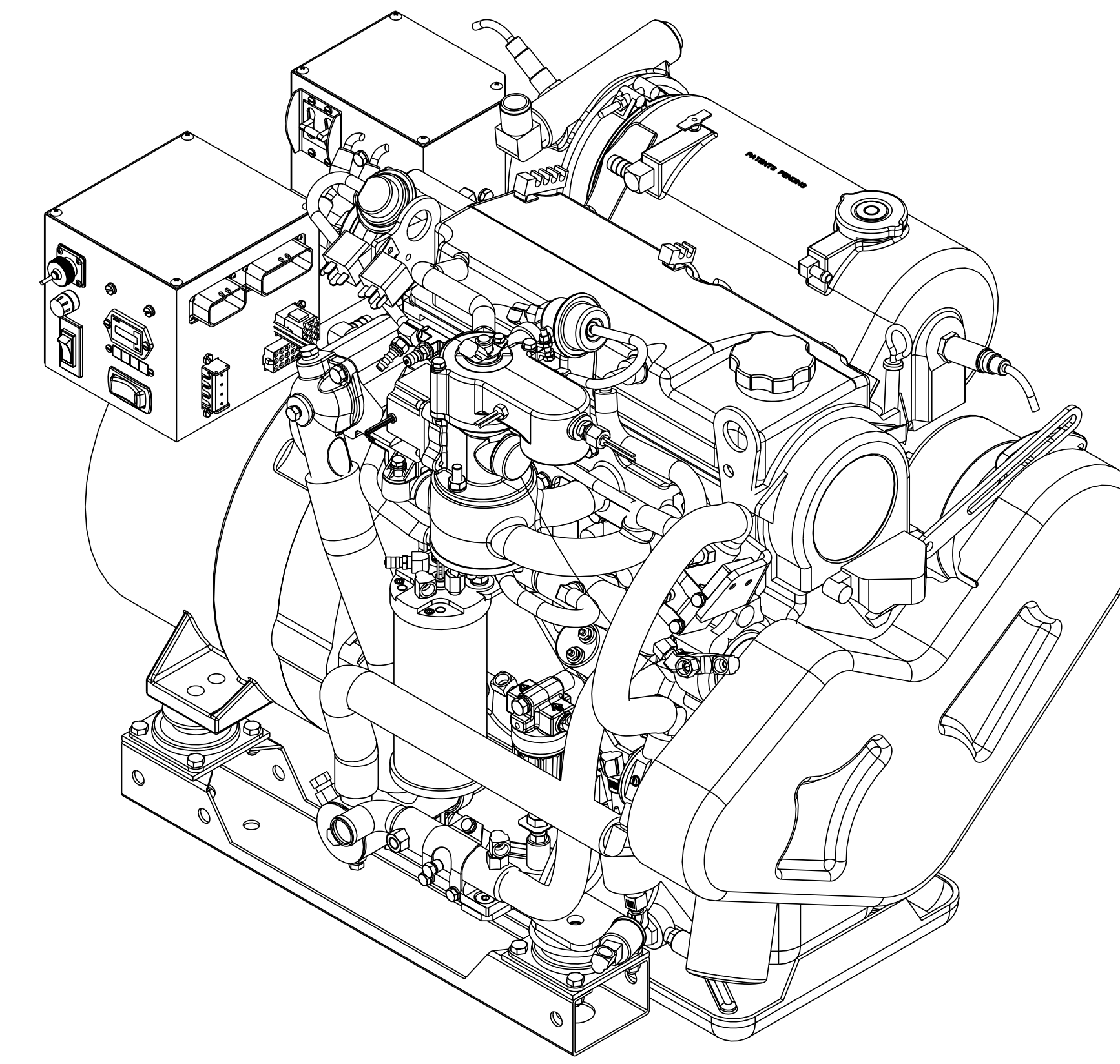
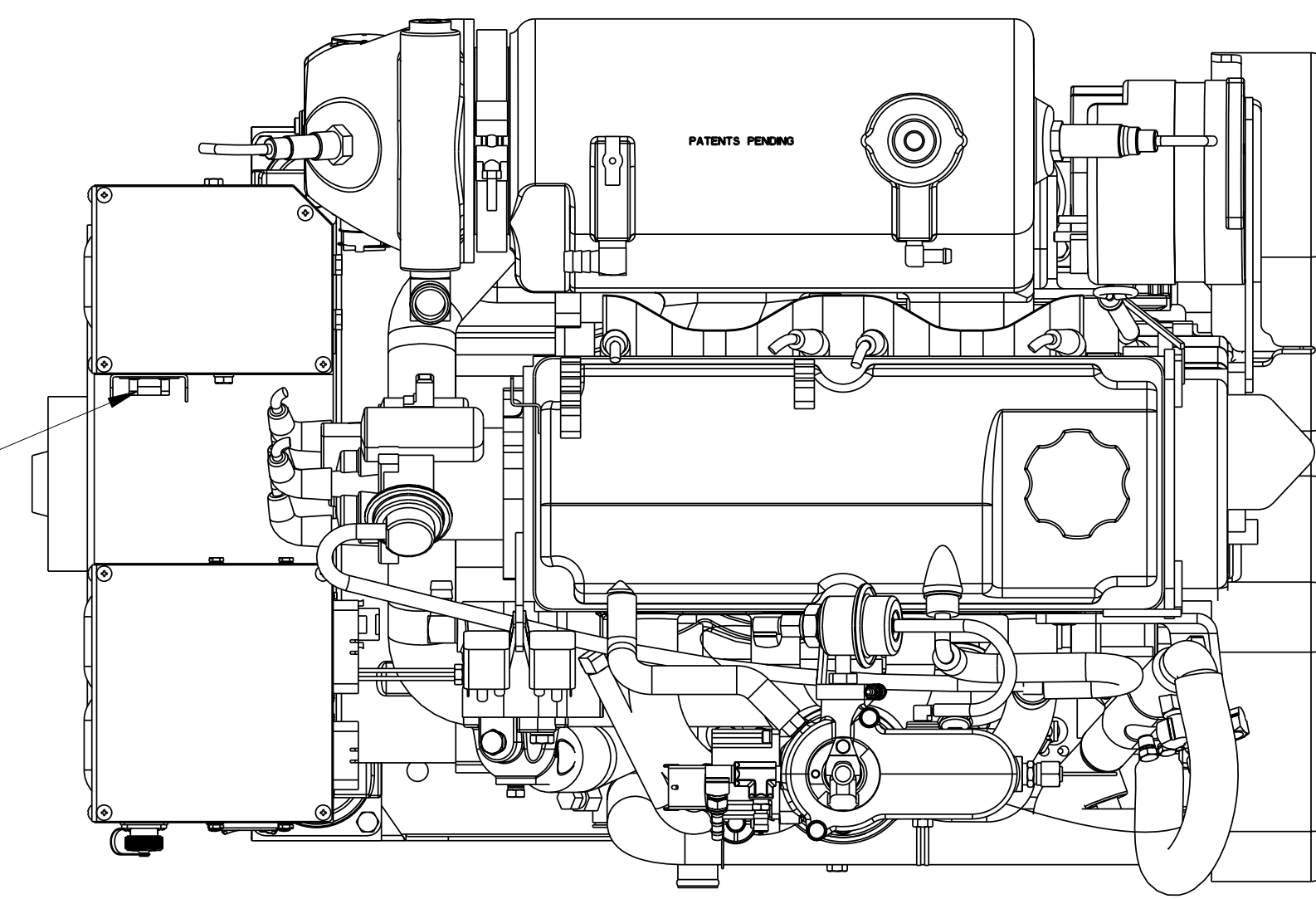
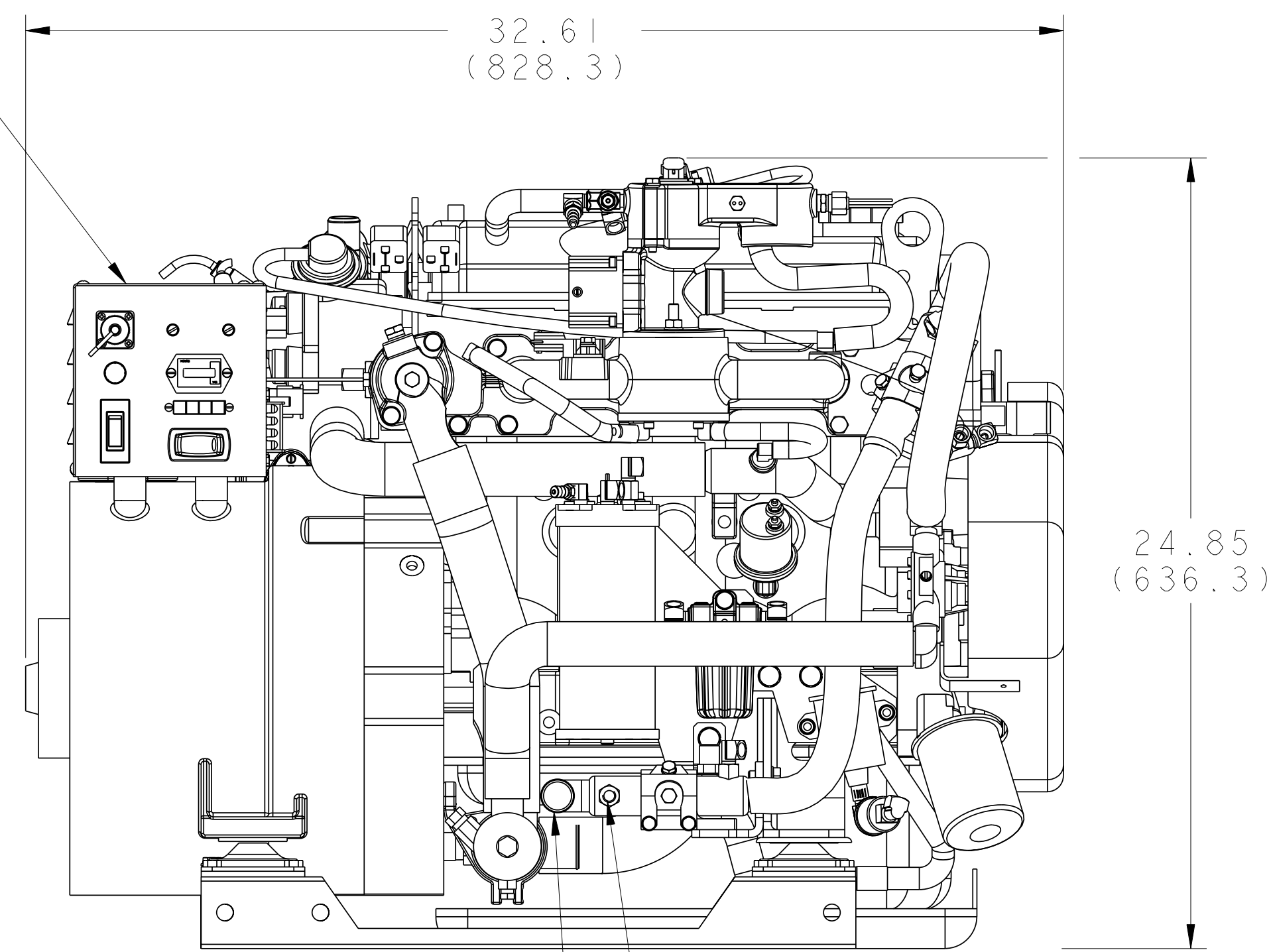
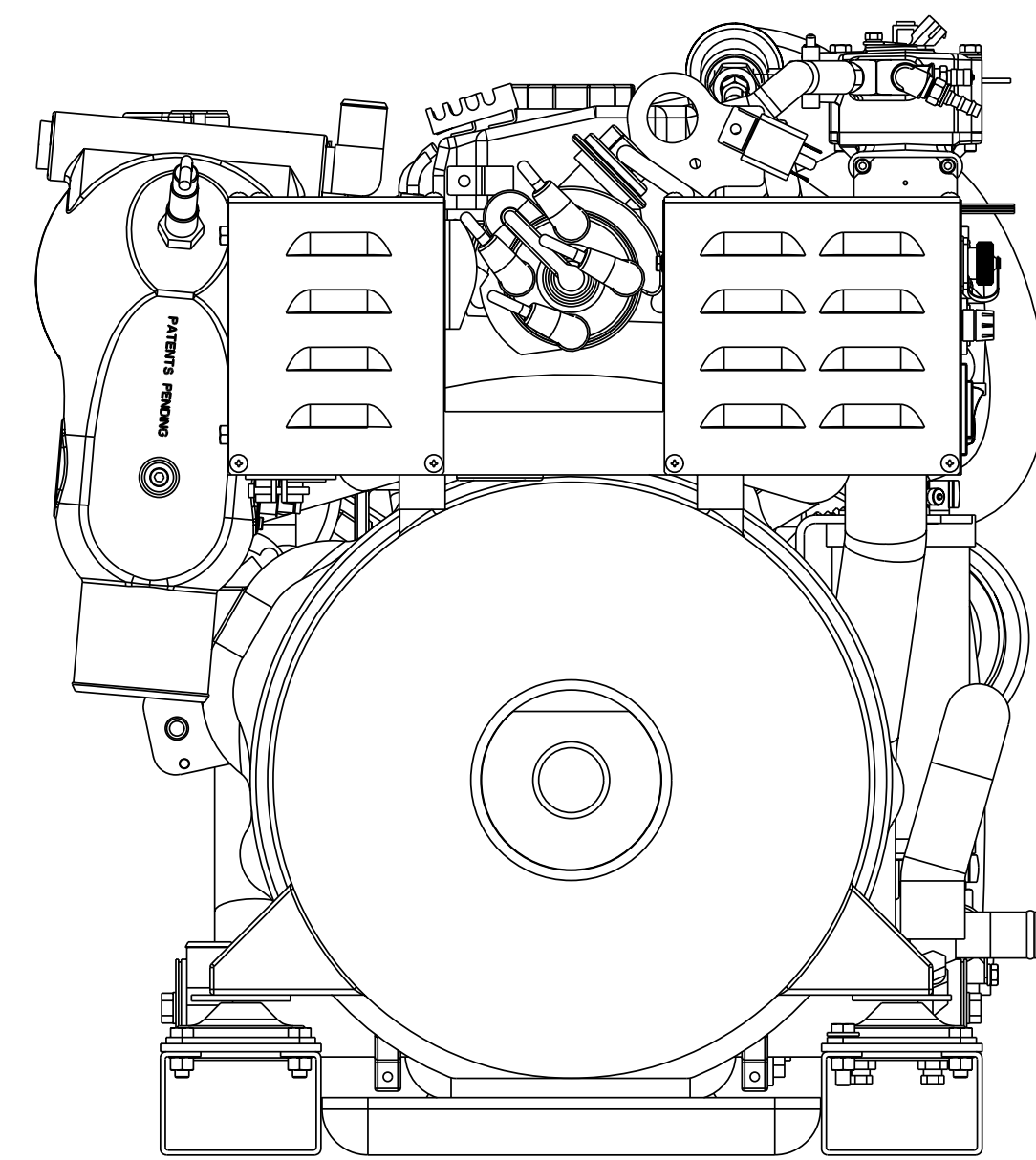


ECO NO.	DATE	REV.	REVISION RECORD	AUTH.	DR. BY
7-28	04	A	REVISED INTAKE AND THROTTLE BODY ASSEMBLY		WRM
6092	9-19	B	UPDATE INSTALLATION DRAWING WITH NEW FUEL CELL SYSTEM.		GA

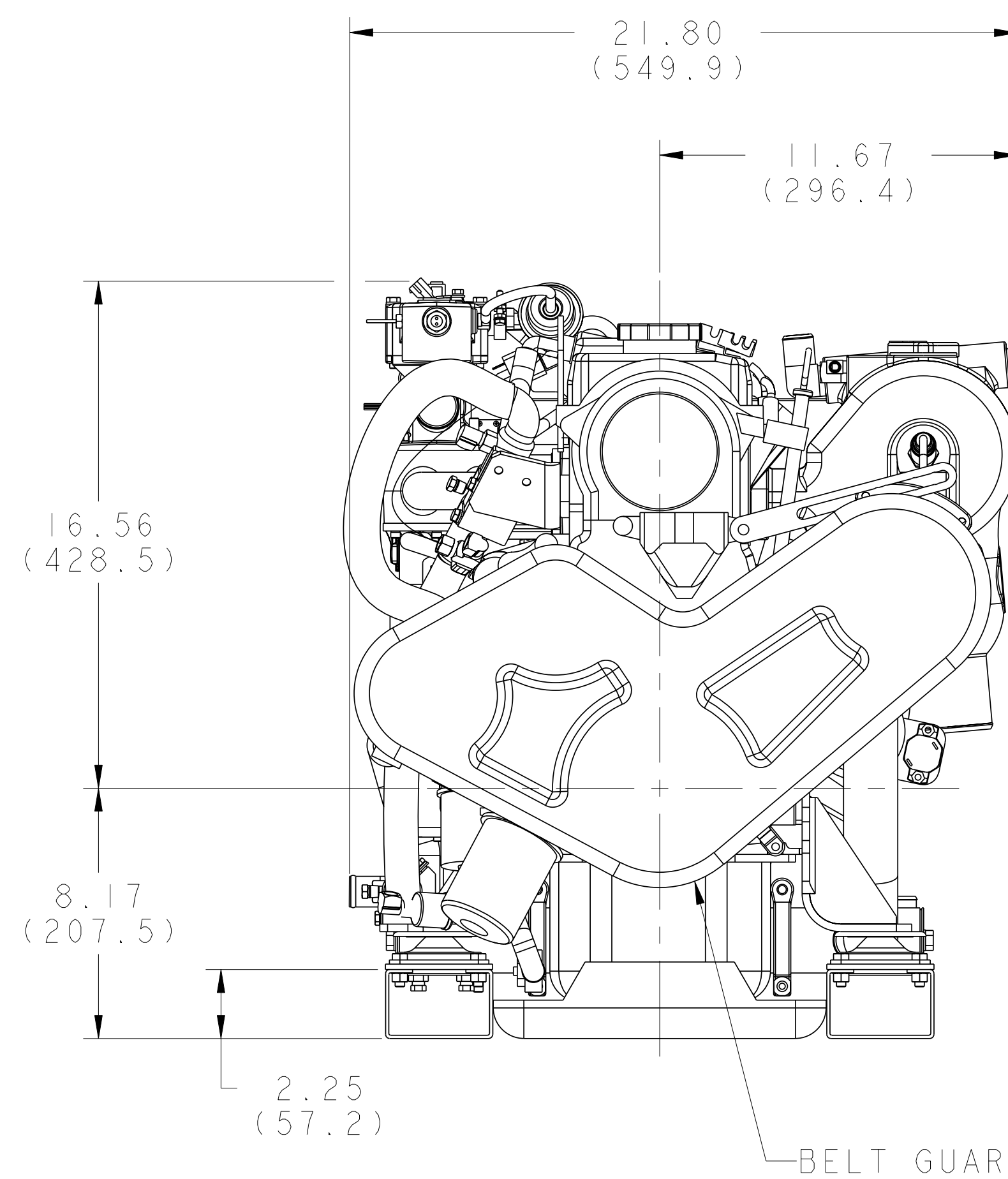
AC OUTPUT CIRCUIT BREAKER



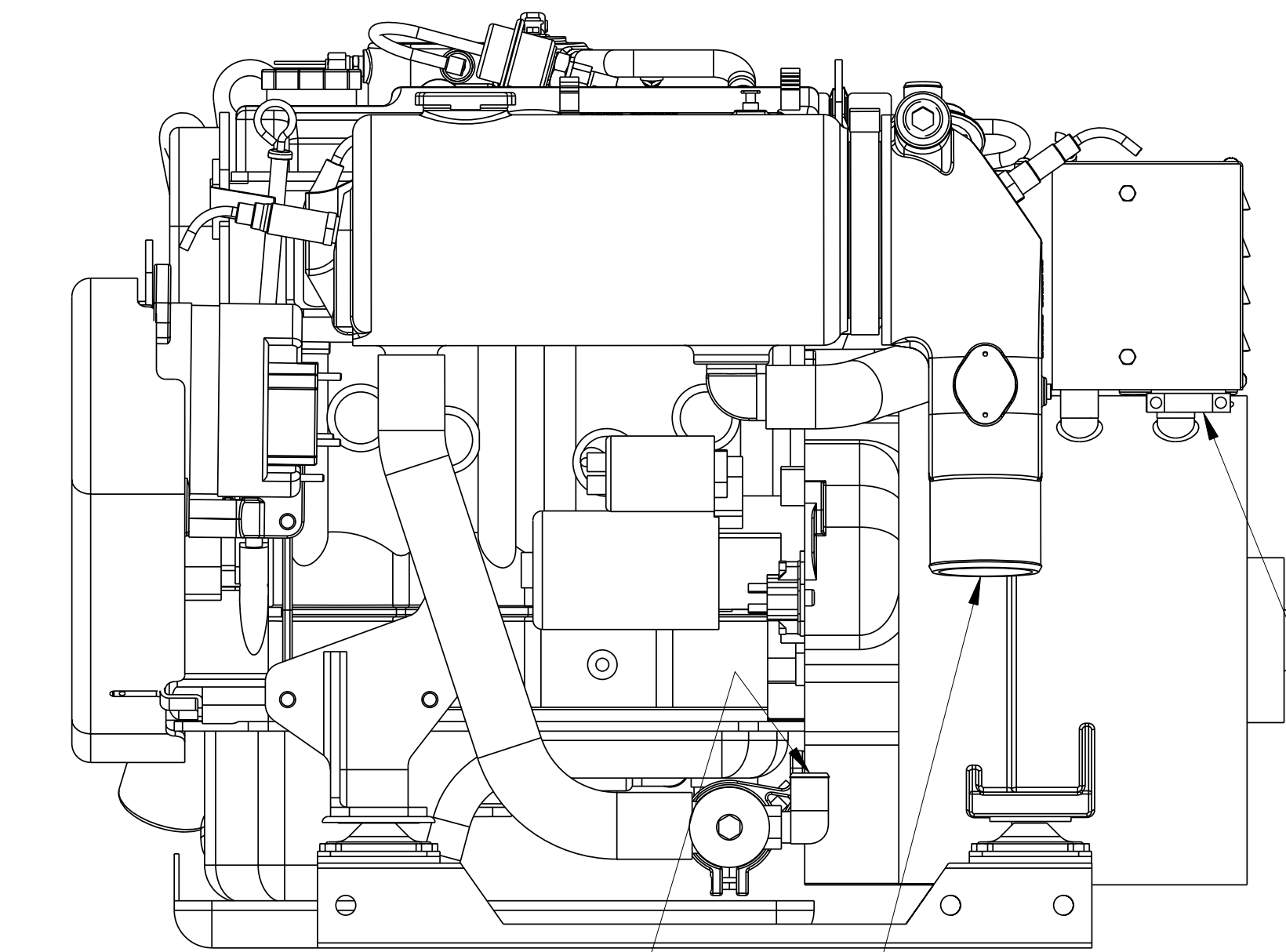
CONTROL PANEL



RAW WATER INLET - Ø1.00 I.D. HOSE
CUSTOMER FUEL CONNECTION - 1/8-27 NPT - FEMALE



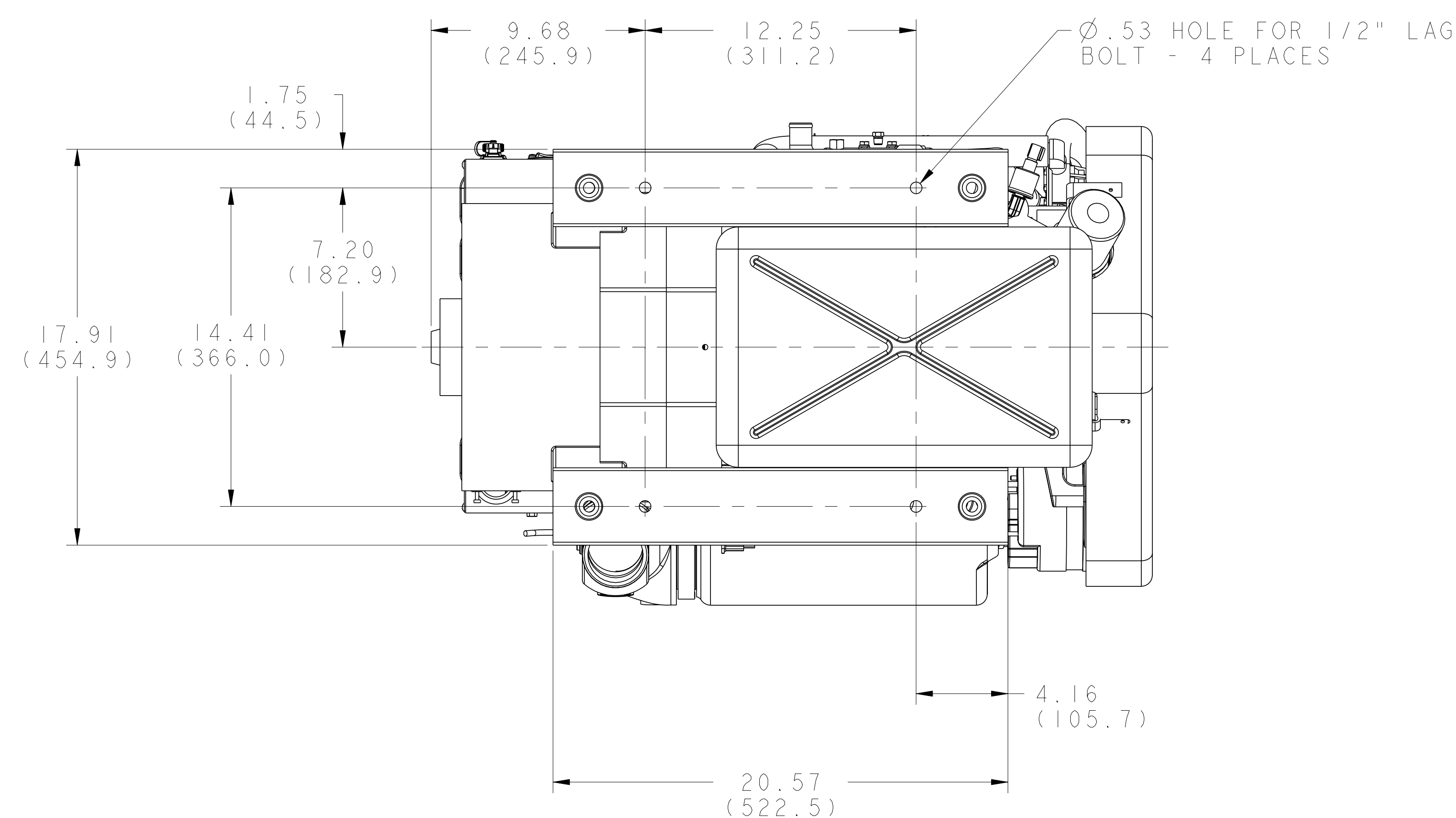
BELT GUARD



RAW WATER DISCHARGE - Ø1.00 I.D. HOSE

EXHAUST OUTLET - Ø3.00 I.D. HOSE

A.C. CONNECTION WIRING OUTLET



DIMENSIONS IN BRACKETS ARE IN MILLIMETERS

TOLERANCES (UNLESS OTHERWISE NOTED)		WESTERBEKE CORPORATION TAUNTON, MA. 02780	
INCHES	MILLIMETERS	TITLE	
.XX ± .02	.X ± .13	INSTALLATION DRAWING	
.XXX ± .005	.XX ± .13	8.0 KW, SBEG	
CAST ± .03			
ANGLES ± .2			
FINISH			
DIMENSIONS	INCHES	DATE	MATERIAL
INCHES	SCALE 0.250	04/Mar/104	
MILLIMETERS	SIZE	DRAWING NUMBER	REV.
(WHEN APPLICABLE)	SHT. 1 OF 1	E 49247	B