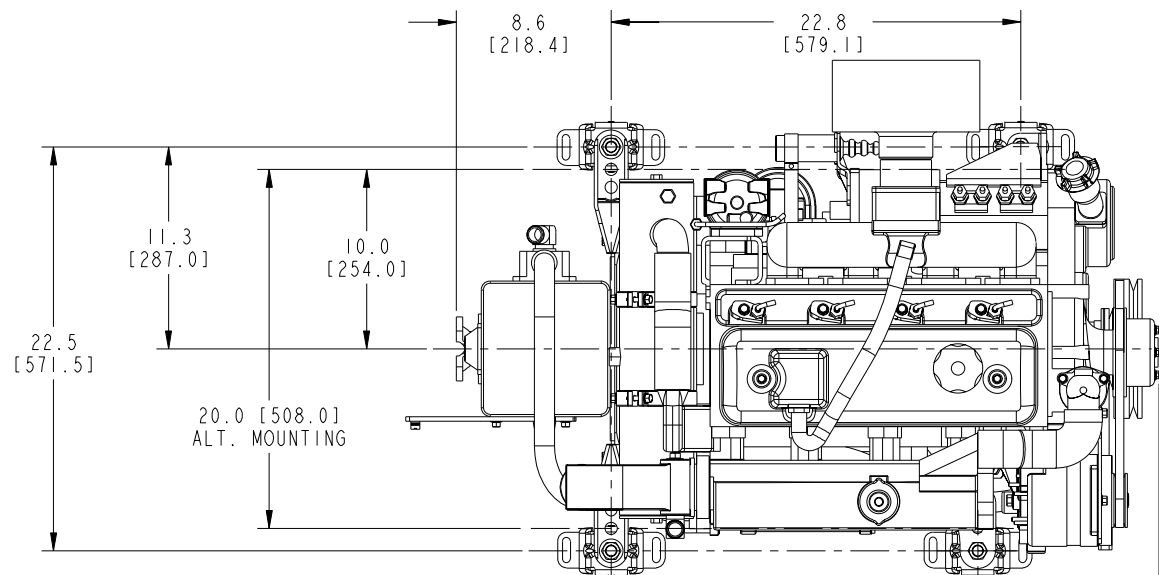
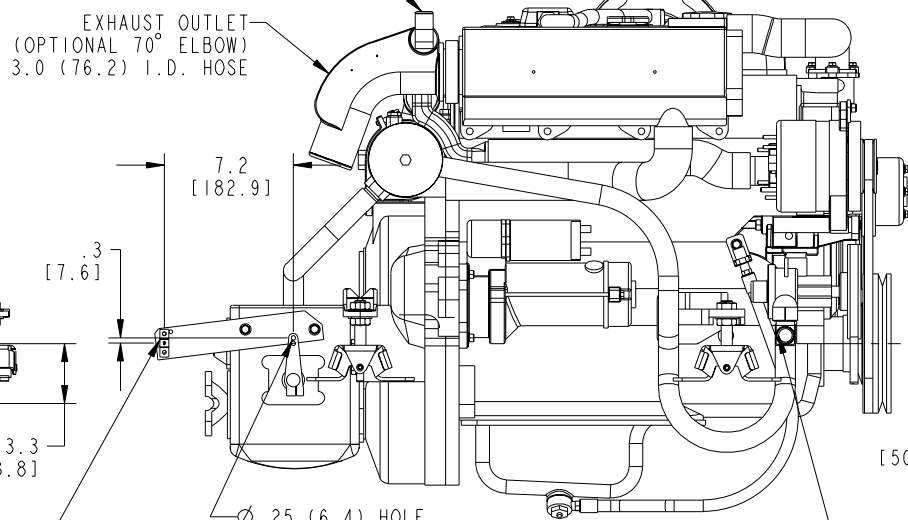


ECO NO.	DATE	REV.	REVISION RECORD	AUTH.	DR. BY
3900	11-17 1998	A	3" DIA EXHAUST ELBOW WAS 2" DIA		JM
3971	2-2 1999	B	ALT. MTG DIMENSION 18.5 WAS 18		JM
5386	10-21 02	C	UPDATE ASM TO REFLECT CURRENT BOM		BM
5617	10-9 03	D	CHANGE INTAKE SILENCER FROM 42146 TO 48804		GA
5729	5-4 04	E	REMOVE ALT. MOUNTING DIM 18.5		GA



WATER INJECTION FITTING LOCATED ON EITHER SIDE 1.0 (25.4) I.D. HOSE



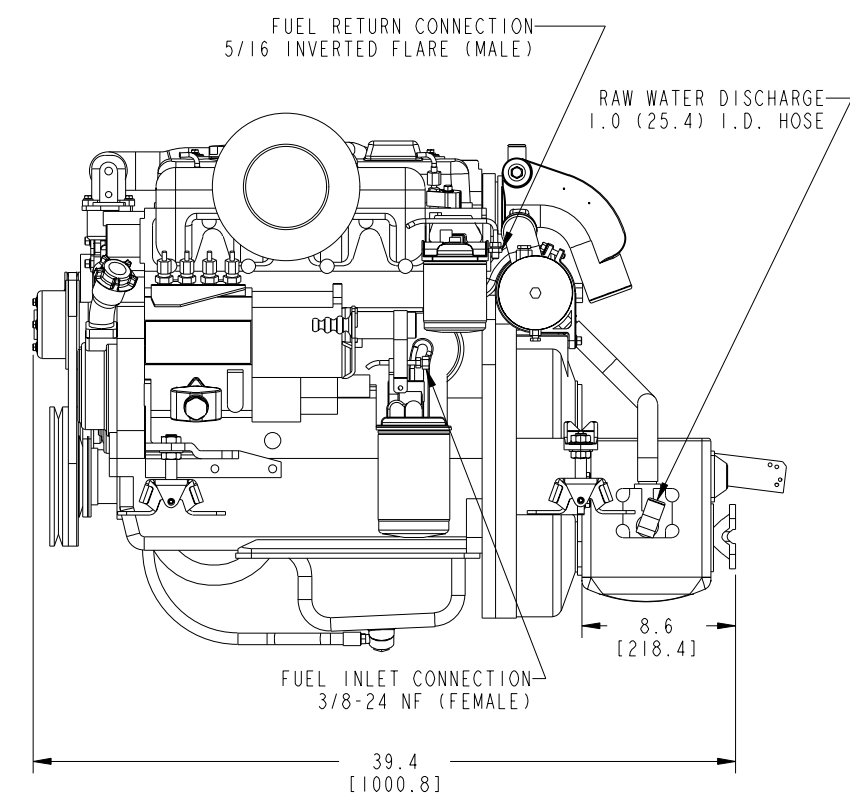
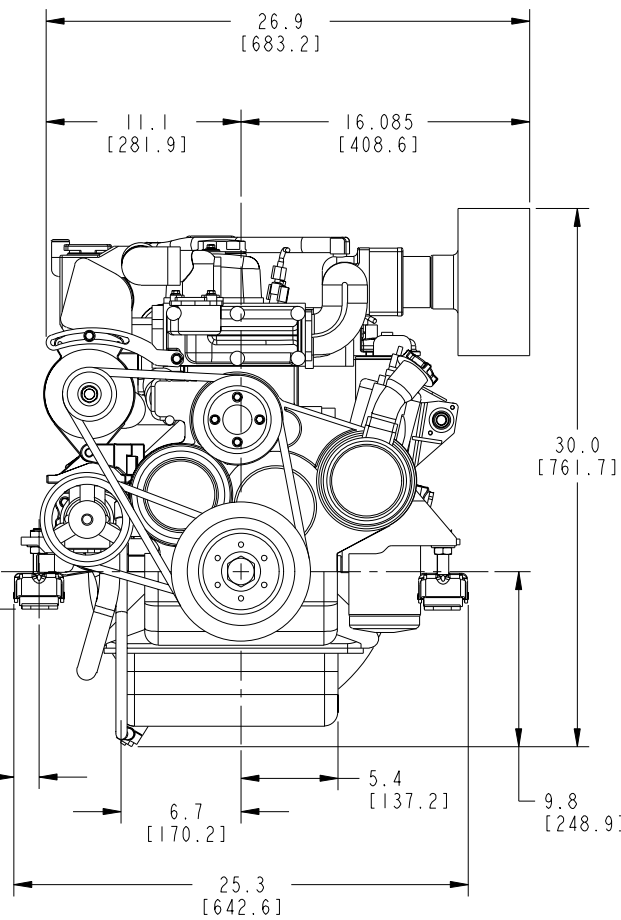
EXHAUST OUTLET (OPTIONAL 70° ELBOW) 3.0 (76.2) I.D. HOSE

RAW WATER INLET 1.0 (25.4) I.D. HOSE

Ø.25 (6.4) HOLE

Ø.31 (7.87) THRU CLAMP

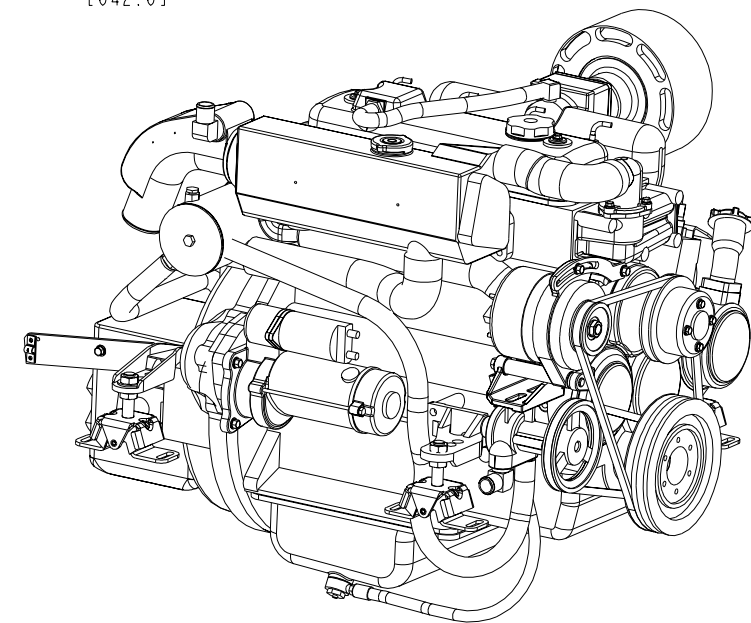
Ø.41 (10.5) THRU (4) HOLES EQUALLY SPACED ON A 3.25 (82.5) Ø B.C.



FUEL RETURN CONNECTION 5/16 INVERTED FLARE (MALE)

RAW WATER DISCHARGE 1.0 (25.4) I.D. HOSE

FUEL INLET CONNECTION 3/8-24 NF (FEMALE)



TOLERANCES (UNLESS OTHERWISE NOTED)		WESTERBEKE CORPORATION TAUNTON, MA. 02780	
INCHES	MILLIMETERS	TITLE	
.XX	.02	INSTALLATION DRAWING	
.XXX	.005	90A FOUR WITH HBW250 TRANSMISSION	
CAST	.03	DRAWN BY	DATE
ANGLES	5°	JM	2-24-98
FINISH	Ⓢ	APPROVED BY	MATERIAL:
DIMENSIONS		SCALE 0.187	SIZE
INCHES		SHT. 1 OF 1	D
MILLIMETERS		DRAWING NUMBER	43319
(WHEN APPLICABLE)		REV.	E