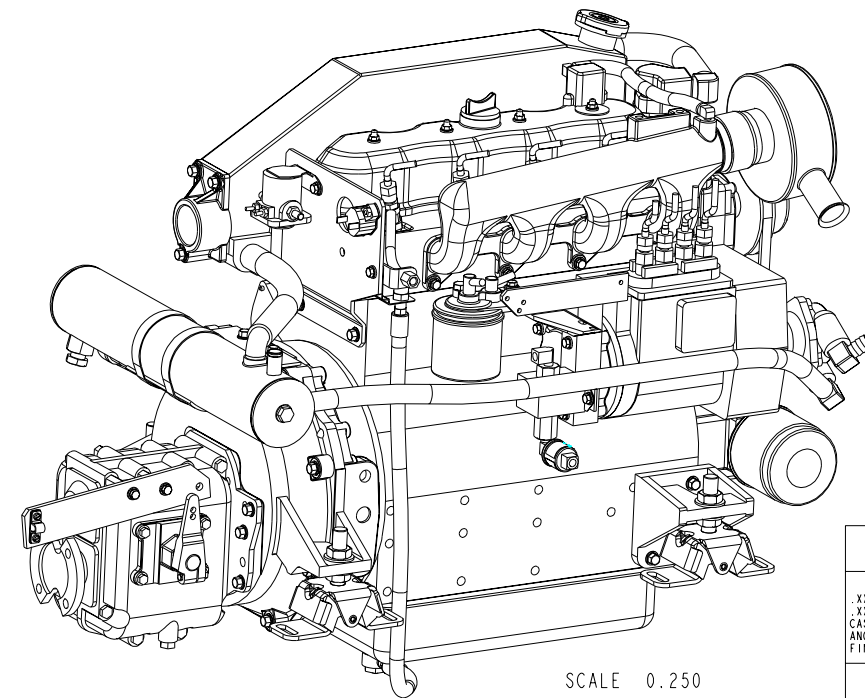
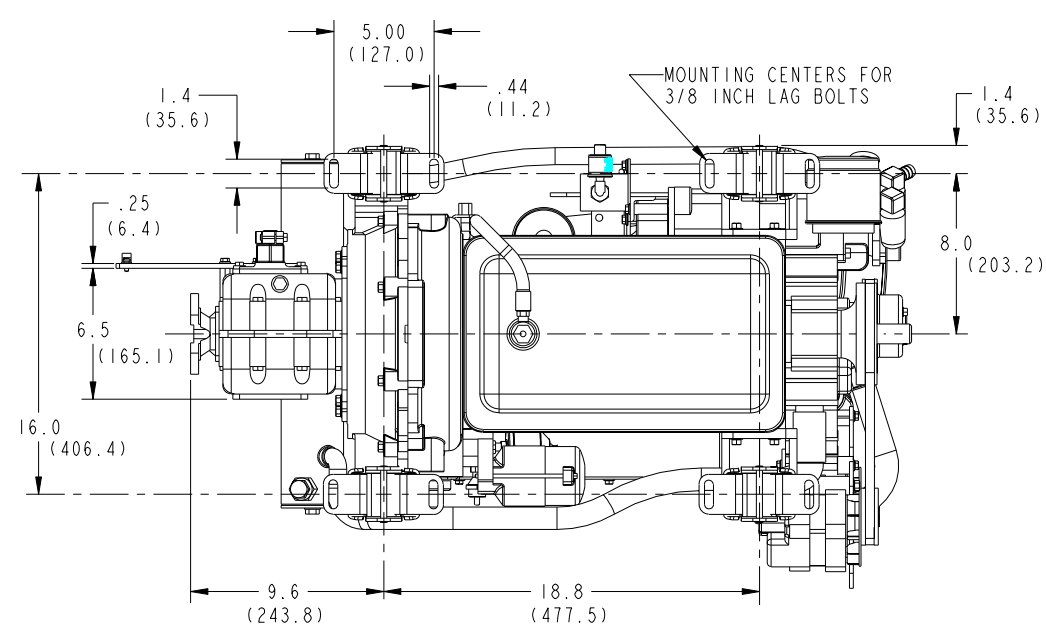
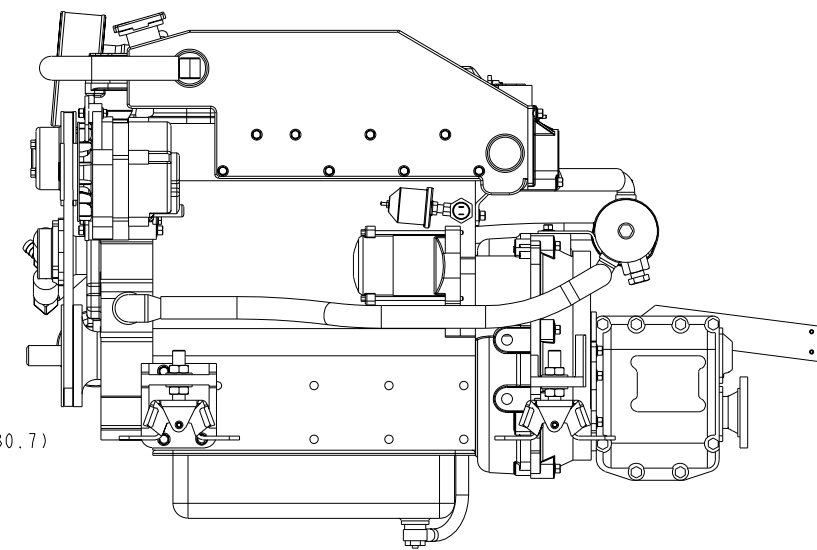
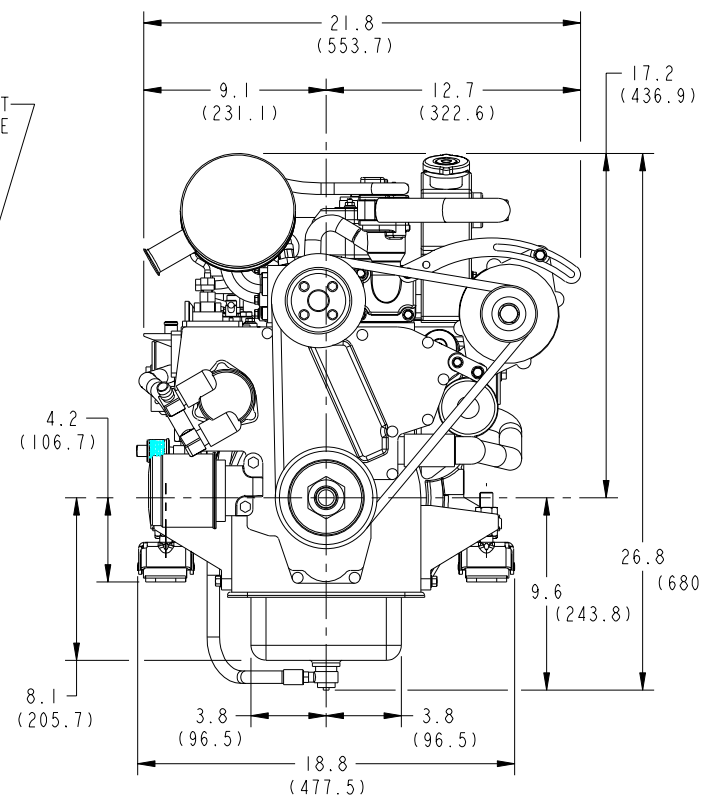
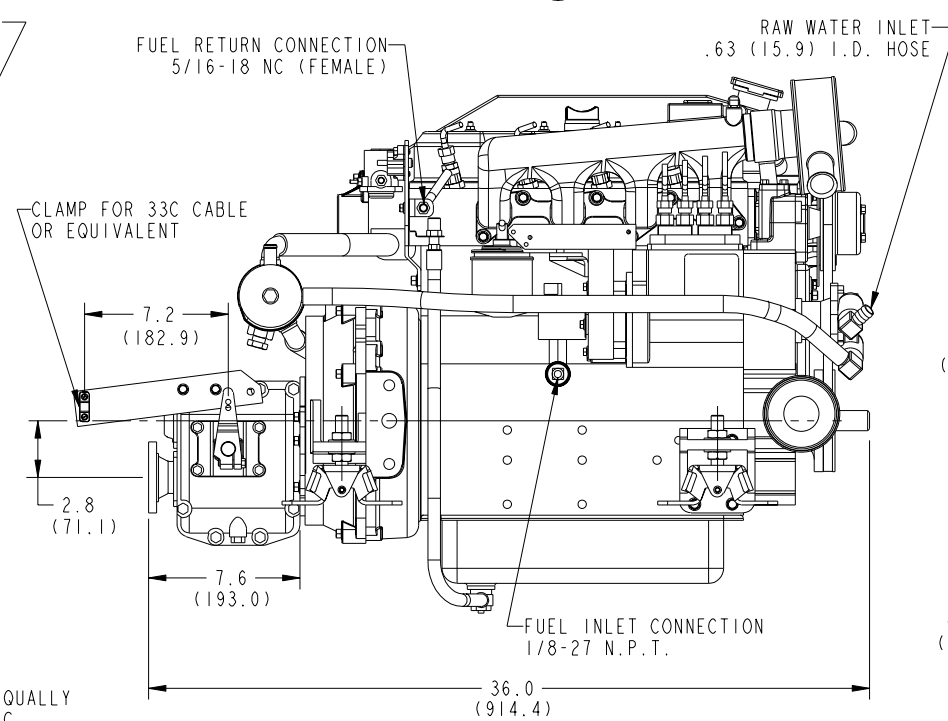
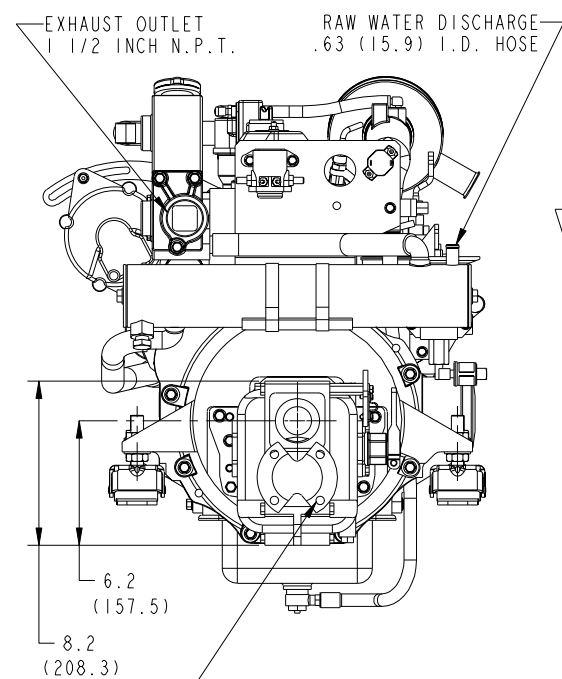
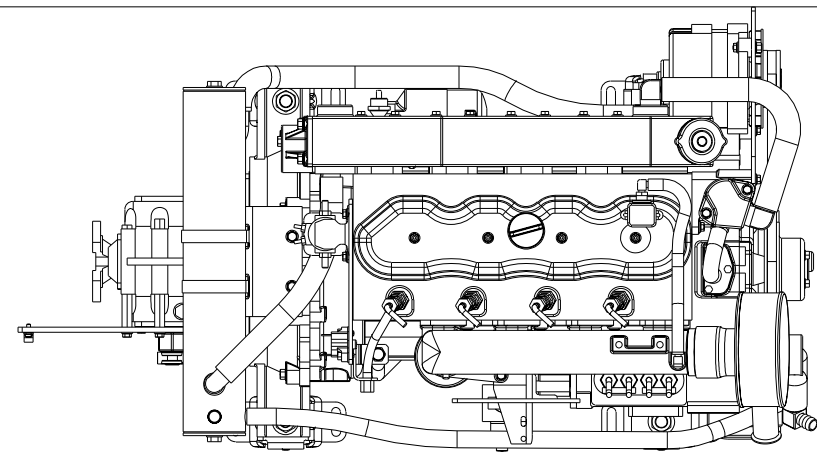


ECO NO.	DATE	REV.	REVISION RECORD	AUTH.	DR. BY
5427	12-12-92	A	ADDED PART #48076 TO ASSEMBLY		BM



SCALE 0.250

TOLERANCES (UNLESS OTHERWISE NOTED)		WESTERBEKE CORPORATION TAUNTON, MA. 02780	
INCHES	MILLIMETERS	TITLE	
.XX	.X ± 1.0	INSTALLATION DRAWING	
.XXX	.X ± .5	M-50B WITH HBW150 TRANSMISSION	
CAST	.XX ± .13	DRAWN BY	DATE
ANGLES	.5°	JM	1-11-99
FINISH		APPROVED BY	DATE
DIMENSIONS		SIZE	DRAWING NUMBER
INCHES		SCALE 0.218	D
MILLIMETERS		SIZE	200527
(WHEN APPLICABLE)		SHT. 1 OF 1	REV. A