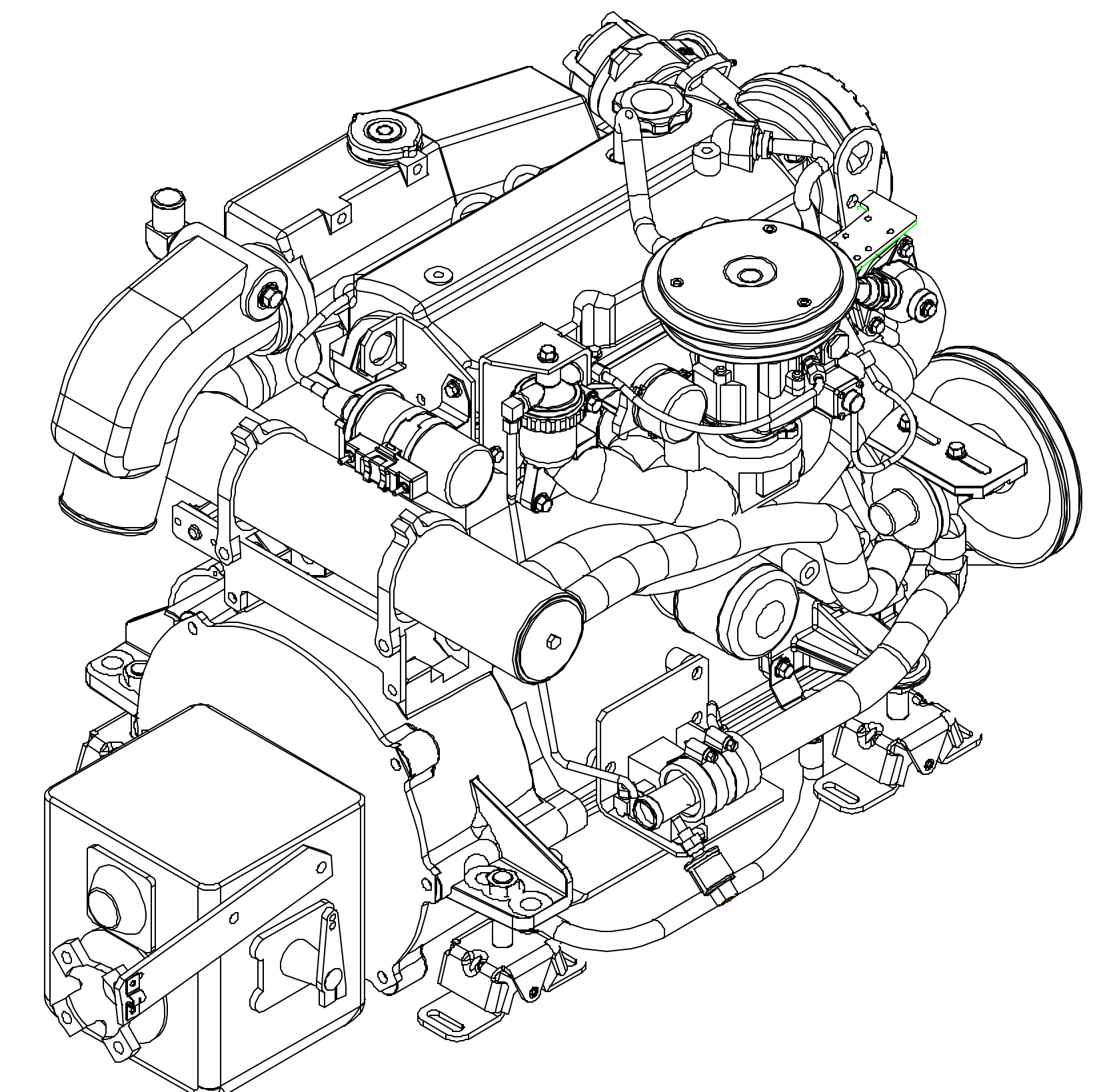
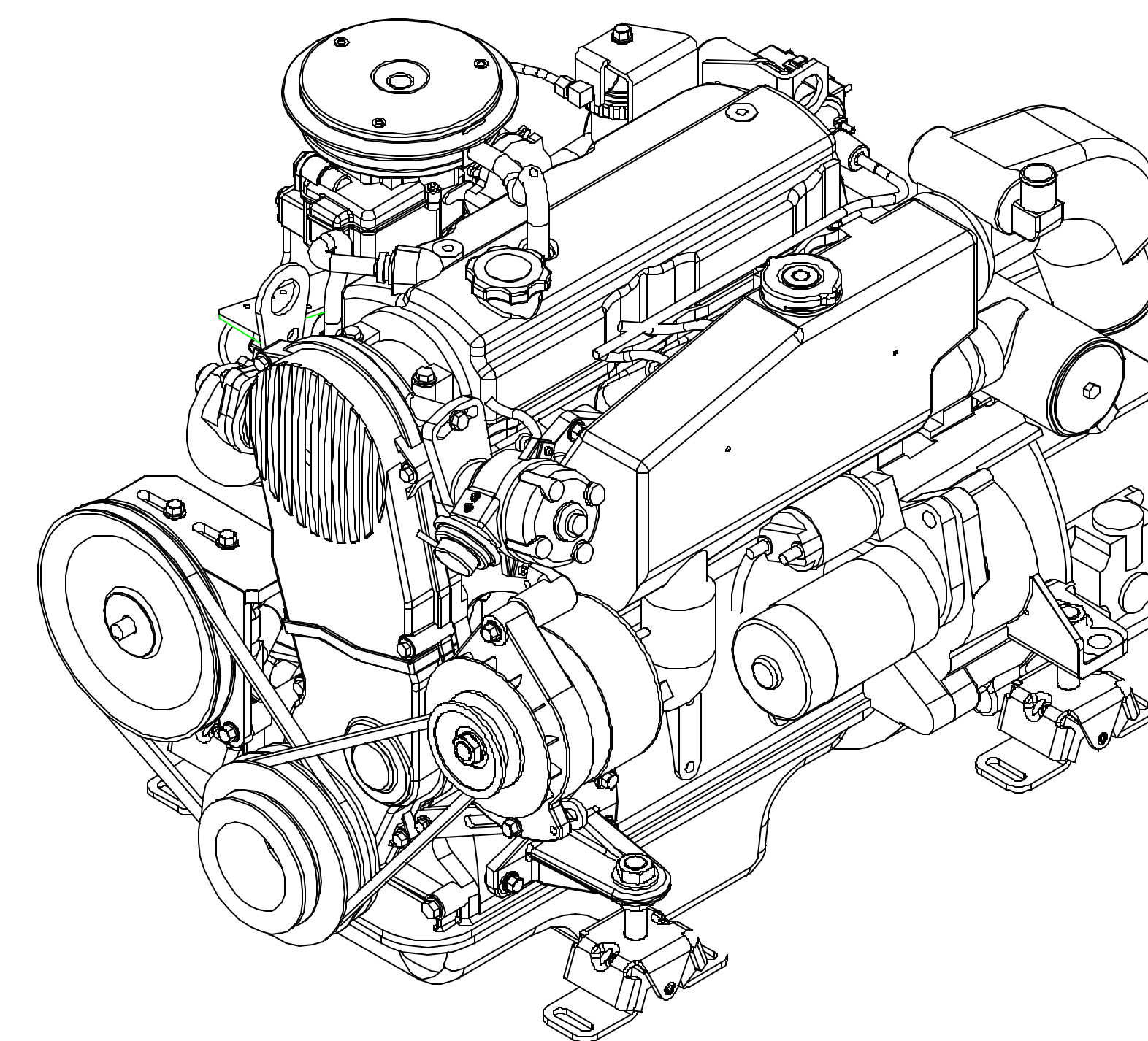
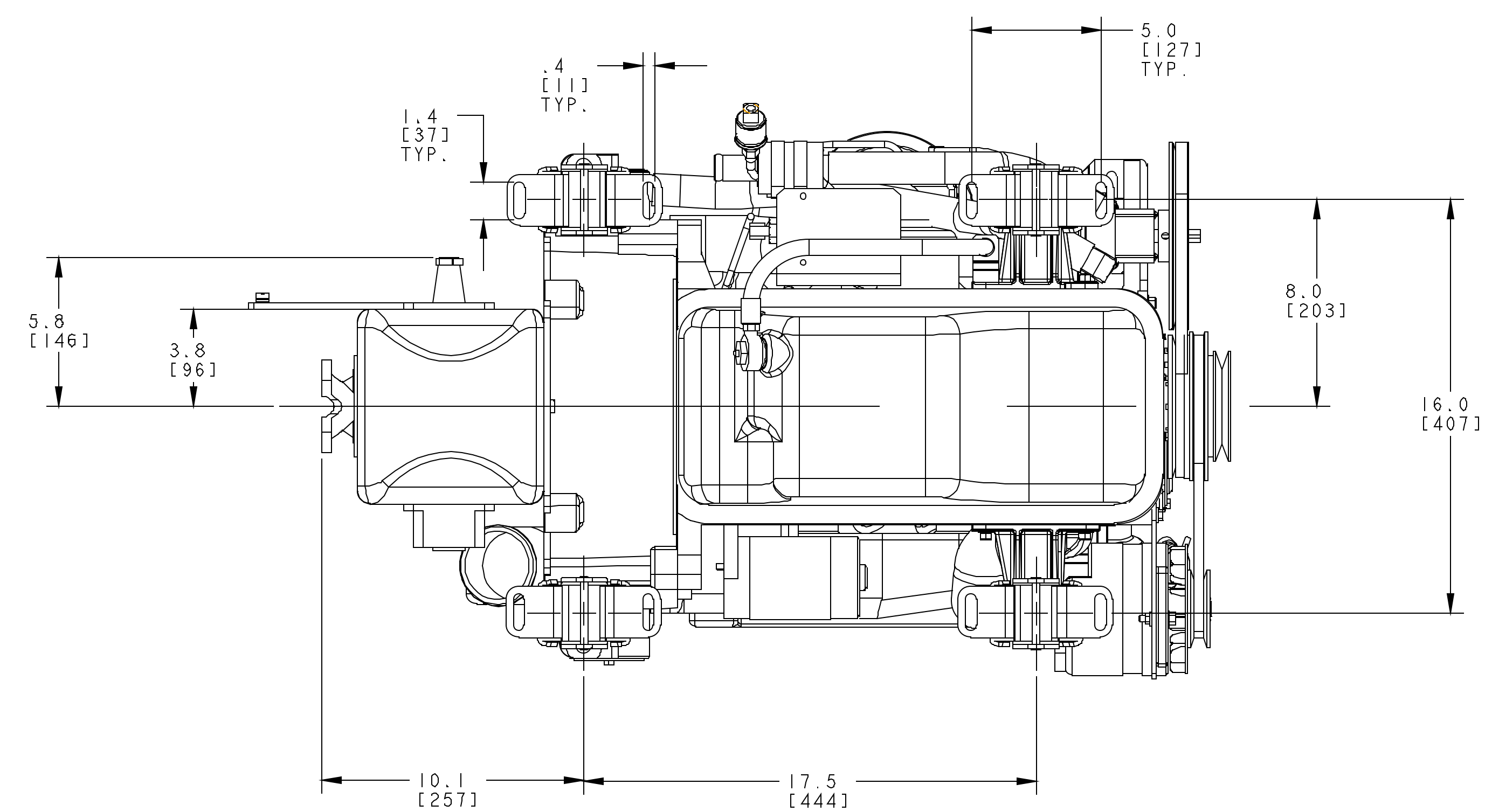
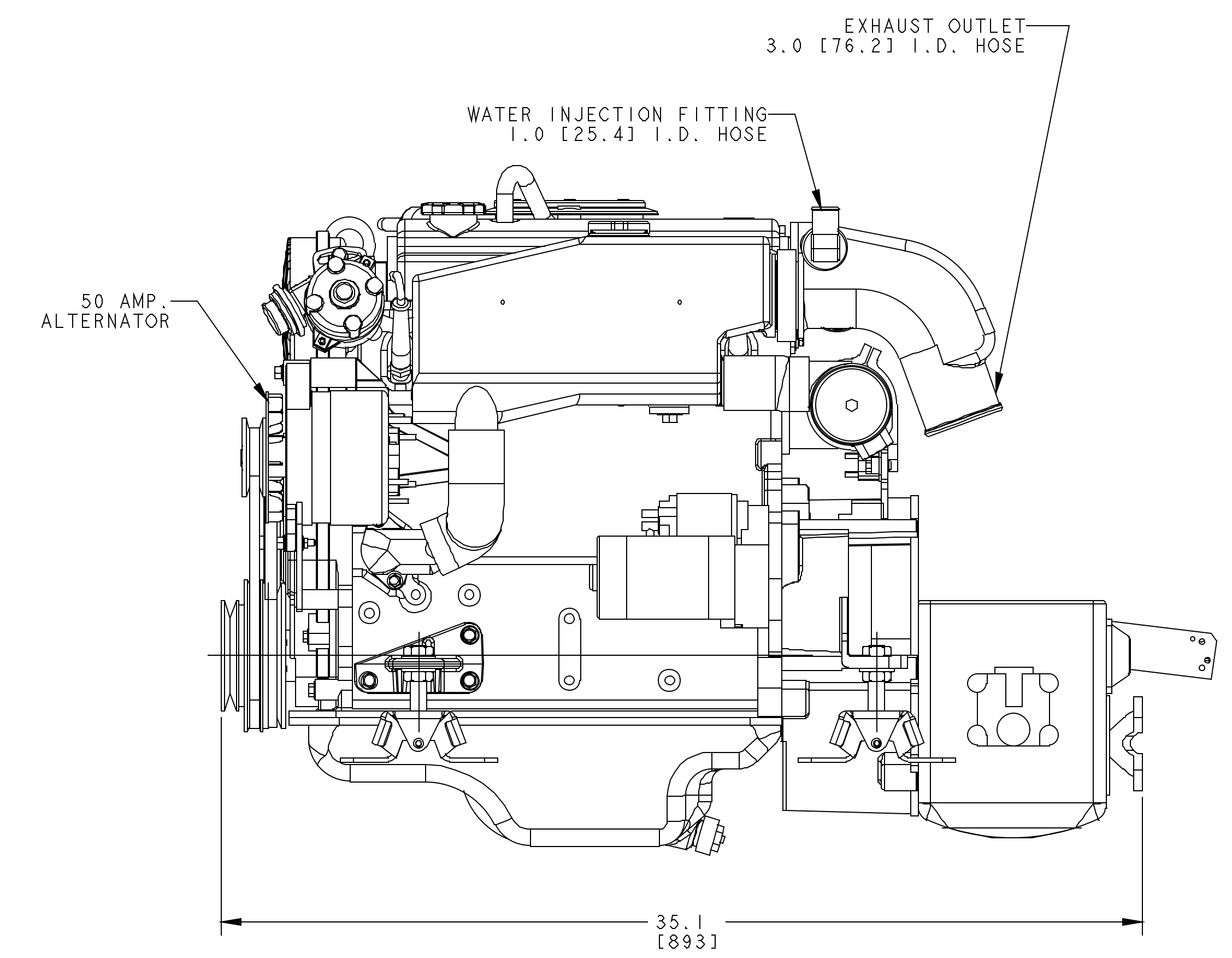
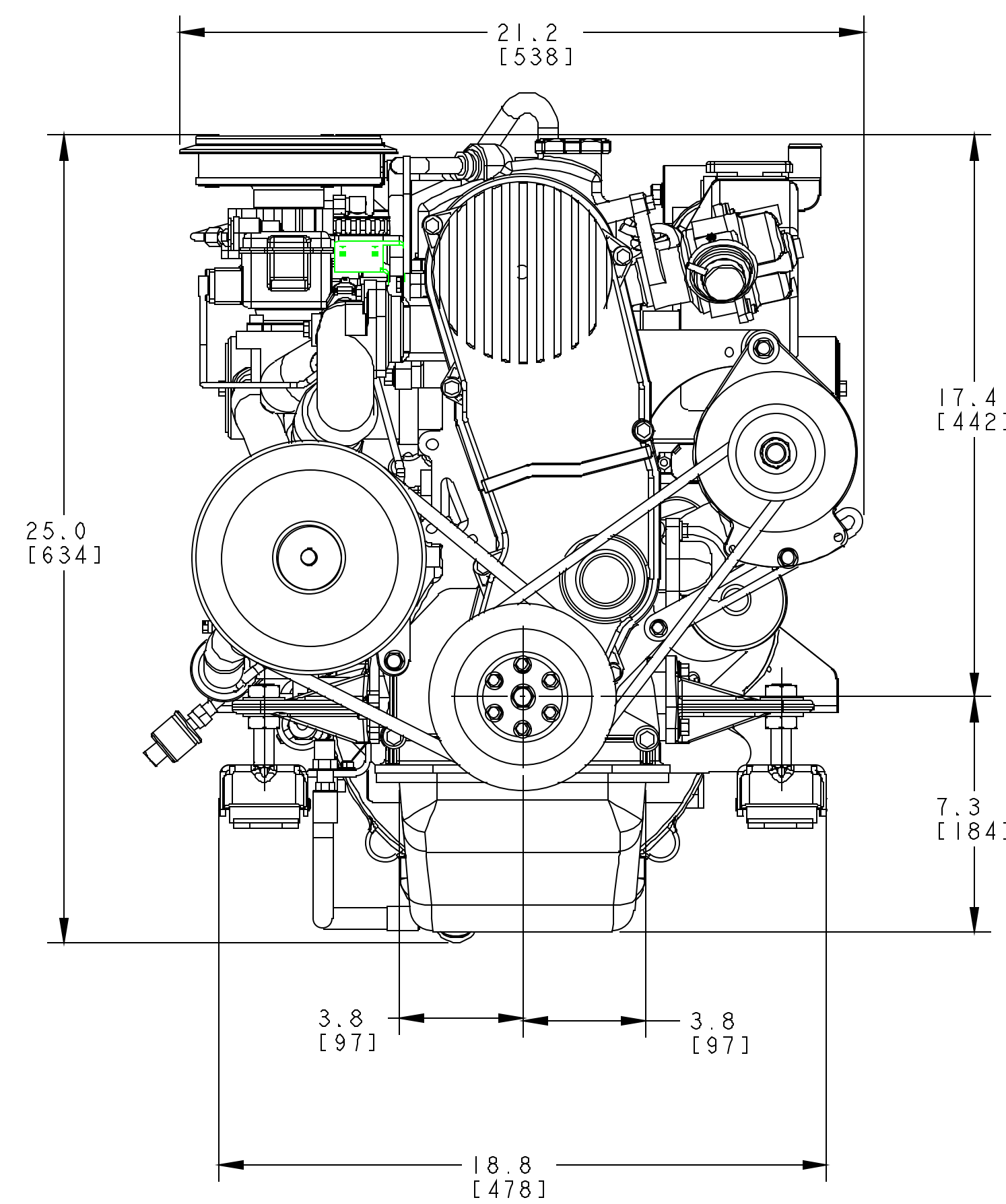
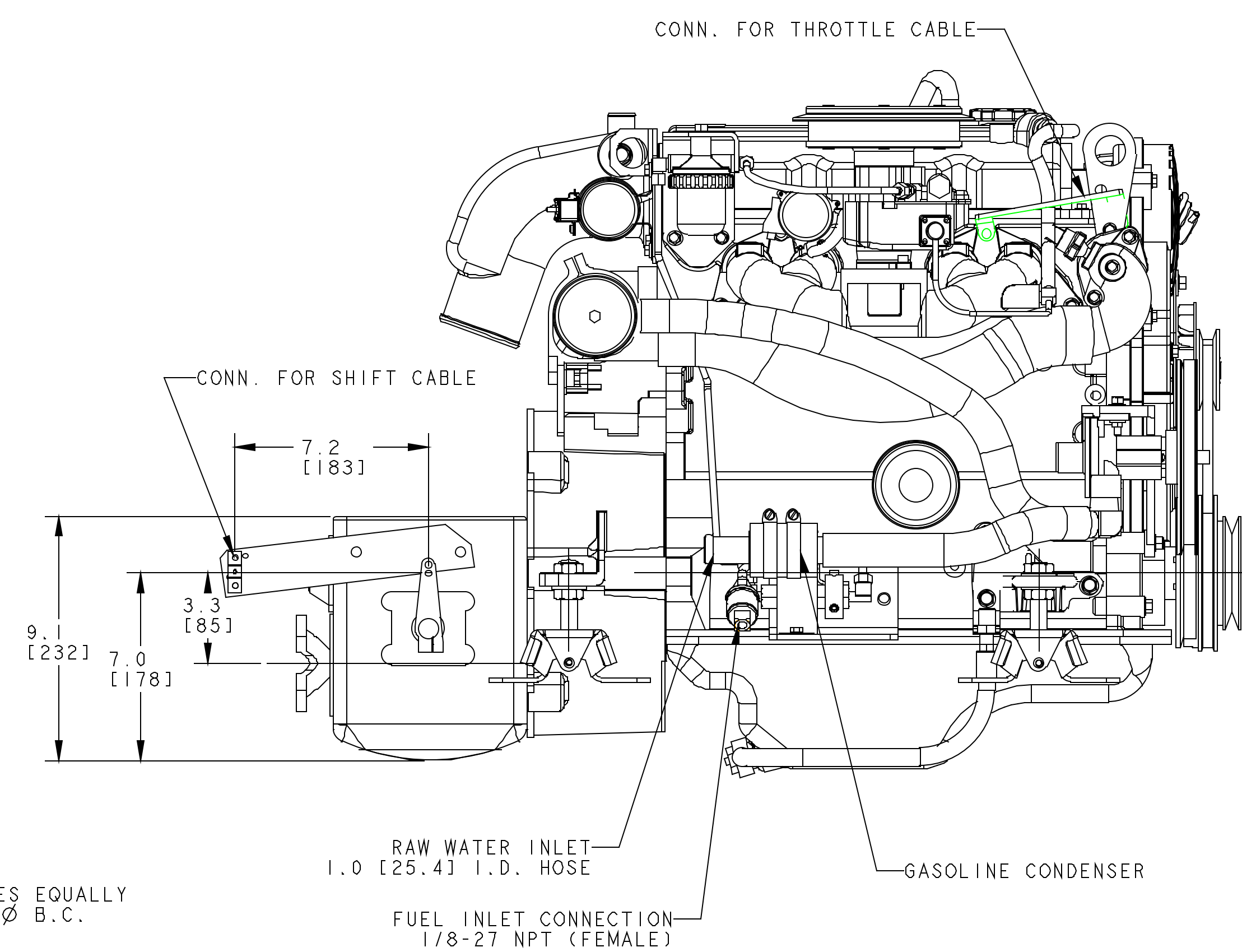
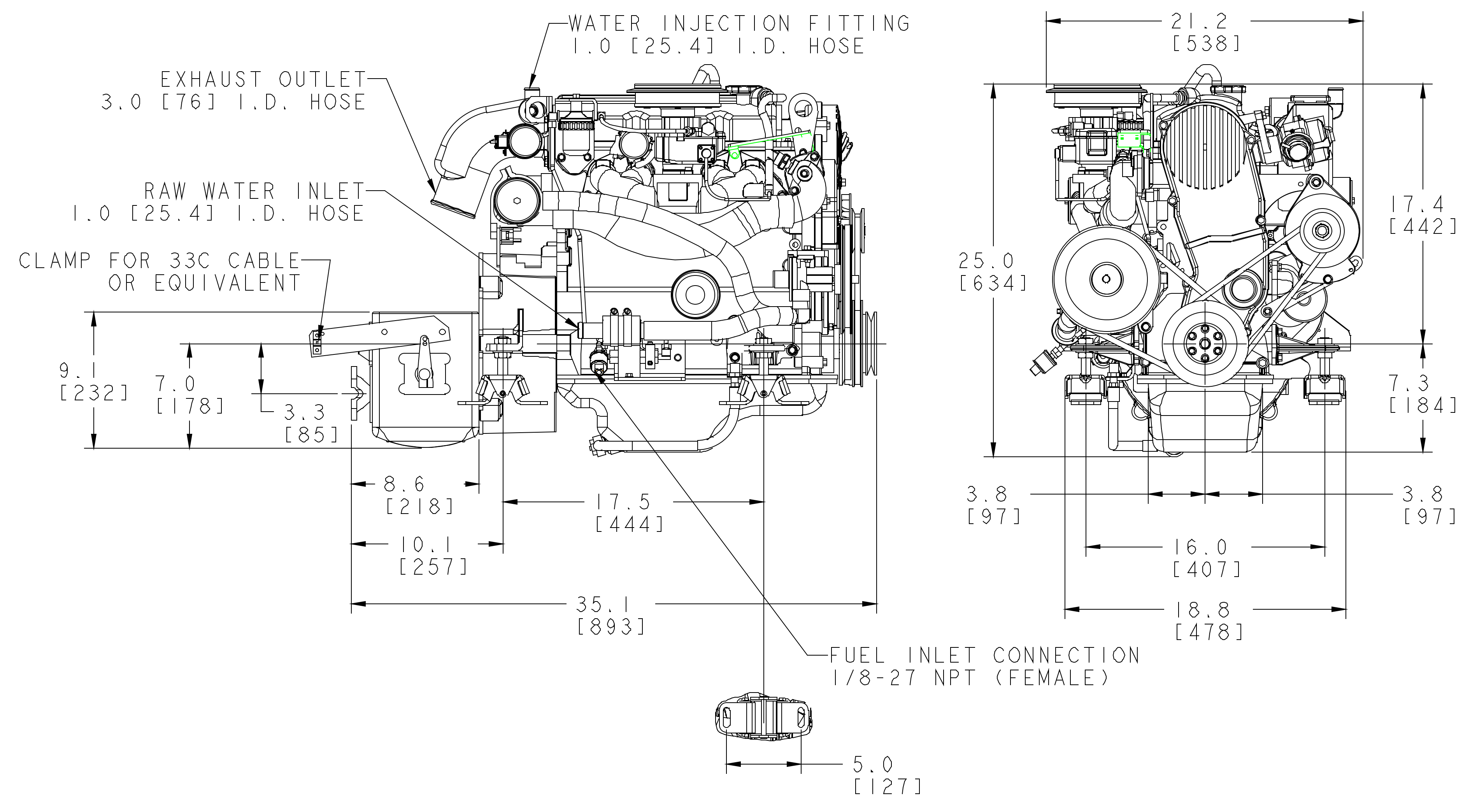


Ø .41 [10.5] THRU - 4 HOLES EQUALLY SPACED ON A 3.25" [82.5] Ø B.C.



TOLERANCES (UNLESS OTHERWISE NOTED):		WESTERBEKE CORPORATION TAUNTON, MA. 02780			
INCHES	MILLIMETERS	TITLE			
XX : .02	X : ± .13	INSTALLATION DRAWING			
XX : .005	X : ± .5	W70GA			
CAST : .03	.XX : ± .13	DRAWN BY	DATE	MATERIAL	
FINISH : 2			09/Jul/02		
DIMENSIONS		APPROVED BY	DATE	SCALE	SIZE
INCHES	MILLIMETERS			SCALE 0 250	DRAWING NUMBER
(WHEN APPLICABLE)	(WHEN APPLICABLE)			SHT. 1 of 2	E 48240



TOLERANCES (UNLESS OTHERWISE NOTED)		WESTERBEKE CORPORATION TAUNTON, MA. 02780	
INCHES	MILLIMETERS	TITLE	
XX : .02	X : ± .13	INSTALLATION DRAWING	
XXX : .005	.X : ± .13	WTOGA	
CAS : .03	.XX : ± .13		
ANGLES : 2			
FINISH : 2			
DIMENSIONS		DRAWN BY	DATE
INCHES	DATE	GA	01/Jul/03
← MILLIMETERS →	APPROVED BY	DATE	
(WHEN APPLICABLE)	SCALE 0 200	SIZE	DRAWING NUMBER
	SHT. 2 OF 2	E	48240
			REV.
			-