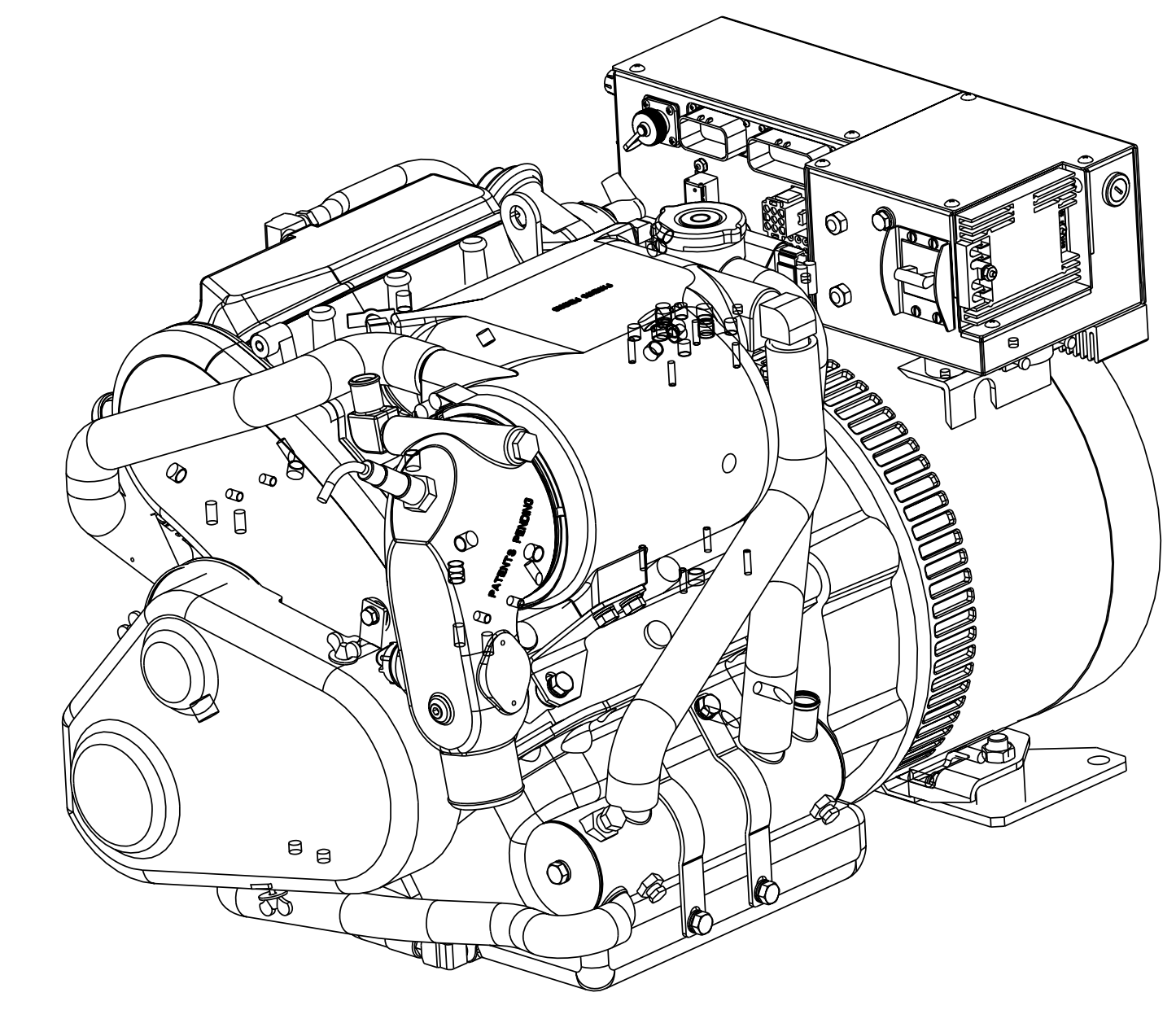
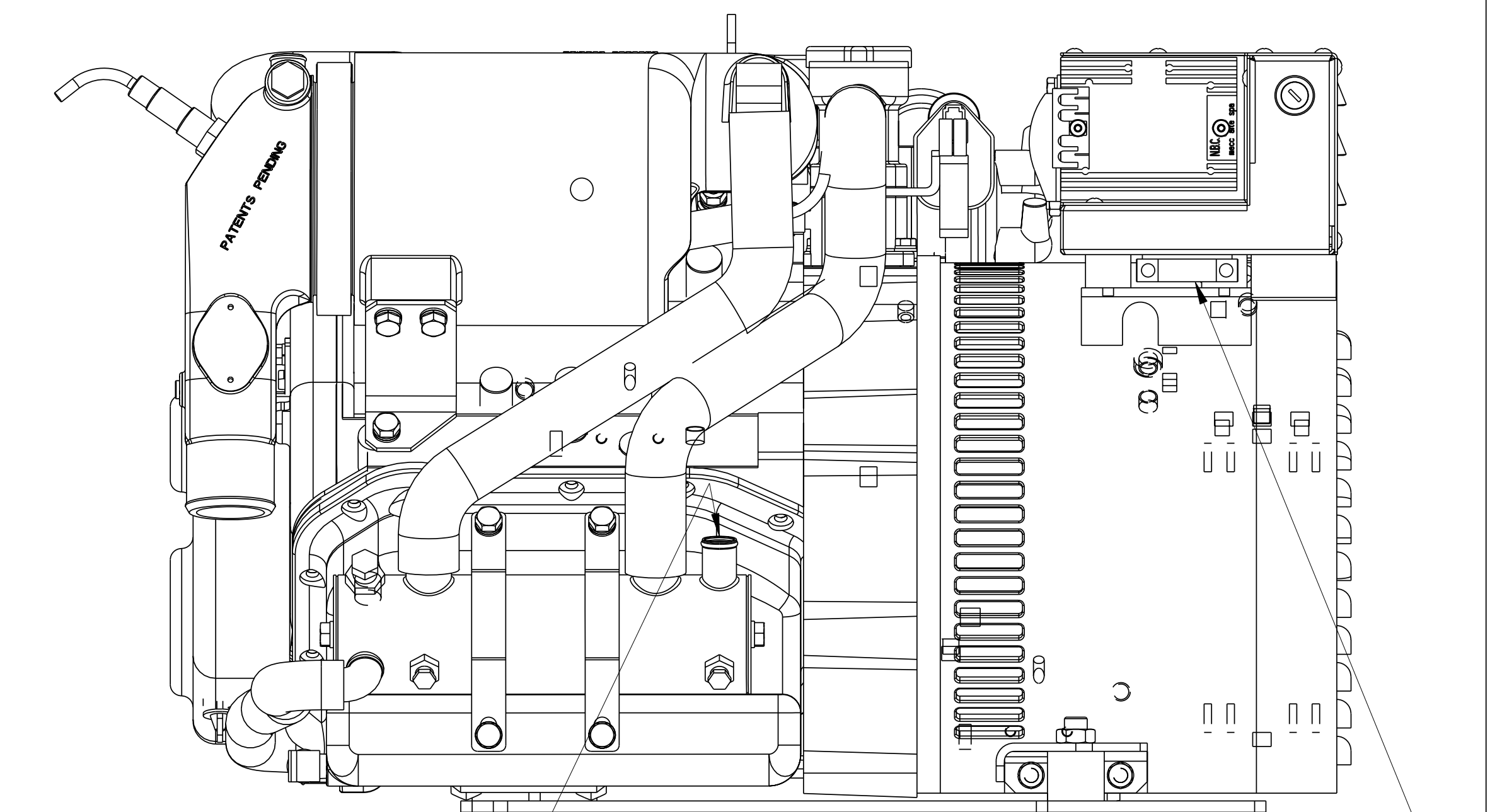
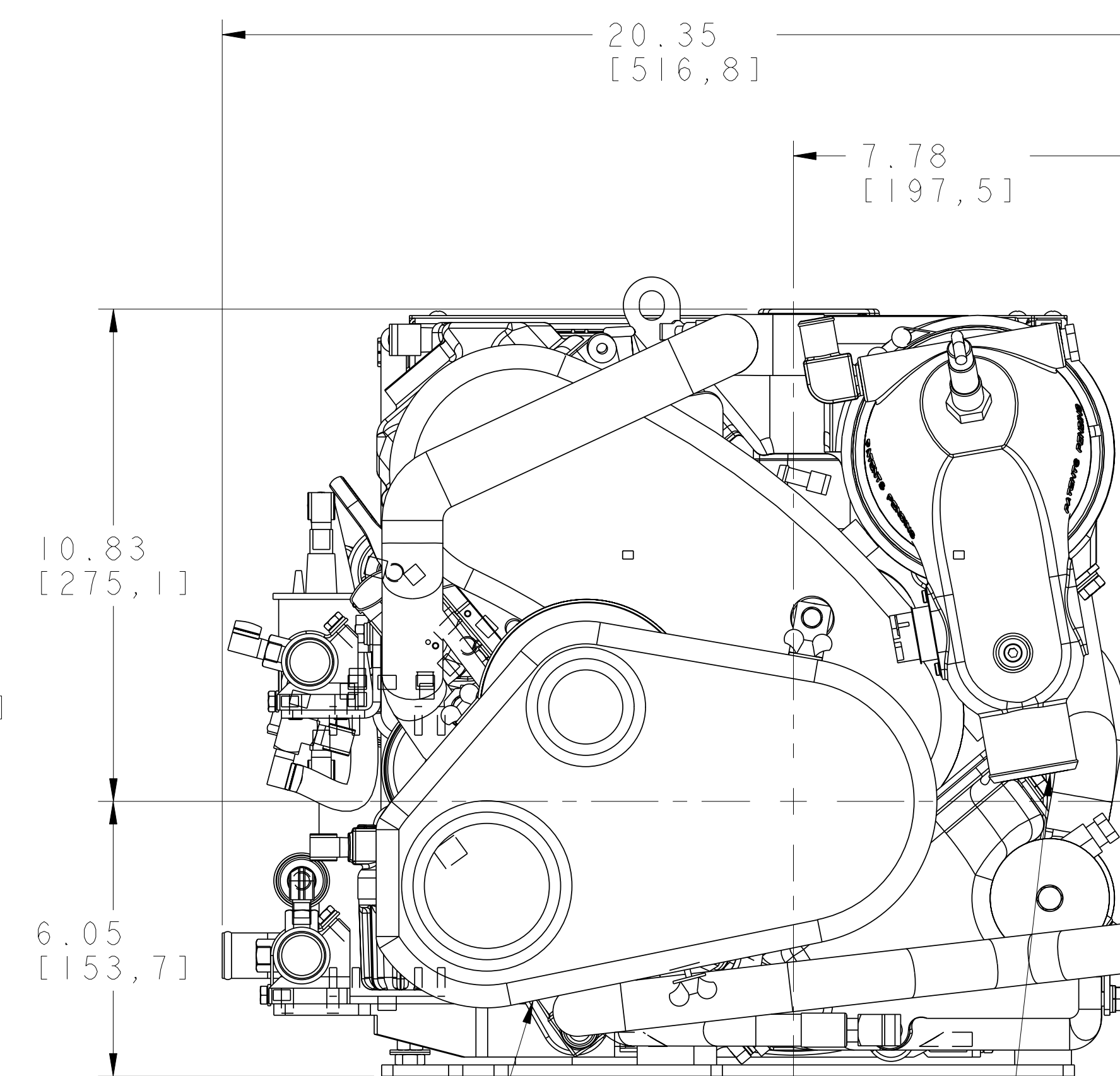
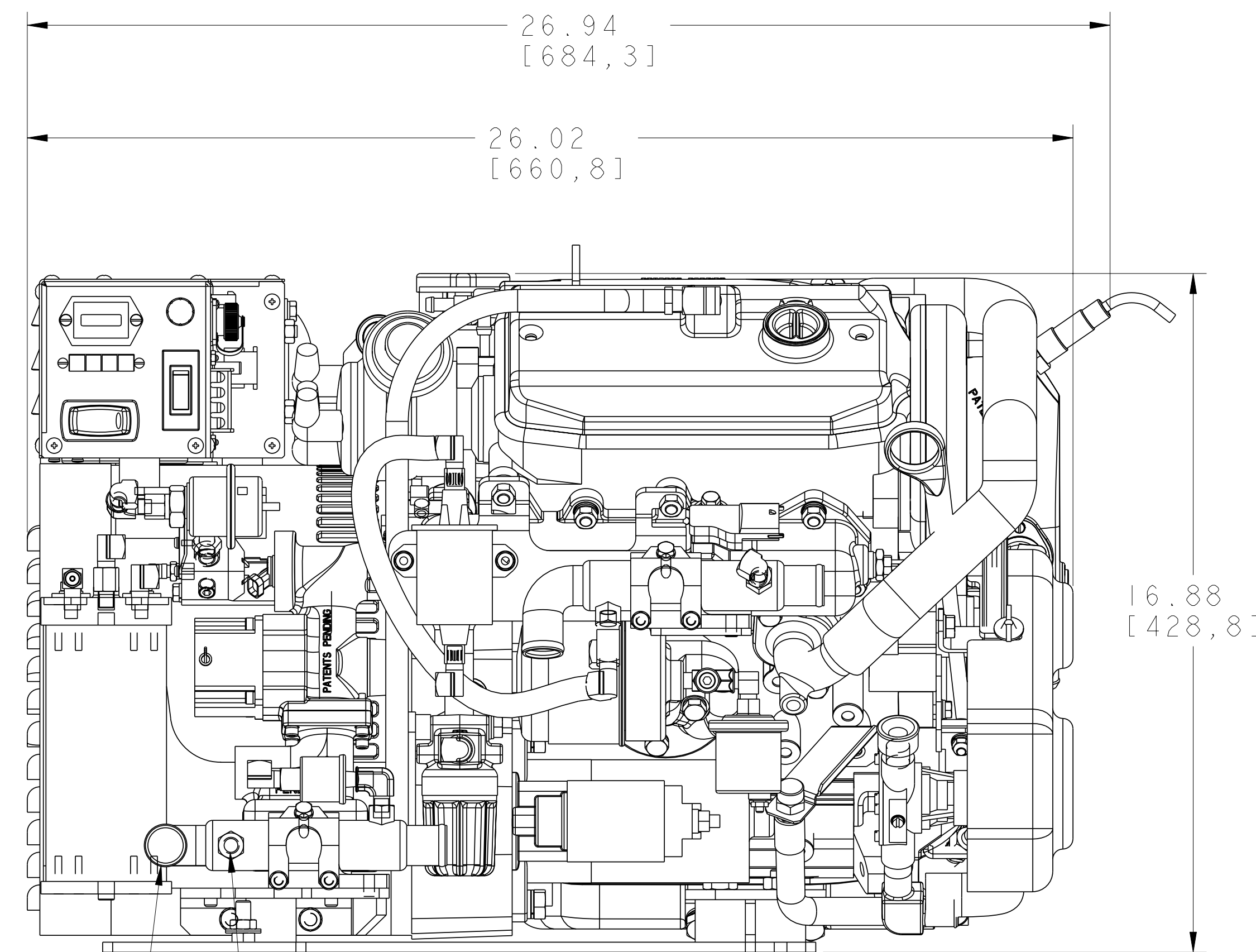


SCALE 0.250



SCALE 0.250



RAW WATER INLET
Ø1.00 I.D. HOSE

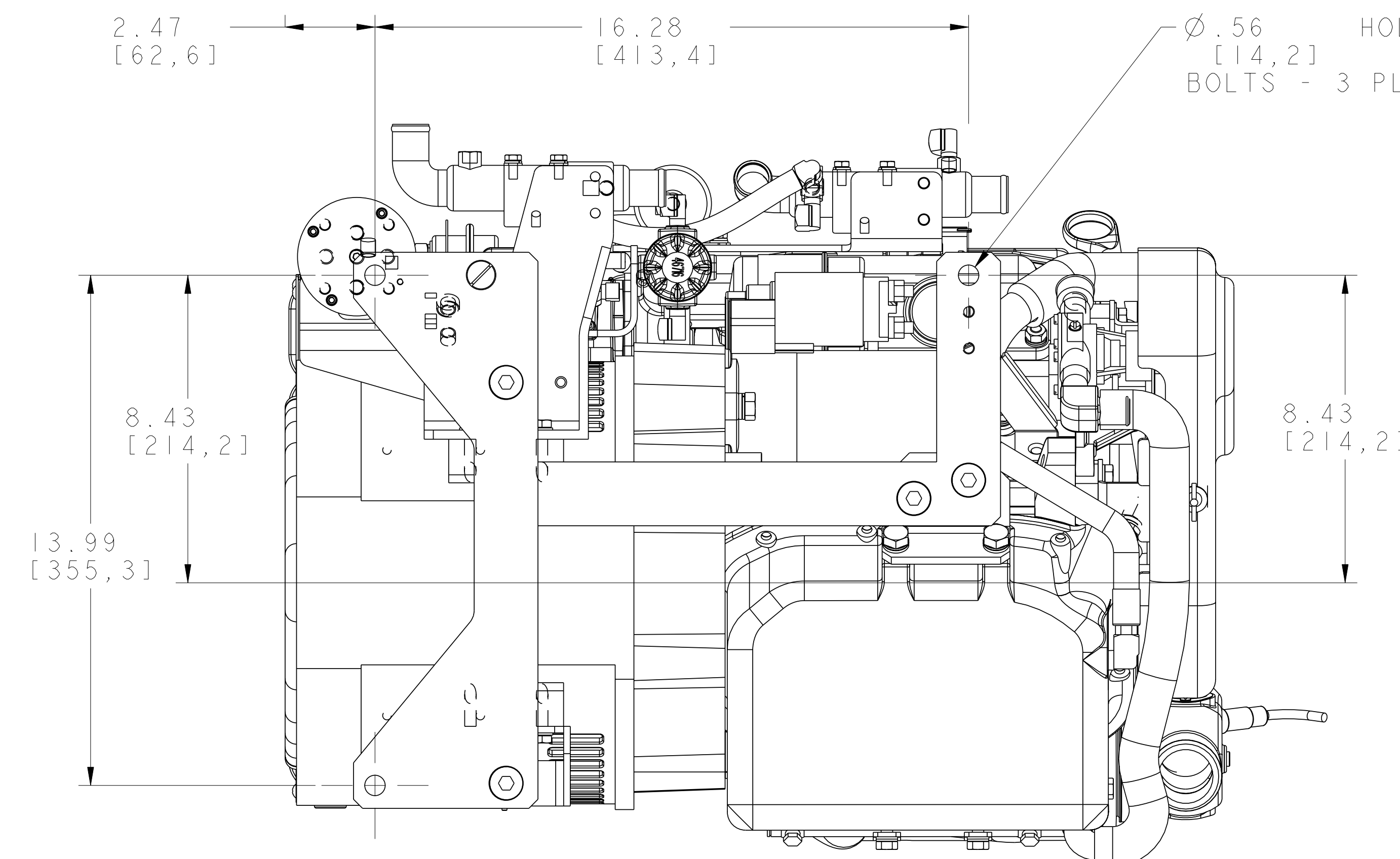
CUSTOMER FUEL CONNECTION
1/8-27 NPT FEMALE

BELT GUARD

EXHAUST OUTLET
Ø2.00 I.D. HOSE

RAW WATER DISCHARGE
Ø.75 I.D. HOSE

A.C. CONNECTION WIRING
OUTLET



NUMBERS IN BRACKETS ARE IN MILLIMETERS

TOLERANCES (UNLESS OTHERWISE NOTED)		WESTERBEKE CORPORATION TAUNTON MA. 02780			
INCHES	MILLIMETERS	TITLE			
.XX : .02	X :	INSTALLATION DRAWING			
.XXX : .005	.X :	6.5KW.SBCG			
CAST : .03	.XX :	DRAN BY	DATE	MATERIAL	
FINISH : 2		APPROVED BY	27/Feb/04		
DIMENSIONS		SCALE	SIZE	DRAWING NUMBER	REV.
INCHES		0.375		49243	A
MILLIMETERS					
(WHEN APPLICABLE)		SHT.	1 OF 2		